

# Plumbing Brass Specification Guide



## The Dial-ese® Cartridge, a Standard in Canadian Plumbing for 60 Years

Since its conception in the early 1940s, the Dial-ese® cartridge has proven to be one of the most reliable cartridges in the market place. Each Dial-ese® cartridge is precision machined from solid brass bar stock. Computerized machining and measurement processes ensure that each cartridge meets our exact and rigorous standards.

Over the past six decades minimal revisions have been implemented to ensure the best possible materials were being used at all times. Graphite components replaced by rubber; felt packings replaced by O-rings. The one feature that has been kept constant is the distinct all brass body and stem design. The strength and durability attained from the brass construction is unmatched, making the Dial-ese® cartridge the ideal component for all commercial and light industrial applications.

For the lasting quality and confidence you deserve, be sure to specify products that include the Dial-ese® cartridge for all of your commercial and light industrial applications.

New - The Dial-ese® cartridge is now available as a 1/4 turn version. Simply add the prefix "QT" to any product utilizing the standard Dial-ese® cartridges to receive the 1/4 turn version. Existing Dial-ese® installations can be transformed in the field by ordering the following parts:

LH 1/4 Turn Dial-ese® - 361226

RH 1/4 Turn Dial-ese® - 361227

**DIAL-ESE HANDLE ADAPTOR**

- Diecast adaptor with accurately formed lip which ensures an easy and ready fit to stem and provides a rigid, strong handle attachment.

**EASY QUICK INSTALLATION**

1. Insert Dial-ese Control Unit.
2. The first operation—tighten upper flat on centerpiece to assure permanent, gasket joint in faucet body.
3. Tightening locknut both prevents water from turning and seals threaded joint between body and control unit.
4. Die-cast adaptor slips easily on stem, broadening on body.

**LOCKNUT**

- Chromium plated brass locknut.
- Tightening locknut is recessed and tapered to assure permanent, gasket joint between body and control unit.
- Water-tight construction.
- Underside of control unit especially punched for additional convenience and safety.

**CENTERPIECE**

- Precision machined brass.
- Produces a vertical uniform pressure on shoulder of sleeve, thereby: a. Calculated most effective size. b. Effecting a perfect seal between sleeve and faucet body. c. Preventing a washer from turning during assembly.
- Because of this design, it is important that it be accomplished in the FIRST operation.
- The flat Dial-ese wrench is also provided to fit the upper flat of this centerpiece.

**SLEEVE**

- Precision machined brass.
- Four circular openings assure even and smoothly to its pre-operation.
- Sleeve design with tapered encasement to fit tapered seat ring permits easy removal of ring and perfect alignment.

**BRASS COMBINATION STEM AND SEAT OPERATION:**

- a. One piece construction and tapered integral seat eliminates screws, washers and encasements; prevents corrosion of small parts and subsequent repair difficulties.
- b. Large diameter bearing surface for packing yields greater strength.
- c. Stem features strength.
- d. Lubricated stem threads—lubricated at factory—axial protected by stem packing, highly polished, practically smooth bearing surface for packing.
- e. Tapered integral seat closes pressure—causing water pressure in ASSIST closing effort.
- f. Small diameter, smoothly machined stem threads, mean less friction.

**LOCKNUT**

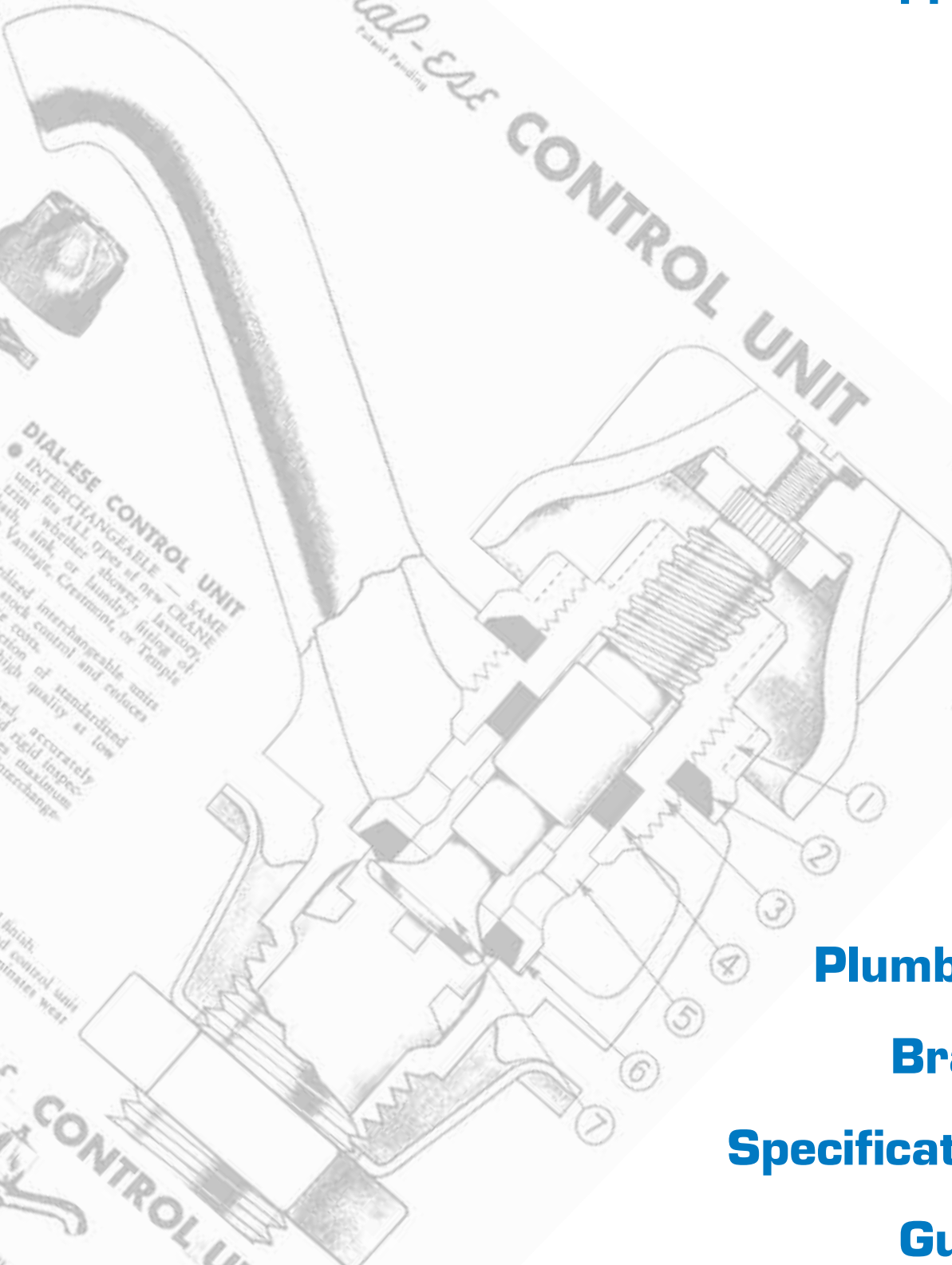
- Graphite in and test product.

**PAC**

# We Appreciate Your Continued Support

## Dial-Ese CONTROL UNIT

NUMBER 9A



### DIAL-ESE

increasing—finger up opening  
closing—operates as easily as  
your radio.  
integral neutral pearl gray color  
coated or painted material—NOT  
excellent stability—shatter resist-  
non-absorbent—the slow heat  
root handle—the slow heat plus  
activity of CHROMEON provides be-  
lating design which provides be-  
and handle temperature  
extremely hot we  
to be frequently  
ditional” han-

### DIAL-ESE CONTROL UNIT

- INTERCHANGEABLE — SAME unit fits ALL types of new COLANE bath, shower, lavatory, the Vanique, Crestmont, or Temple lines.
- Standardized interchangeable units simplify stock control and reduce maintenance costs.
- Mass production of standardized unit permits high quality at low cost.
- Specially designed, accurately gauged machines, and rigid inspection procedure, assures maximum standardization and interchange-ability of units.

### BODY

High quality cast brass.  
light and durable Chromium plated finish.  
Permanent joint between body and control unit  
removable seat unnecessary and eliminates wear

### DIAL-ESE CONTROL UNIT



LET'S EXAMINE  
Dial-Ese CONTROL  
OPERATING  
FINISH

A few turns on the fully recessed chromium plated handle screw completes the installation by insuring a strong permanent handle attachment.  
Easy operating tip control is lock desired

## Plumbing Brass Specification Guide

PBSG-001

### Flush Valves

402VB	4
404VB	6
414VB	8
425VB	10
451VB	12
452VB	14
534VB	16
544VB	18
571VB	20
572VB	22

### Cranada® Line

B144	24
B540	26
B548	28

### Lavatory Fittings, 4" Centreset

P1005	30
P1010	32
P1020	34
P1030	36
P1040	38
P1050	40
P1060	42
P1070	44

### Lavatory Fittings, 4" Centreset with Pop-Up Waste

P1105	46
P1110	48
P1120	50
P1130	52
P1140	54
P1150	56
P1160	58
P1170	60

### Lavatory Fittings, 4" Centreset with Gooseneck or Swing Spout

P1205	62
P1210	64
P1220	66
P1230	68
P1231	70
P1232	72
P1240	74
P1250	76
P1260	78
P1270	80

### Lavatory Fittings, 8" Centreset

P1405	82
P1410	84
P1420	86
P1430	88
P1440	90
P1450	92
P1460	94
P1470	96

### Lavatory Fittings, 8" Centreset with Pop-Up Waste

P1505	98
P1510	100
P1520	102
P1530	104
P1540	106
P1550	108
P1560	110
P1570	112

### Lavatory Fittings, 8" Centreset with Gooseneck Spout

P1605	114
P1610	116
P1620	118
P1630	120
P1640	122
P1650	124
P1660	126
P1670	128

### Lavatory Fittings, Single Shank

P1805	130
P1810	132
P1815	134
P1820	136
P1830	138
P1850	140
P1870	142

### Service Sink Fittings, Wall Mount

P2230-RC	144
P2230-RC-VB	146
P2330	148
P2340	150
P2360	152
P2370	154
P2430	156
P2430-VB	158
P2440	160
P2440-VB	162
P2460	164
P2460-VB	166
P2470	168
P2470-VB	170

### Single Sink Fittings, Wall Mount

P2605	172
P2630	174
P2650	176
P2670	178

### Sink Fittings, Deck Mount

P2705	180
P2710	182
P2720	184
P2722	186
P2723	188
P2730	190
P2740	192
P2750	194
P2760	196
P2770	198

**Sink Fittings, Wall Mount**

P3130	200
P3140	202
P3160	204
P3170	206
P3230	208
P3240	210
P3260	212
P3270	214
P3330	216
P3340	218
P3360	220
P3370	222

**Bedpan Cleansers**

P3402	224
P3403	226
P3471	228
P3472	230
P3475	232

**Pedal Valves**

P3501	234
P3502	236
P3503	238
P3504	240

**Knee Action Mixing Valves**

P3601	242
P3602	244

**Spouts for Pedal Valves**

P3701	246
P3702	248
P3703	250

**Waste Assemblies**

P3901	252
P3902	254
P3903	256
P3904	258
P3905	260
P3906	262
P3907	264
P3908	266
P3909	268

**P-Traps**

P4001	270
P4002	272
P4004	274
P4005	276
P4006	278
P4007	280
P4008	282

**Backflow Preventers**

P4101	284
P4102	286
P4103	288
P4104	290

**Supply Stops**

P4261	292
P4262	294
P4262-20	296
P4263	298

**Urinal Piping Supplies**

P4501	300
P4502	302
P4503	304
P4504	306
P4505	308
P4511	310
P4512	312
P4513	314
P4514	316
P4521	318
P4522	320
P4523	322
P4524	324
P4532	326
P4541	328
P4542	330

**Shower Heads**

P4702	332
-------	-----

**Ballcocks**

P4801	334
P4808	336

**Impulse Infrared Kits**

P5500	338
P5505	340

**Solitaire® Line**

S1905	342
S1910	344
S3910	346
S5910	348
S5915	350

**Components**

Handles	352
Outlets	354
Cartridges	356
Repair Kits	357
Spouts	358
Cover Plate 8"	186
Cover Plate 4"	188

# 402VB Flush Valve, Exposed W/C



**402VB Specification:** Commercial grade exposed water closet flush valve with vacuum breaker. Heavy duty cast brass body construction has a resilient polished chrome plated finish. 1" NPT female inlet with 1" copper sweat adaptor. Standard metal oscillating handle.

**Maximum Operating Pressure Rating** ..... 100 PSI (700 KPa)

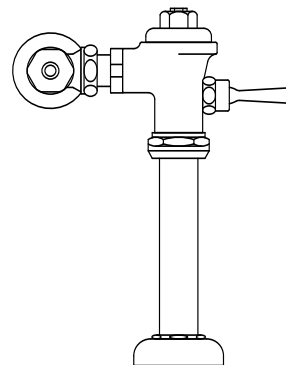
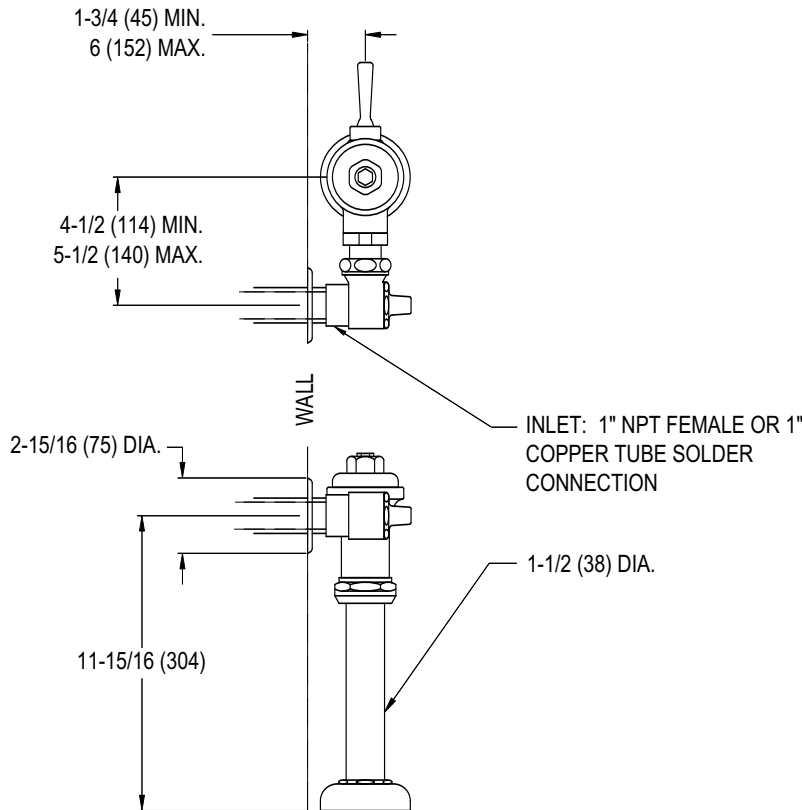
**Minimum Operating Pressure Rating** ..... 10 PSI (70 KPa)

**Water Volume Range/Flush** ..... 0.8 - 5.3 Gal @ 80 PSI  
(3.0 - 20.0 L @ 690 KPa)

**Shipping Weight** ..... 6.2 Lbs (2.8 Kg)



**402VB Model Shown**



*Dimensions shown in inches (mm) are for reference only and are subject to change.*

**Ordering Code:**

**402VB -**

**Fitting Options**

- 1/2" Push Button **B**
- One Wall Bumper **E**
- Two Wall Bumpers **F**
- Vandal Resistant Bumper on Stop **H**
- Vandal Resistant Cap on Stop **J**
- Marine Valve **MAR**
- Non-Hold Open Feature **T5**

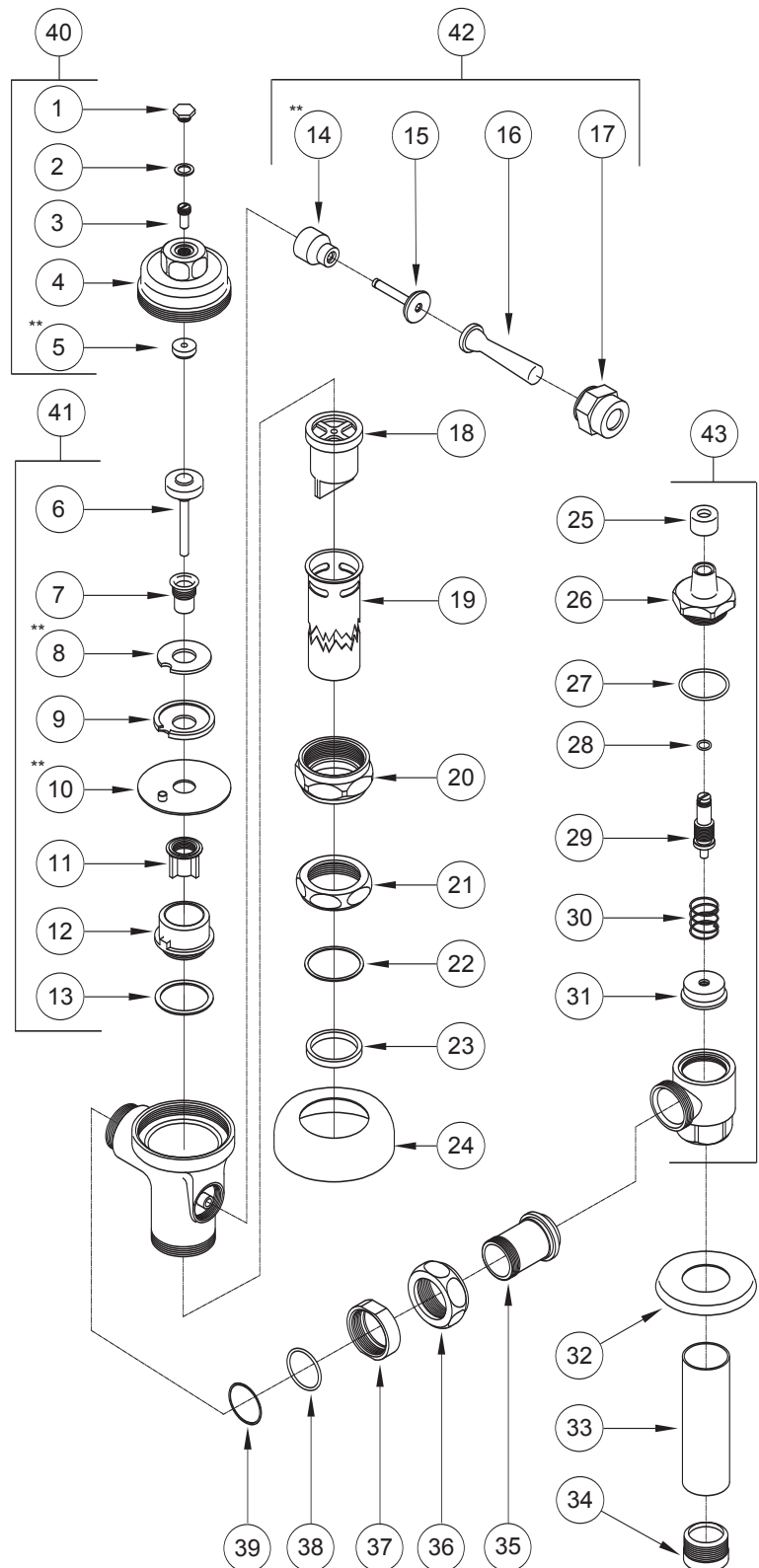
- T6**  Cast Flange Set Screw
- T35**  Bumper on Flush Connection
- T36**  Wall Support for Flush Connection
- 977**  Diverter Valve
- 977-1**  Diverter Valve w/ Deoseptic Injector
- IMP**  Impulse Battery Operated Flush

\*May Choose More Than One Fitting Option

#	Description	Part #*
1	Cap	302131
2	Washer	302009
3	Regulating Screw	302011
4	Cover	302106P
5	Packing	302008
6	Auxiliary Valve	039049-BP5
7	Diaphragm Bushing	302014
8	Auxiliary Valve Seat	302013
9	Seat Holder	302107
10	Diaphragm	302075
11	Guide	302659
12	Seat	302660
13	Seat Washer	302077
14	Flexer	302022
15	Oper. Stem w/ Nylon Tip	039048-BP5
16	Handle	301212
17	Handle Nut	302096
18	Sleeve w/ Insert	302002
19	Vented Tailpiece	302204
20	Cowl Nut	302001B
21	Coupling Nut	300840
22	Friction Ring	300276
23	Slip Joint Washer	301109
24	Escutcheon	301238
25	Rubber Bumper	301205
26	Bonnet	302148
27	Bonnet O-Ring	305601
28	O-Ring	301200
29	Stem	302149
30	Spring	302874
31	Disc w/ Insert	302095
32	Flange	301235
33	Cover Tube	302169
34	Sweat Adaptor	303058
35	Tailpiece	300760
36	Union Nut	302103
37	Adjusting Nut	300759
38	Clamping Ring	300758
39	O-Ring	300761
40	Cover Assy. Repair Kit	352305
41	Diaphragm Operation Assy.	039008
42	Handle Assy	352310
43	Complete Stop Assy	D182

\*\* Presto Repair Kit, (5, 8, 10, 14) 039002

\*BPx denotes the bulk pack quantity



# 404VB Flush Valve, Exposed W/C



**404VB Specification:** Commercial grade exposed water closet flush valve with vacuum breaker for back inlet water closet. Heavy duty cast brass body construction has a resilient polished chrome plated finish. 1" NPT female inlet with 1" copper sweat adaptor. Standard metal oscillating handle.

**Maximum Operating Pressure Rating** ..... 100 PSI (700 KPa)

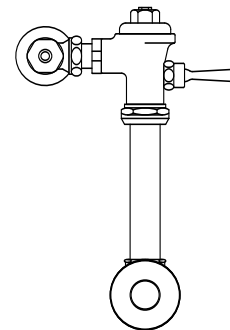
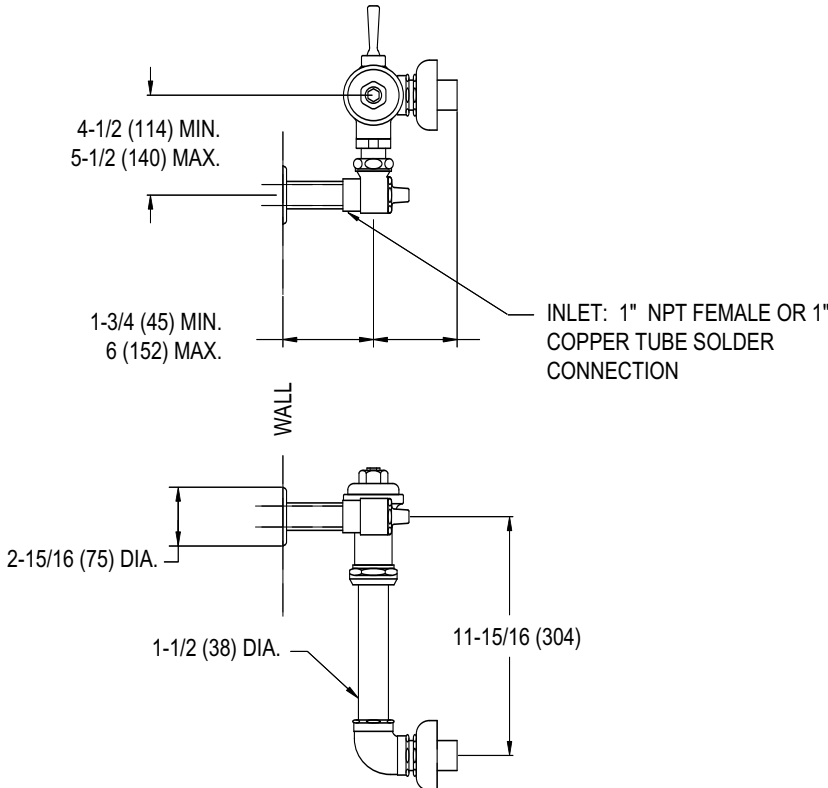
**Minimum Operating Pressure Rating** ..... 10 PSI (70 KPa)

**Water Volume Range/Flush** ..... 0.8 - 5.3 Gal @ 80 PSI  
(3.0 - 20.0 L @ 690 KPa)

**Shipping Weight** ..... 8.0 Lbs (3.6 Kg)



**404VB Model Shown**



*Dimensions shown in inches (mm) are for reference only and are subject to change.*

**Ordering Code:**

**404VB -**

**Fitting Options**

- 1/2" Push Button **B**
- One Wall Bumper **E**
- Two Wall Bumpers **F**
- Vandal Resistant Bumper on Stop **H**
- Vandal Resistant Cap on Stop **J**
- Marine Valve **MAR**
- Non-Hold Open Feature **T5**

- T6**  Cast Flange Set Screw
- T35**  Bumper on Flush Connection
- T36**  Wall Support for Flush Connection
- IMP**  Impulse Battery Operated Flush

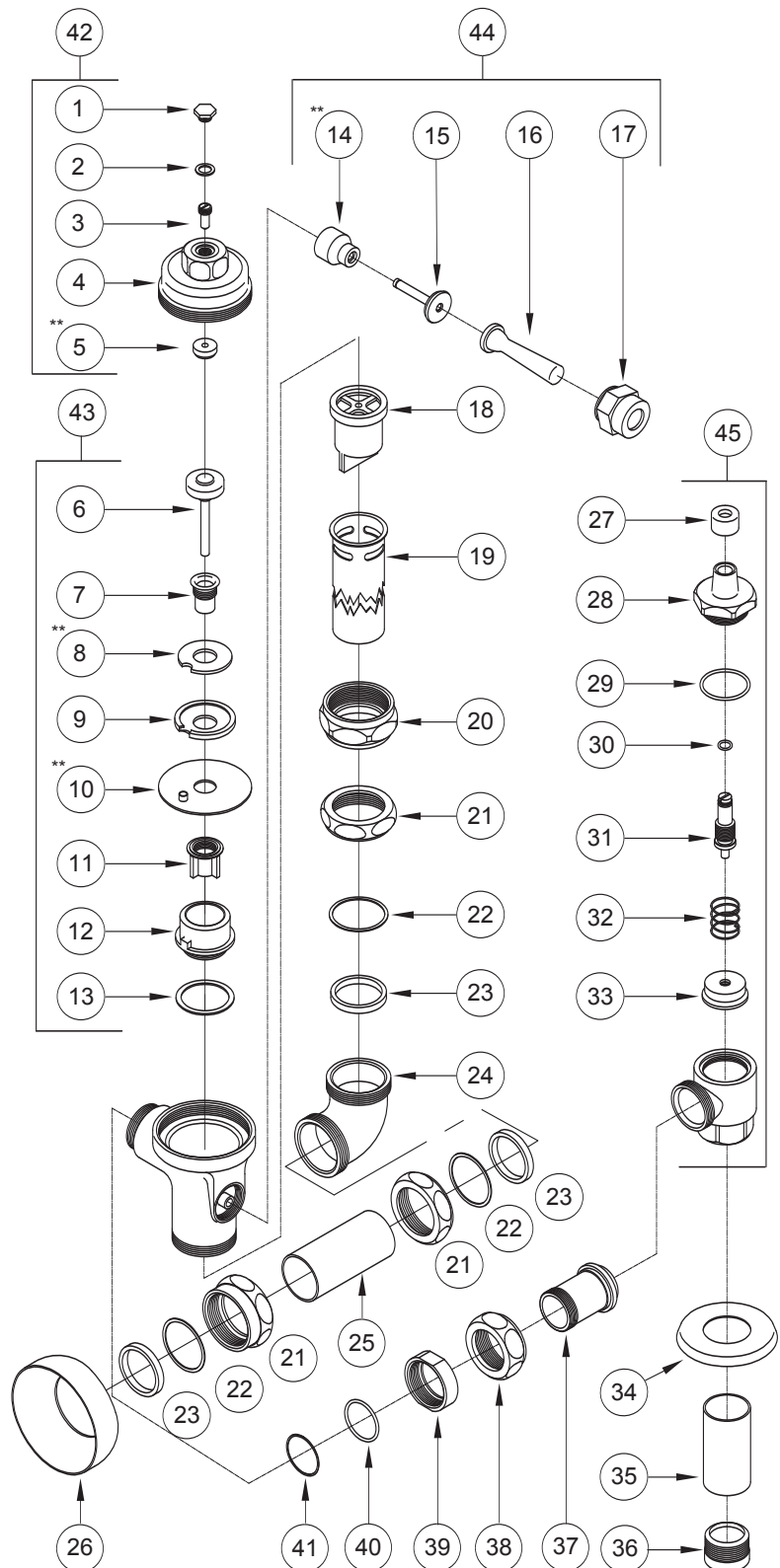
\*May Choose More Than One Fitting Option



#	Description	Part #*
1	Cap	302131
2	Washer	302009
3	Regulating Screw	302011
4	Cover	302106P
5	Packing	302008
6	Auxiliary Valve	039049-BP5
7	Diaphragm Bushing	302014
8	Auxiliary Valve Seat	302013
9	Seat Holder	302107
10	Diaphragm	302075
11	Guide	302659
12	Seat	302660
13	Seat Washer	302077
14	Flexer	302022
15	Oper. Stem w/ Nylon Tip	039048-BP5
16	Handle	301212
17	Handle Nut	302096
18	Sleeve w/ Insert	302002
19	Vented Tailpiece	302204
20	Cowl Nut	302001B
21	Coupling Nut	300840
22	Friction Ring	300276
23	Slip Joint Washer	301109
24	Elbow	309781
25	Horizontal Tube	309792
26	Escutcheon	301238
27	Rubber Bumper	301205
28	Bonnet	302148
29	Bonnet O-Ring	305601
30	O-Ring	301200
31	Stem	302149
32	Spring	302874
33	Disc w/ Insert	302095
34	Flange	301235
35	Cover Tube	302169
36	Sweat Adaptor	303058
37	Tailpiece	300760
38	Union Nut	302103
39	Adjusting Nut	300759
40	Clamping Ring	300758
41	O-Ring	300761
42	Cover Assy. Repair Kit	352305
43	Diaphragm Operation Assy.	039008
44	Handle Assy.	352310
45	Complete Stop Assy.	D182

\*\* Presto Repair Kit, 1" (5, 8, 10, 14) 039002

\*BPx denotes the bulk pack quantity



# 414VB Flush Valve, Exposed W/C



**414VB Specification:** Commercial grade exposed water closet flush valve with vacuum breaker and 24" flush pipe. Heavy duty cast brass body construction has a resilient polished chrome plated finish. 1" NPT female inlet with 1" copper sweat adaptor. Standard metal oscillating handle.

**Maximum Operating Pressure Rating** ..... 100 PSI (700 KPa)

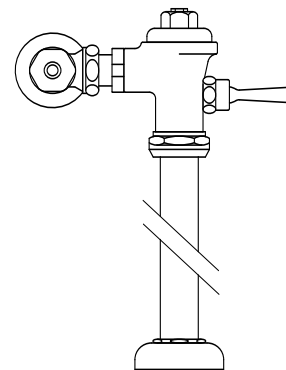
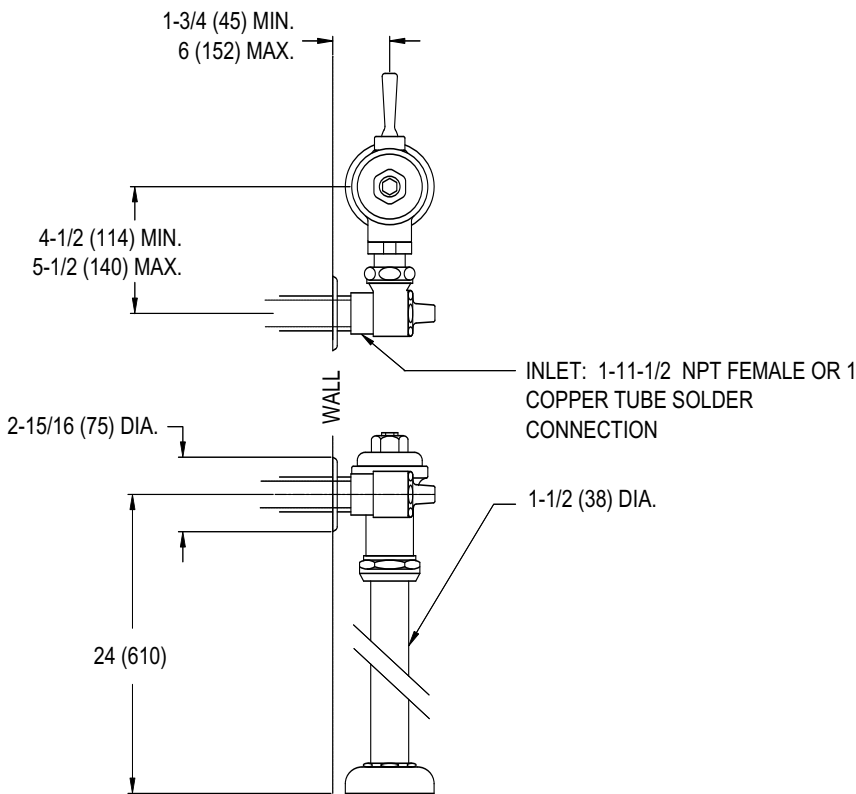
**Minimum Operating Pressure Rating** ..... 10 PSI (70 KPa)

**Water Volume Range/Flush** ..... 0.8 - 5.3 Gal @ 80 PSI  
(3.0 - 20.0 L @ 690 KPa)

**Shipping Weight** ..... 7.1 Lbs (3.2 Kg)



**414VB Model Shown**



*Dimensions shown in inches (mm) are for reference only and are subject to change.*

**Ordering Code:**

**414VB -**

**Fitting Options**

- 1/2" Push Button **B**
- One Wall Bumper **E**
- Two Wall Bumpers **F**
- Vandal Resistant Bumper on Stop **H**
- Vandal Resistant Cap on Stop **J**
- Marine Valve **MAR**
- Non-Hold Open Feature **T5**

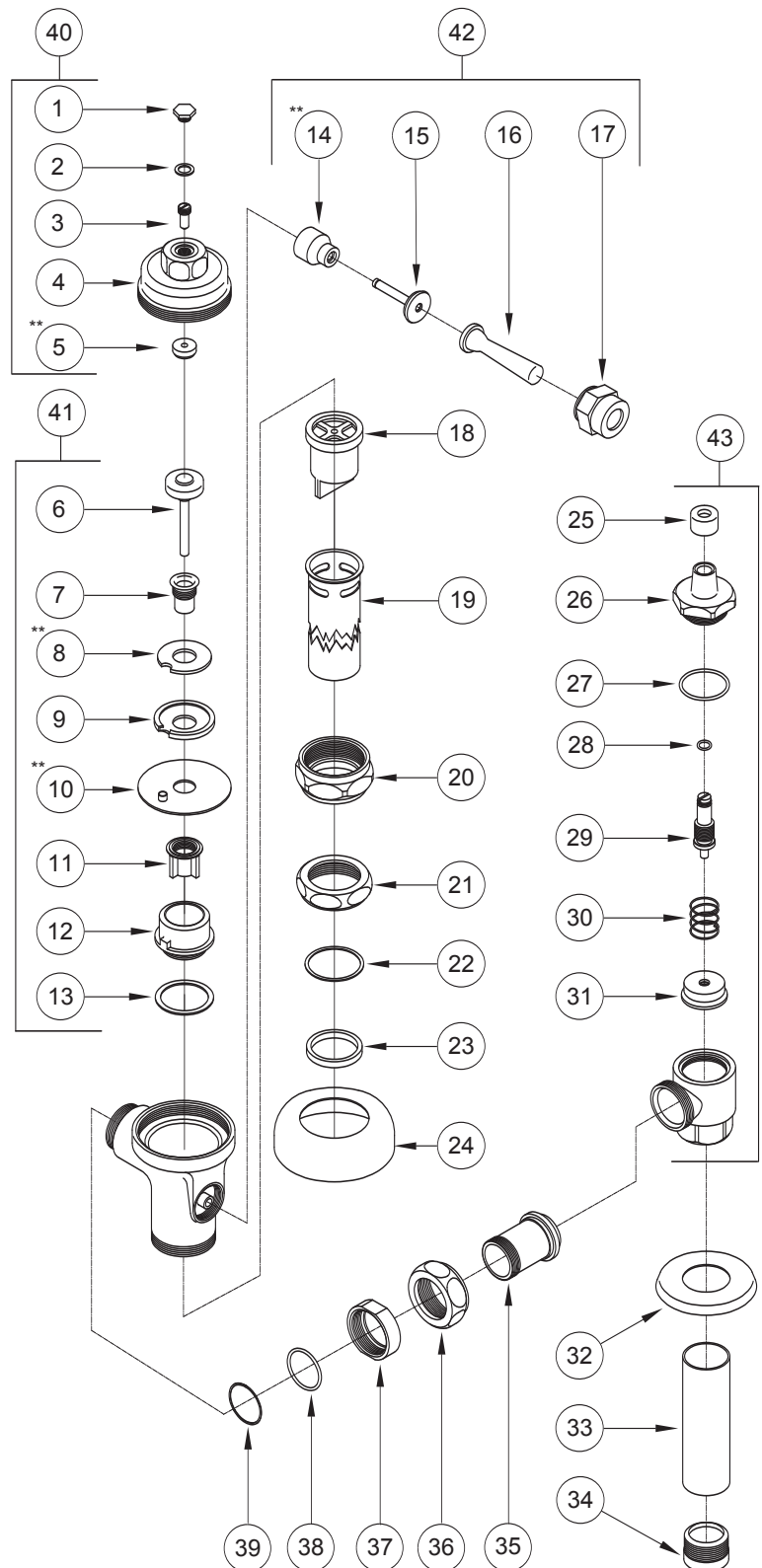
- T6** Cast Flange Set Screw
- T35** Bumper on Flush Connection
- T36** Wall Support for Flush Connection
- 977** Diverter Valve
- 977-1** Diverter Valve w/ Deoseptic Injector
- IMP** Impulse Battery Operated Flush

\*May Choose More Than One Fitting Option

#	Description	Part #*
1	Cap	302131
2	Washer	302009
3	Regulating Screw	302011
4	Cover	302106P
5	Packing	302008
6	Auxiliary Valve	039049-BP5
7	Diaphragm Bushing	302014
8	Auxiliary Valve Seat	302013
9	Seat Holder	302107
10	Diaphragm	302075
11	Guide	302659
12	Seat	302660
13	Seat Washer	302077
14	Flexer	302022
15	Oper. Stem w/ Nylon Tip	039048-BP5
16	Handle	301212
17	Handle Nut	302096
18	Sleeve w/ Insert	302002
19	Vented Tailpiece	302211
20	Cowl Nut	302001B
21	Coupling Nut	300840
22	Friction Ring	300276
23	Slip Joint Washer	301109
24	Escutcheon	301238
25	Rubber Bumper	301205
26	Bonnet	302148
27	Bonnet O-Ring	305601
28	O-Ring	301200
29	Stem	302149
30	Spring	302874
31	Disc w/ Insert	302095
32	Flange	301235
33	Cover Tube	302169
34	Sweat Adaptor	303058
35	Tailpiece	300760
36	Union Nut	302103
37	Adjusting Nut	300759
38	Clamping Ring	300758
39	O-Ring	300761
40	Cover Assy. Repair Kit	352305
41	Diaphragm Operation Assy.	039008
42	Handle Assy.	352310
43	Complete Stop Assy.	D182

\*\* Presto Repair Kit, 1" (5, 8, 10, 14) 039002

\*BPx denotes the bulk pack quantity



# 425VB Flush Valve, Exposed W/C



**425VB Specification:** Commercial grade exposed water closet flush valve with vacuum breaker. Includes 24" flush pipe with 1-1/2" offset. Heavy duty cast brass body construction has a resilient polished chrome plated finish. 1" NPT female inlet with 1" copper sweat adaptor. Standard metal oscillating handle.

**Maximum Operating Pressure Rating** ..... 100 PSI (700 KPa)

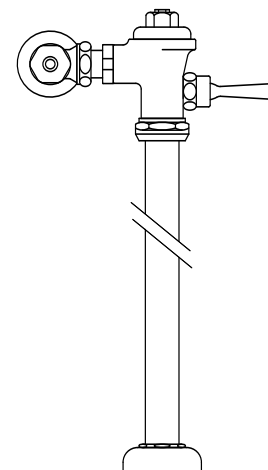
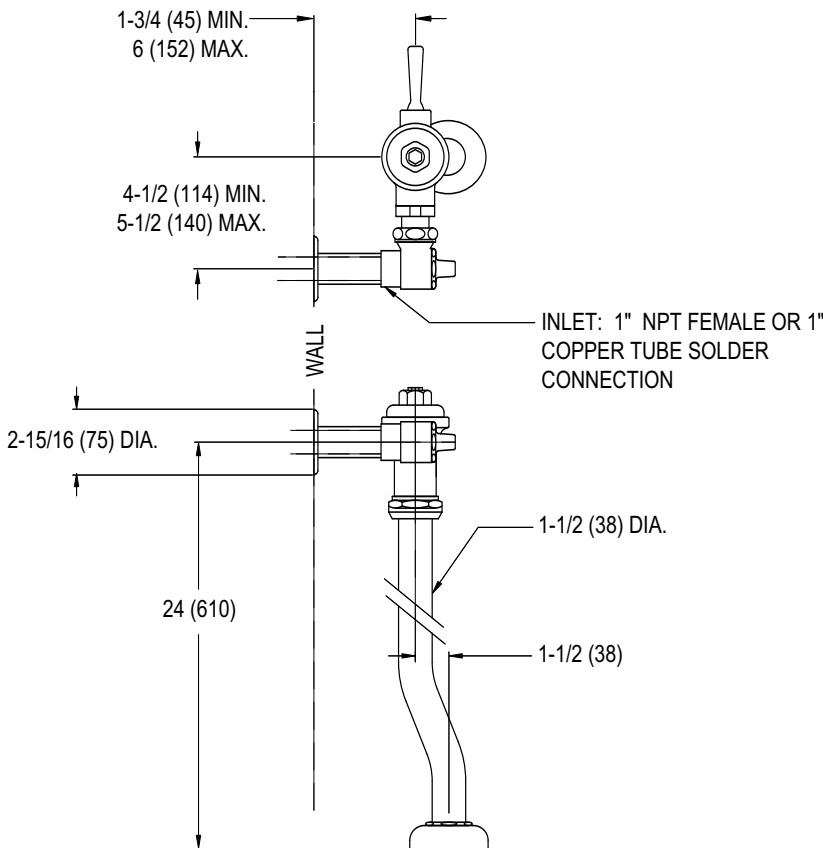
**Minimum Operating Pressure Rating** ..... 10 PSI (70 KPa)

**Water Volume Range/Flush** ..... 0.8 - 5.3 Gal @ 80 PSI  
(3.0 - 20.0 L @ 690 KPa)

**Shipping Weight** ..... 9.0 Lbs (4.1 Kg)



**425VB Model Shown**



*Dimensions shown in inches (mm) are for reference only and are subject to change.*

**Ordering Code:**

**425VB -**

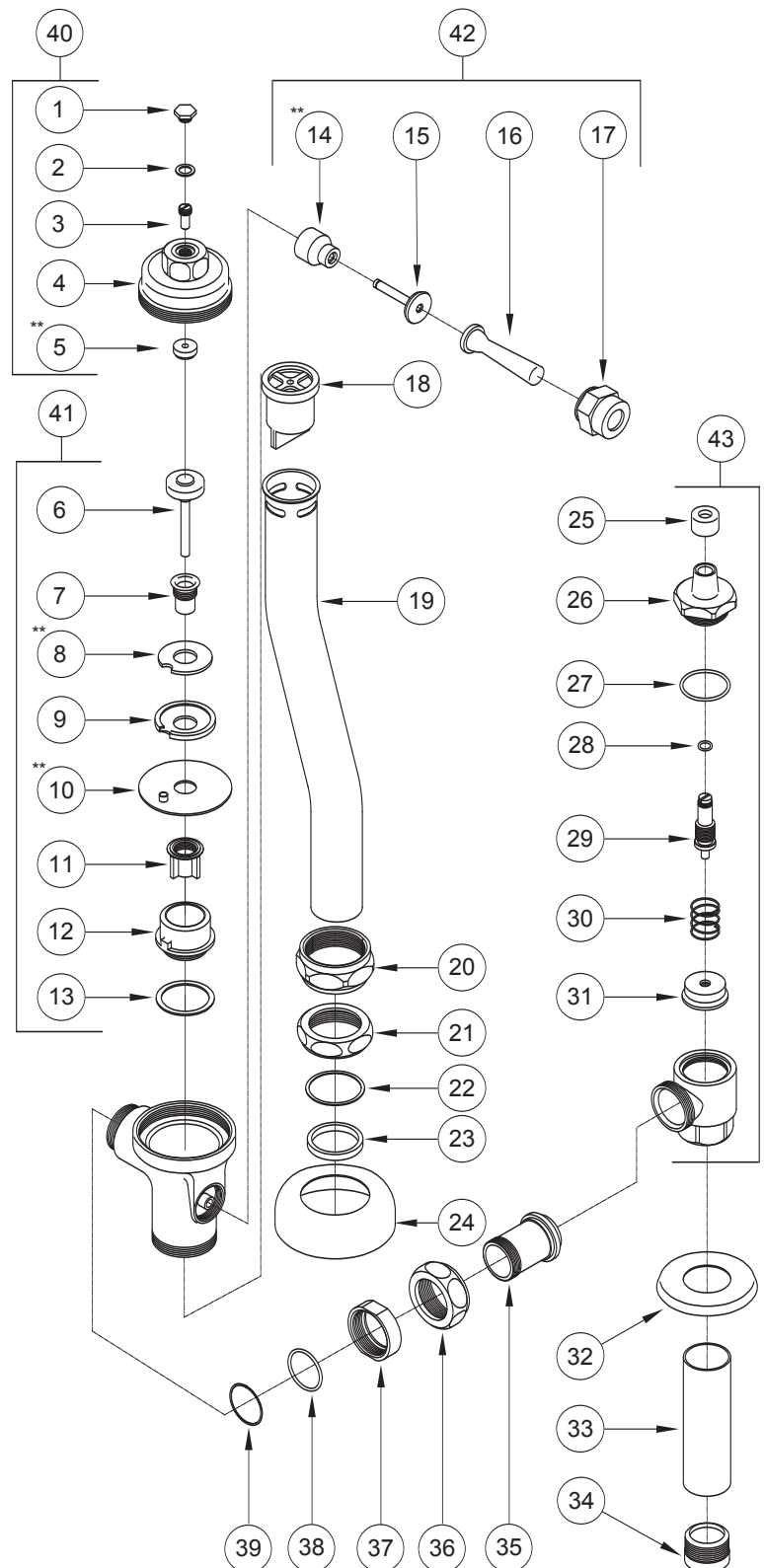
<b>Fitting Options</b>		
1/2" Push Button	<b>B</b>	<input type="checkbox"/>
One Wall Bumper	<b>E</b>	<input type="checkbox"/>
Two Wall Bumpers	<b>F</b>	<input type="checkbox"/>
Vandal-Proof Cap on Stop	<b>J</b>	<input type="checkbox"/>
Marine Valve	<b>MAR</b>	<input type="checkbox"/>
Non-Hold Open Feature	<b>T5</b>	<input type="checkbox"/>
Cast Wall Flange w/ Set Screw	<b>T6</b>	<input type="checkbox"/>
		<input type="checkbox"/> <b>T35</b> Bumper on Flush Connection
		<input type="checkbox"/> <b>T36</b> Wall Support for Flush Connection

\*May Choose More Than One Fitting Option

#	Description	Part #*
1	Cap	302131
2	Washer	302009
3	Regulating Screw	302011
4	Cover	302106P
5	Packing	302008
6	Auxiliary Valve	039049-BP5
7	Diaphragm Bushing	302014
8	Auxiliary Valve Seat	302013
9	Seat Holder	302107
10	Diaphragm	302075
11	Guide	302659
12	Seat	302660
13	Seat Washer	302077
14	Flexer	302022
15	Oper. Stem w/ Nylon Tip	039048-BP5
16	Handle	301212
17	Handle Nut	302096
18	Sleeve w/ Insert	302002
19	Vented Tailpiece, Offset	302004
20	Cowl Nut	302001B
21	Coupling Nut	300840
22	Friction Ring	300276
23	Slip Joint Washer	301109
24	Escutcheon	301238
25	Rubber Bumper	301205
26	Bonnet	302148
27	Bonnet O-Ring	305601
28	O-Ring	301200
29	Stem	302149
30	Spring	302874
31	Disc w/ Insert	302095
32	Flange	301235
33	Cover Tube	302169
34	Sweat Adaptor	303058
35	Tailpiece	300764
36	Union Nut	302103
37	Adjusting Nut	300759
38	Clamping Ring	300758
39	O-Ring	300761
40	Cover Assy. Repair Kit	352305
41	Diaphragm Operation Assy.	039008
42	Handle Assy.	352310
43	Complete Stop Assy.	D182

\*\* Presto Repair Kit, 1" (5, 8, 10, 14) 039002

\*BPx denotes the bulk pack quantity



# 451VB Flush Valve, Exposed Urinal



**451VB Specification:** Commercial grade exposed urinal flush valve with vacuum breaker and 3/4" outlet. Heavy duty cast brass body construction has a resilient polished chrome plated finish. 3/4" NPT female inlet with 3/4" copper sweat adaptor. Standard metal oscillating handle.

**Maximum Operating Pressure Rating** ..... 100 PSI (700 KPa)

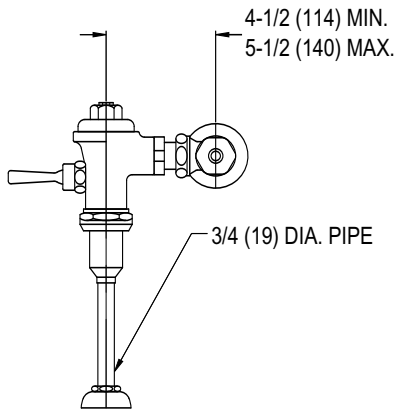
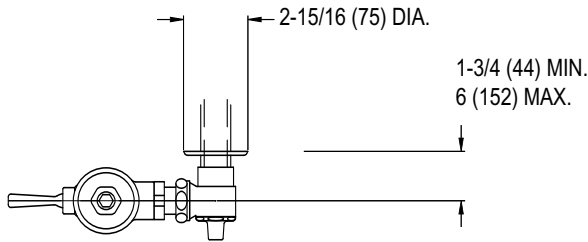
**Minimum Operating Pressure Rating** ..... 10 PSI (70 KPa)

**Water Volume Range/Flush** ..... 0.9 - 6.8 Gal @ 80 PSI  
(3.6 - 26.0 L @ 690 KPa)

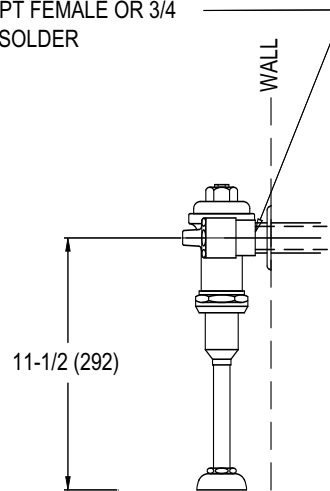
**Shipping Weight** ..... 6.4 Lbs (2.9 Kg)



**451VB Model Shown**



INLET: 3/4-14 NPT FEMALE OR 3/4  
COPPER TUBE SOLDER  
CONNECTION



*Dimensions shown in inches (mm) are for reference only and are subject to change.*

**Ordering Code:**

**451VB -**

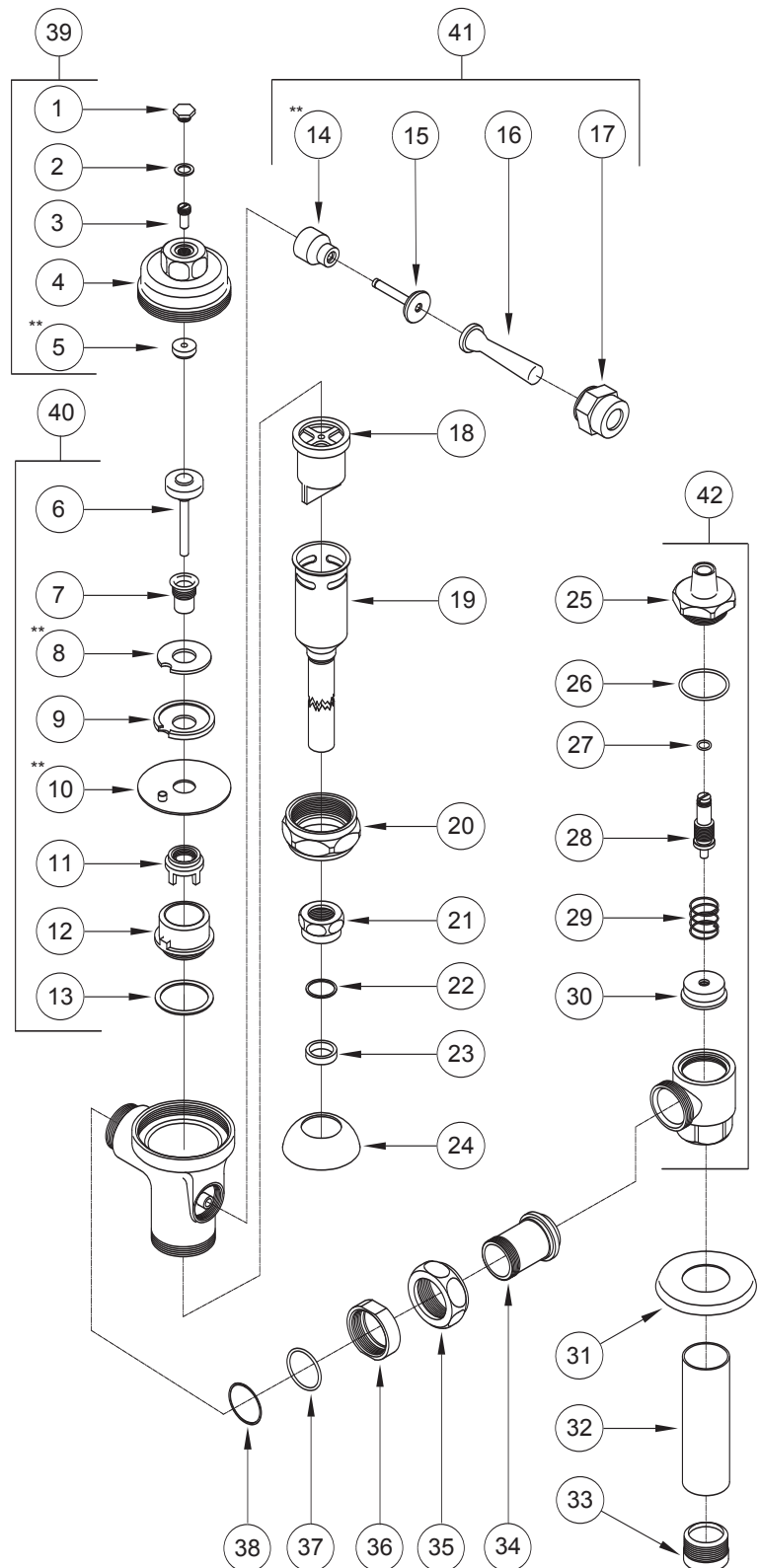
**Fitting Options**

- B** 1/2" Push Button
- J** Vandal Resistant Cap on Stop
- T5** Non-Hold Open Feature
- T6** Cast Flange Set Screw
- T36** Wall Support
- IMP** Impulse Battery Operated Flush

#	Description	Part #*
1	Cap	302131
2	Washer	302009
3	Regulating Screw	302011
4	Cover	302106P
5	Packing	302008
6	Auxiliary Valve	039049-BP5
7	Diaphragm Bushing	302014
8	Auxiliary Valve Seat	302013
9	Seat Holder	302107
10	Diaphragm	302063
11	Guide	302115
12	Seat	302660
13	Seat Washer	302077
14	Flexer	302022
15	Oper. Stem w/ Nylon Tip	039048-BP5
16	Handle	301212
17	Handle Nut	302096
18	Sleeve w/ Insert	302002
19	Vented Tailpiece	353073
20	Cowl Nut	302001B
21	Coupling Nut	300796
22	Friction Ring	301243
23	Slip Joint Washer	301253
24	Escutcheon	300232
25	Bonnet	302148
26	Bonnet O-Ring	305601
27	O-Ring	301200
28	Stem	302149
29	Spring	302874
30	Disc w/ Insert	302095
31	Flange	301254
32	Cover Tube	302170
33	Sweat Adaptor	303057
34	Tailpiece	300760
35	Union Nut	302103
36	Adjusting Nut	300759
37	Clamping Ring	300758
38	O-Ring	300761
39	Cover Assy. Repair Kit	352305
40	Diaphragm Operation Assy.	039007
41	Handle Assy.	352310
42	Complete Stop Assy.	D184

\*\* Presto Repair Kit (5, 8, 10, 14) 039003

\*BPx denotes the bulk pack quantity



# 452VB Flush Valve, Exposed Urinal



**452VB Specification:** Commercial grade exposed urinal flush valve with vacuum breaker and 1-1/4" outlet. Heavy duty cast brass body construction has a resilient polished chrome plated finish. 1" NPT female inlet with 1" copper sweat adaptor. Standard metal oscillating handle.

**Maximum Operating Pressure Rating** ..... 100 PSI (700 KPa)

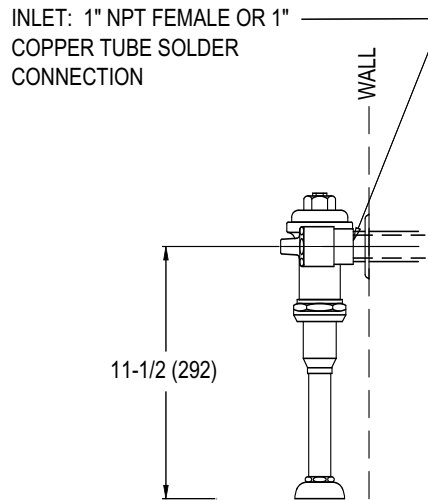
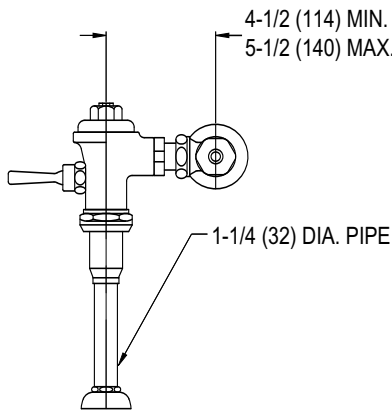
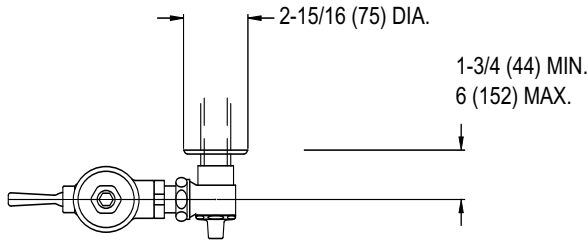
**Minimum Operating Pressure Rating** ..... 10 PSI (70 KPa)

**Water Volume Range/Flush** ..... 0.9 - 6.8 Gal @ 80 PSI  
(3.6 - 26.0 L @ 690 KPa)

**Shipping Weight** ..... 9.4 Lbs (4.3 Kg)



**452VB Model Shown**



*Dimensions shown in inches (mm) are for reference only and are subject to change.*



**Ordering Code:**

**452VB -**

**Fitting Options**

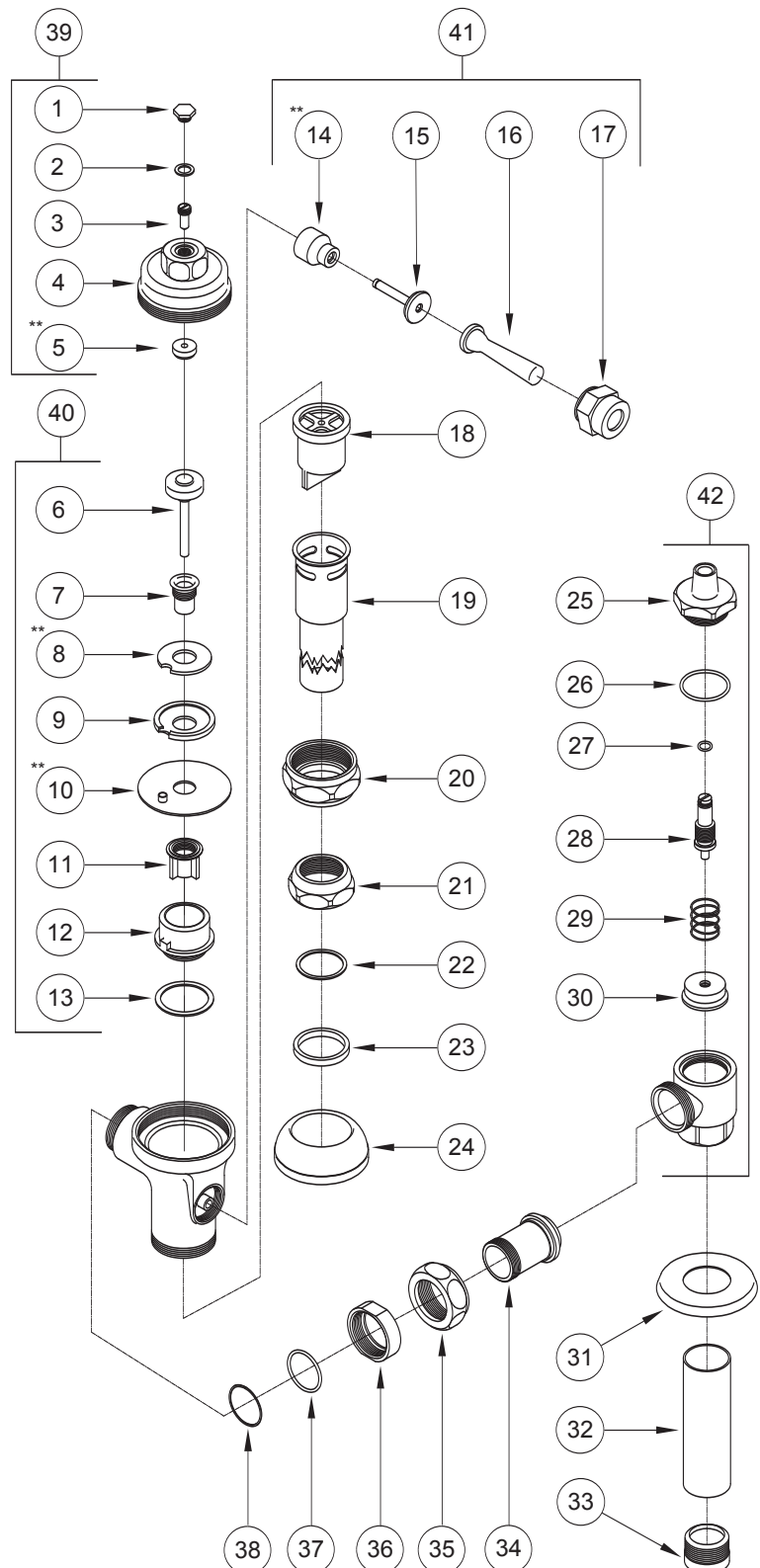
- B** 1/2" Push Button
- J** Vandal Resistant Cap on Stop
- T5** Non-Hold Open Feature
- T6** Cast Flange Set Screw
- T36** Wall Support
- IMP** Impulse Battery Operated Flush



#	Description	Part #*
1	Cap	302131
2	Washer	302009
3	Regulating Screw	302011
4	Cover	302106P
5	Packing	302008
6	Auxiliary Valve	039049-BP5
7	Diaphragm Bushing	302014
8	Auxiliary Valve Seat	302013
9	Seat Holder	302107
10	Diaphragm	302075
11	Guide	302659
12	Seat	302660
13	Seat Washer	302077
14	Flexer	302022
15	Oper. Stem w/ Nylon Tip	039048-BP5
16	Handle	301212
17	Handle Nut	302096
18	Sleeve w/ Insert	302002
19	Vented Tailpiece	302297
20	Cowl Nut	302001B
21	Coupling Nut	300317
22	Friction Ring	300327
23	Slip Joint Washer	301016
24	Escutcheon	301248
25	Bonnet	302148
26	Bonnet O-Ring	305601
27	O-Ring	301200
28	Stem	302149
29	Spring	302874
30	Disc w/ Insert	302095
31	Flange	301235
32	Cover Tube	302169
33	Sweat Adaptor	303058
34	Tailpiece	300760
35	Union Nut	302103
36	Adjusting Nut	300759
37	Clamping Ring	300758
38	O-Ring	300761
39	Cover Assy. Repair Kit	352305
40	Diaphragm Operation Assy.	039008
41	Handle Assy.	352310
42	Complete Stop Assy.	D182

\*\* Presto Repair Kit, 1" (5, 8, 10, 14) 039002

\*BPx denotes the bulk pack quantity



# 534VB Flush Valve, Concealed W/C



**534VB Specification:** Commercial grade concealed water closet flush valve with vacuum breaker and flush tube assembly. Heavy duty cast brass body construction. Exposed parts have a resilient polished chrome plated finish. 1" NPT female inlet with 1" copper sweat adaptor. Standard 1/2" push button operation.

**Maximum Operating Pressure Rating** ..... 100 PSI (700 KPa)

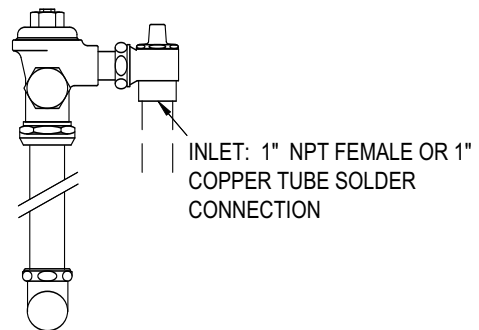
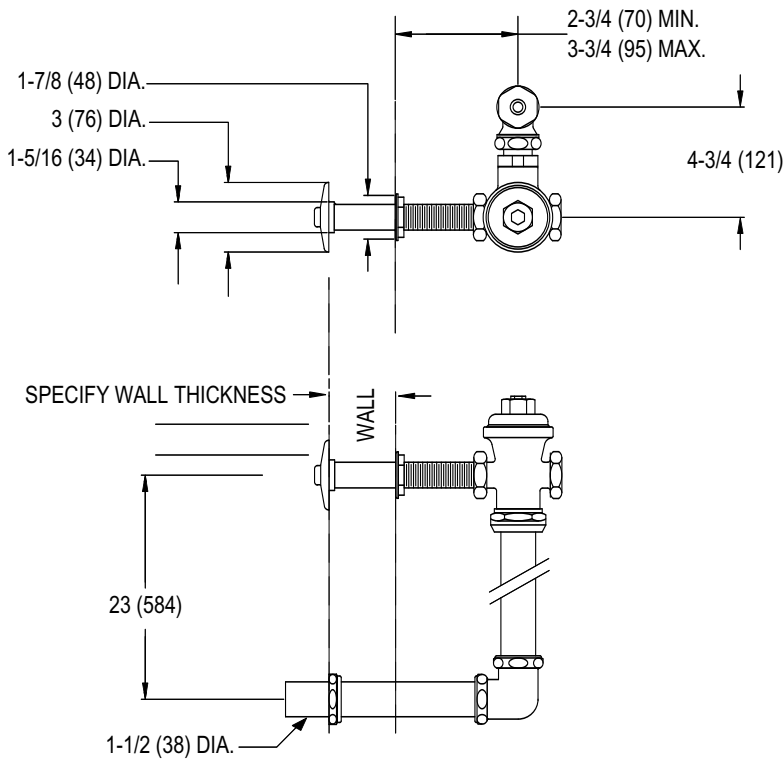
**Minimum Operating Pressure Rating** ..... 10 PSI (70 KPa)

**Water Volume Range/Flush** ..... 0.8 - 5.3 Gal @ 80 PSI  
(3.0 - 20.0 L @ 690 KPa)

**Shipping Weight** ..... 11.0 Lbs (5.0 Kg)



**534VB-08 Model Shown**



*Dimensions shown in inches (mm) are for reference only and are subject to change.*

**Ordering Code:**

**534VB - -**

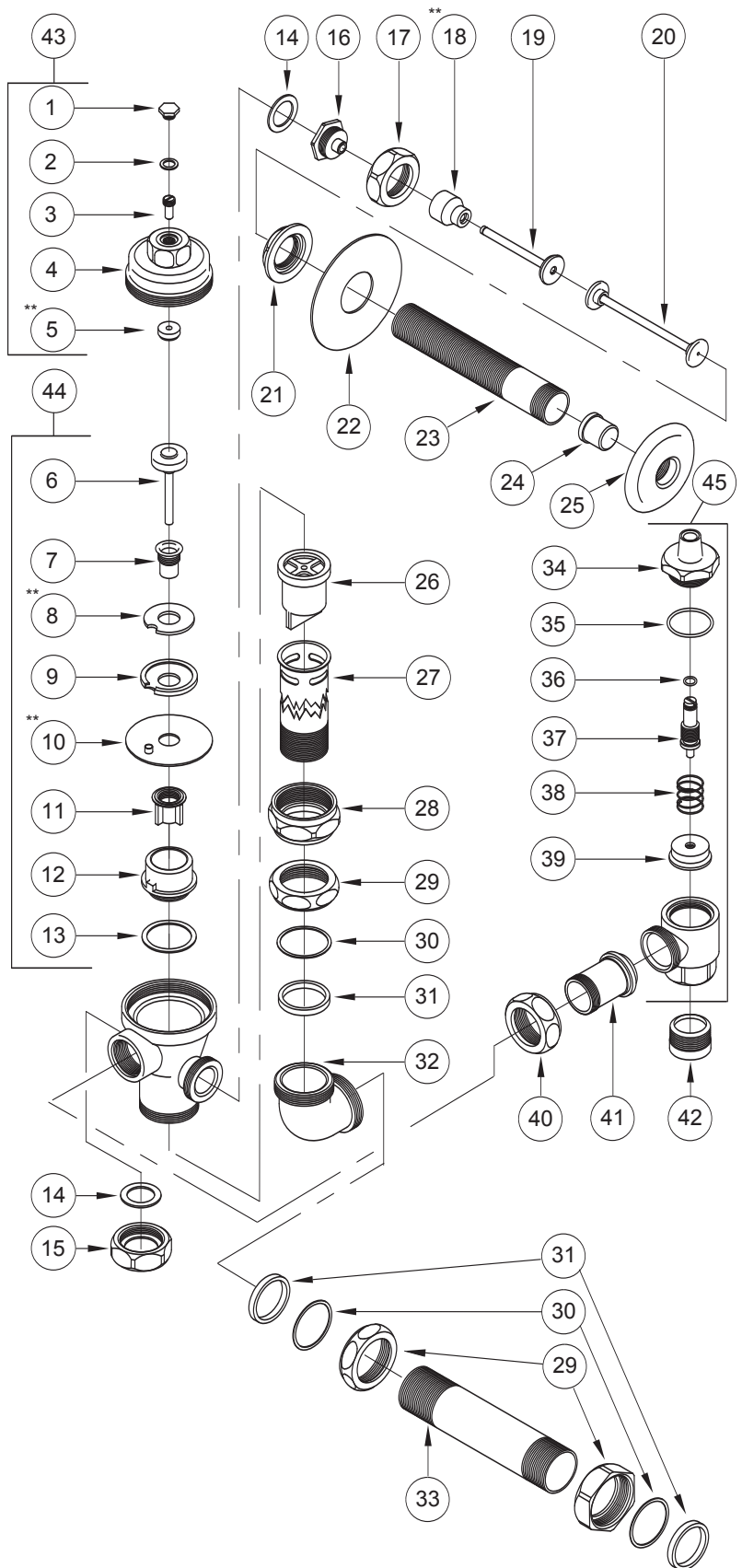
- Wall Thickness: 0 - 1" **01**
- Wall Thickness: 1 - 2" **02**
- Wall Thickness: 2 - 3" **03**
- Wall Thickness: 3 - 4" **04**
- Wall Thickness: 4 - 5" **05**
- Wall Thickness: 5 - 6" **06**
- Wall Thickness: 6 - 7" **07**
- Wall Thickness: 7 - 8" **08**

**Fitting Options**

- E** One Wall Bumper
- F** Vandal Resistant Two Wall Bumpers
- T5** Non-Hold Open Feature
- T28** Metal Oscillating Handle

**# Description**
**Part #\***

1	Cap	302131
2	Washer	302009
3	Regulating Screw	302011
4	Cover	302106P
5	Packing	302008
6	Auxiliary Valve	039049-BP5
7	Diaphragm Bushing	302014
8	Auxiliary Valve Seat	302013
9	Seat Holder	302107
10	Diaphragm	302075
11	Guide	302659
12	Seat	302660
13	Seat Washer	302077
14	Gasket	302112
15	Cap	302117
16	Bushing	302122
17	Union Nut	302116
18	Flexer	302022
19	Oper. Stem w/ Nylon Tip	352623
20	Sleeve Spacer	
	Wall Thickness: 0 - 1"	302266
	Wall Thickness: 1 - 2"	357002
	Wall Thickness: 2 - 3"	357003
	Wall Thickness: 3 - 4"	357004
	Wall Thickness: 4 - 5"	357005
	Wall Thickness: 5 - 6"	357006
	Wall Thickness: 6 - 7"	357007
	Wall Thickness: 7 - 8"	357008
21	Jam Nut	302114
22	Bearing Plate	302121
23	Wall Sleeve	
	Wall Thickness: 0 - 1"	302275
	Wall Thickness: 1 - 2"	302276
	Wall Thickness: 2 - 3"	302277
	Wall Thickness: 3 - 4"	302278
	Wall Thickness: 4 - 5"	302279
	Wall Thickness: 5 - 6"	302280
	Wall Thickness: 6 - 7"	302281
	Wall Thickness: 7 - 8"	302282
24	Push Button	302118
25	Wall Flange	302687
26	Sleeve with Insert	302002
27	Vented Tailpiece	302216
28	Cowl Nut	302001B
29	Coupling Nut	300288
30	Friction Ring	300276
31	Slip Joint Washer	301109
32	Elbow	309780
33	Horizontal Tube	
	Wall Thickness: 0 - 1"	309782
	Wall Thickness: 1 - 2"	309783
	Wall Thickness: 2 - 3"	309784
	Wall Thickness: 3 - 4"	309785
	Wall Thickness: 4 - 5"	309786
	Wall Thickness: 5 - 6"	309787
	Wall Thickness: 6 - 7"	309788
	Wall Thickness: 7 - 8"	309789
34	Bonnet	302156
35	Bonnet O-Ring	305601
36	O-Ring	301200
37	Stem	302149
38	Spring	302874
39	Disc w/ Insert	302095
40	Union Nut	310508
41	Tailpiece	300762
42	Sweat Adaptor	303058
43	Cover Assy. Repair Kit	352305
44	Diaphragm Operation Assy., 1"	039008
45	Complete Stop Assy.	D182
**	Presto Repair Kit, 1" (5, 8, 10, 18)	039002



\*BPx denotes the bulk pack quantity

# 544VB Flush Valve, Concealed W/C



**544VB Specification:** Commercial grade concealed water closet flush valve with vacuum breaker and offset flush assembly. Heavy duty cast brass body construction. Exposed parts have a resilient polished chrome plated finish. 1" NPT female inlet with 1" copper sweat adaptor. Standard 1/2" metal oscillating handle.

**Maximum Operating Pressure Rating** ..... 100 PSI (700 KPa)

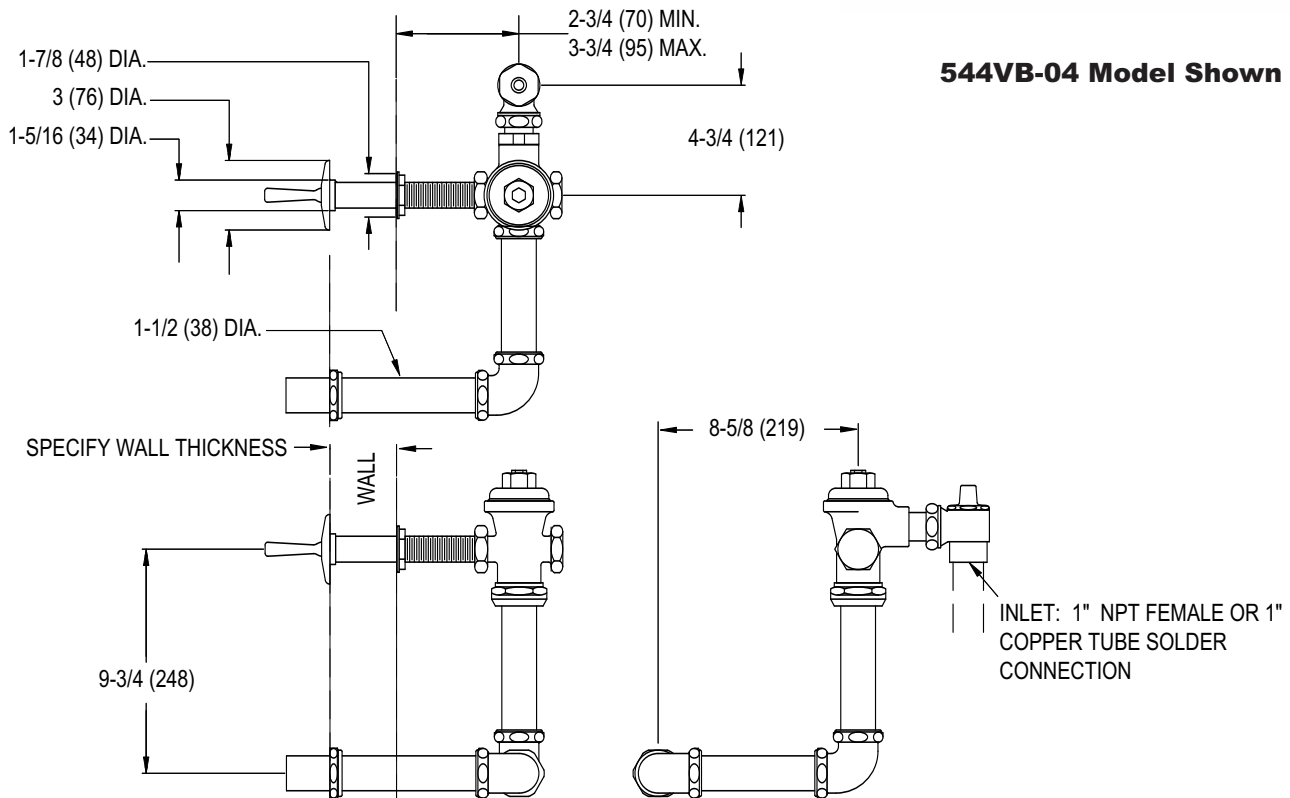
**Minimum Operating Pressure Rating** ..... 10 PSI (70 KPa)

**Water Volume Range/Flush** ..... 0.8 - 5.3 Gal @ 80 PSI  
(3.0 - 20.0 L @ 690 KPa)

**Shipping Weight** ..... 10.0 Lbs (4.5 Kg)



**544VB-04 Model Shown**



*Dimensions shown in inches (mm) are for reference only and are subject to change.*



**Ordering Code:**

**544VB - -**

- Wall Thickness: 0 - 1" **01**
- Wall Thickness: 1 - 2" **02**
- Wall Thickness: 2 - 3" **03**
- Wall Thickness: 3 - 4" **04**
- Wall Thickness: 4 - 5" **05**
- Wall Thickness: 5 - 6" **06**
- Wall Thickness: 6 - 7" **07**
- Wall Thickness: 7 - 8" **08**

**Fitting Options**

- E** One Wall Bumper
- F** Vandal Resistant Two Wall Bumpers
- T5** Non-Hold Open Feature
- T28** Metal Oscillating Handle

### # Description

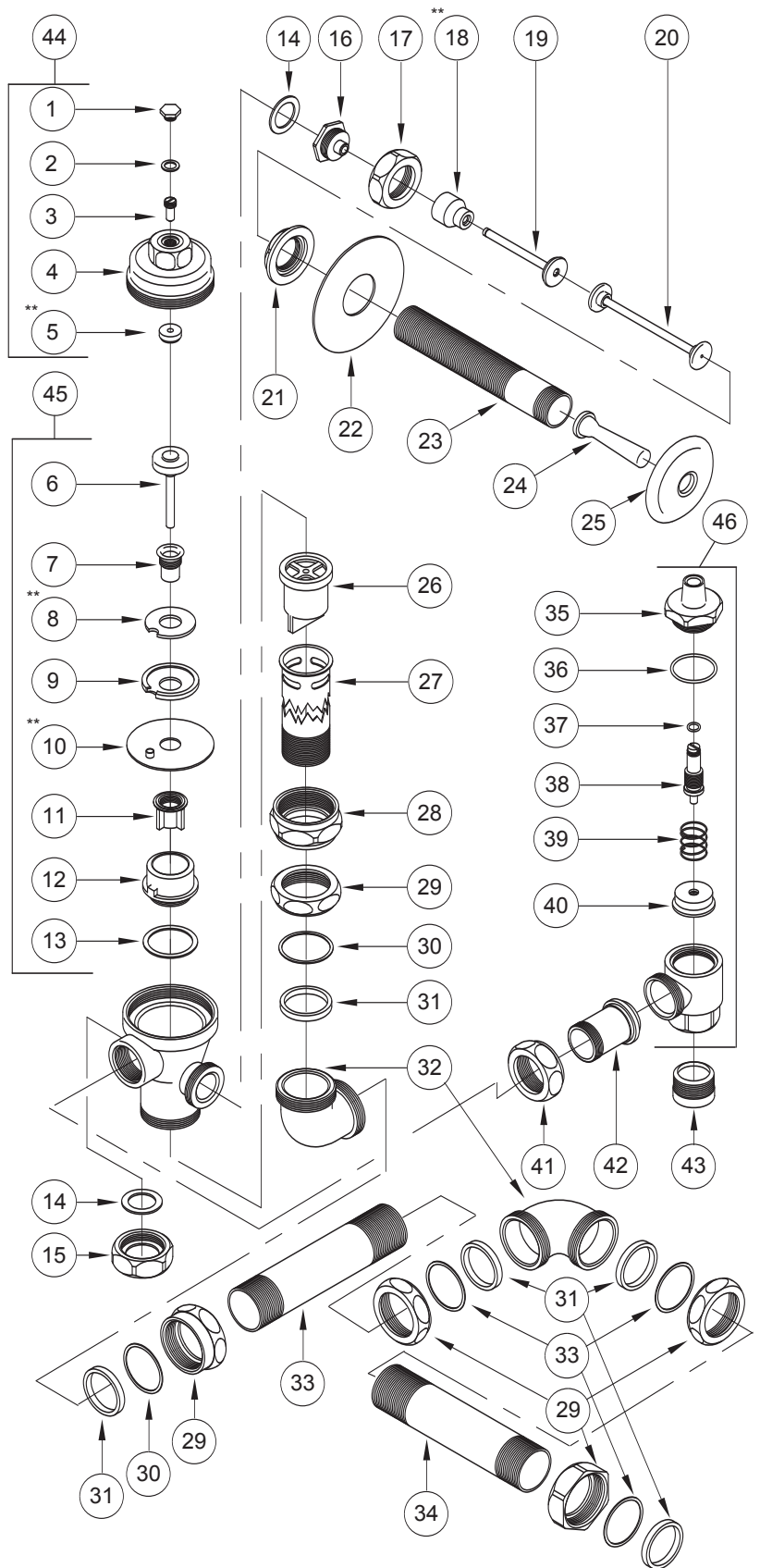
- 1 Cap
- 2 Washer
- 3 Regulating Screw
- 4 Cover
- 5 Packing
- 6 Auxiliary Valve
- 7 Diaphragm Bushing
- 8 Auxiliary Valve Seat
- 9 Seat Holder
- 10 Diaphragm
- 11 Guide
- 12 Seat
- 13 Seat Washer
- 14 Gasket
- 15 Cap
- 16 Bushing
- 17 Union Nut
- 18 Flexer
- 19 Oper. Stem w/ Nylon Tip
- 20 Sleeve Space
- 21 Jam Nut
- 22 Bearing Plate
- 23 Wall Sleeve
- 24 Oscillating Handle
- 25 Wall Flange
- 26 Sleeve with Insert
- 27 Vented Tailpiece
- 28 Cowl Nut
- 29 Coupling Nut
- 30 Friction Ring
- 31 Slip Joint Washer
- 32 Elbow
- 33 Horizontal Tube
- 34 Horizontal Tube
- 35 Bonnet
- 36 Bonnet O-Ring
- 37 O-Ring
- 38 Stem
- 39 Spring
- 40 Disc w/ Insert
- 41 Union Nut
- 42 Tailpiece
- 43 Sweat Adaptor
- 44 Cover Assy. Repair Kit
- 45 Diaphragm Operation Assy., 1"
- 46 Complete Stop Assy.

### Part #\*

- 302131
- 302009
- 302011
- 302106P
- 302008
- 039049-BP5
- 302014
- 302013
- 302107
- 302075
- 302659
- 302660
- 302077
- 302112
- 302117
- 302122
- 302116
- 302022
- 352623
- 302266
- 357002
- 357003
- 357004
- 357005
- 357006
- 357007
- 357008
- 302114
- 302121
- 302275
- 302276
- 302277
- 302278
- 302279
- 302280
- 302281
- 302282
- 301212
- 302674
- 302002
- 302213
- 302001B
- 300288
- 300276
- 301109
- 309780
- 302201
- 309782
- 309783
- 309784
- 309785
- 309786
- 309787
- 309788
- 309789
- 302156
- 305601
- 301200
- 302149
- 302874
- 302095
- 310508
- 300762
- 303058
- 352305
- 039008
- D182

\*\* Presto Repair Kit, 1" (5, 8, 10, 18)

039002



\*BPx denotes the bulk pack quantity

# 571VB Flush Valve, Concealed Urinal



**571VB Specification:** Commercial grade concealed urinal flush valve with vacuum breaker and flush tube assembly. Heavy duty cast brass body construction. Exposed parts have a resilient polished chrome plated finish. 3/4" NPT female inlet with 3/4" copper sweat adaptor. Standard metal oscillating handle.

**Maximum Operating Pressure Rating** ..... 100 PSI (700 KPa)

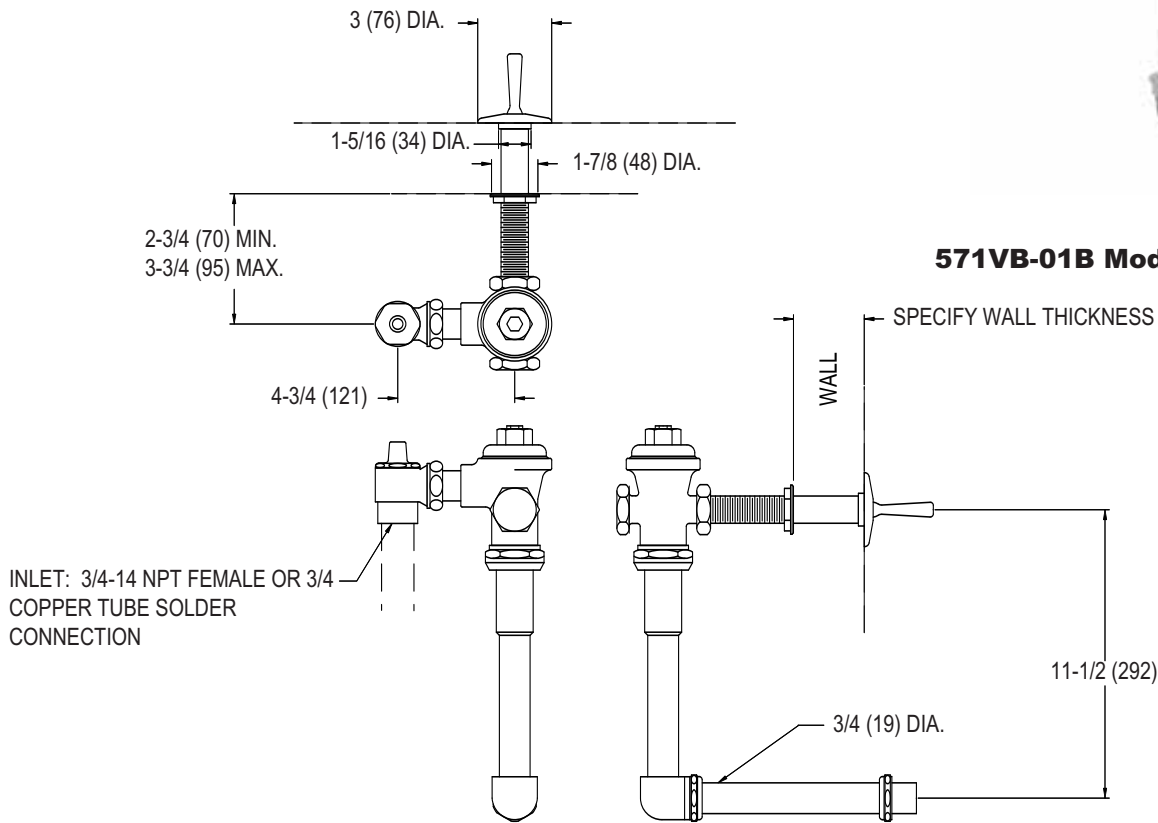
**Minimum Operating Pressure Rating** ..... 10 PSI (70 KPa)

**Water Volume Range/Flush** ..... 0.9 - 6.8 Gal @ 80 PSI  
(3.6 - 26.0 L @ 690 KPa)

**Shipping Weight** ..... 6.5 Lbs (2.9 Kg)



**571VB-01B Model Shown**



Dimensions shown in inches (mm) are for reference only and are subject to change.



**Ordering Code:**

**571VB - -**

- Wall Thickness: 0 - 1" **01**
- Wall Thickness: 1 - 2" **02**
- Wall Thickness: 2 - 3" **03**
- Wall Thickness: 3 - 4" **04**
- Wall Thickness: 4 - 5" **05**
- Wall Thickness: 5 - 6" **06**
- Wall Thickness: 6 - 7" **07**
- Wall Thickness: 7 - 8" **08**

**Fitting Options**

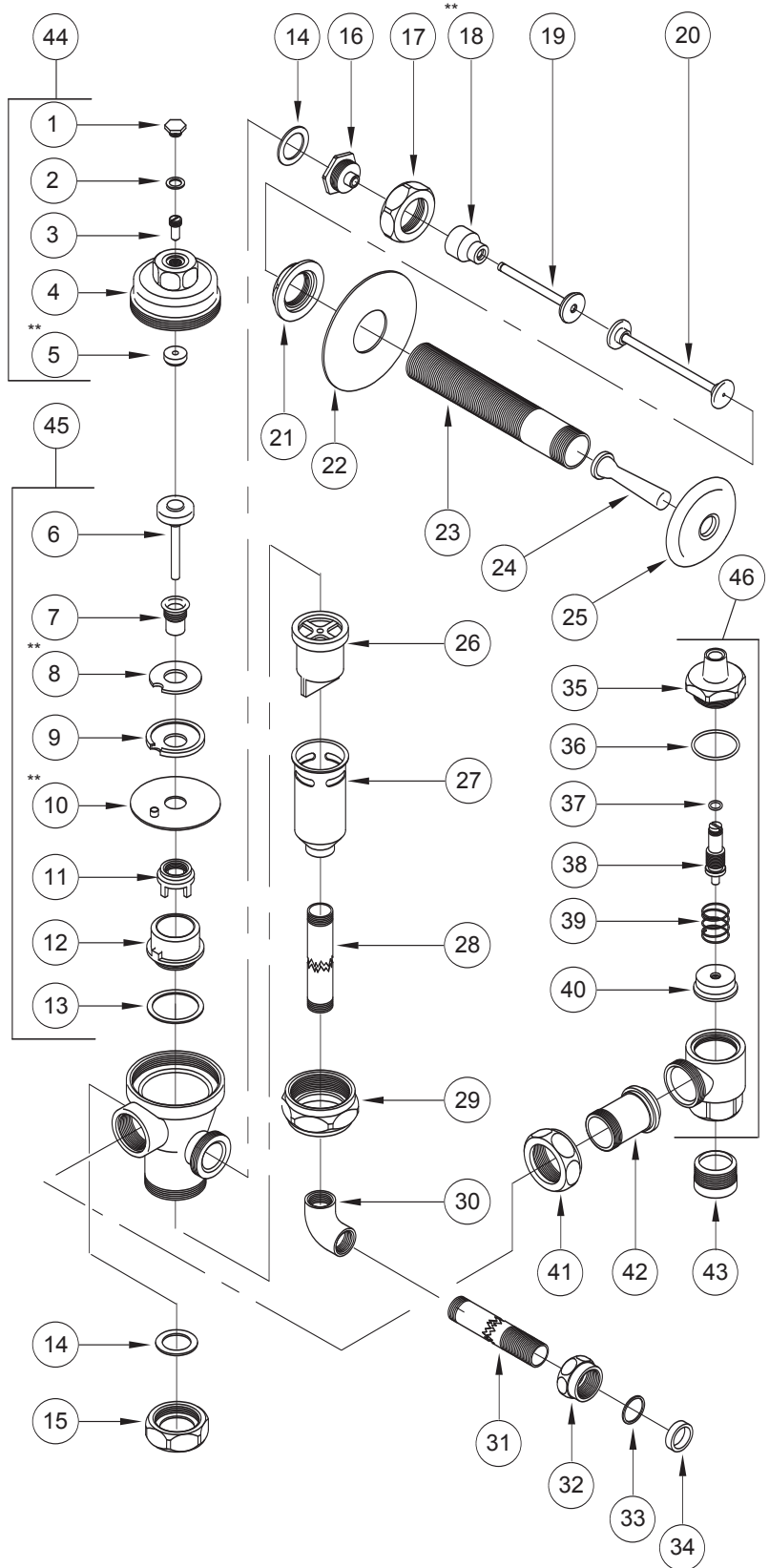
- B** 1/2" Push Button
- T5** Non-Hold Open Feature

**# Description**
**Part #\***

1	Cap	302131
2	Washer	302009
3	Regulating Screw	302011
4	Cover	302106P
5	Packing	302008
6	Auxiliary Valve	039049-BP5
7	Diaphragm Bushing	302014
8	Auxiliary Valve Seat	302013
9	Seat Holder	302107
10	Diaphragm	302063
11	Guide	302115
12	Seat	302660
13	Seat Washer	302077
14	Gasket	302112
15	Cap	302117
16	Bushing	302122
17	Union Nut	302116
18	Flexer	302022
19	Oper. Stem w/ Nylon Tip	352623
20	Sleeve Space	
	Wall Thickness: 0 - 1"	302266
	Wall Thickness: 1 - 2"	357002
	Wall Thickness: 2 - 3"	357003
	Wall Thickness: 3 - 4"	357004
	Wall Thickness: 4 - 5"	357005
	Wall Thickness: 5 - 6"	357006
	Wall Thickness: 6 - 7"	357007
	Wall Thickness: 7 - 8"	357008
21	Jam Nut	302114
22	Bearing Plate	302121
23	Wall Sleeve	
	Wall Thickness: 0 - 1"	302275
	Wall Thickness: 1 - 2"	302276
	Wall Thickness: 2 - 3"	302277
	Wall Thickness: 3 - 4"	302278
	Wall Thickness: 4 - 5"	302279
	Wall Thickness: 5 - 6"	302280
	Wall Thickness: 6 - 7"	302281
	Wall Thickness: 7 - 8"	302282
24	Oscillating Handle	301212
25	Wall Flange	302674
26	Sleeve with Insert	302002
27	Vacuum Breaker	302336
28	Tailpiece	302340
29	Cowl Nut	302001B
30	Elbow	301397
31	Horizontal Tube	
	Wall Thickness: 0 - 1"	302316
	Wall Thickness: 1 - 2"	302195
	Wall Thickness: 2 - 3"	302317
	Wall Thickness: 3 - 4"	302318
	Wall Thickness: 4 - 5"	302196
	Wall Thickness: 5 - 6"	302319
	Wall Thickness: 6 - 7"	302320
	Wall Thickness: 7 - 8"	302197
32	Coupling Nut	300796
33	Friction Ring	301243
34	Slip Joint Washer	301253
35	Bonnet	302156
36	Bonnet O-Ring	305601
37	O-Ring	301200
38	Stem	302149
39	Spring	302874
40	Disc w/ Insert	302095
41	Union Nut	310508
42	Tailpiece	300762
43	Sweat Adaptor	303057
44	Cover Assy. Repair Kit	352307
45	Diaphragm Operation Assy.	039007
46	Complete Stop Assy.	D184

\*\* Presto Repair Kit, 3/4" (5, 8, 10, 18) 039003

\*BPx denotes the bulk pack quantity



# 572VB Flush Valve, Concealed Urinal



**572VB Specification:** Commercial grade concealed urinal flush valve with vacuum breaker and flush tube assembly. Heavy duty cast brass body construction. Exposed parts have a resilient polished chrome plated finish. 1" NPT female inlet with 1" copper sweat adaptor. Standard metal oscillating handle.

**Maximum Operating Pressure Rating** ..... 100 PSI (700 KPa)

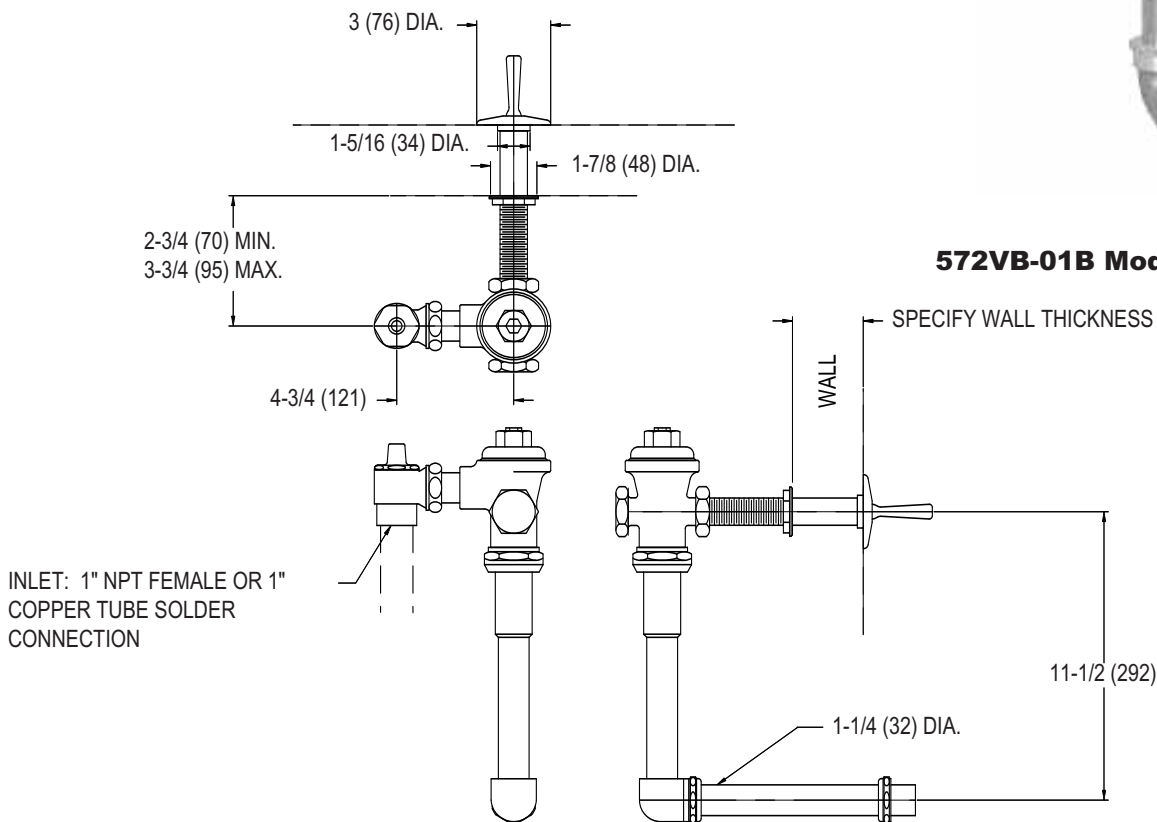
**Minimum Operating Pressure Rating** ..... 10 PSI (70 KPa)

**Water Volume Range/Flush** ..... 0.8 - 5.3 Gal @ 80 PSI  
(3.0 - 20.0 L @ 690 KPa)

**Shipping Weight** ..... 9.0 Lbs (4.1 Kg)



**572VB-01B Model Shown**



*Dimensions shown in inches (mm) are for reference only and are subject to change.*

**Ordering Code:**

**572VB - -**

- Wall Thickness: 0 - 1" **01**
- Wall Thickness: 1 - 2" **02**
- Wall Thickness: 2 - 3" **03**
- Wall Thickness: 3 - 4" **04**
- Wall Thickness: 4 - 5" **05**
- Wall Thickness: 5 - 6" **06**
- Wall Thickness: 6 - 7" **07**
- Wall Thickness: 7 - 8" **08**

**Fitting Options**

- B** 1/2" Push Button
- T5** Non-Hold Open Feature

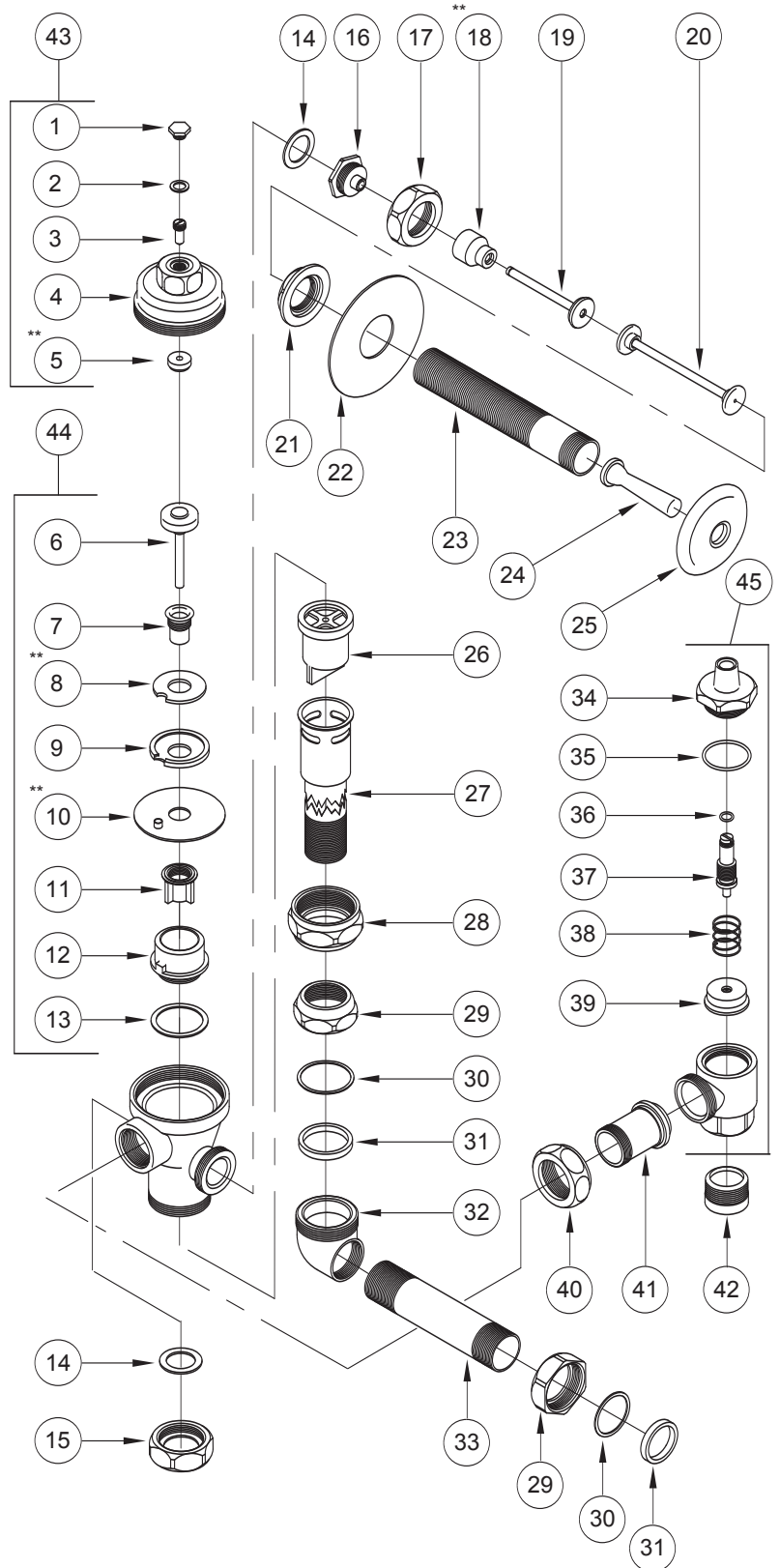


**# Description**
**Part #\***

1	Cap	302131
2	Washer	302009
3	Regulating Screw	302011
4	Cover	302106P
5	Packing	302008
6	Auxiliary Valve	039049-BP5
7	Diaphragm Bushing	302014
8	Auxiliary Valve Seat	302013
9	Seat Holder	302107
10	Diaphragm	302075
11	Guide	302659
12	Seat	302660
13	Seat Washer	302077
14	Gasket	302112
15	Cap	302117
16	Bushing	302122
17	Union Nut	302116
18	Flexer	302022
19	Oper. Stem w/ Nylon Tip	352623
20	Sleeve Space	
	Wall Thickness: 0 - 1"	302266
	Wall Thickness: 1 - 2"	357002
	Wall Thickness: 2 - 3"	357003
	Wall Thickness: 3 - 4"	357004
	Wall Thickness: 4 - 5"	357005
	Wall Thickness: 5 - 6"	357006
	Wall Thickness: 6 - 7"	357007
	Wall Thickness: 7 - 8"	357008
21	Jam Nut	302114
22	Bearing Plate	302121
23	Wall Sleeve	
	Wall Thickness: 0 - 1"	302275
	Wall Thickness: 1 - 2"	302276
	Wall Thickness: 2 - 3"	302277
	Wall Thickness: 3 - 4"	302278
	Wall Thickness: 4 - 5"	302279
	Wall Thickness: 5 - 6"	302280
	Wall Thickness: 6 - 7"	302281
	Wall Thickness: 7 - 8"	302282
24	Oscillating Handle	301212
25	Wall Flange	302674
26	Sleeve with Insert	302002
27	Vented Tailpiece	302912
28	Cowl Nut	302001B
29	Coupling Nut	301362
30	Friction Ring	300327
31	Slip Joint Washer	301016
32	Elbow	302910
33	Horizontal Tube	
	Wall Thickness: 0 - 1"	302322
	Wall Thickness: 1 - 2"	302198
	Wall Thickness: 2 - 3"	302323
	Wall Thickness: 3 - 4"	302324
	Wall Thickness: 4 - 5"	302199
	Wall Thickness: 5 - 6"	302325
	Wall Thickness: 6 - 7"	302326
	Wall Thickness: 7 - 8"	302200
34	Bonnet	302156
35	Bonnet O-Ring	305601
36	O-Ring	301200
37	Stem	302149
38	Spring	302874
39	Disc w/ Insert	302095
40	Union Nut	310508
41	Tailpiece	300762
42	Sweat Adaptor	303058
43	Cover Assy. Repair Kit	352305
44	Diaphragm Operation Assy.	039008
45	Complete Stop Assy.	D182

\*\* Presto Repair Kit, 1" (5, 8, 10, 18) 039002

\*BPx denotes the bulk pack quantity



# B144 Cranada® Lavatory Fitting



**B144 Specification:** Commercial grade single lever lavatory fitting with 4" (102 mm) centres and 2.0 gpm (7.6 L/min) aerator. Cranada's washerless design provides years of trouble free service, feature all brass and copper waterways, and include a resilient polished chrome plated finish.

**Maximum Flow Rates** ... 2.0 GPM @ 60 PSI (7.6 L/min @ 410 KPa)

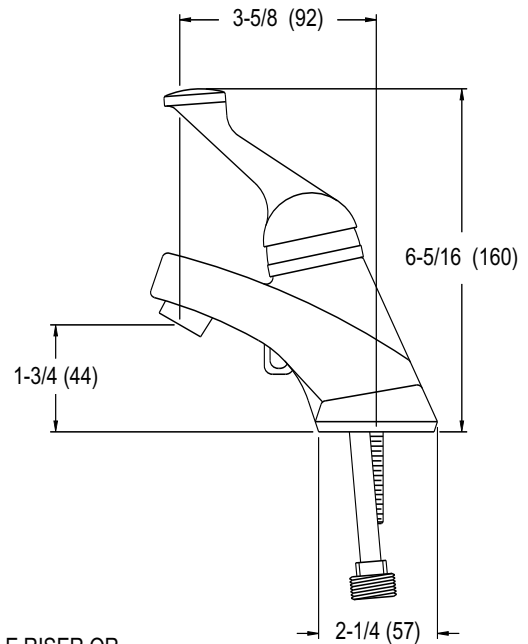
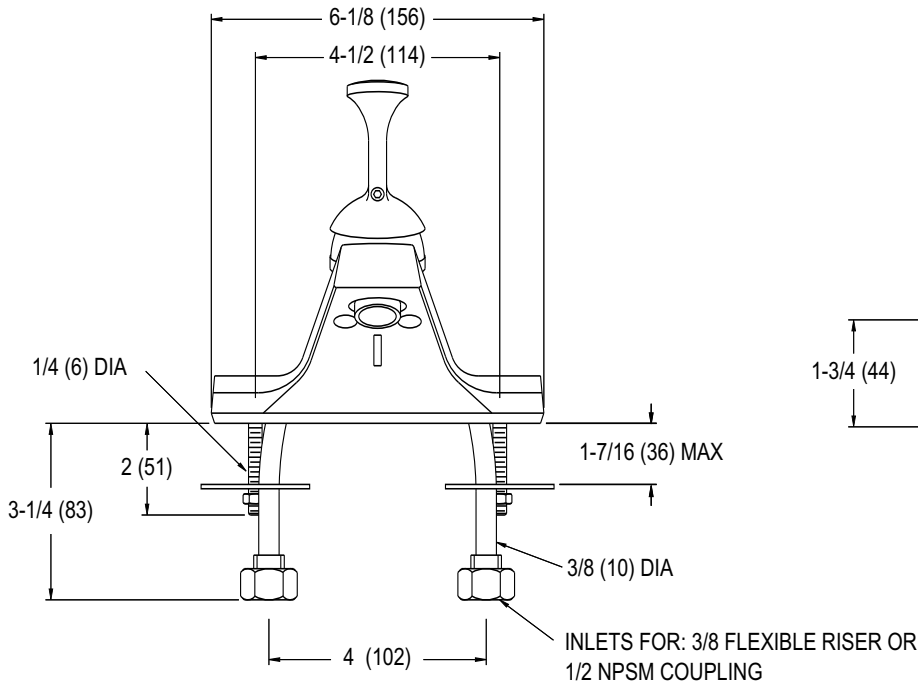
**Maximum Operating Pressure Rating** ..... 125 PSI (860 KPa)

**Maximum Operating Temperature Rating** ..... 65 C (150 F)

**Shipping Weight** ..... 2.5 Lbs (1.4 Kg)



**B144 Model Shown**



*Dimensions shown in inches (mm) are for reference only and are subject to change.*



**Ordering Code:**

**B144 - -**

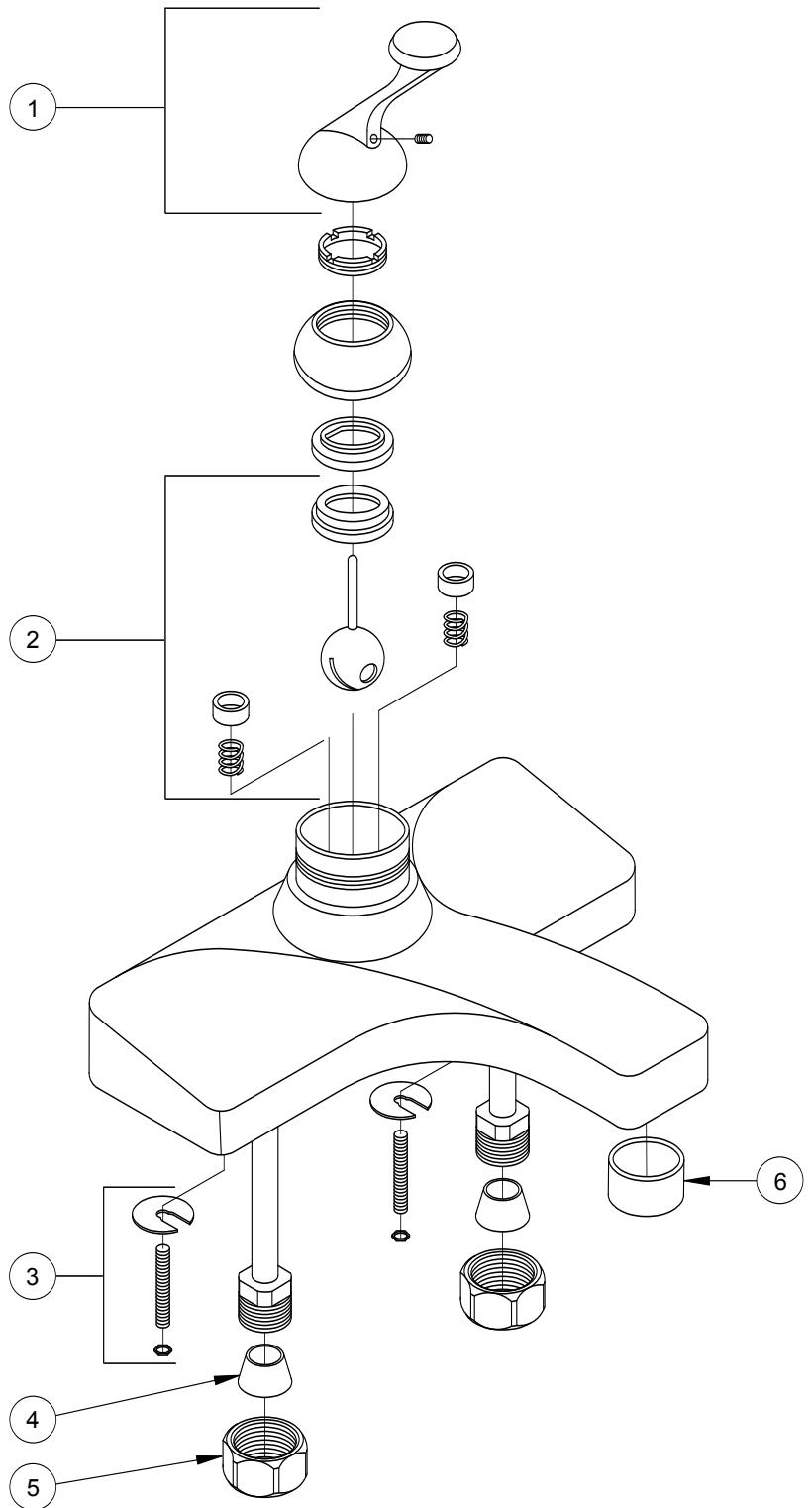
**Outlet Options**

- Aerator (0.5 GPM, 1.9 L/min) **A5**
- Laminar Flow Outlet (2.0 GPM, 7.6 L/min) **LF**
- Spray Face (2.0 GPM, 7.6 L/min) **SF**
- Vandal Resistant Aerator (0.5 GPM, 1.9 L/min) **V5**
- Vandal Resistant Aerator (2.0 GPM, 7.6 L/min) **VA**
- Vandal Resistant Laminar Flow (2.0 GPM, 7.6 L/min) **VF**

**Additional Options**

- CS** 1-1/4" Chain Stay Drain (P3903)
- GD** 1-1/4" Grid Drain (P3902)
- OG** 1-1/4" Offset Grid Drain (P3906)
- LH** Long Handle

#	Description	Part #
1	Handle Kit	039577
2	Cartridge Kit	039580
3	Mounting Kit	039579
4	Cone Washer	300116
5	Coupling Nut	300125
6	Aerator	300994



# B540 Cranada® Kitchen Fitting W/ Spray



**B540 Specification:** Commercial grade single lever kitchen fitting with 8" (203 mm) centres, 2.0 gpm (7.6 L/min) aerator, 8" (203 mm) swing spout, and sidespray. Cranada's washerless design provides years of trouble free service, feature all brass and copper waterways, and include a resilient polished chrome plated finish.

**Maximum Flow Rates** ... 2.0 GPM @ 60 PSI (7.6 L/min @ 410 KPa)

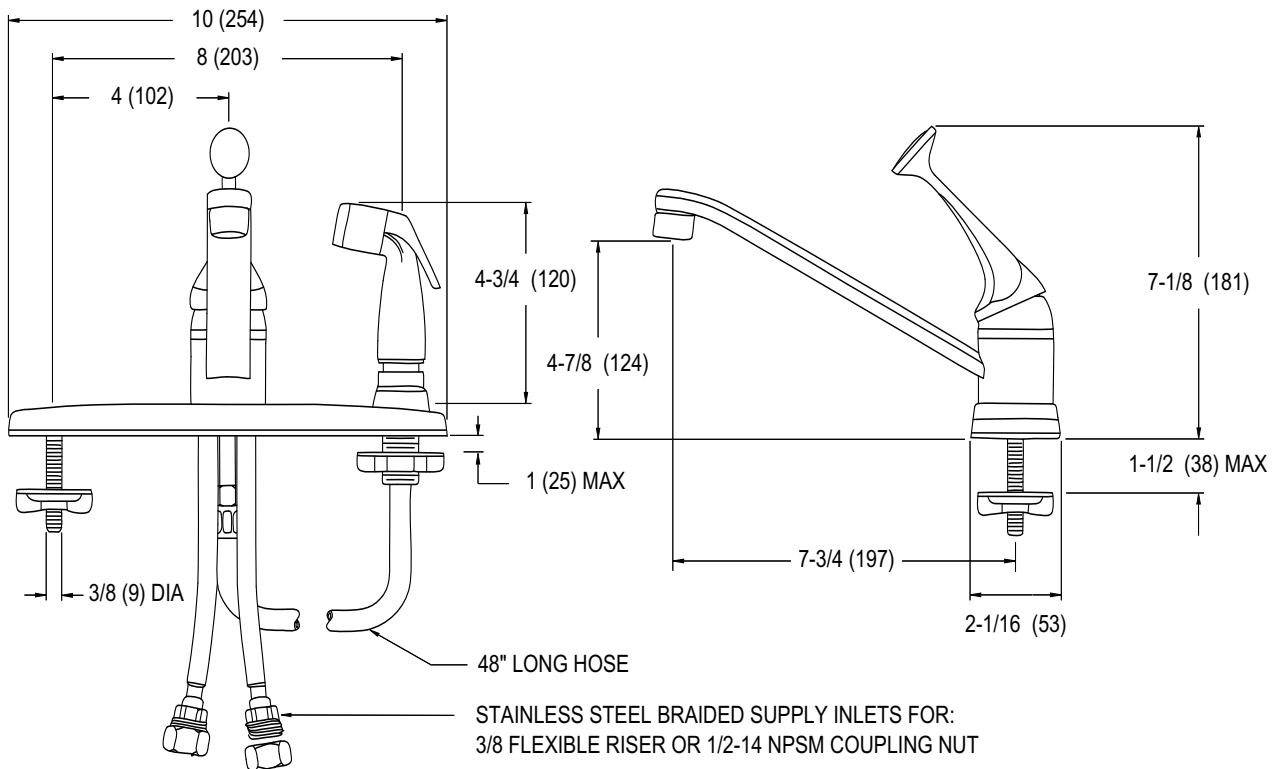
**Maximum Operating Pressure Rating** ..... 125 PSI (860 KPa)

**Maximum Operating Temperature Rating** ..... 65 C (150 F)

**Shipping Weight** ..... 4.0 Lbs (1.9 Kg)



**B540 Model Shown**



Dimensions shown in inches (mm) are for reference only and are subject to change.

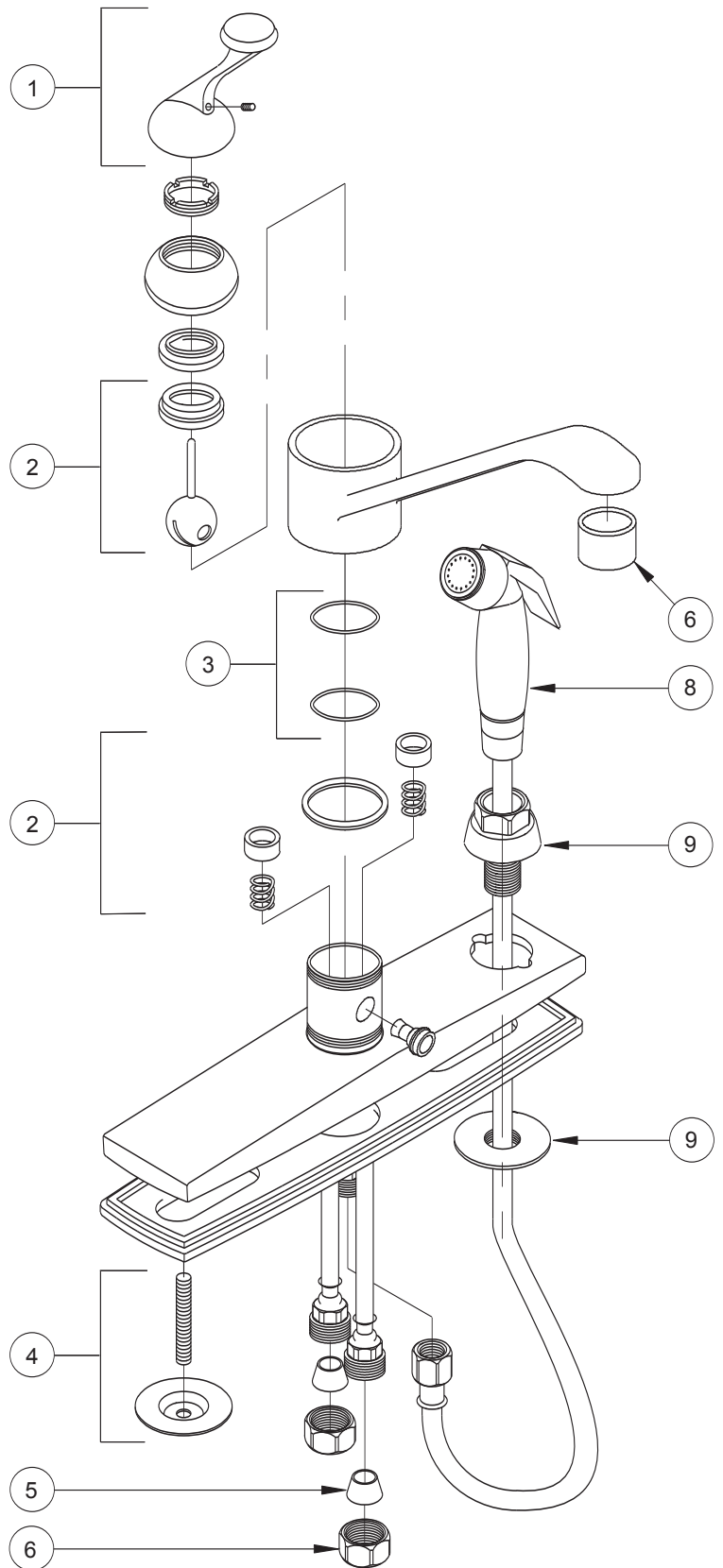
**Ordering Code:**

**B540 -**

**Outlet Options**

- Aerator (0.5 GPM, 1.9 L/min) **A5**
- Laminar Flow Outlet (2.0 GPM, 7.6 L/min) **LF**
- Spray Face (2.0 GPM, 7.6 L/min) **SF**
- Vandal Resistant Aerator (0.5 GPM, 1.9 L/min) **V5**
- Vandal Resistant Aerator (2.0 GPM, 7.6 L/min) **VA**
- Vandal Resistant Laminar Flow (2.0 GPM, 7.6 L/min) **VF**

#	Description	Part #
1	Handle Kit	039577
2	Cartridge Kit	039580
3	O-Ring Kit	039583
4	Mounting Kit	039579
5	Cone Washer	300116
6	Coupling Nut	300125
7	Aerator	300994
8	Sidespray	303035
9	Hose Guide Assy	300832



# B548 Cranada® Kitchen Fitting



**B548 Specification:** Commercial grade single lever kitchen fitting with 8" (203 mm) centres, 2.0 gpm (7.6 L/min) aerator and 8" (203 mm) swing spout. Cranada's washerless design provides years of trouble free service, feature all brass and copper waterways, and include a resilient polished chrome plated finish.

**Maximum Flow Rates** ... 2.0 GPM @ 60 PSI (7.6 L/min @ 410 KPa)

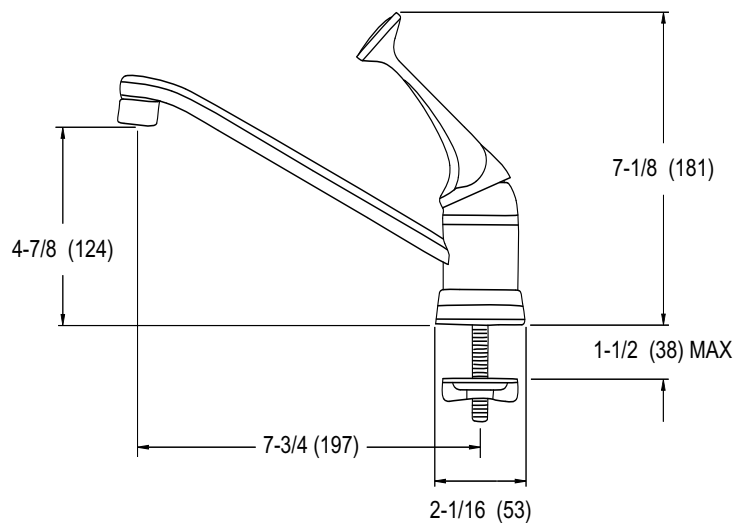
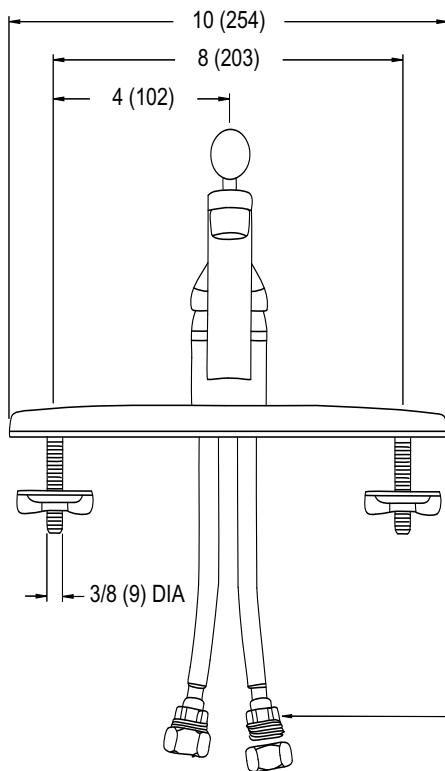
**Maximum Operating Pressure Rating** ..... 125 PSI (860 KPa)

**Maximum Operating Temperature Rating** ..... 65 C (150 F)

**Shipping Weight** ..... 2.5 Lbs (1.4 Kg)



**B548 Model Shown**



STAINLESS STEEL BRAIDED  
SUPPLY INLETS FOR:  
3/8 FLEXIBLE RISER OR 1/2-14



*Dimensions shown in inches (mm) are for reference only and are subject to change.*

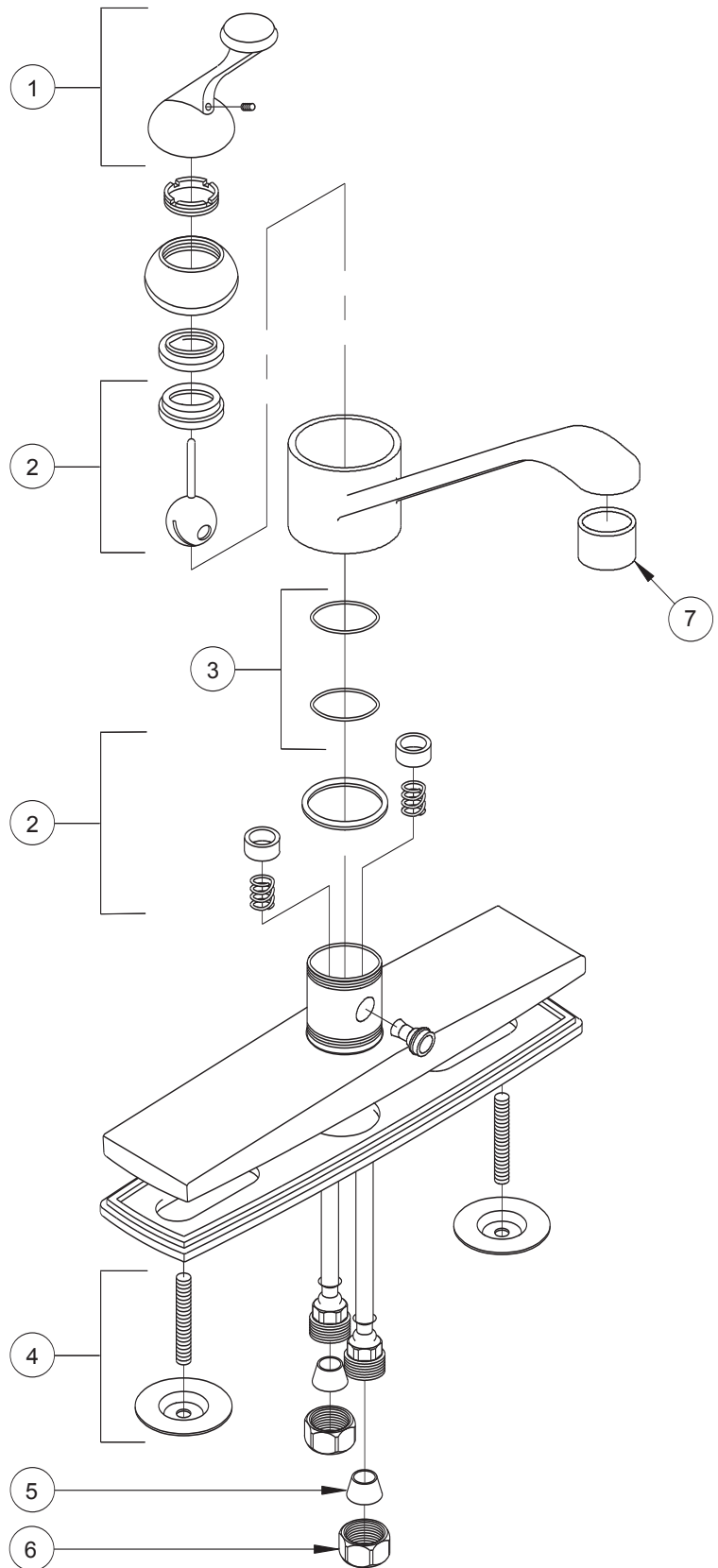
**Ordering Code:**

**B548 -**

**Outlet Options**

- Aerator (0.5 GPM, 1.9 L/min) **A5**
- Laminar Flow Outlet (2.0 GPM, 7.6 L/min) **LF**
- Spray Face (2.0 GPM, 7.6 L/min) **SF**
- Vandal Resistant Aerator (0.5 GPM, 1.9 L/min) **V5**
- Vandal Resistant Aerator (2.0 GPM, 7.6 L/min) **VA**
- Vandal Resistant Laminar Flow (2.0 GPM, 7.6 L/min) **VF**

#	Description	Part #
1	Handle Kit	039576
2	Cartridge Kit	039580
3	O-Ring Kit	039583
4	Mounting Kit	039578
5	Cone Washer	300116
6	Coupling Nut	300125
7	Aerator	300994



# P1005 Lavatory Fitting, 4" Centreset



**P1005 Specification:** Commercial grade 4" lavatory supply fitting complete with colour indexed vandal resistant metal handles, metering cartridges, and a 2.0 GPM (7.6 L/min) aerator. Heavy duty cast brass body has a resilient polished chrome plated finish and 1/2"-14 NPSM threaded inlets. Time adjustable from 1 to 20 sec.

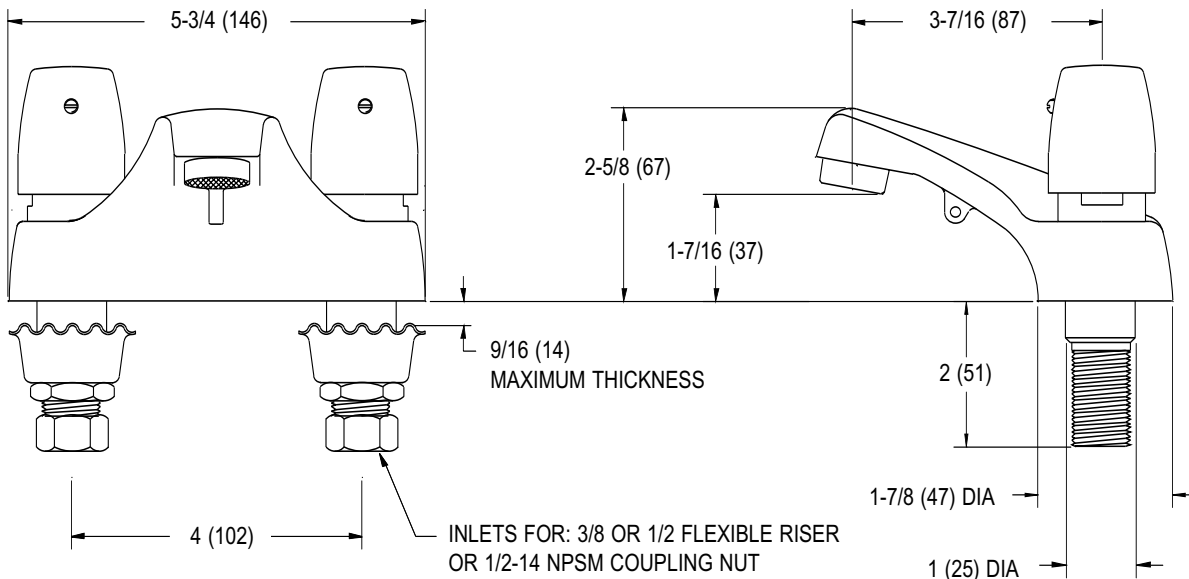
**Maximum Operating Pressure Rating** ..... 125 PSI (860 KPa)

**Maximum Operating Temperature Rating** ..... 65 C (150 F)

**Shipping Weight** ..... 4.0 Lbs (1.8 Kg)



**P1005 Model Shown**



*Dimensions shown in inches (mm) are for reference only and are subject to change.*

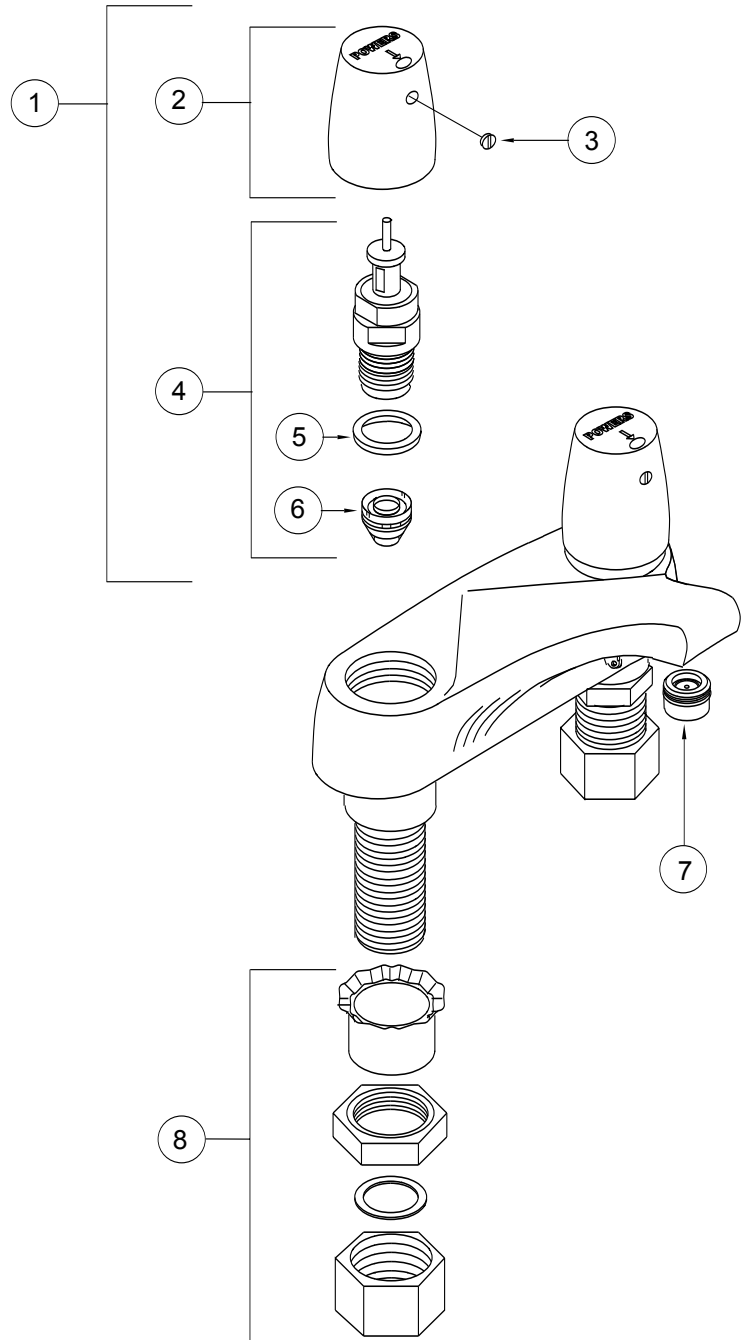
**Ordering Code:**

<b>P1005 - -</b>	
<p><b>Outlet Options</b></p> <p>Aerator (0.5 GPM, 1.9 L/min) <b>A5</b> <input type="checkbox"/></p> <p>Laminar Flow Outlet (2.0 GPM, 7.6 L/min) <b>LF</b> <input type="checkbox"/></p> <p>Spray Face (2.0 GPM, 7.6 L/min) <b>SF</b> <input type="checkbox"/></p> <p>Vandal Resistant Aerator (0.5 GPM, 1.9 L/min) <b>V5</b> <input type="checkbox"/></p> <p>Vandal Resistant Aerator (2.0 GPM, 7.6 L/min) <b>VA</b> <input type="checkbox"/></p> <p>Vandal Resistant Laminar Flow (2.0 GPM, 7.6 L/min) <b>VF</b> <input type="checkbox"/></p>	<p><b>Additional Options</b></p> <p><b>CS</b> 1-1/4" Chain Stay Drain (P3903) <input type="checkbox"/></p> <p><b>GD</b> 1-1/4" Grid Drain (P3902) <input type="checkbox"/></p> <p><b>OG</b> 1-1/4" Offset Grid Drain (P3906) <input type="checkbox"/></p>



#	Description	Part #*
1	Cartridge/Handle Kit	675-031
2	Handle Kit	675-026
3	Handle Button Kit (Red, Blue)	675-032
4	Cartridge Kit	675-036
5	O-Ring	084-025
6	Diaphragm/Filter	675-028
7	Aerator	300911
8	Hardware Kit	039280
9	Filter Wrench (Not Shown)	675035-BP5

\*BPx denotes the bulk pack quantity



# P1010 Lavatory Fitting, 4" Centreset



**P1010 Specification:** Commercial grade 4" lavatory supply fitting complete with "H" and "C" indexed acrylic handles, Dial-ese® cartridges, and a 2.0 GPM (7.6 L/min) aerator. Heavy duty cast brass body has a resilient polished chrome plated finish and 1/2"-14 NPSM threaded inlets.

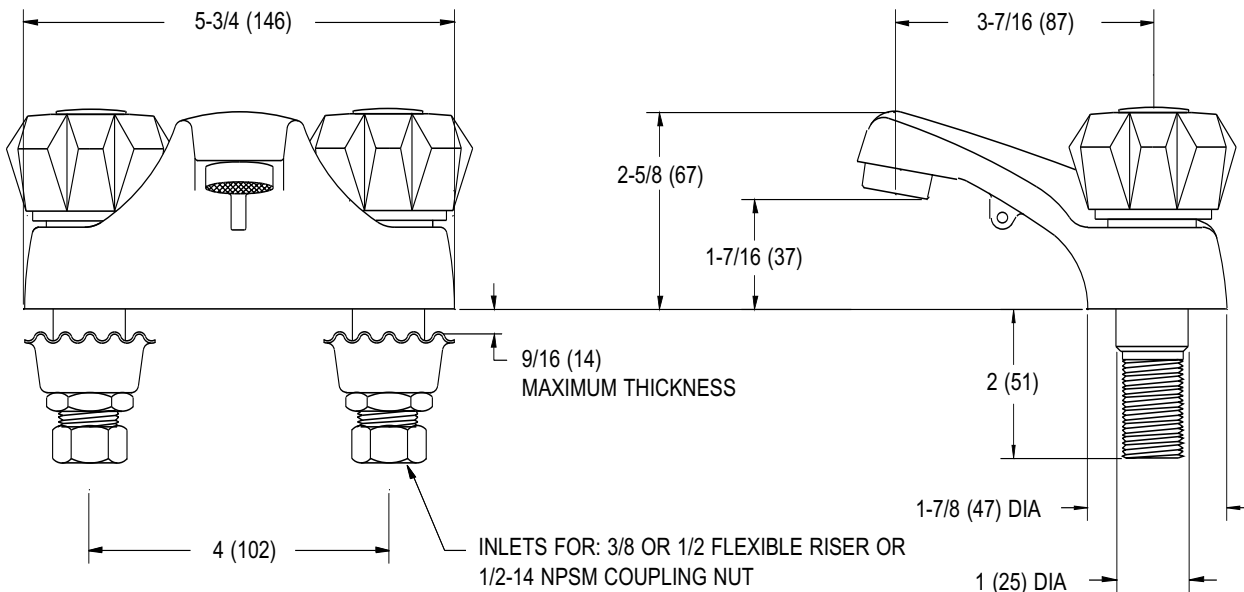
**Maximum Operating Pressure Rating** ..... 125 PSI (860 KPa)

**Maximum Operating Temperature Rating** ..... 65 C (150 F)

**Shipping Weight** ..... 4.0 Lbs (1.8 Kg)



**P1010 Model Shown**



*Dimensions shown in inches (mm) are for reference only and are subject to change.*

**Ordering Code:**

**P1010 - - -**

**Outlet Options**

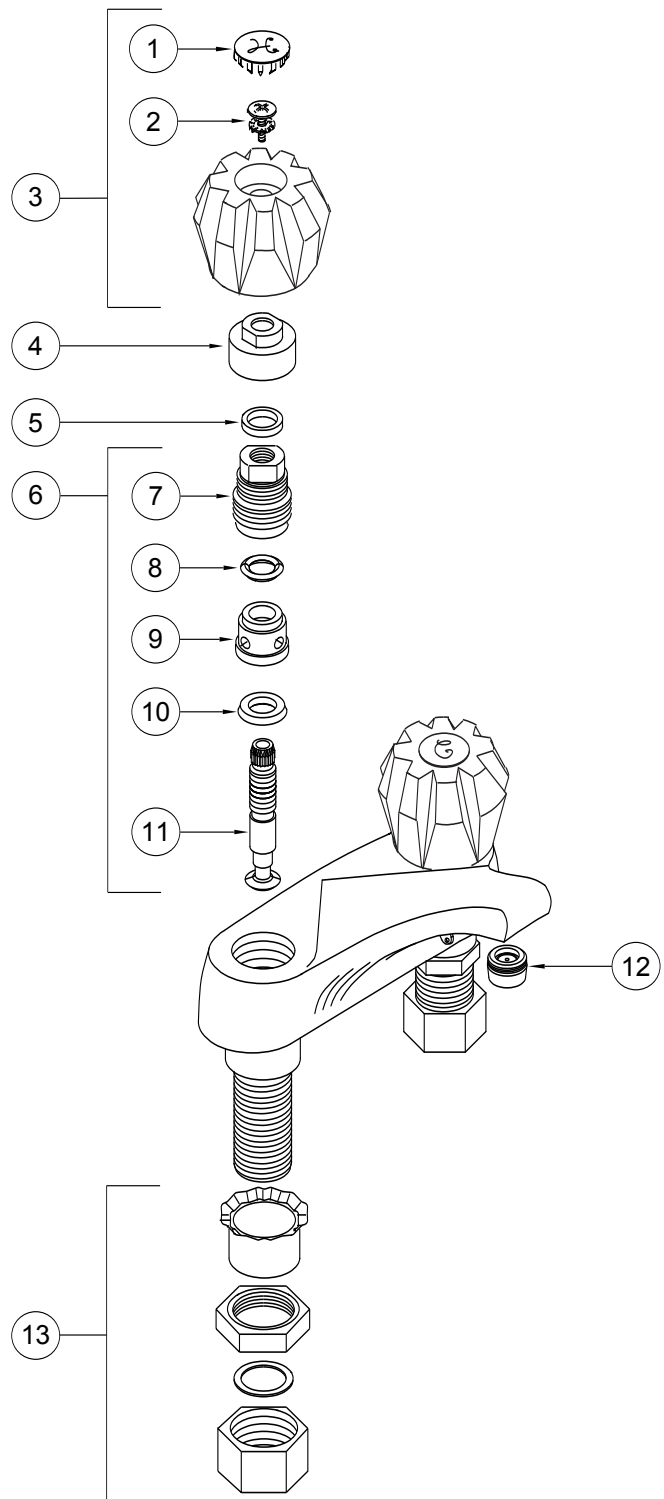
- Aerator (0.5 GPM, 1.9 L/min) **A5**
- Laminar Flow Outlet (2.0 GPM, 7.6 L/min) **LF**
- Spray Face (2.0 GPM, 7.6 L/min) **SF**
- Vandal Resistant Aerator (0.5 GPM, 1.9 L/min) **V5**
- Vandal Resistant Aerator (2.0 GPM, 7.6 L/min) **VA**
- Vandal Resistant Laminar Flow (2.0 GPM, 7.6 L/min) **VF**

**Additional Options**

- SC** Self-Closing Cartridges
- VH** Vandal Resistant Handles
- QT** Quarter Turn Cartridges
- CS** 1-1/4" Chain Stay Drain (P3903)
- GD** 1-1/4" Grid Drain (P3902)
- OG** 1-1/4" Offset Grid Drain (P3906)

#	Description	Part #*
1	Button, Cold	039290-BP5
	Button, Hot	039289-BP5
2	Screw	039327-BP25
3	Acrylic Handle Assy., Cold	039287
	Acrylic Handle Assy., Hot	039288
4	Locknut	039028-BP10
5	O-Ring	039035-BP10
6	Cartridge	039038-BP5
7	Centrepiece	039032-BP5
8	O-Ring	039034-BP10
9	Sleeve	039033-BP10
10	Seat Ring	039039-BP10
11	Stem	039030-BP10
12	Aerator	300911
13	Hardware Kit	039280

\*BPx denotes the bulk pack quantity



# P1020 Lavatory Fitting, 4" Centreset



**P1020 Specification:** Commercial grade 4" lavatory supply fitting complete with "H" and "C" indexed hooded lever metal handles, Dial-ese® cartridges, and a 2.0 GPM (7.6 L/min) aerator. Heavy duty cast brass body has a resilient polished chrome plated finish and 1/2"-14 NPSM threaded inlets.

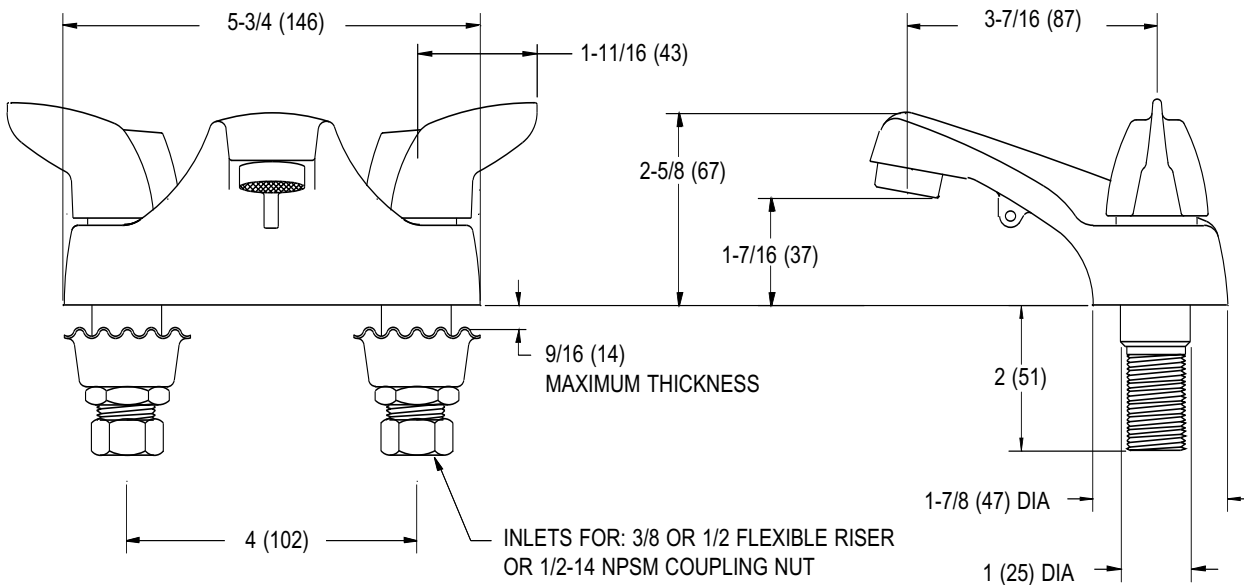
**Maximum Operating Pressure Rating** ..... 125 PSI (860 KPa)

**Maximum Operating Temperature Rating** ..... 65 C (150 F)

**Shipping Weight** ..... 4.0 Lbs (1.8 Kg)



**P1020 Model Shown**



*Dimensions shown in inches (mm) are for reference only and are subject to change.*

**Ordering Code:**

**P1020 - - -**

**Outlet Options**

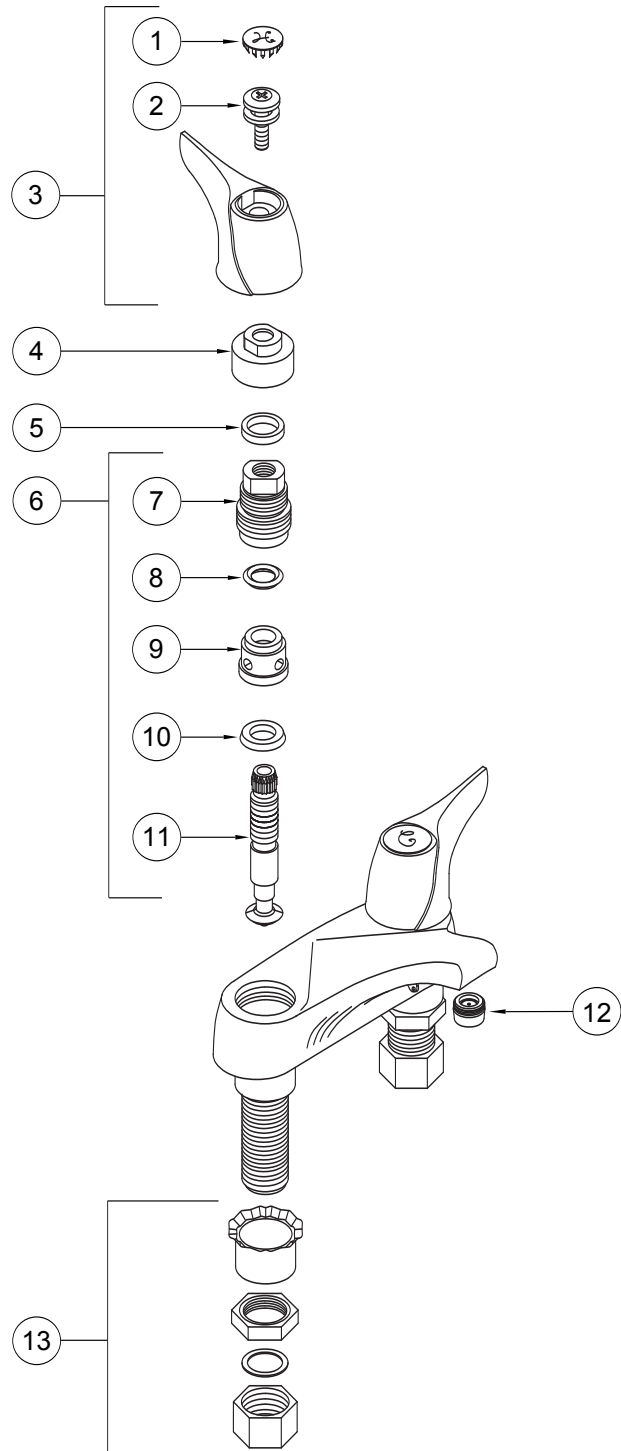
- Aerator (0.5 GPM, 1.9 L/min) **A5**
- Laminar Flow Outlet (2.0 GPM, 7.6 L/min) **LF**
- Spray Face (2.0 GPM, 7.6 L/min) **SF**
- Vandal Resistant Aerator (0.5 GPM, 1.9 L/min) **V5**
- Vandal Resistant Aerator (2.0 GPM, 7.6 L/min) **VA**
- Vandal Resistant Laminar Flow (2.0 GPM, 7.6 L/min) **VF**

**Additional Options**

- SC** Self-Closing Cartridges
- VH** Vandal Resistant Handles
- QT** Quarter Turn Cartridges
- CS** 1-1/4" Chain Stay Drain (P3903)
- GD** 1-1/4" Grid Drain (P3902)
- OG** 1-1/4" Offset Grid Drain (P3906)

#	Description	Part #*
1	Button, Cold	039293-BP5
	Button, Hot	039294-BP5
2	Screw	039328-BP25
3	Lever Handle Assy., Cold	039292
	Lever Handle Assy., Hot	039291
4	Locknut	039028-BP10
5	O-Ring	039035-BP10
6	LH Cartridge	039038-BP5
	RH Cartridge	039037-BP5
7	LH Centrepiece	039032-BP5
	RH Centrepiece	039031-BP5
8	O-Ring	039034-BP10
9	Sleeve	039033-BP10
10	Seat Ring	039039-BP10
11	LH Stem	039030-BP10
	RH Stem	039029-BP10
12	Aerator	300911
13	Hardware Kit	039280

\*BPx denotes the bulk pack quantity



# P1030 Lavatory Fitting, 4" Centreset



**P1030 Specification:** Commercial grade 4" lavatory supply fitting complete with colour indexed 3" metal blade handles, Dial-ese® cartridges, and a 2.0 GPM (7.6 L/min) aerator. Heavy duty cast brass body has a resilient polished chrome plated finish and 1/2"-14 NPSM threaded inlets.

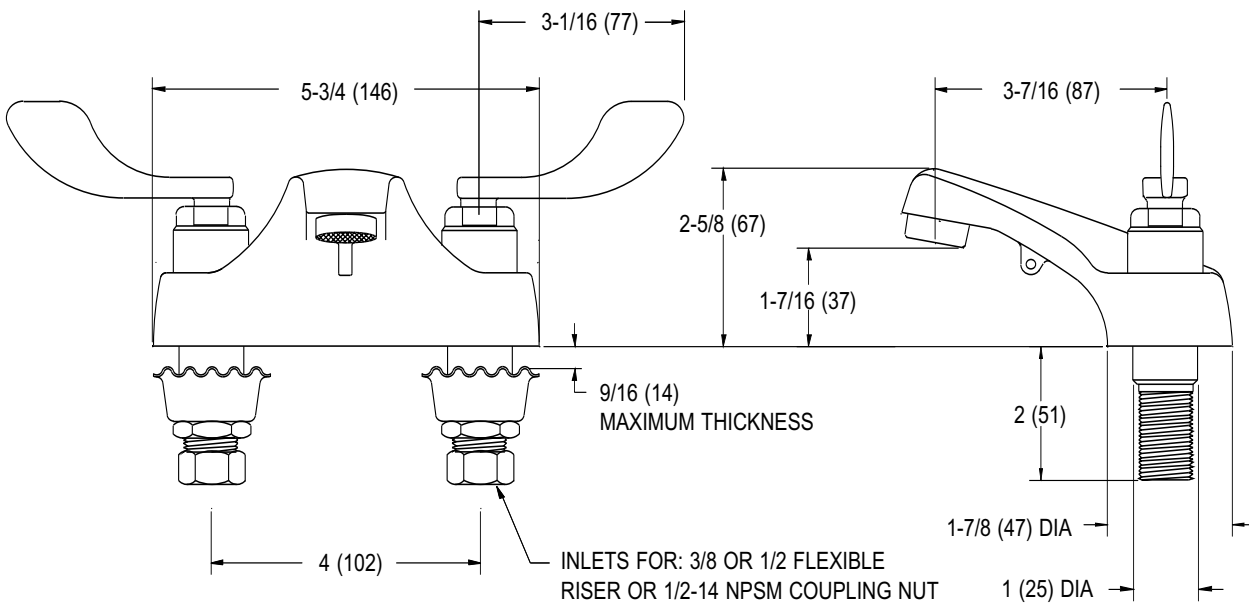


**Maximum Operating Pressure Rating** ..... 125 PSI (860 KPa)

**Maximum Operating Temperature Rating** ..... 65 C (150 F)

**Shipping Weight** ..... 4.0 Lbs (1.8 Kg)

**P1030 Model Shown**



*Dimensions shown in inches (mm) are for reference only and are subject to change.*

**Ordering Code:**

**P1030 - - -**

**Outlet Options**

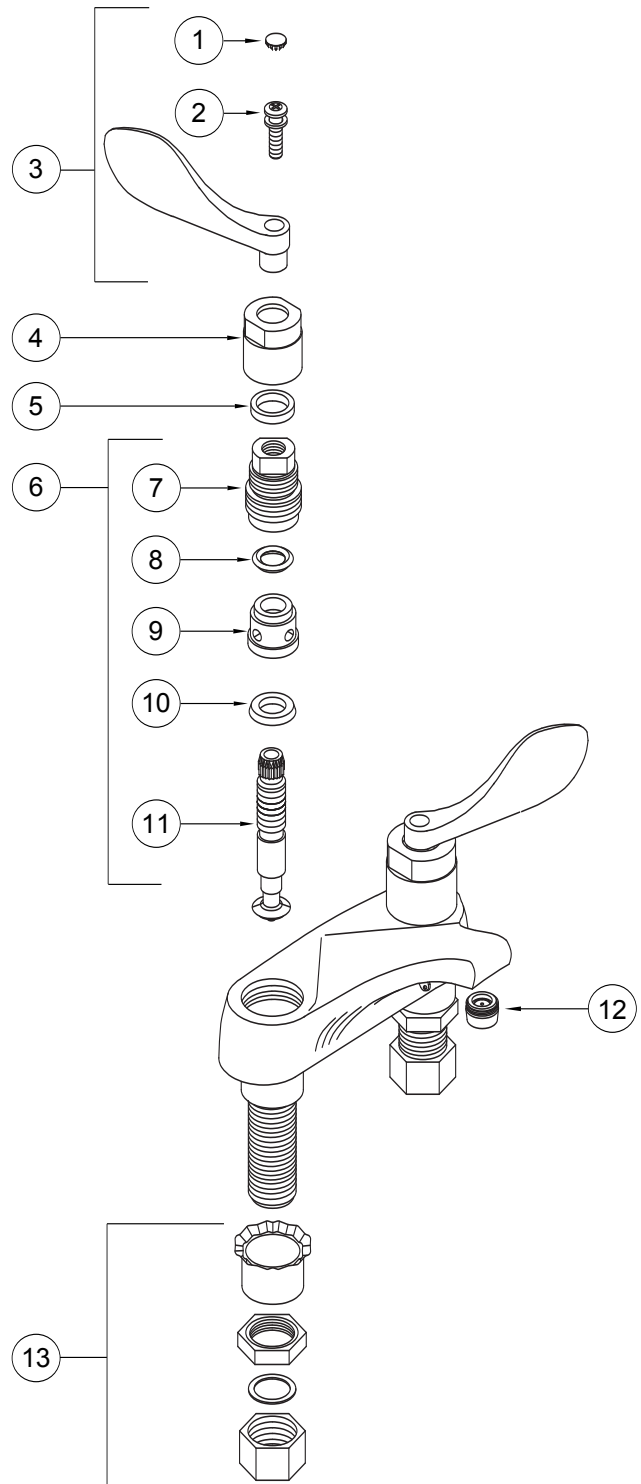
- Aerator (0.5 GPM, 1.9 L/min) **A5**
- Laminar Flow Outlet (2.0 GPM, 7.6 L/min) **LF**
- Spray Face (2.0 GPM, 7.6 L/min) **SF**
- Vandal Resistant Aerator (0.5 GPM, 1.9 L/min) **V5**
- Vandal Resistant Aerator (2.0 GPM, 7.6 L/min) **VA**
- Vandal Resistant Laminar Flow (2.0 GPM, 7.6 L/min) **VF**

**Additional Options**

- SC** Self-Closing Cartridges
- VH** Vandal Resistant Handles
- QT** Quarter Turn Cartridges
- CS** 1-1/4" Chain Stay Drain (P3903)
- GD** 1-1/4" Grid Drain (P3902)
- OG** 1-1/4" Offset Grid Drain (P3906)

#	Description	Part #*
1	Button, Blue	039298-BP5
	Button, Red	039297-BP5
2	Screw	039328-BP25
3	3" Blade Handle Assy., Blue	039296
	3" Blade Handle Assy., Red	039295
4	Locknut	300631
5	O-Ring	039035-BP10
6	LH Cartridge	039038-BP5
	RH Cartridge	039037-BP5
7	LH Centrepiece	039032-BP5
	RH Centrepiece	039031-BP5
8	O-Ring	039034-BP10
9	Sleeve	039033-BP10
10	Seat Ring	039039-BP10
11	LH Stem	039030-BP10
	RH Stem	039029-BP10
12	Aerator	300911
13	Hardware Kit	039280

\*BPx denotes the bulk pack quantity



# P1040 Lavatory Fitting, 4" Centreset



**P1040 Specification:** Commercial grade 4" lavatory supply fitting complete with colour indexed 4-1/2" metal blade handles, Dial-ese® cartridges, and a 2.0 GPM (7.6 L/min) aerator. Heavy duty cast brass body has a resilient polished chrome plated finish and 1/2"-14 NPSM threaded inlets.

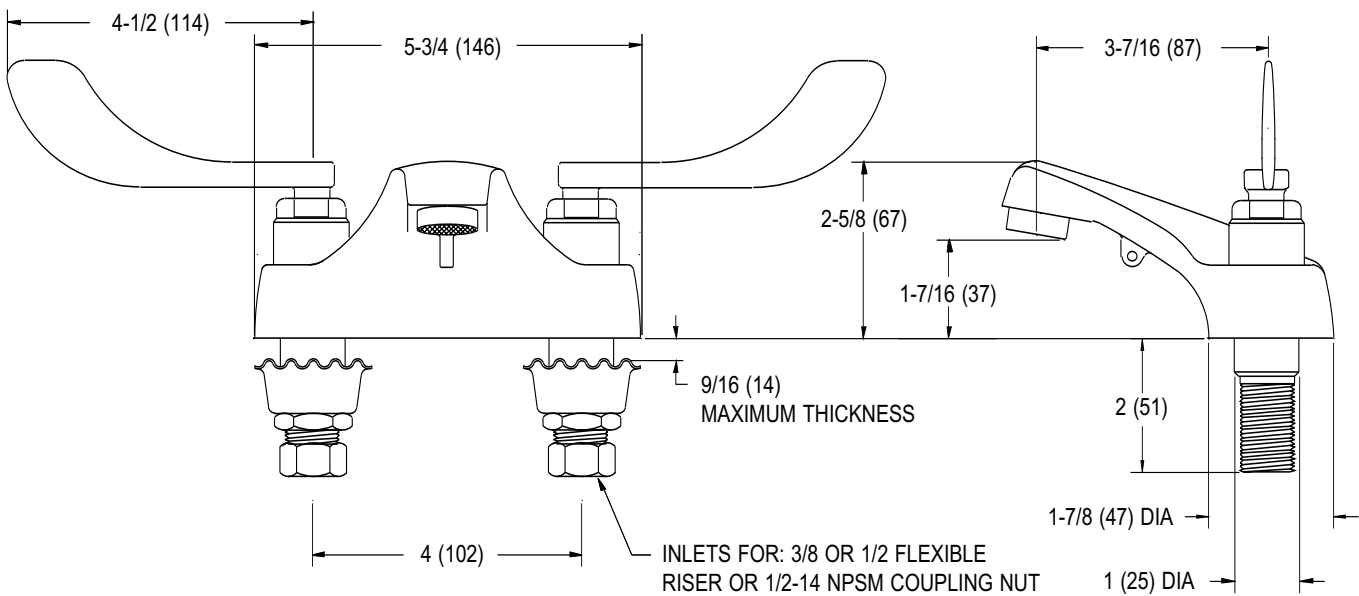


**Maximum Operating Pressure Rating** ..... 125 PSI (860 KPa)

**Maximum Operating Temperature Rating** ..... 65 C (150 F)

**Shipping Weight** ..... 4.0 Lbs (1.8 Kg)

**P1040 Model Shown**



*Dimensions shown in inches (mm) are for reference only and are subject to change.*

**Ordering Code:**

**P1040 - - -**

**Outlet Options**

- Aerator (0.5 GPM, 1.9 L/min) **A5**
- Laminar Flow Outlet (2.0 GPM, 7.6 L/min) **LF**
- Spray Face (2.0 GPM, 7.6 L/min) **SF**
- Vandal Resistant Aerator (0.5 GPM, 1.9 L/min) **V5**
- Vandal Resistant Aerator (2.0 GPM, 7.6 L/min) **VA**
- Vandal Resistant Laminar Flow (2.0 GPM, 7.6 L/min) **VF**

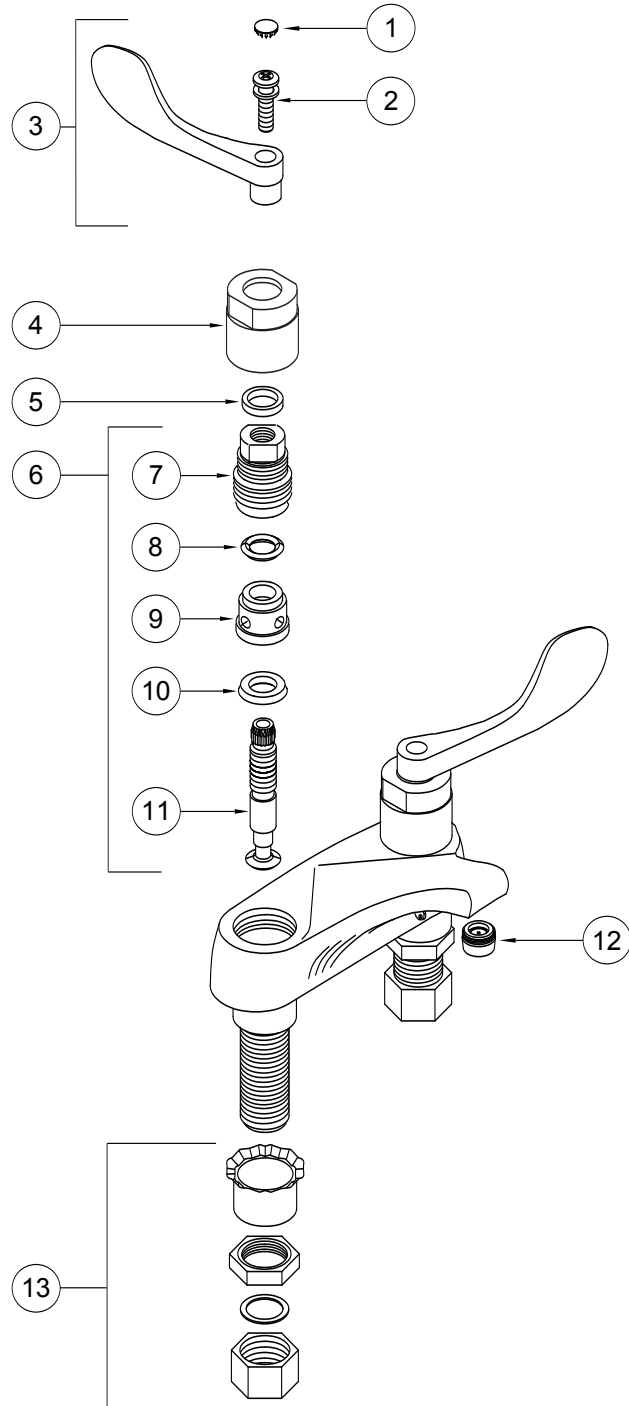
**Additional Options**

- VH** Vandal Resistant Handles
- QT** Quarter Turn Cartridges
- CS** 1-1/4" Chain Stay Drain (P3903)
- GD** 1-1/4" Grid Drain (P3902)
- OG** 1-1/4" Offset Grid Drain (P3906)



#	Description	Part #*
1	Button, Blue	039298-BP5
	Button, Red	039297-BP5
2	Screw	039328-BP25
3	4-1/2" Blade Handle Assy., Blue	039300
	4-1/2" Blade Handle Assy., Red	039299
4	Locknut	300631
5	O-Ring	039035-BP10
6	LH Cartridge	039038-BP5
	RH Cartridge	039037-BP5
7	LH Centrepiece	039032-BP5
	RH Centrepiece	039031-BP5
8	O-Ring	039034-BP10
9	Sleeve	039033-BP10
10	Seat Ring	039039-BP10
11	LH Stem	039030-BP10
	RH Stem	039029-BP10
12	Aerator	300911
13	Hardware Kit	039280

\*BPx denotes the bulk pack quantity



# P1050 Lavatory Fitting, 4" Centreset



**P1050 Specification:** Commercial grade 4" lavatory supply fitting complete with "H" and "C" indexed 5-rib metal handles, Dial-ese® cartridges, and a 2.0 GPM (7.6 L/min) aerator. Heavy duty cast brass body has a resilient polished chrome plated finish and 1/2"-14 NPSM threaded inlets.

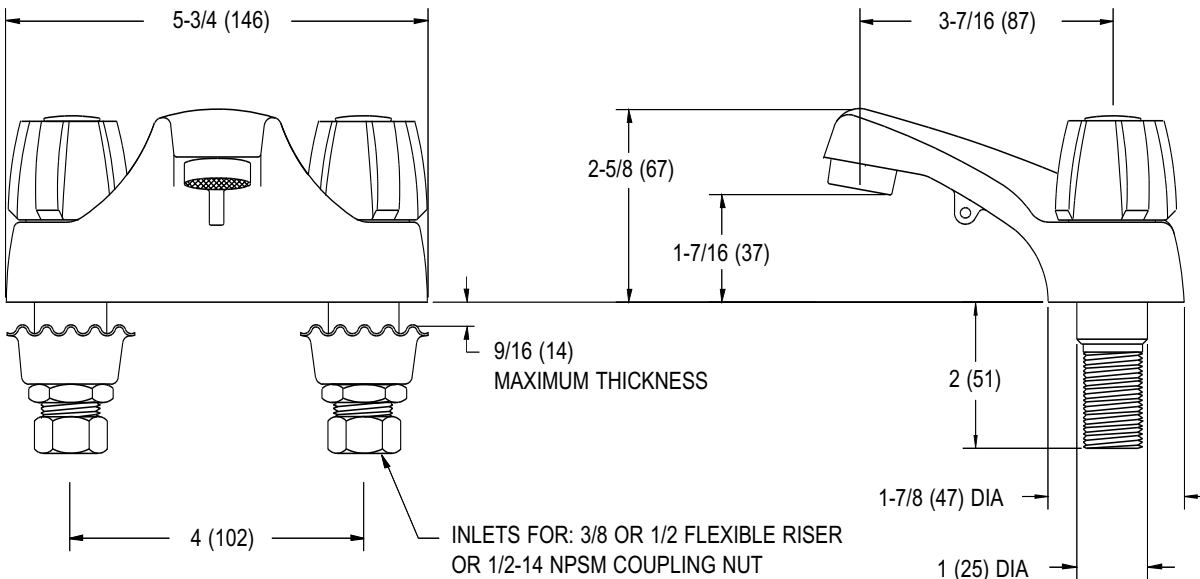
**Maximum Operating Pressure Rating** ..... 125 PSI (860 KPa)

**Maximum Operating Temperature Rating** ..... 65 C (150 F)

**Shipping Weight** ..... 4.0 Lbs (1.8 Kg)



**P1050 Model Shown**



*Dimensions shown in inches (mm) are for reference only and are subject to change.*

**Ordering Code:**

**P1050 - - -**

**Outlet Options**

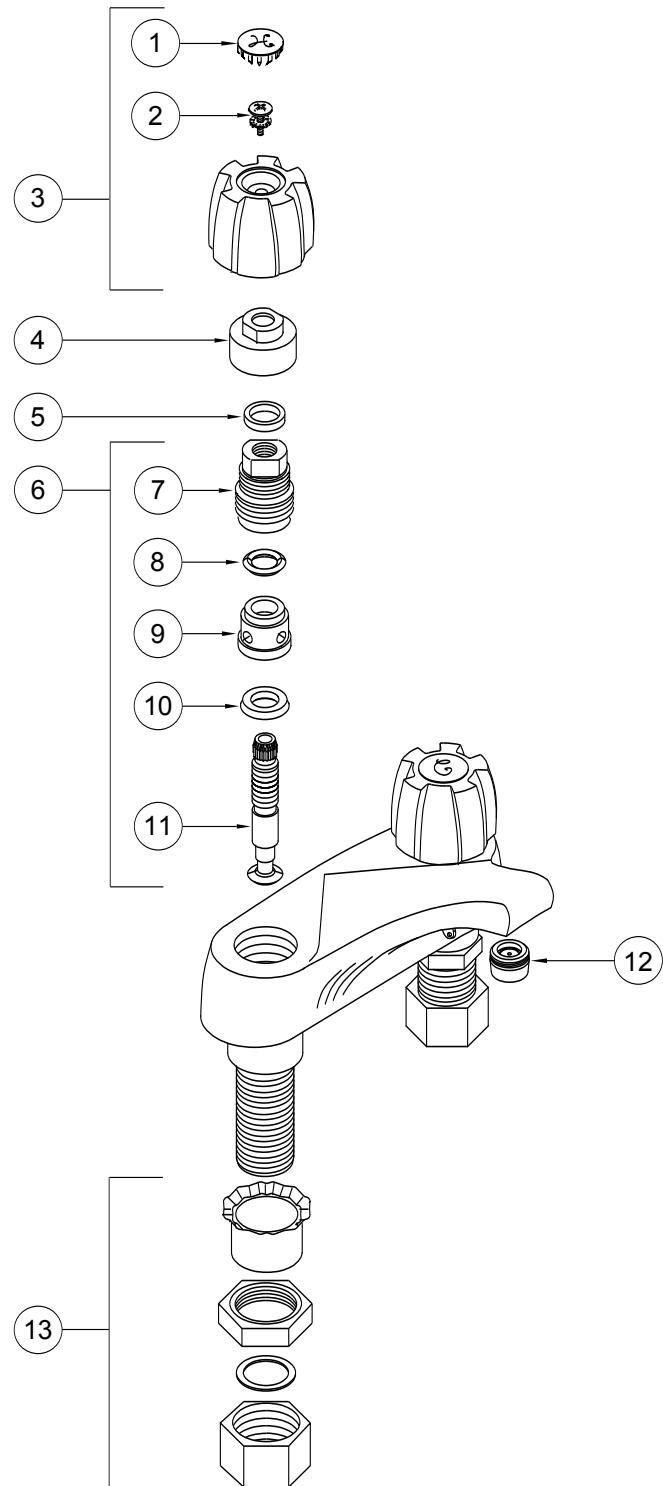
- Aerator (0.5 GPM, 1.9 L/min) **A5**
- Laminar Flow Outlet (2.0 GPM, 7.6 L/min) **LF**
- Spray Face (2.0 GPM, 7.6 L/min) **SF**
- Vandal Resistant Aerator (0.5 GPM, 1.9 L/min) **V5**
- Vandal Resistant Aerator (2.0 GPM, 7.6 L/min) **VA**
- Vandal Resistant Laminar Flow (2.0 GPM, 7.6 L/min) **VF**

**Additional Options**

- SC** Self-Closing Cartridges
- VH** Vandal Resistant Handles
- QT** Quarter Turn Cartridges
- CS** 1-1/4" Chain Stay Drain (P3903)
- GD** 1-1/4" Grid Drain (P3902)
- OG** 1-1/4" Offset Grid Drain (P3906)

#	Description	Part #*
1	Button, Cold	039306-BP5
	Button, Hot	039305-BP5
2	Screw	039328-BP25
3	5-Rib Handle Assy., Cold	039303
	5-Rib Handle Assy., Hot	039304
4	Locknut	039028-BP10
5	O-Ring	039035-BP10
6	Cartridge	039038-BP5
7	Centrepiece	039032-BP5
8	O-Ring	039034-BP10
9	Sleeve	039033-BP10
10	Seat Ring	039039-BP10
11	Stem	039030-BP10
12	Aerator	300911
13	Hardware Kit	039280

\*BPx denotes the bulk pack quantity



# P1060 Lavatory Fitting, 4" Centreset



**P1060 Specification:** Commercial grade 4" lavatory supply fitting complete with colour indexed 6" metal blade handles, Dial-ese® cartridges, and a 2.0 GPM (7.6 L/min) aerator. Heavy duty cast brass body has a resilient polished chrome plated finish and 1/2"-14 NPSM threaded inlets.

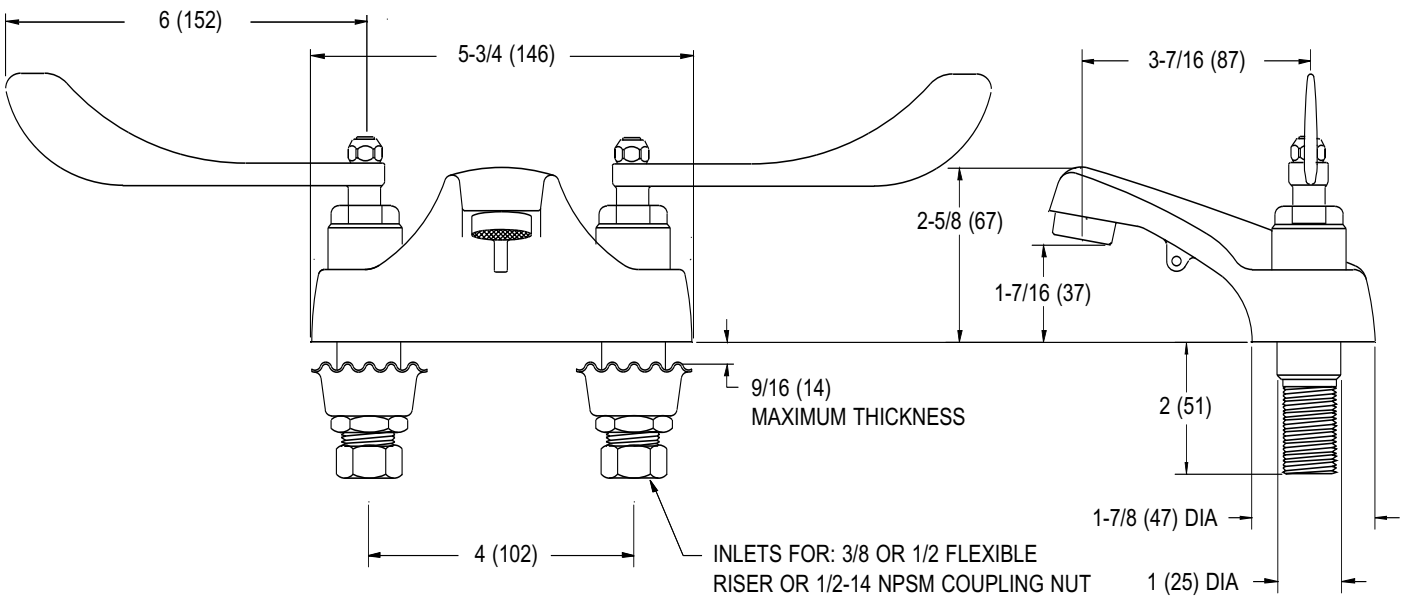


**Maximum Operating Pressure Rating** ..... 125 PSI (860 KPa)

**Maximum Operating Temperature Rating** ..... 65 C (150 F)

**Shipping Weight** ..... 4.0 Lbs (1.8 Kg)

**P1060 Model Shown**



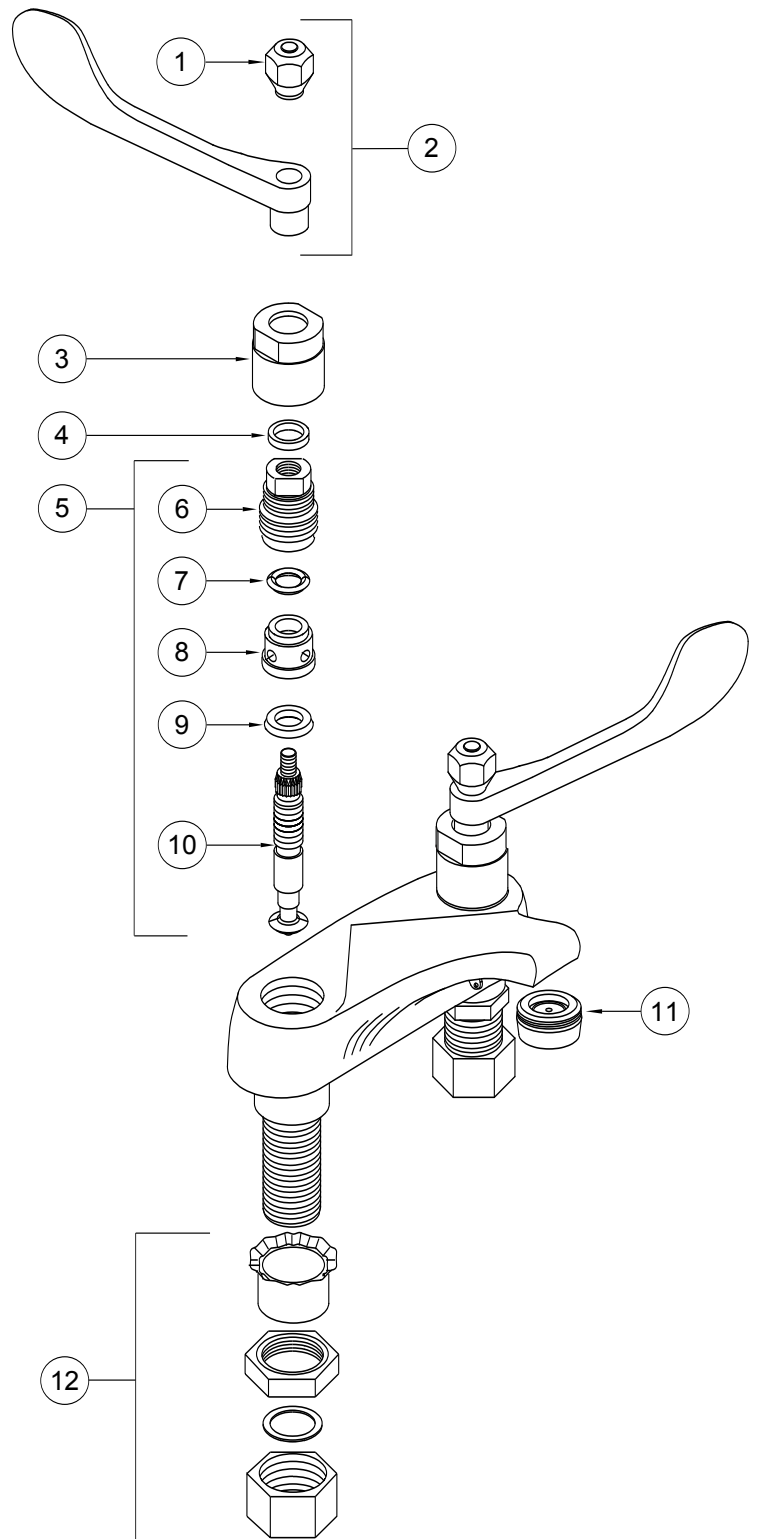
*Dimensions shown in inches (mm) are for reference only and are subject to change.*

**Ordering Code:**

<b>P1060 - -</b>	
<p><b>Outlet Options</b></p> <p>Aerator (0.5 GPM, 1.9 L/min) <b>A5</b> <input type="checkbox"/></p> <p>Laminar Flow Outlet (2.0 GPM, 7.6 L/min) <b>LF</b> <input type="checkbox"/></p> <p>Spray Face (2.0 GPM, 7.6 L/min) <b>SF</b> <input type="checkbox"/></p> <p>Vandal Resistant Aerator (0.5 GPM, 1.9 L/min) <b>V5</b> <input type="checkbox"/></p> <p>Vandal Resistant Aerator (2.0 GPM, 7.6 L/min) <b>VA</b> <input type="checkbox"/></p> <p>Vandal Resistant Laminar Flow (2.0 GPM, 7.6 L/min) <b>VF</b> <input type="checkbox"/></p>	<p><b>Additional Options</b></p> <p><b>CS</b> 1-1/4" Chain Stay Drain (P3903) <input type="checkbox"/></p> <p><b>GD</b> 1-1/4" Grid Drain (P3902) <input type="checkbox"/></p> <p><b>OG</b> 1-1/4" Offset Grid Drain (P3906) <input type="checkbox"/></p> <p><b>QT</b> Quarter Turn Cartridges <input type="checkbox"/></p>

#	Description	Part #*
1	Cap Nut, Blue	039302-BP5
	Cap Nut, Red	039301-BP5
2	6" Blade Handle Assy., Blue	039319
	6" Blade Handle Assy., Red	039320
3	Locknut	300631
4	O-Ring	039035-BP10
5	LH Cartridge	039064-BP5
	RH Cartridge	039065-BP5
6	LH Centrepiece	039032-BP5
	RH Centrepiece	039031-BP5
7	O-Ring	039034-BP10
8	Sleeve	039033-BP10
9	Seat Ring	039039-BP10
10	LH Stem	039055-BP5
	RH Stem	039056-BP5
11	Aerator	300911
12	Hardware Kit	039280

\*BPx denotes the bulk pack quantity



# P1070 Lavatory Fitting, 4" Centreset



**P1070 Specification:** Commercial grade 4" lavatory supply fitting complete with colour indexed metal cross handles, Dial-ese® cartridges, and a 2.0 GPM (7.6 L/min) aerator. Heavy duty cast brass body has a resilient polished chrome plated finish and 1/2"-14 NPSM threaded inlets.

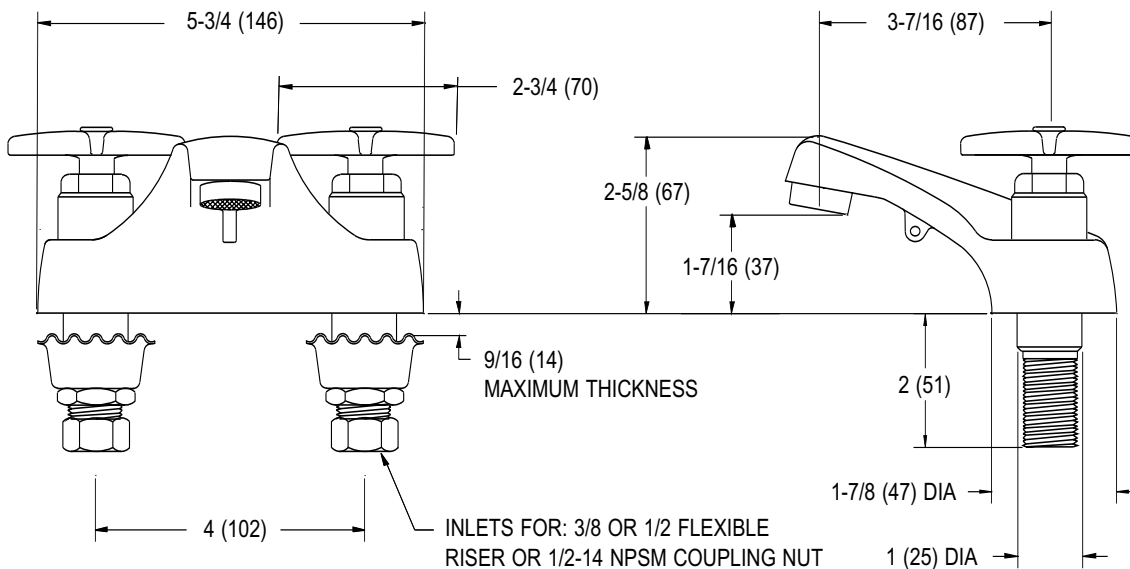


**Maximum Operating Pressure Rating** ..... 125 PSI (860 KPa)

**Maximum Operating Temperature Rating** ..... 65 C (150 F)

**Shipping Weight** ..... 4.0 Lbs (1.8 Kg)

**P1070 Model Shown**



Dimensions shown in inches (mm) are for reference only and are subject to change.



**Ordering Code:**

**P1070 - - -**

**Outlet Options**

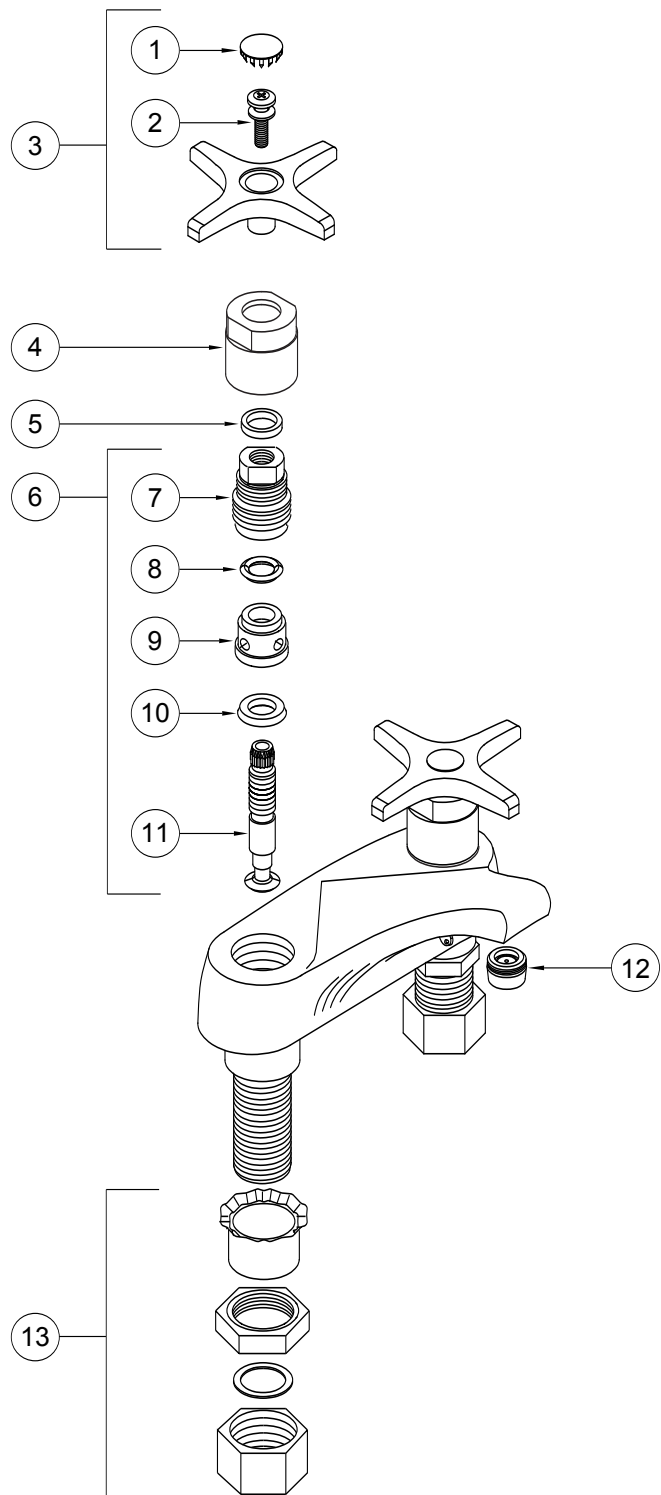
- Aerator (0.5 GPM, 1.9 L/min) **A5**
- Laminar Flow Outlet (2.0 GPM, 7.6 L/min) **LF**
- Spray Face (2.0 GPM, 7.6 L/min) **SF**
- Vandal Resistant Aerator (0.5 GPM, 1.9 L/min) **V5**
- Vandal Resistant Aerator (2.0 GPM, 7.6 L/min) **VA**
- Vandal Resistant Laminar Flow (2.0 GPM, 7.6 L/min) **VF**

**Additional Options**

- SC** Self-Closing Cartridges
- VH** Vandal Resistant Handles
- QT** Quarter Turn Cartridges
- CS** 1-1/4" Chain Stay Drain (P3903)
- GD** 1-1/4" Grid Drain (P3902)
- OG** 1-1/4" Offset Grid Drain (P3906)

#	Description	Part #*
1	Button, Blue	039298-BP5
	Button, Red	039297-BP5
2	Screw	039328-BP25
3	Cross Handle Assy., Blue	039313
	Cross Handle Assy., Red	039314
4	Locknut	300631
5	O-Ring	039035-BP10
6	Cartridge	039038-BP5
7	Centrepiece	039032-BP5
8	O-Ring	039034-BP10
9	Sleeve	039033-BP10
10	Seat Ring	039039-BP10
11	Stem	039030-BP10
12	Aerator	300911
13	Hardware Kit	039280

\*BPx denotes the bulk pack quantity



# P1105 Lavatory Fitting, 4" With Pop-Up



**P1105 Specification:** Commercial grade 4" lavatory supply fitting complete with pop-up waste, colour indexed vandal resistant metal handles, metering cartridges, and a 2.0 GPM (7.6 L/min) aerator. Heavy duty cast brass body has a resilient polished chrome plated finish. Time adjustable from 1 to 20 seconds.

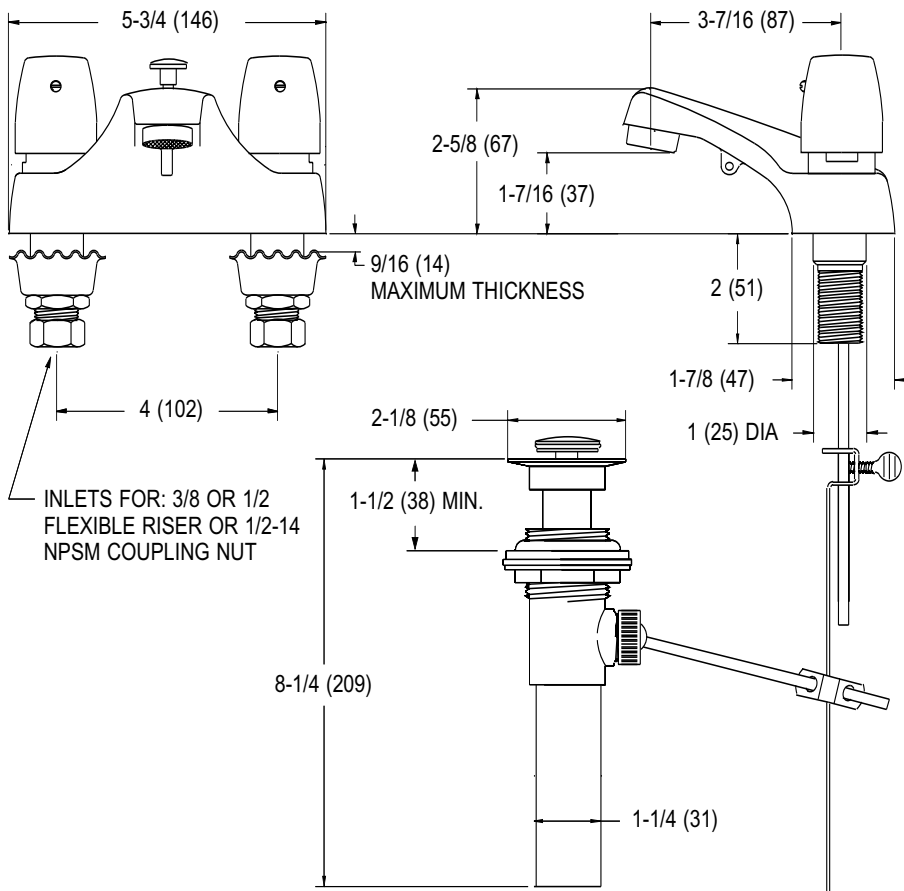
**Maximum Operating Pressure Rating** ..... 125 PSI (860 KPa)

**Maximum Operating Temperature Rating** ..... 65 C (150 F)

**Shipping Weight** ..... 5.6 Lbs (2.5 Kg)



**P1105 Model Shown**



*Dimensions shown in inches (mm) are for reference only and are subject to change.*

**Ordering Code:**

**P1105 -**

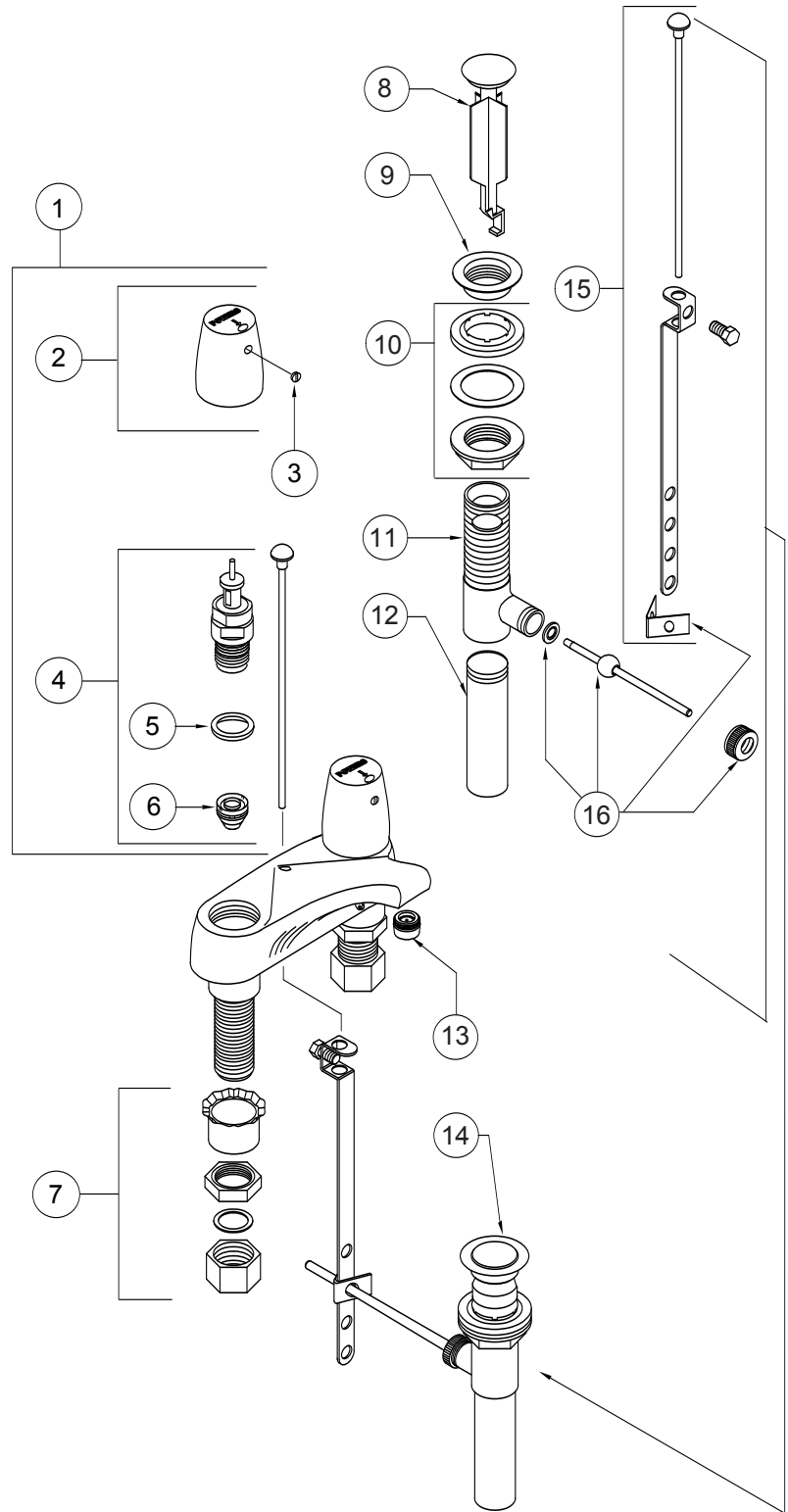
**Outlet Options**

- Aerator (0.5 GPM, 1.9 L/min) **A5**
- Laminar Flow Outlet (2.0 GPM, 7.6 L/min) **LF**
- Spray Face (2.0 GPM, 7.6 L/min) **SF**
- Vandal Resistant Aerator (0.5 GPM, 1.9 L/min) **V5**
- Vandal Resistant Aerator (2.0 GPM, 7.6 L/min) **VA**
- Vandal Resistant Laminar Flow (2.0 GPM, 7.6 L/min) **VF**



#	Description	Part #*
1	Cartridge/Handle Kit	675-031
2	Handle Kit	675-026
3	Handle Button Kit	675-032
4	Cartridge Kit	675-036
5	O-Ring	084-025
6	Diaphragm/Filter	675-028
7	Hardware Kit	039280
8	Stopper and Guide	039332
9	Collar	311181
10	Locknut and Gasket	039333
11	Waste Body	311178
12	Tailpiece	311179
13	Aerator	300911
14	Complete Pop-Up Waste	355098
15	Lift Rod Assy.	039335
16	Fulcrum Rod Kit	039334
17	Filter Wrench (Not Shown)	675035-BP5

\*BPx denotes the bulk pack quantity



# P1110 Lavatory Fitting, 4" With Pop-Up



**P1110 Specification:** Commercial grade 4" lavatory supply fitting complete with pop-up waste, "H" and "C" indexed acrylic handles, Dial-ese® cartridges, and a 2.0 GPM (7.6 L/min) aerator. Heavy duty cast brass body has a resilient polished chrome plated finish and 1/2"-14 NPSM threaded inlets.

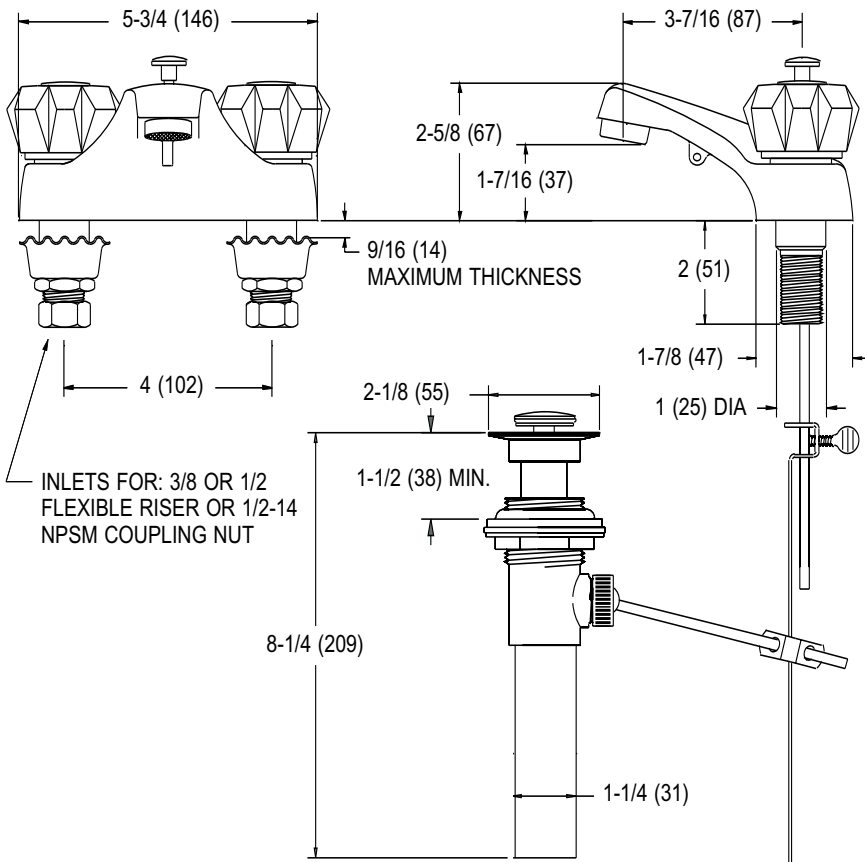
**Maximum Operating Pressure Rating** ..... 125 PSI (860 KPa)

**Maximum Operating Temperature Rating** ..... 65 C (150 F)

**Shipping Weight** ..... 5.6 Lbs (2.5 Kg)



**P1110 Model Shown**



Dimensions shown in inches (mm) are for reference only and are subject to change.



**Ordering Code:**

**P1110 - -**

**Outlet Options**

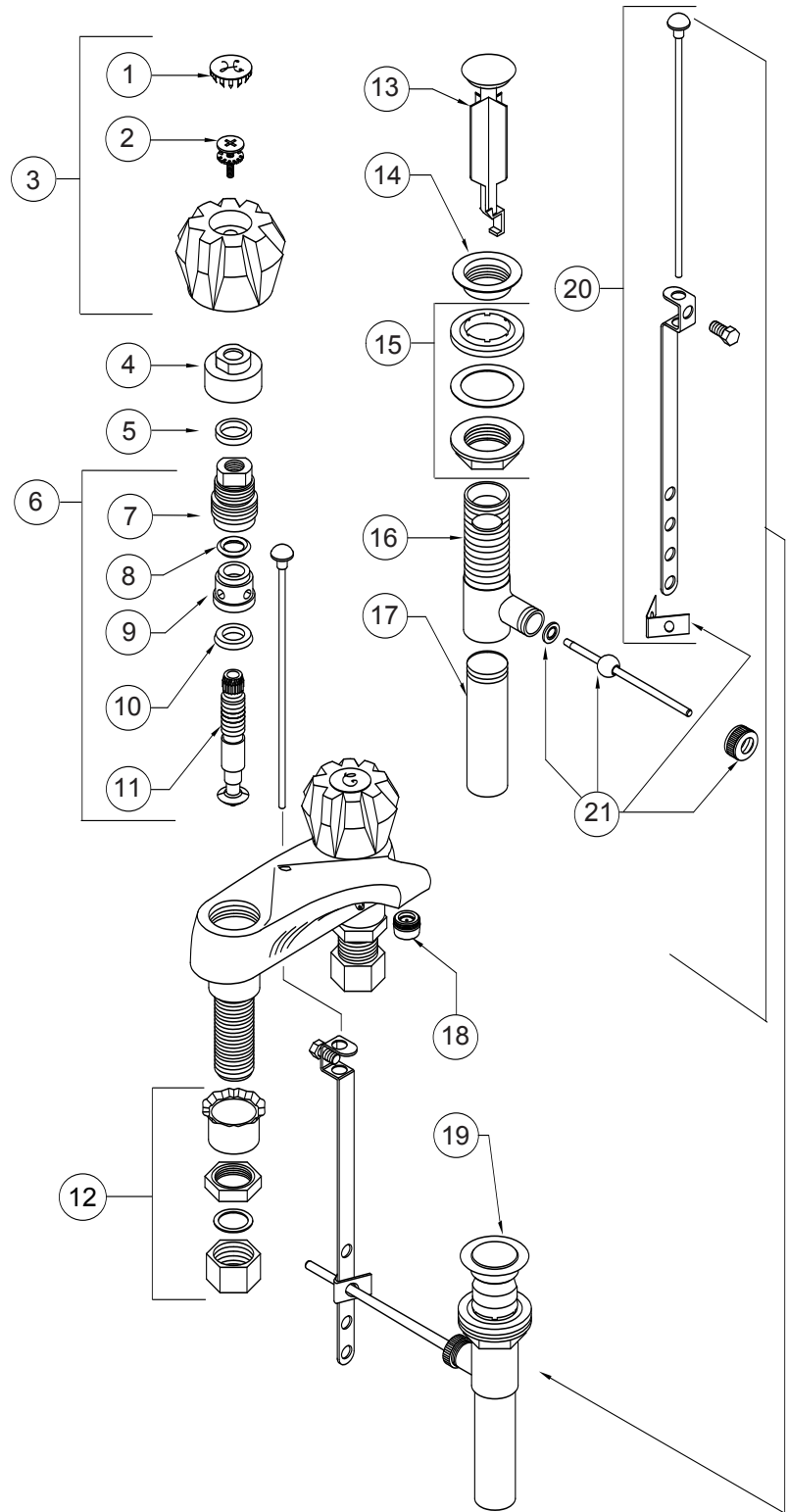
- Aerator (0.5 GPM, 1.9 L/min) **A5**
- Laminar Flow Outlet (2.0 GPM, 7.6 L/min) **LF**
- Spray Face (2.0 GPM, 7.6 L/min) **SF**
- Vandal Resistant Aerator (0.5 GPM, 1.9 L/min) **V5**
- Vandal Resistant Aerator (2.0 GPM, 7.6 L/min) **VA**
- Vandal Resistant Laminar Flow (2.0 GPM, 7.6 L/min) **VF**

**Additional Options**

- SC** Self-Closing Cartridges
- VH** Vandal Resistant Handles
- QT** Quarter Turn Cartridges

#	Description	Part #*
1	Button, Cold	039290-BP5
	Button, Hot	039289-BP5
2	Screw	039327-BP25
3	Acrylic Handle Assy., Cold	039287
	Acrylic Handle Assy., Hot	039288
4	Locknut	039028-BP10
5	O-Ring	039035-BP10
6	Cartridge	039038-BP5
7	Centrepiece	039032-BP5
8	O-Ring	039034-BP10
9	Sleeve	039033-BP10
10	Seat Ring	039039-BP10
11	Stem	039030-BP10
12	Hardware Kit	039280
13	Stopper and Guide	039332
14	Collar	311181
15	Locknut and Gasket	039333
16	Waste Body	311178
17	Tailpiece	311179
18	Aerator	300911
19	Complete Pop-Up Waste	355098
20	Lift Rod Assy.	039335
21	Fulcrum Rod Kit	039334

\*BPx denotes the bulk pack quantity



# P1120 Lavatory Fitting, 4" With Pop-Up



**P1120 Specification:** Commercial grade 4" lavatory supply fitting complete with pop-up waste, "H" and "C" indexed hooded lever metal handles, Dial-ese® cartridges, and a 2.0 GPM (7.6L/min) aerator. Heavy duty cast brass body has a resilient polished chrome plated finish and 1/2"-14 NPSM threaded inlets.

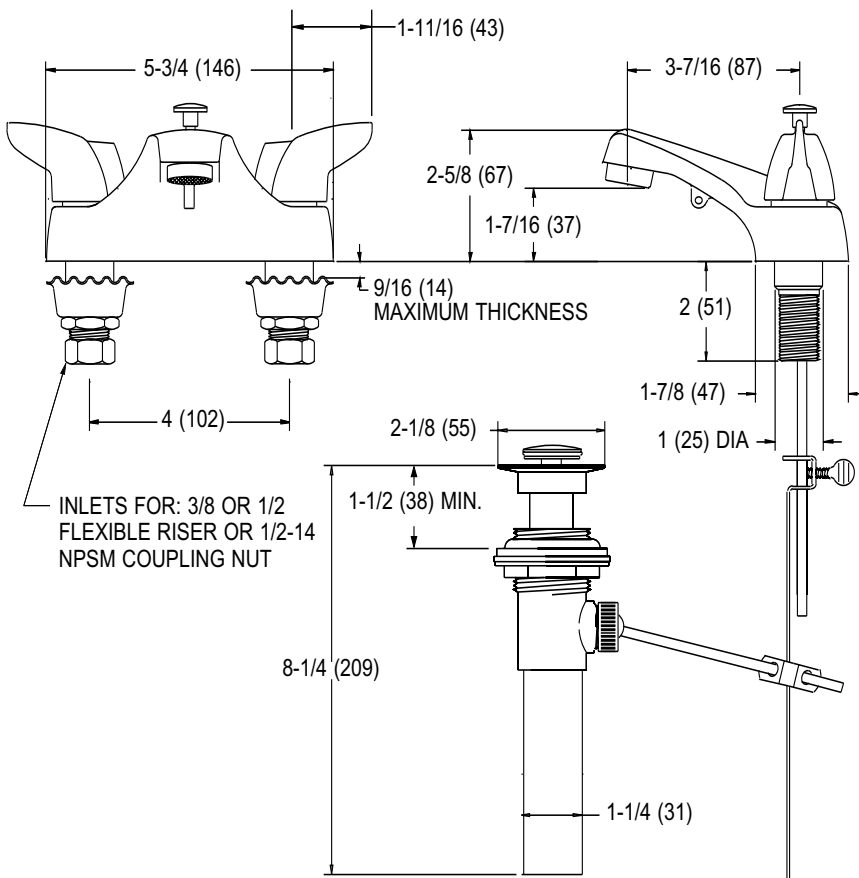
**Maximum Operating Pressure Rating** ..... 125 PSI (860 KPa)

**Maximum Operating Temperature Rating** ..... 65 C (150 F)

**Shipping Weight** ..... 5.6 Lbs (2.5 Kg)



**P1120 Model Shown**



Dimensions shown in inches (mm) are for reference only and are subject to change.

**Ordering Code:**

**P1120 - -**

**Outlet Options**

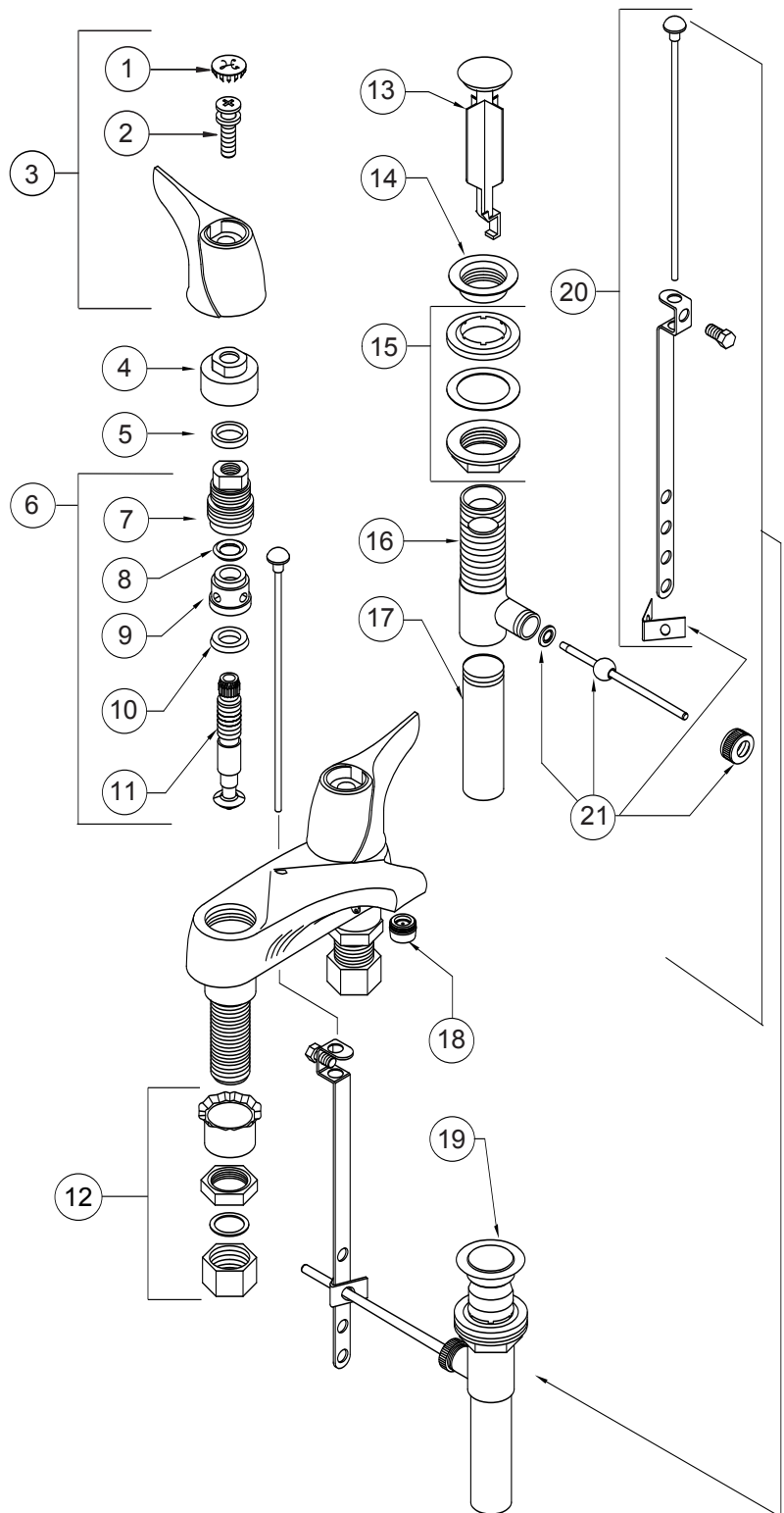
- Aerator (0.5 GPM, 1.9 L/min) **A5**
- Laminar Flow Outlet (2.0 GPM, 7.6 L/min) **LF**
- Spray Face (2.0 GPM, 7.6 L/min) **SF**
- Vandal Resistant Aerator (0.5 GPM, 1.9 L/min) **V5**
- Vandal Resistant Aerator (2.0 GPM, 7.6 L/min) **VA**
- Vandal Resistant Laminar Flow (2.0 GPM, 7.6 L/min) **VF**

**Additional Options**

- SC** Self-Closing Cartridges
- VH** Vandal Resistant Handles
- QT** Quarter Turn Cartridges

#	Description	Part #*
1	Button, Cold	039293-BP5
	Button, Hot	039294-BP5
2	Screw	039328-BP25
3	Lever Handle Assy., Cold	039292
	Lever Handle Assy., Hot	039291
4	Locknut	039028-BP10
5	O-ring	039035-BP10
6	RH Cartridge	039037-BP5
	LH Cartridge	039038-BP5
7	RH Centrepiece	039031-BP5
	LH Centrepiece	039032-BP5
8	O-Ring	039034-BP10
9	Sleeve	039033-BP10
10	Seat Ring	039039-BP10
11	RH Stem	039029-BP10
	LH Stem	039030-BP10
12	Hardware Kit	039280
13	Stopper and Guide	039332
14	Collar	311181
15	Locknut and Gasket	039333
16	Waste Body	311178
17	Tailpiece	311179
18	Aerator	300911
19	Complete Pop-Up Waste	355098
20	Lift Rod Assy.	039335
21	Fulcrum Rod Kit	039334

\*BPx denotes the bulk pack quantity



# P1130 Lavatory Fitting, 4" With Pop-Up



**P1130 Specification:** Commercial grade 4" lavatory supply fitting complete with pop-up waste, colour indexed 3" metal blade handles, Dial-ese® cartridges, and a 2.0 GPM (7.6 L/min) aerator. Heavy duty cast brass body has a resilient polished chrome plated finish and 1/2"-14 NPSM threaded inlets.

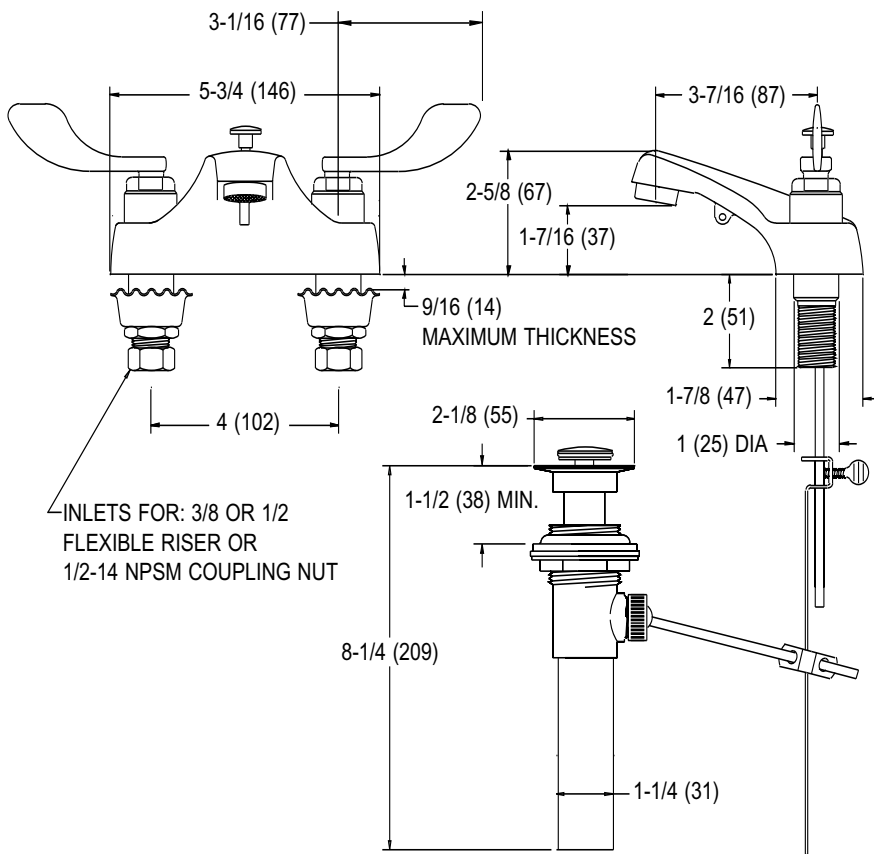
**Maximum Operating Pressure Rating** ..... 125 PSI (860 KPa)

**Maximum Operating Temperature Rating** ..... 65 C (150 F)

**Shipping Weight** ..... 5.6 Lbs (2.5 Kg)



**P1130 Model Shown**



Dimensions shown in inches (mm) are for reference only and are subject to change.

**Ordering Code:**

**P1130 - -**

**Outlet Options**

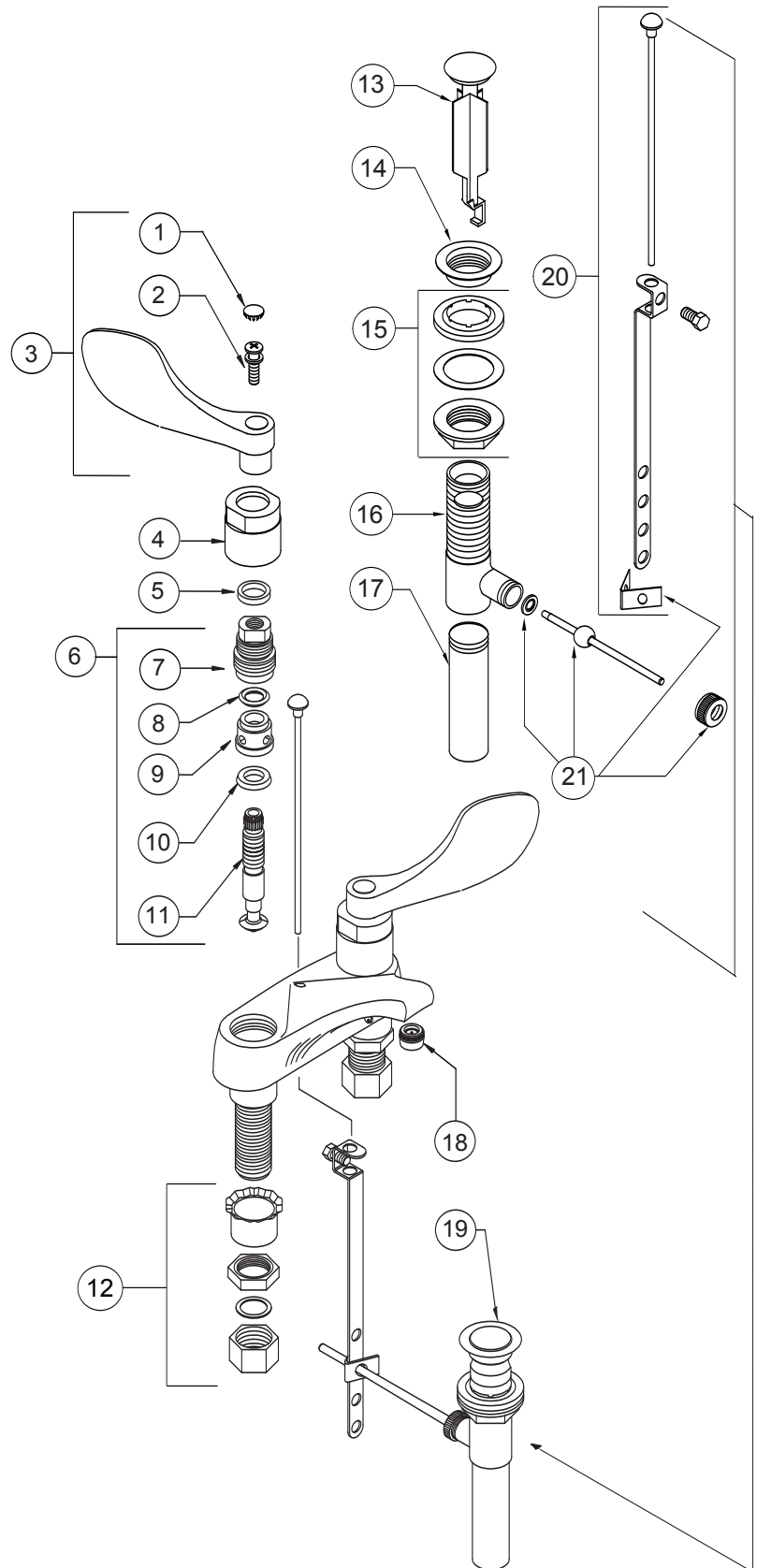
- Aerator (0.5 GPM, 1.9 L/min) **A5**
- Laminar Flow Outlet (2.0 GPM, 7.6 L/min) **LF**
- Spray Face (2.0 GPM, 7.6 L/min) **SF**
- Vandal Resistant Aerator (0.5 GPM, 1.9 L/min) **V5**
- Vandal Resistant Aerator (2.0 GPM, 7.6 L/min) **VA**
- Vandal Resistant Laminar Flow (2.0 GPM, 7.6 L/min) **VF**

**Additional Options**

- SC** Self-Closing Cartridges
- VH** Vandal Resistant Handles
- QT** Quarter Turn Cartridges

#	Description	Part #*
1	Button, Blue	039298-BP5
	Button, Red	039297-BP5
2	Screw	039328-BP25
3	3" Blade Handle Assy., Blue	039296
	3" Blade Handle Assy., Red	039295
4	Locknut	300631
5	O-ring	039035-BP10
6	RH Cartridge	039037-BP5
	LH Cartridge	039038-BP5
7	RH Centrepiece	039031-BP5
	LH Centrepiece	039032-BP5
8	O-Ring	039034-BP10
9	Sleeve	039033-BP10
10	Seat Ring	039039-BP10
11	RH Stem	039029-BP10
	LH Stem	039030-BP10
12	Hardware Kit	039280
13	Stopper and Guide	039332
14	Collar	311181
15	Locknut and Gasket	039333
16	Waste Body	311178
17	Tailpiece	311179
18	Aerator	300911
19	Complete Pop-Up Waste	355098
20	Lift Rod Assy.	039335
21	Fulcrum Rod Kit	039334

\*BPx denotes the bulk pack quantity



# P1140 Lavatory Fitting, 4" With Pop-Up



**P1140 Specification:** Commercial grade 4" lavatory supply fitting complete with pop-up waste, colour indexed 4-1/2" metal blade handles, Dial-ese® cartridges, and a 2.0 GPM (7.6 L/min) aerator. Heavy duty cast brass body has a resilient polished chrome plated finish and 1/2"-14 NPSM threaded inlets.

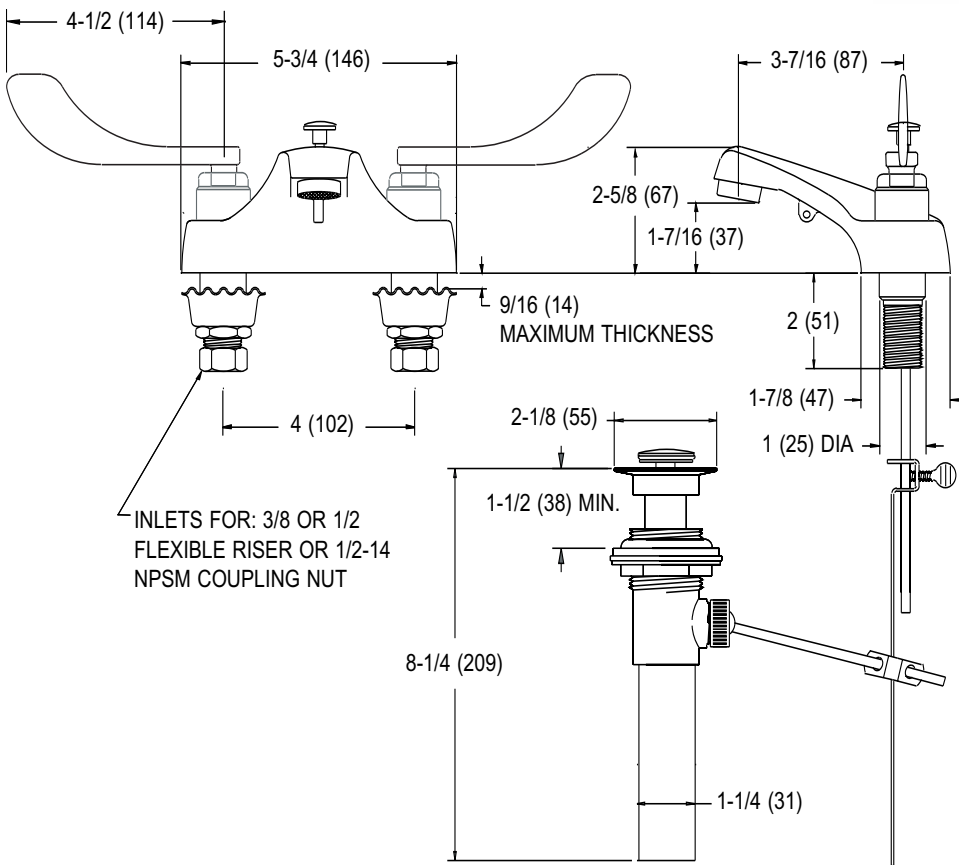
**Maximum Operating Pressure Rating** ..... 125 PSI (860 KPa)

**Maximum Operating Temperature Rating** ..... 65 C (150 F)

**Shipping Weight** ..... 5.6 Lbs (2.5 Kg)



**P1140 Model Shown**



*Dimensions shown in inches (mm) are for reference only and are subject to change.*

**Ordering Code:**

**P1140 - -**

**Outlet Options**

- Aerator (0.5 GPM, 1.9 L/min) **A5**
- Laminar Flow Outlet (2.0 GPM, 7.6 L/min) **LF**
- Spray Face (2.0 GPM, 7.6 L/min) **SF**
- Vandal Resistant Aerator (0.5 GPM, 1.9 L/min) **V5**
- Vandal Resistant Aerator (2.0 GPM, 7.6 L/min) **VA**
- Vandal Resistant Laminar Flow (2.0 GPM, 7.6 L/min) **VF**

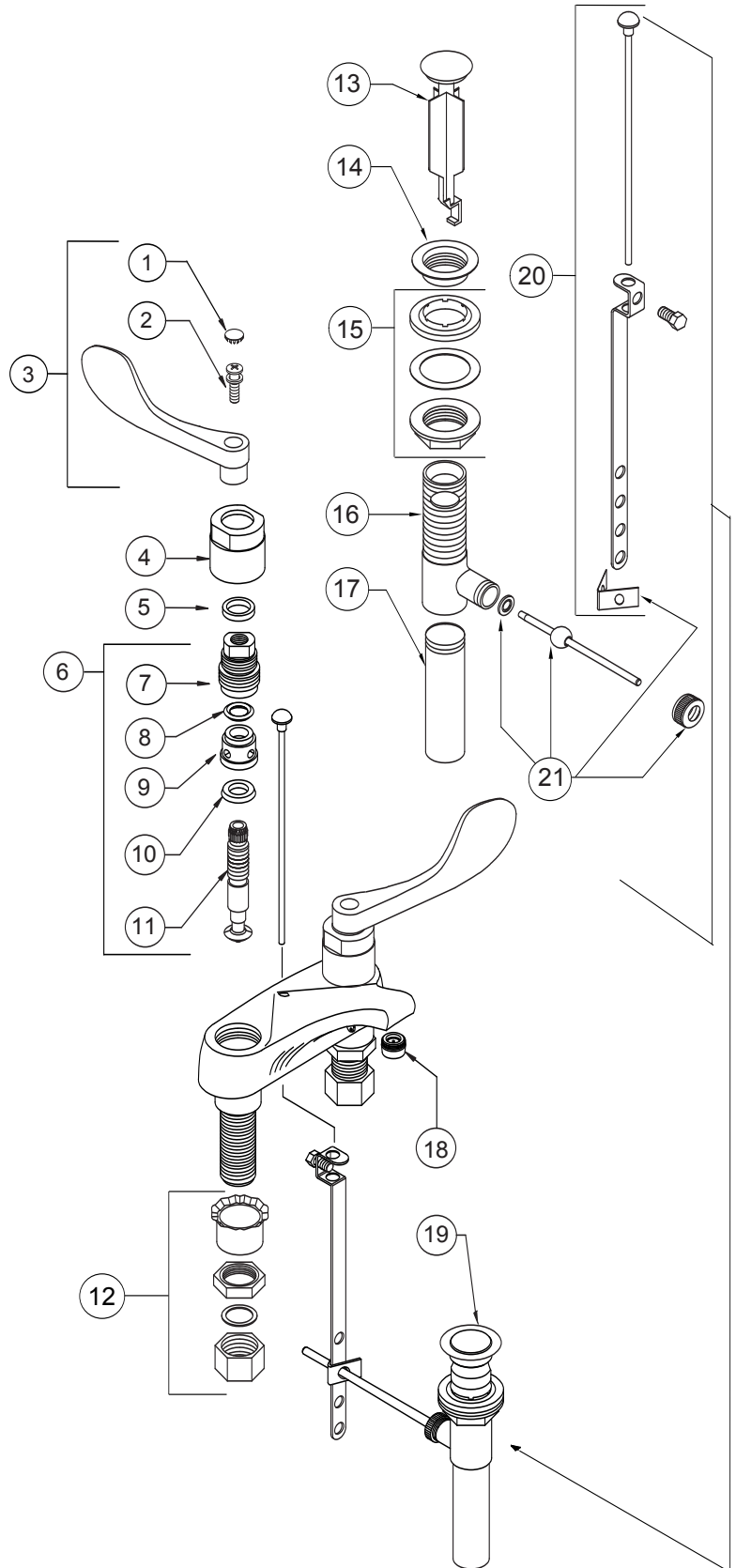
**Additional Options**

- VH** Vandal Resistant Handles
- QT** Quarter Turn Cartridges



#	Description	Part #*
1	Button, Blue	039298-BP5
	Button, Red	039297-BP5
2	Screw	039328-BP25
3	4-1/2" Blade Handle Assy., Blue	039300
	4-1/2" Blade Handle Assy., Red	039299
4	Locknut	300631
5	O-ring	039035-BP10
6	RH Cartridge	039037-BP5
	LH Cartridge	039038-BP5
7	RH Centrepiece	039031-BP5
	LH Centrepiece	039032-BP5
8	O-Ring	039034-BP10
9	Sleeve	039033-BP10
10	Seat Ring	039039-BP10
11	RH Stem	039029-BP10
	LH Stem	039030-BP10
12	Hardware Kit	039280
13	Stopper and Guide	039332
14	Collar	311181
15	Locknut and Gasket	039333
16	Waste Body	311178
17	Tailpiece	311179
18	Aerator	300911
19	Complete Pop-Up Waste	355098
20	Lift Rod Assy.	039335
21	Fulcrum Rod Kit	039334

\*BPx denotes the bulk pack quantity



# P1150 Lavatory Fitting, 4" With pop-up



**P1150 Specification:** Commercial grade 4" lavatory supply fitting complete with pop-up waste, 5-rib "H" and "C" indexed metal handles, Dial-ese® cartridges, and a 2.0 GPM (7.6 L/min) aerator. Heavy duty cast brass body has a resilient polished chrome plated finish and 1/2"-14 NPSM threaded inlets.

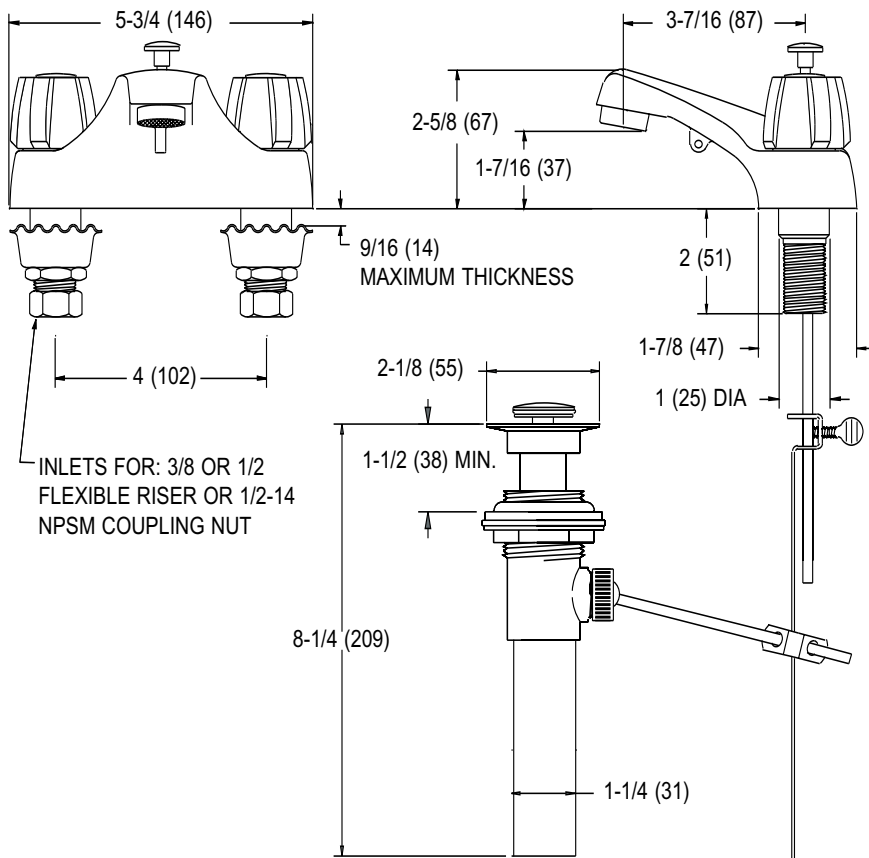
**Maximum Operating Pressure Rating** ..... 125 PSI (860 KPa)

**Maximum Operating Temperature Rating** ..... 65 C (150 F)

**Shipping Weight** ..... 5.6 Lbs (2.5 Kg)



**P1150 Model Shown**



Dimensions shown in inches (mm) are for reference only and are subject to change.



**Ordering Code:**

**P1150 - -**

**Outlet Options**

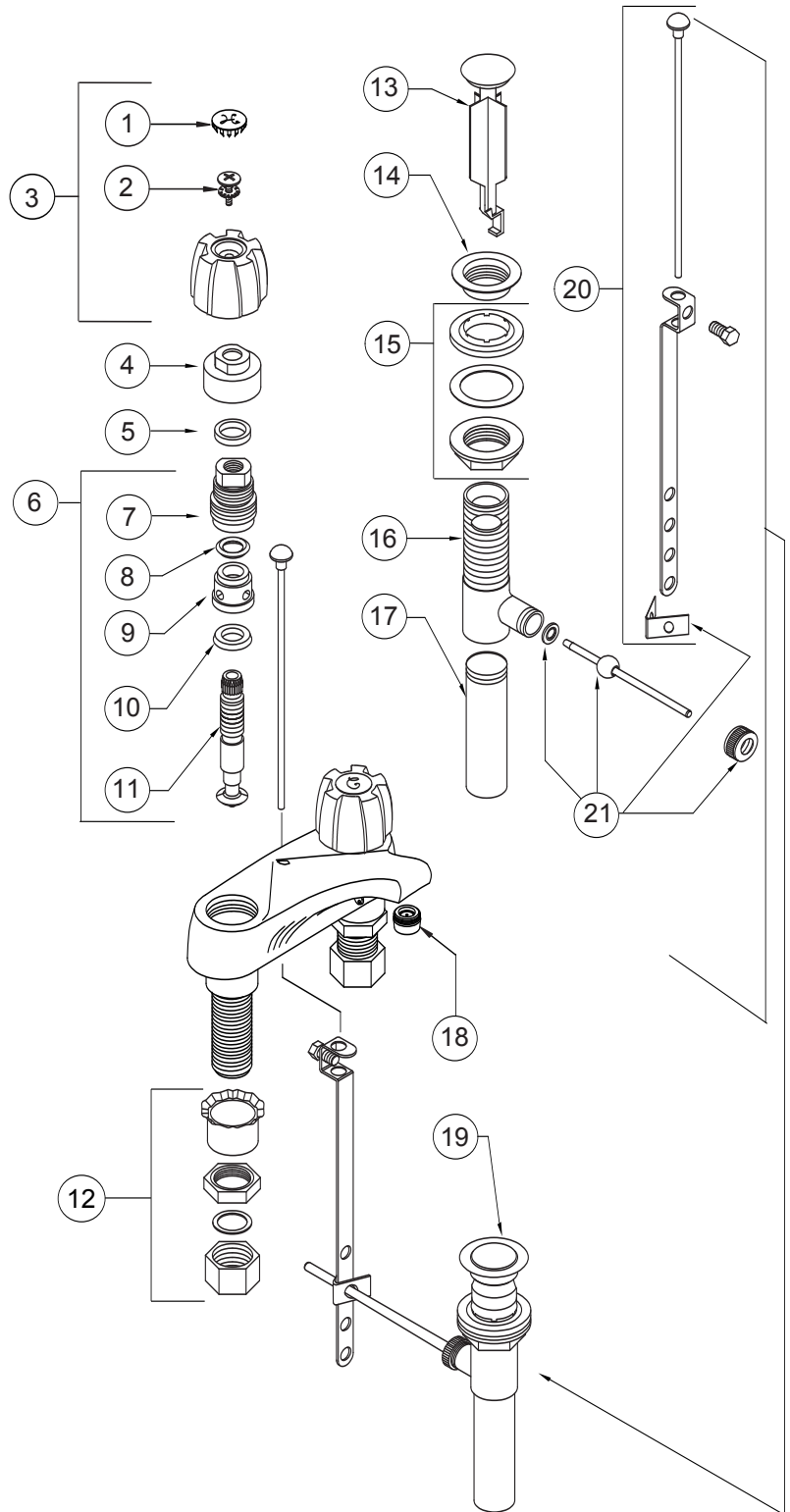
- Aerator (0.5 GPM, 1.9 L/min) **A5**
- Laminar Flow Outlet (2.0 GPM, 7.6 L/min) **LF**
- Spray Face (2.0 GPM, 7.6 L/min) **SF**
- Vandal Resistant Aerator (0.5 GPM, 1.9 L/min) **V5**
- Vandal Resistant Aerator (2.0 GPM, 7.6 L/min) **VA**
- Vandal Resistant Laminar Flow (2.0 GPM, 7.6 L/min) **VF**

**Additional Options**

- SC** Self-Closing Cartridges
- VH** Vandal Resistant Handles
- QT** Quarter Turn Cartridges

#	Description	Part #*
1	Button, Cold	039306-BP5
	Button, Hot	039305-BP5
2	Screw	039328-BP25
3	5-Rib Handle Assy., Cold	039303
	5-Rib Handle Assy., Hot	039304
4	Locknut	039028-BP10
5	O-ring	039035-BP10
6	Cartridge	039038-BP5
7	Centrepiece	039032-BP5
8	O-Ring	039034-BP10
9	Sleeve	039033-BP10
10	Seat Ring	039039-BP10
11	Stem	039030-BP10
12	Hardware Kit	039280
13	Stopper and Guide	039332
14	Collar	311181
15	Locknut and Gasket	039333
16	Waste Body	311178
17	Tailpiece	311179
18	Aerator	300911
19	Complete Pop-Up Waste	355098
20	Lift Rod Assy.	039335
21	Fulcrum Rod Kit	039334

\*BPx denotes the bulk pack quantity



# P1160 Lavatory Fitting, 4" With Pop-Up



**P1160 Specification:** Commercial grade 4" lavatory supply fitting complete with pop-up waste, colour indexed 6" metal blade handles, Dial-ese® cartridges, and a 2.0 GPM (7.6 L/min) aerator. Heavy duty cast brass body has a resilient polished chrome plated finish and 1/2"-14 NPSM threaded inlets.

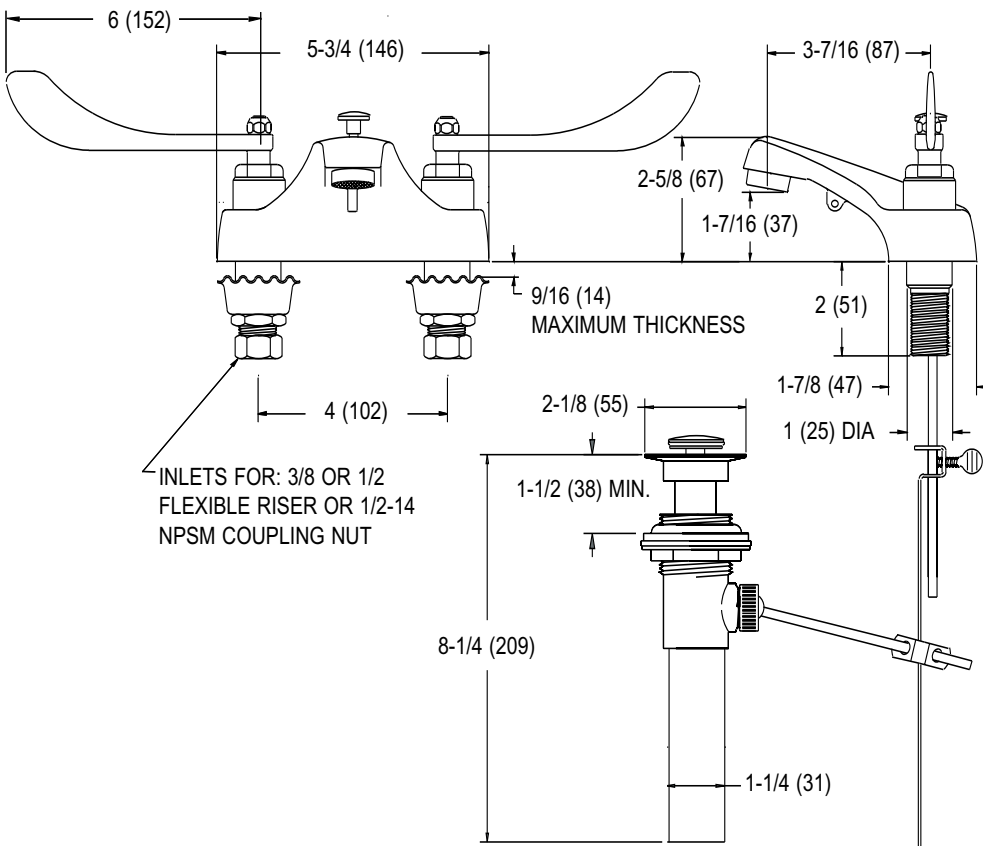


**Maximum Operating Pressure Rating** ..... 125 PSI (860 KPa)

**Maximum Operating Temperature Rating** ..... 65 C (150 F)

**Shipping Weight** ..... 5.6 Lbs (2.5 Kg)

**P1160 Model Shown**



Dimensions shown in inches (mm) are for reference only and are subject to change.

**Ordering Code:**

**P1160 - -**

**Outlet Options**

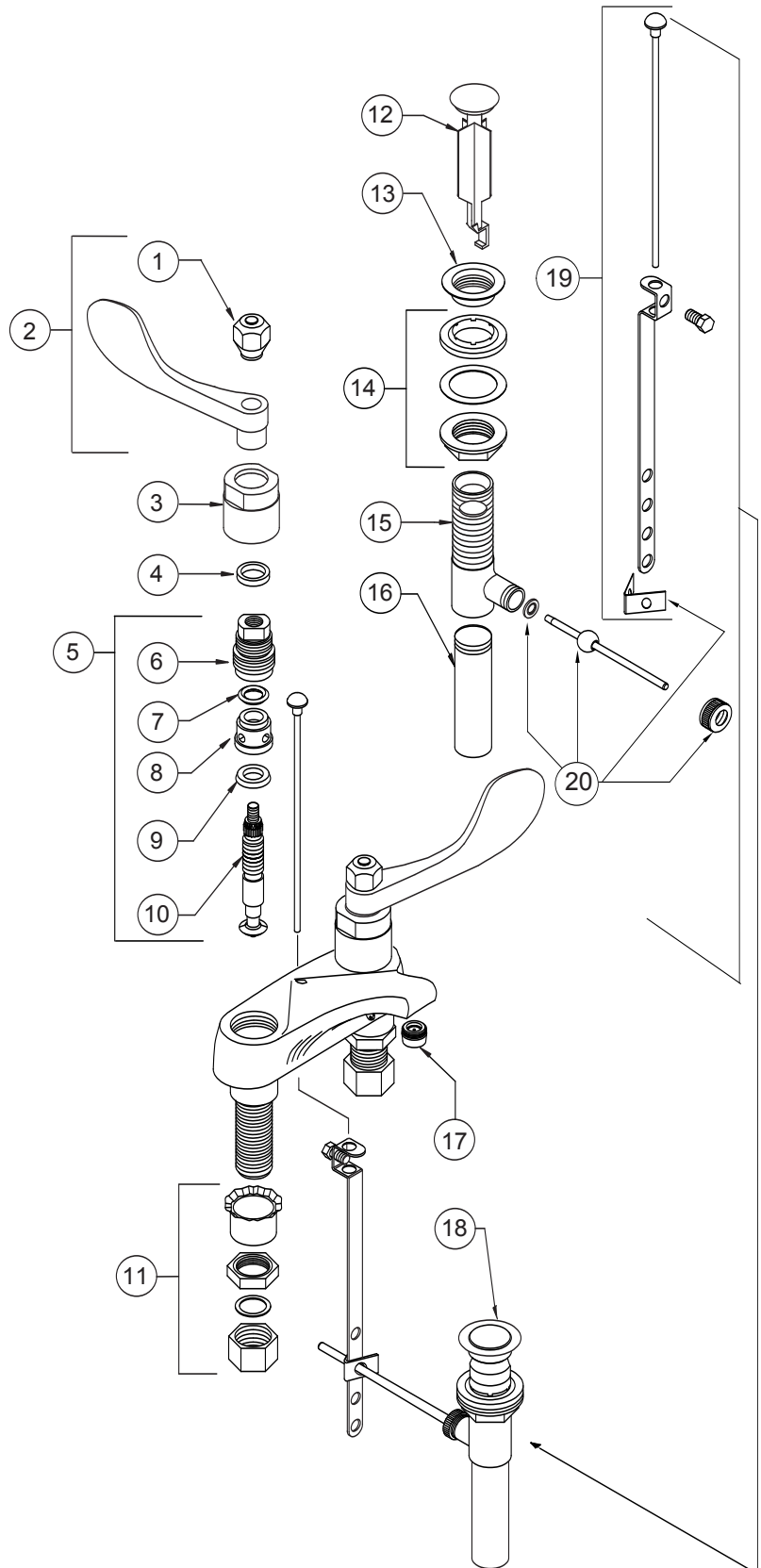
- Aerator (0.5 GPM, 1.9 L/min) **A5**
- Laminar Flow Outlet (2.0 GPM, 7.6 L/min) **LF**
- Spray Face (2.0 GPM, 7.6 L/min) **SF**
- Vandal Resistant Aerator (0.5 GPM, 1.9 L/min) **V5**
- Vandal Resistant Aerator (2.0 GPM, 7.6 L/min) **VA**
- Vandal Resistant Laminar Flow (2.0 GPM, 7.6 L/min) **VF**

**Additional Options**

- QT** Quarter Turn Cartridges

#	Description	Part #*
1	Cap Nut, Blue	039302-BP5
	Cap Nut, Red	039301-BP5
2	6" Blade Handle Assy., Blue	039319
	6" Blade Handle Assy., Red	039320
3	Locknut	300631
4	O-ring	039035-BP10
5	RH Cartridge	039065-BP5
	LH Cartridge	039064-BP5
6	RH Centrepiece	039031-BP5
	LH Centrepiece	039032-BP5
7	O-Ring	039034-BP10
8	Sleeve	039033-BP10
9	Seat Ring	039039-BP10
10	RH Stem	039056-BP10
	LH Stem	039055-BP10
11	Hardware Kit	039280
12	Stopper and Guide	039332
13	Collar	311181
14	Locknut and Gasket	039333
15	Waste Body	311178
16	Tailpiece	311179
17	Aerator	300911
18	Complete Pop-Up Waste	355098
19	Lift Rod Assy.	039335
20	Fulcrum Rod Kit	039334

\*BPx denotes the bulk pack quantity



# P1170 Lavatory Fitting, 4" With Pop-Up



**P1170 Specification:** Commercial grade 4" lavatory supply fitting complete with pop-up waste, colour indexed metal cross handles, Dial-ese® cartridges, and a 2.0 GPM (7.6 L/min) aerator. Heavy duty cast brass body has a resilient polished chrome plated finish and 1/2"-14 NPSM threaded inlets.

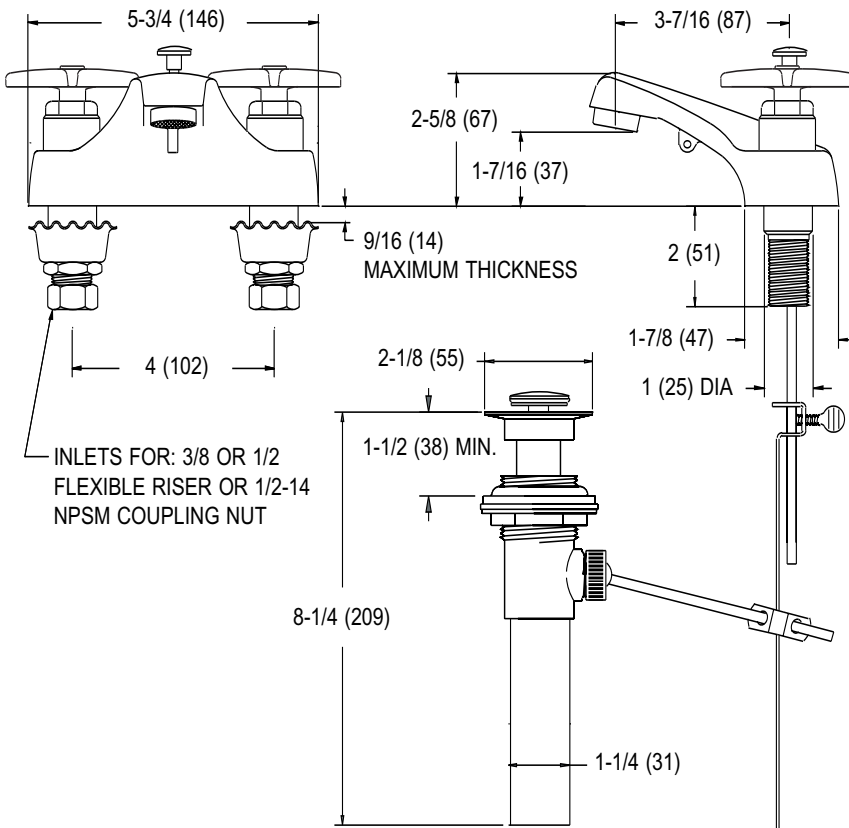
**Maximum Operating Pressure Rating** ..... 125 PSI (860 KPa)

**Maximum Operating Temperature Rating** ..... 65 C (150 F)

**Shipping Weight** ..... 5.6 Lbs (2.5 Kg)



**P1170 Model Shown**



Dimensions shown in inches (mm) are for reference only and are subject to change.



**Ordering Code:**

**P1170 - -**

**Outlet Options**

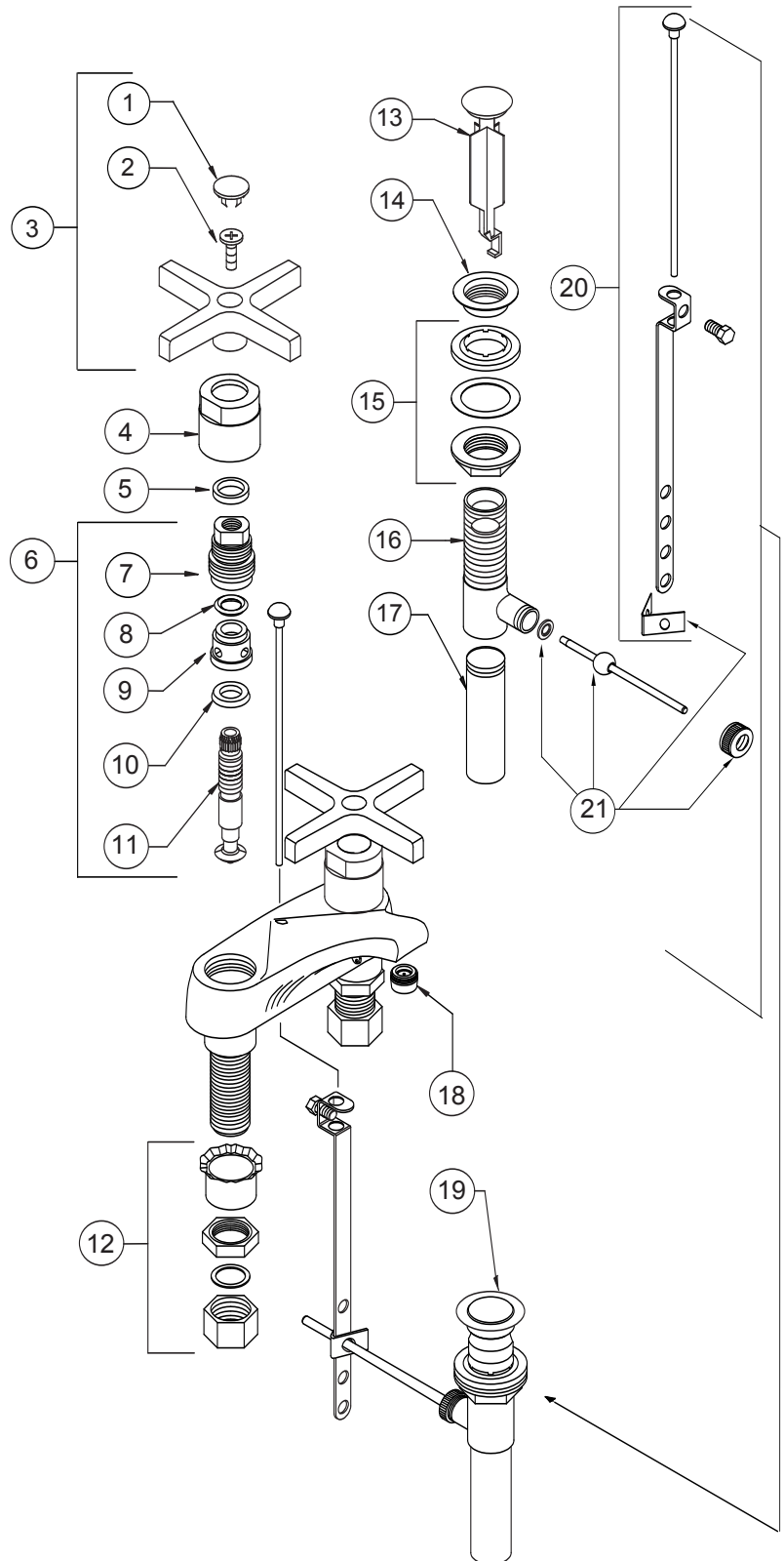
- Aerator (0.5 GPM, 1.9 L/min) **A5**
- Laminar Flow Outlet (2.0 GPM, 7.6 L/min) **LF**
- Spray Face (2.0 GPM, 7.6 L/min) **SF**
- Vandal Resistant Aerator (0.5 GPM, 1.9 L/min) **V5**
- Vandal Resistant Aerator (2.0 GPM, 7.6 L/min) **VA**
- Vandal Resistant Laminar Flow (2.0 GPM, 7.6 L/min) **VF**

**Additional Options**

- SC** Self-Closing Cartridges
- VH** Vandal Resistant Handles
- QT** Quarter Turn Cartridges

#	Description	Part #*
1	Button, Blue	039298-BP5
	Button, Red	039297-BP5
2	Screw	039328-BP25
3	Cross Handle Assy., Blue	039313
	Cross Handle Assy., Red	039314
4	Locknut	300631
5	O-ring	039035-BP10
6	Cartridge	039038-BP5
7	Centrepiece	039032-BP5
8	O-Ring	039034-BP10
9	Sleeve	039033-BP10
10	Seat Ring	039039-BP10
11	Stem	039030-BP10
12	Hardware Kit	039280
13	Stopper and Guide	039332
14	Collar	311181
15	Locknut and Gasket	039333
16	Waste Body	311178
17	Tailpiece	311179
18	Aerator	300911
19	Complete Pop-Up Waste	355098
20	Lift Rod Assy.	039335
21	Fulcrum Rod Kit	039334

\*BPx denotes the bulk pack quantity



# P1205 Lavatory Fitting, 4" Centreset



**P1205 Specification:** Commercial grade 4" lavatory supply fitting featuring rigid gooseneck spout with 4-1/2" (114 mm) spread, colour indexed vandal resistant metal handles, metering cartridges, 2.0 GPM (7.6 L/min) aerator, and heavy duty cast brass body. Resilient chome finish on exposed surfaces. Time Adjustable from 1 - 20 sec.

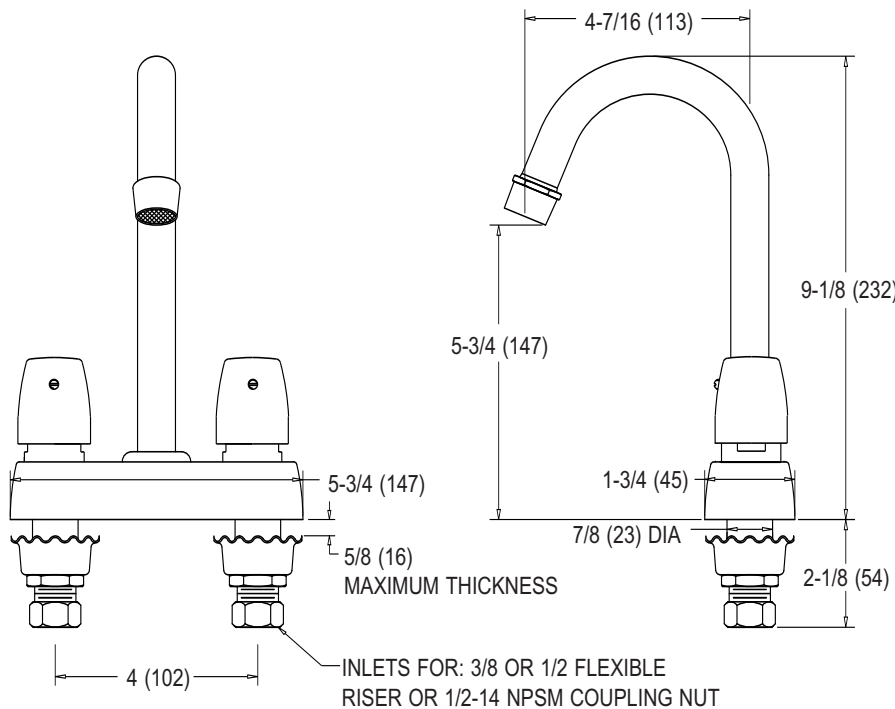
**Maximum Operating Pressure Rating** ..... 125 PSI (860 KPa)

**Maximum Operating Temperature Rating** ..... 65 C (150 F)

**Shipping Weight** ..... 3.8 Lbs (1.7 Kg)



**P1205 Model Shown**



*Dimensions shown in inches (mm) are for reference only and are subject to change.*

**Ordering Code:**

**P1205 - - -**

**Outlet Options**

- Aerator (0.5 GPM, 1.9 L/min) **A5**
- Laminar Flow Outlet (2.0 GPM, 7.6 L/min) **LF**
- Spray Face (2.0 GPM, 7.6 L/min) **SF**
- Vandal Resistant Aerator (0.5 GPM, 1.9 L/min) **V5**
- Vandal Resistant Aerator (2.0 GPM, 7.6 L/min) **VA**
- Vandal Resistant Laminar Flow (2.0 GPM, 7.6 L/min) **VF**

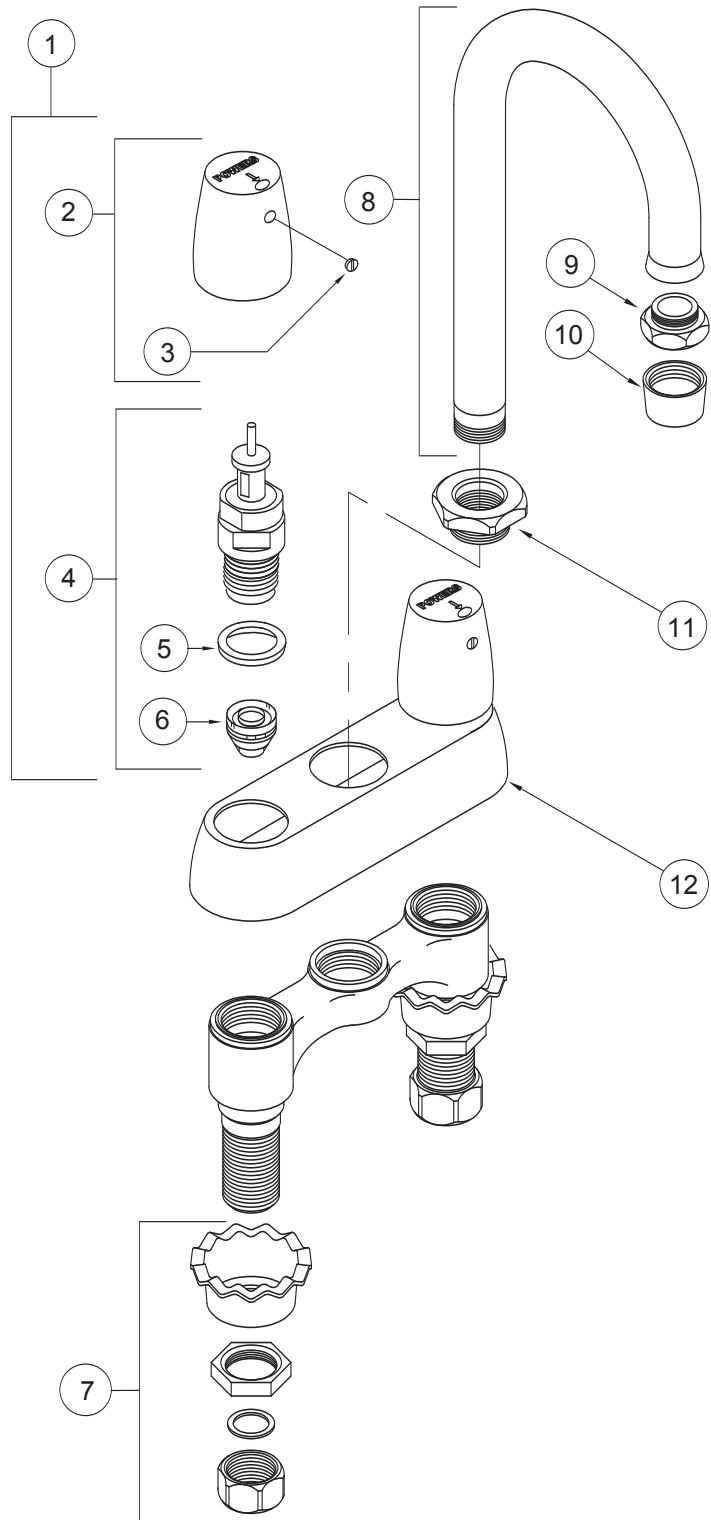
**Additional Options**

- G1** Gooseneck Spout 3-1/2" (89 mm)
- G2** Gooseneck Spout 5-1/4" (133 mm)
- G3** Gooseneck Spout 8" (203 mm)
- GD** 1-1/4" Grid Drain (P3902)
- OG** 1-1/4" Offset Grid Drain (P3906)



#	Description	Part #*
1	Cartridge / Handle Kit	675-031
2	Handle Kit	675-026
3	Handle Button Kit	675-032
4	Cartridge Kit	675-036
5	O-Ring	084-025
6	Diaphragm / Filter	675-028
7	Hardware Kit	039280
8	Spout Assy.	361010
9	Aerator Adaptor	303706
10	Aerator	300994
11	Spout Adaptor	300953
12	Cover	300392PP
13	Filter Wrench (Not Shown)	675035-BP5

\*BPx denotes the bulk pack quantity



# P1210 Lavatory Fitting, 4" Centreset



**P1210 Specification:** Commercial grade 4" lavatory supply fitting featuring rigid gooseneck spout with 4-1/2" (114 mm) spread, "H" and "C" indexed acrylic handles, Dial-ese® cartridges, 2.0 GPM (7.6 L/min) aerator, and heavy duty cast brass body. Resilient chrome plated finish on all exposed surfaces.

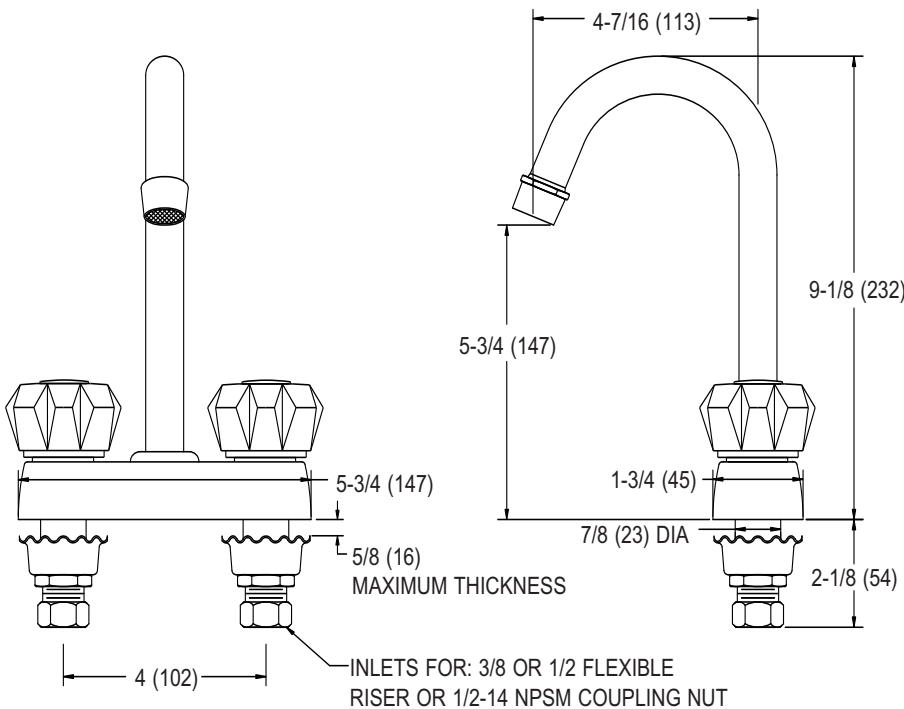
**Maximum Operating Pressure Rating** ..... 125 PSI (860 KPa)

**Maximum Operating Temperature Rating** ..... 65 C (150 F)

**Shipping Weight** ..... 3.8 Lbs (1.7 Kg)



**P1210 Model Shown**



Dimensions shown in inches (mm) are for reference only and are subject to change.



**Ordering Code:**

**P1210 - - - -**

**Outlet Options**

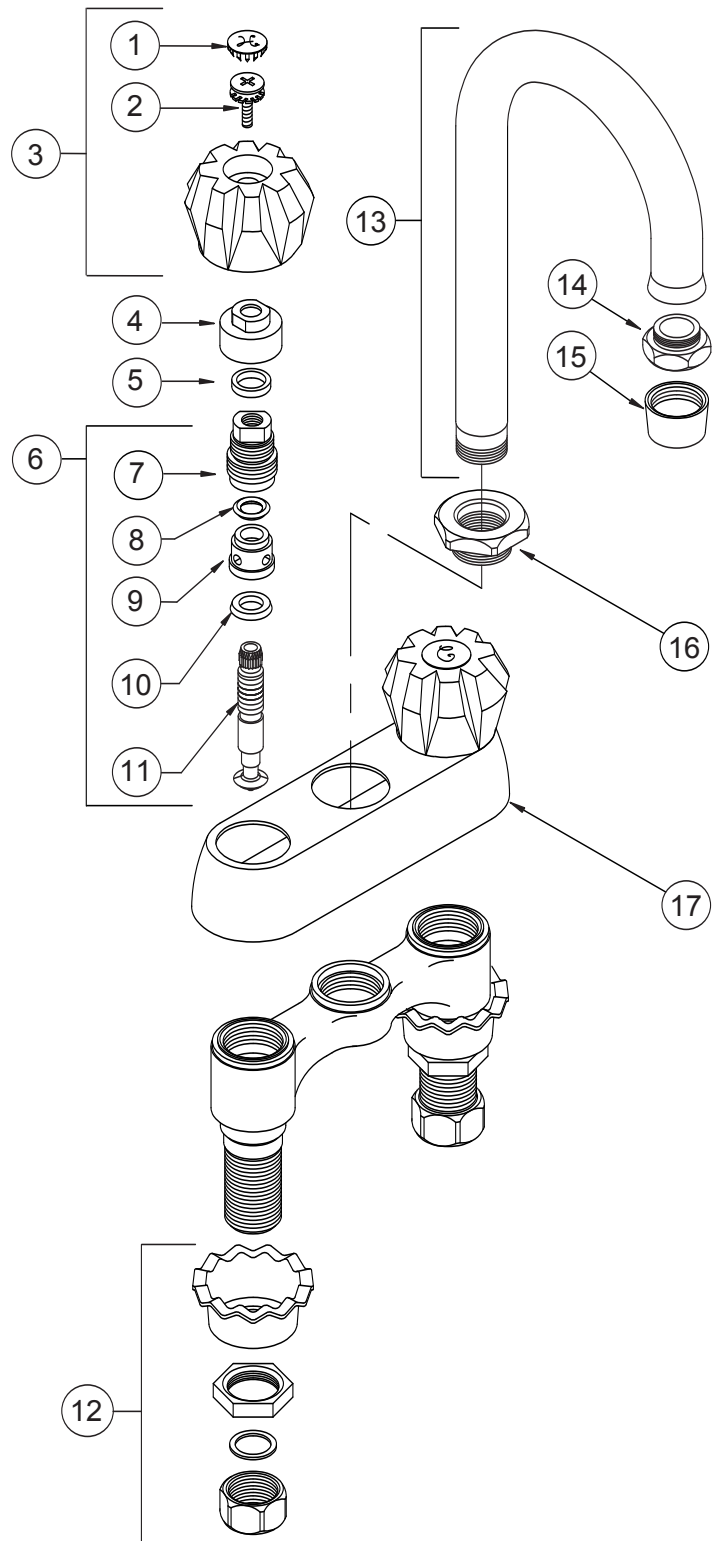
- Aerator (0.5 GPM, 1.9 L/min) **A5**
- Laminar Flow Outlet (2.0 GPM, 7.6 L/min) **LF**
- Spray Face (2.0 GPM, 7.6 L/min) **SF**
- Vandal Resistant Aerator (0.5 GPM, 1.9 L/min) **V5**
- Vandal Resistant Aerator (2.0 GPM, 7.6 L/min) **VA**
- Vandal Resistant Laminar Flow (2.0 GPM, 7.6 L/min) **VF**

**Additional Options**

- G1** Gooseneck Spout 3-1/2" (89 mm)
- G2** Gooseneck Spout 5-1/4" (133 mm)
- G3** Gooseneck Spout 8" (203 mm)
- VH** Vandal Resistant Handles
- QT** Quarter Turn Cartridges
- GD** 1-1/4" Grid Drain (P3902)
- OG** 1-1/4" Offset Grid Drain (P3906)

#	Description	Part #*
1	Button, Cold	039290-BP5
	Button, Hot	039289-BP5
2	Screw	039327-BP25
3	Acrylic Handle Assy., Cold	039287
	Acrylic Handle Assy., Hot	039288
4	Locknut	039028-BP10
5	O-Ring	039035-BP10
6	Cartridge	039038-BP5
7	Centrepiece	039032-BP5
8	O-Ring	039034-BP10
9	Sleeve	039033-BP10
10	Seat Ring	039039-BP10
11	Stem	039030-BP10
12	Hardware Kit	039280
13	Spout Assy.	361010
14	Aerator Adaptor	303706
15	Aerator	300994
16	Spout Adaptor	300953
17	Cover	300392PP

\*BPx denotes the bulk pack quantity



# P1220 Lavatory Fitting, 4" Centreset



**P1220 Specification:** Commercial grade 4" lavatory supply fitting featuring rigid gooseneck spout with 4-1/2" (114 mm) spread, "H" and "C" indexed metal hooded lever handles, Dial-ese® cartridges, 2.0 GPM (7.6 L/min) aerator, and heavy duty cast brass body. Resilient chrome plated finish on all exposed surfaces.

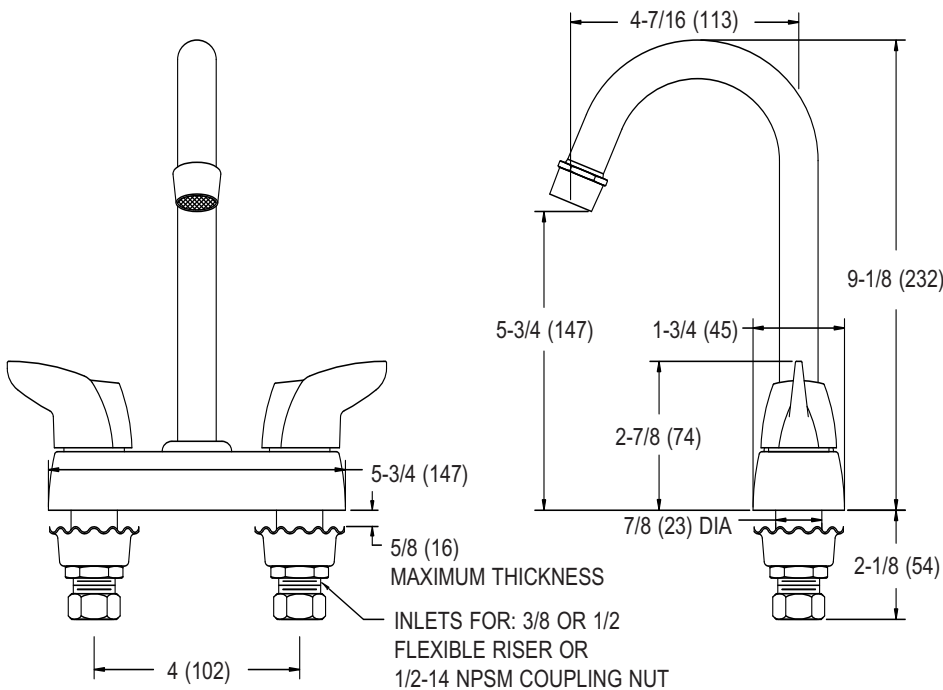
**Maximum Operating Pressure Rating** ..... 125 PSI (860 KPa)

**Maximum Operating Temperature Rating** ..... 65 C (150 F)

**Shipping Weight** ..... 3.8 Lbs (1.7 Kg)



**P1220 Model Shown**



Dimensions shown in inches (mm) are for reference only and are subject to change.

## Ordering Code:

### P1220 -

#### Outlet Options

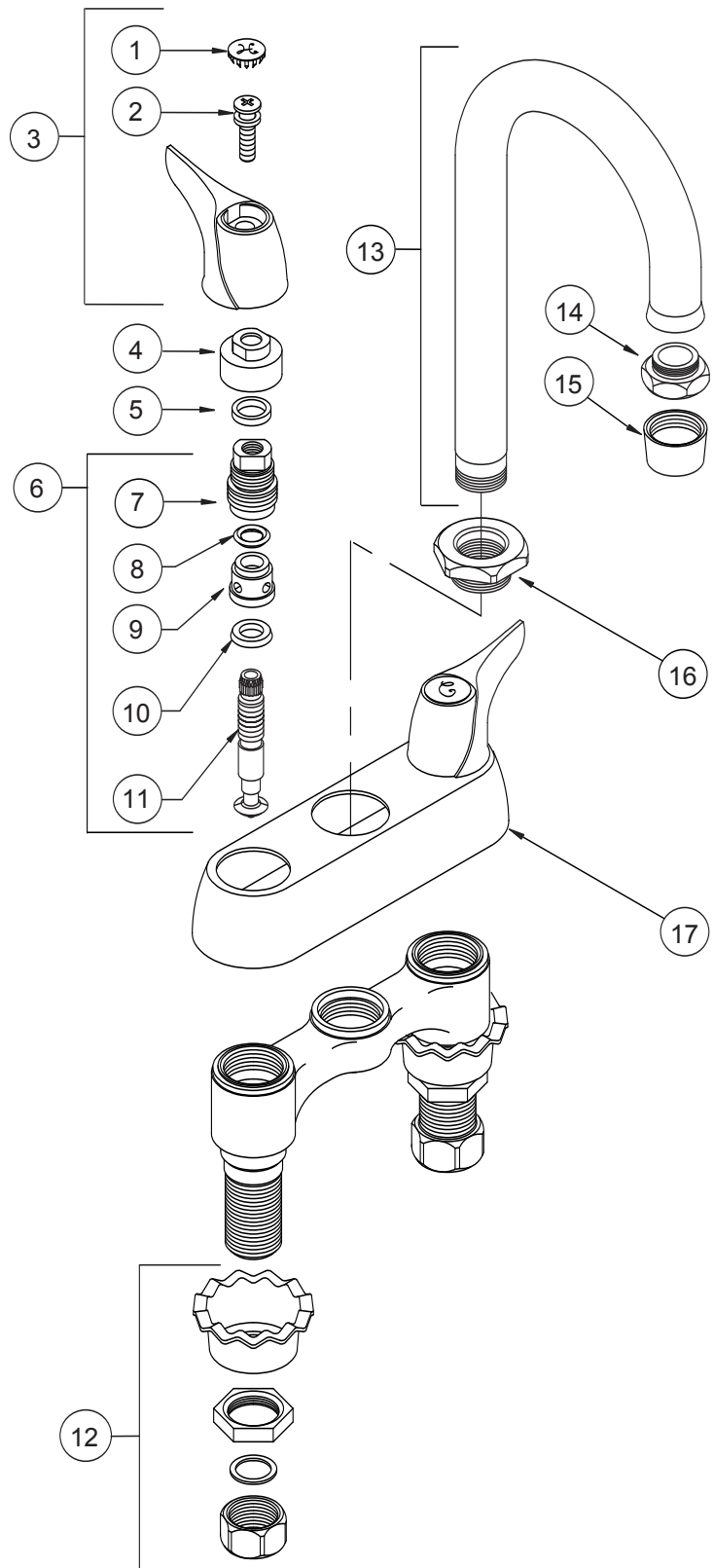
- Aerator (0.5 GPM, 1.9 L/min) **A5**
- Laminar Flow Outlet (2.0 GPM, 7.6 L/min) **LF**
- Spray Face (2.0 GPM, 7.6 L/min) **SF**
- Vandal Resistant Aerator (0.5 GPM, 1.9 L/min) **V5**
- Vandal Resistant Aerator (2.0 GPM, 7.6 L/min) **VA**
- Vandal Resistant Laminar Flow (2.0 GPM, 7.6 L/min) **VF**

#### Additional Options

- G1** Gooseneck Spout 3-1/2" (89 mm)
- G2** Gooseneck Spout 5-1/4" (133 mm)
- G3** Gooseneck Spout 8" (203 mm)
- VH** Vandal Resistant Handles
- QT** Quarter Turn Cartridges
- GD** 1-1/4" Grid Drain (P3902)
- OG** 1-1/4" Offset Grid Drain (P3906)

#	Description	Part #*
1	Button, Cold	039293-BP5
	Button, Hot	039294-BP5
2	Screw	039328-BP25
3	Lever Handle Assy., Cold	039292
	Lever Handle Assy., Hot	039291
4	Locknut	039028-BP10
5	O-Ring	039035-BP10
6	RH Cartridge	039037-BP5
	LH Cartridge	039038-BP5
7	RH Centrepiece	039031-BP5
	LH Centrepiece	039032-BP5
8	O-Ring	039034-BP10
9	Sleeve	039033-BP10
10	Seat Ring	039039-BP10
11	RH Stem	039029-BP10
	LH Stem	039030-BP10
12	Hardware Kit	039280
13	Spout Assy.	361010
14	Aerator Adaptor	303706
15	Aerator	300994
16	Spout Adaptor	300953
17	Cover	300392PP

\*BPx denotes the bulk pack quantity



# P1230 Lavatory Fitting, 4" Centreset

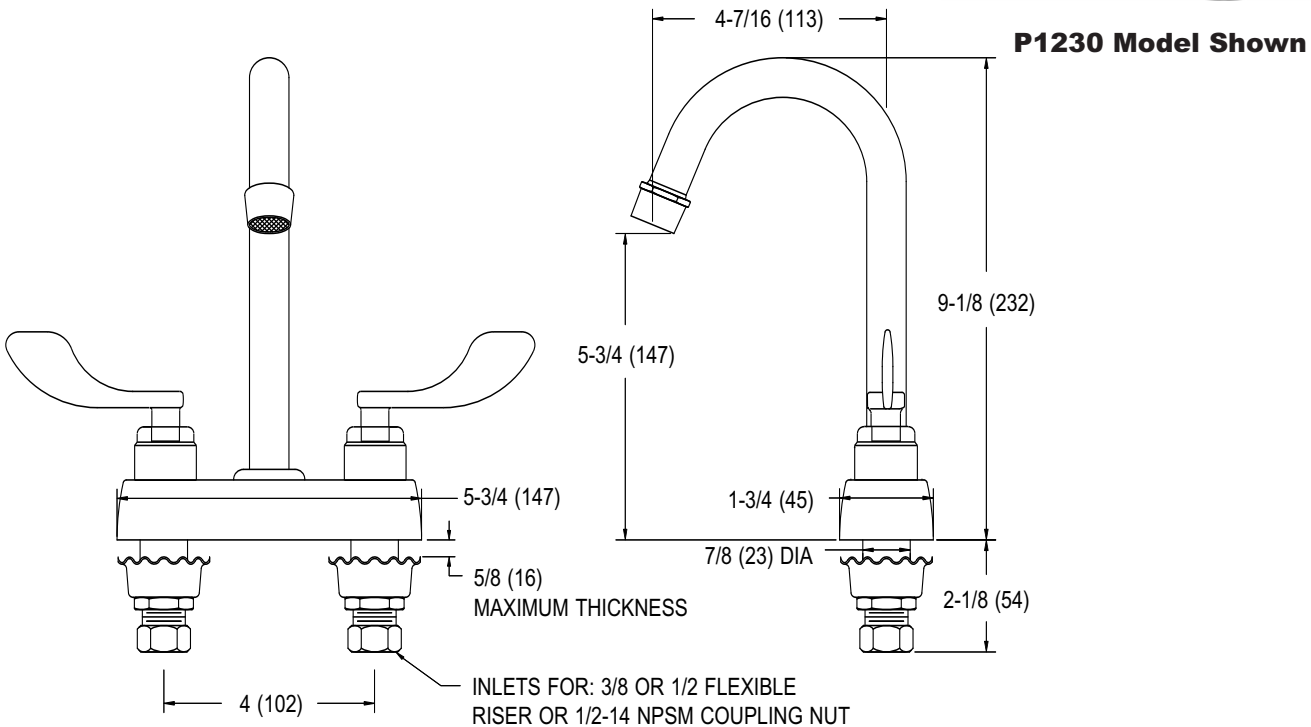


**P1230 Specification:** Commercial grade 4" lavatory supply fitting featuring rigid gooseneck spout with 4-1/2" (114 mm) spread, colour indexed 3" metal blade handles, Dial-ese® cartridges, 2.0 GPM (7.6 L/min) aerator, and heavy duty cast brass body. Resilient chrome plated finish on all exposed surfaces.

**Maximum Operating Pressure Rating** ..... 125 PSI (860 KPa)

**Maximum Operating Temperature Rating** ..... 65 C (150 F)

**Shipping Weight** ..... 3.8 Lbs (1.7 Kg)



Dimensions shown in inches (mm) are for reference only and are subject to change.

## Ordering Code:

### P1230 -

#### Outlet Options

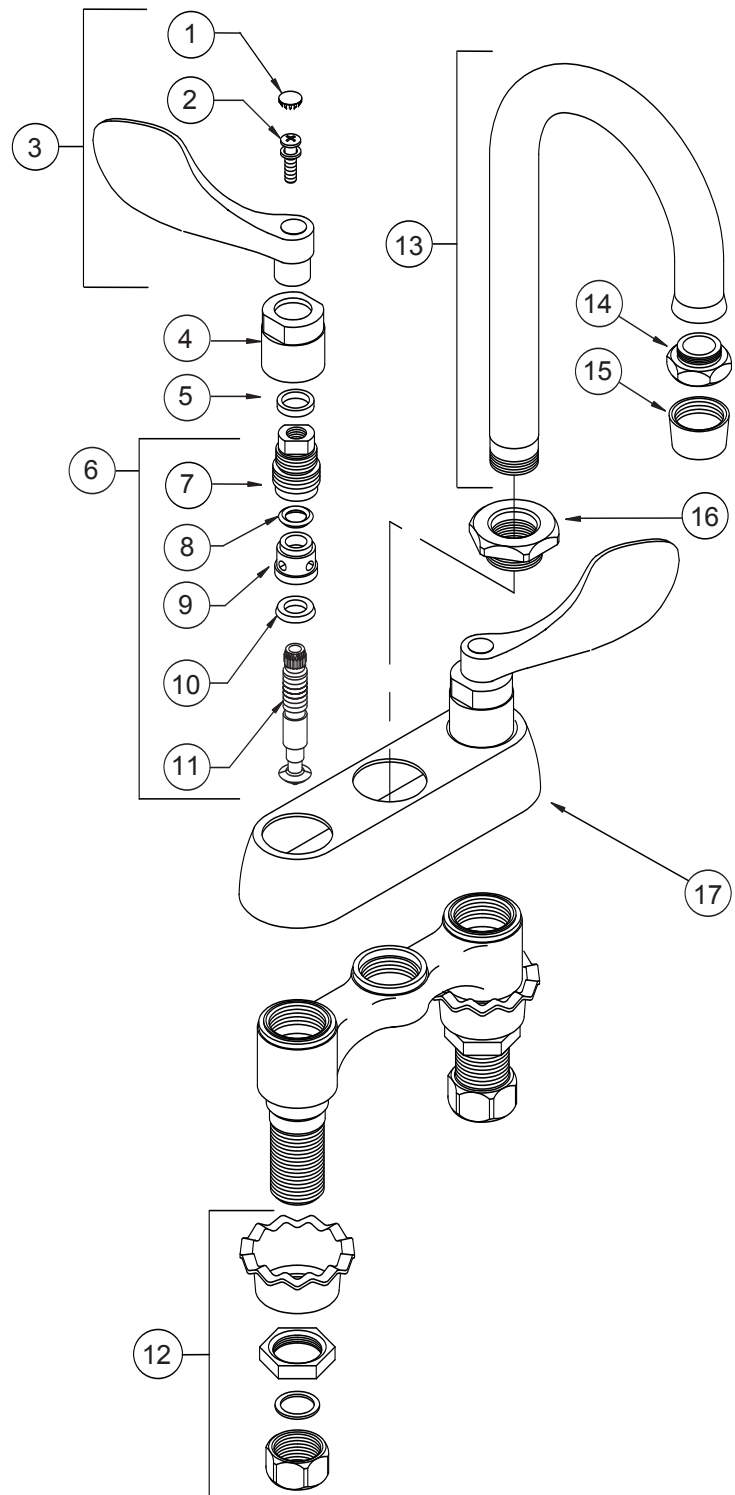
- Aerator (0.5 GPM, 1.9 L/min) **A5**
- Laminar Flow Outlet (2.0 GPM, 7.6 L/min) **LF**
- Spray Face (2.0 GPM, 7.6 L/min) **SF**
- Vandal Resistant Aerator (0.5 GPM, 1.9 L/min) **V5**
- Vandal Resistant Aerator (2.0 GPM, 7.6 L/min) **VA**
- Vandal Resistant Laminar Flow (2.0 GPM, 7.6 L/min) **VF**

#### Additional Options

- G1** Gooseneck Spout 3-1/2" (89 mm)
- G2** Gooseneck Spout 5-1/4" (133 mm)
- G3** Gooseneck Spout 8" (203 mm)
- VH** Vandal Resistant Handles
- QT** Quarter Turn Cartridges
- GD** 1-1/4" Grid Drain (P3902)
- OG** 1-1/4" Offset Grid Drain (P3906)

#	Description	Part #*
1	Button, Blue	039298-BP5
	Button, Red	039297-BP5
2	Screw	039328-BP25
3	3" Blade Handle Assy., Blue	039296
	3" Blade Handle Assy., Red	039295
4	Locknut	300631
5	O-Ring	039035-BP10
6	RH Cartridge	039037-BP5
	LH Cartridge	039038-BP5
7	RH Centrepiece	039031-BP5
	LH Centrepiece	039032-BP5
8	O-Ring	039034-BP10
9	Sleeve	039033-BP10
10	Seat Ring	039039-BP10
11	RH Stem	039029-BP10
	LH Stem	039030-BP10
12	Hardware Kit	039280
13	Spout Assy.	361010
14	Aerator Adaptor	303706
15	Aerator	300994
16	Spout Adaptor	300953
17	Cover	300392PP

\*BPx denotes the bulk pack quantity



# P1231 Lavatory Fitting, 4" Centreset



**P1231 Specification:** Commercial grade 4" lavatory supply fitting featuring 8" (203 mm) swing spout with 3/4" hose end outlet, colour indexed 3" metal blade handles, Dial-ese® cartridges, and heavy duty cast brass body. Resilient chrome plated finish on all exposed surfaces.

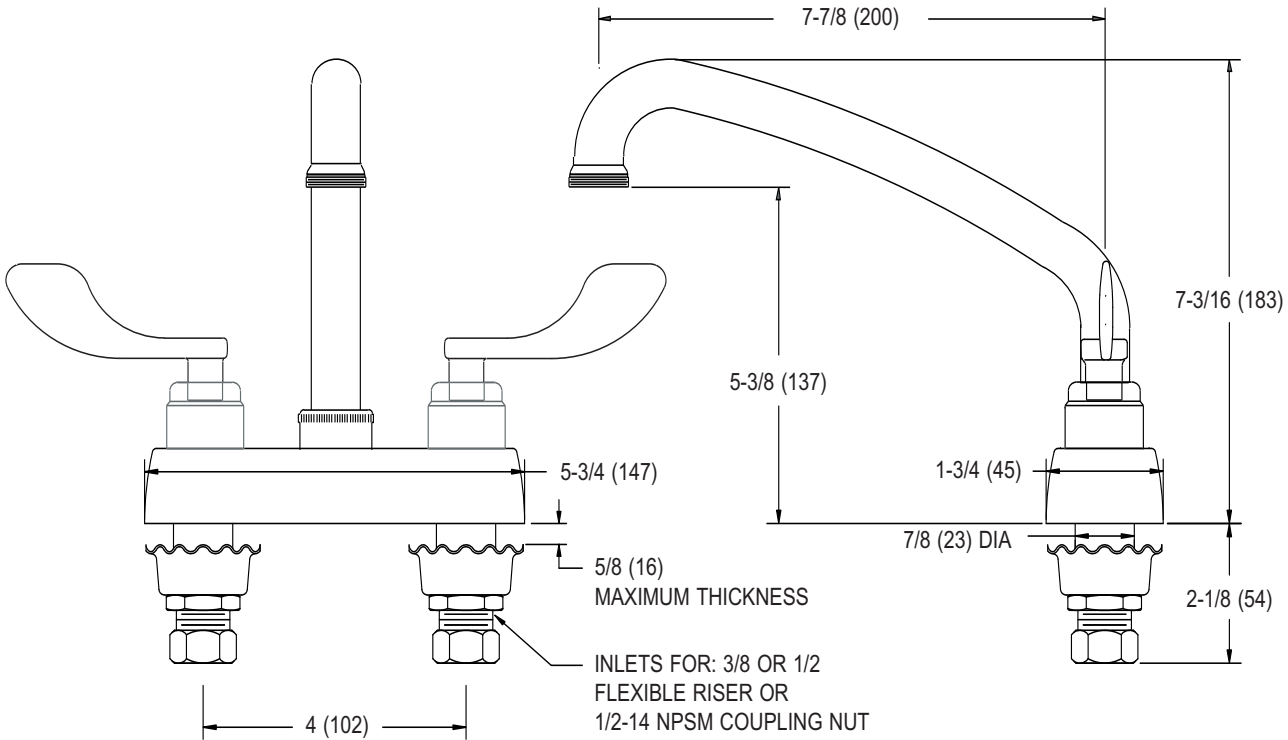
**Maximum Operating Pressure Rating** ..... 125 PSI (860 KPa)

**Maximum Operating Temperature Rating** ..... 65 C (150 F)

**Shipping Weight** ..... 4.3 Lbs (1.9 Kg)



**P1231 Model Shown**



*Dimensions shown in inches (mm) are for reference only and are subject to change.*

**Ordering Code:**

**P1231 - - -**

**Additional Options**

- 1-1/4" Grid Drain (P3902) **GD**
- 1-1/4" Offset Grid Drain (P3906) **OG**
- Vandal Resistant Handles **VH**
- Quarter Turn Cartridges **QT**

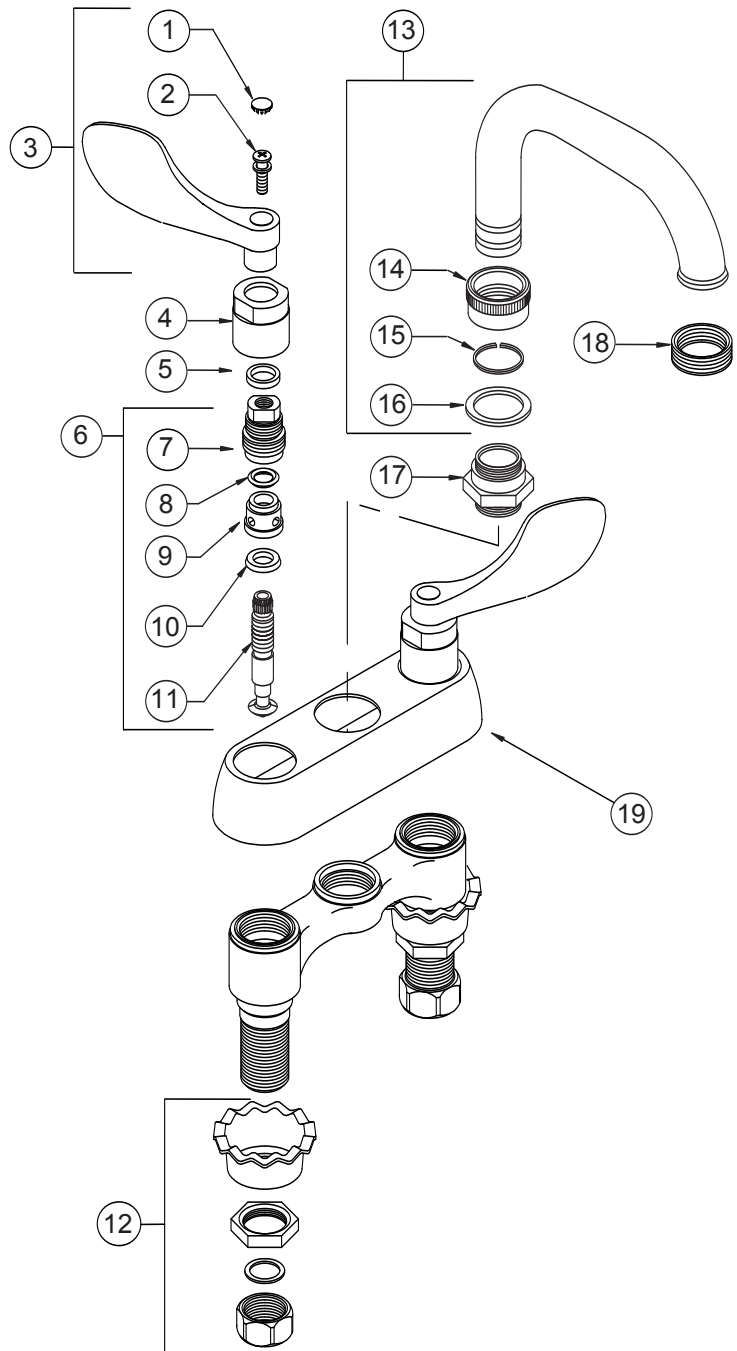
**Spout Options**

- 06** Swing Spout 6" (152 mm)
- 10** Swing Spout 10" (254 mm)
- 12** Swing Spout 12" (305 mm)



#	Description	Part #*
1	Button, Blue	039298-BP5
	Button, Red	039297-BP5
2	Screw	039328-BP25
3	3" Blade Handle Assy., Blue	039296
	3" Blade Handle Assy., Red	039295
4	Locknut	300631
5	O-Ring	039035-BP10
6	RH Cartridge	039037-BP5
	LH Cartridge	039038-BP5
7	RH Centrepiece	039031-BP5
	LH Centrepiece	039032-BP5
8	O-Ring	039034-BP10
9	Sleeve	039033-BP10
10	Seat Ring	039039-BP10
11	RH Stem	039029-BP10
	LH Stem	039030-BP10
12	Hardware Kit	039280
13	Spout Assembly	355144
14	Spout Nut	301702
15	Retaining Ring	301703
16	O-Ring	300435
17	Spout Adaptor	300952
18	Hose End	300954
19	Cover	300392PP

\*BPx denotes the bulk pack quantity



# P1232 Lavatory Fitting, 4" Centreset



**P1232 Specification:** Commercial grade 4" lavatory supply fitting featuring 8" (203 mm) swing spout, colour indexed 3" metal blade handles, Dial-ese® cartridges, 2.0 GPM (7.6 L/min) aerator, and heavy duty cast brass body. Resilient chrome plated finish on all exposed surfaces.

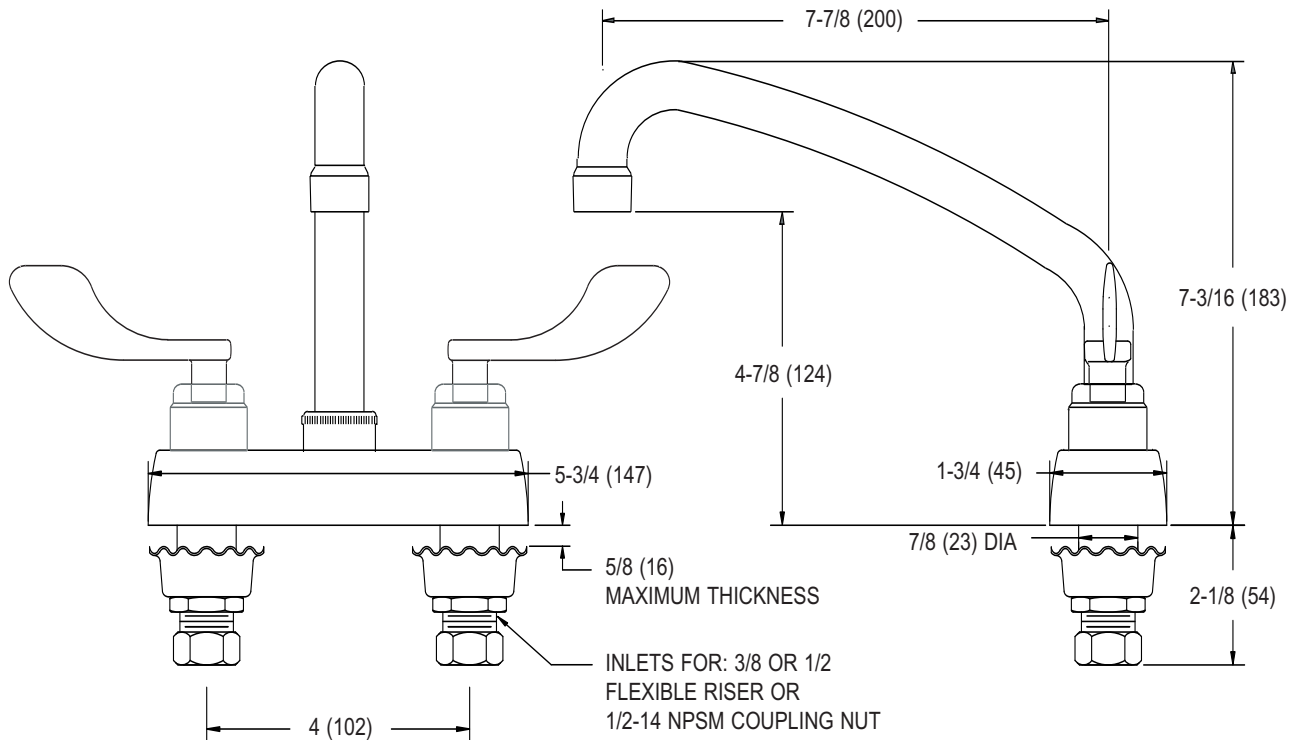
**Maximum Operating Pressure Rating** ..... 125 PSI (860 KPa)

**Maximum Operating Temperature Rating** ..... 65 C (150 F)

**Shipping Weight** ..... 4.3 Lbs (1.9 Kg)



**P1232 Model Shown**



*Dimensions shown in inches (mm) are for reference only and are subject to change.*

**Ordering Code:**

**P1232 - - - -**

**Outlet Options**

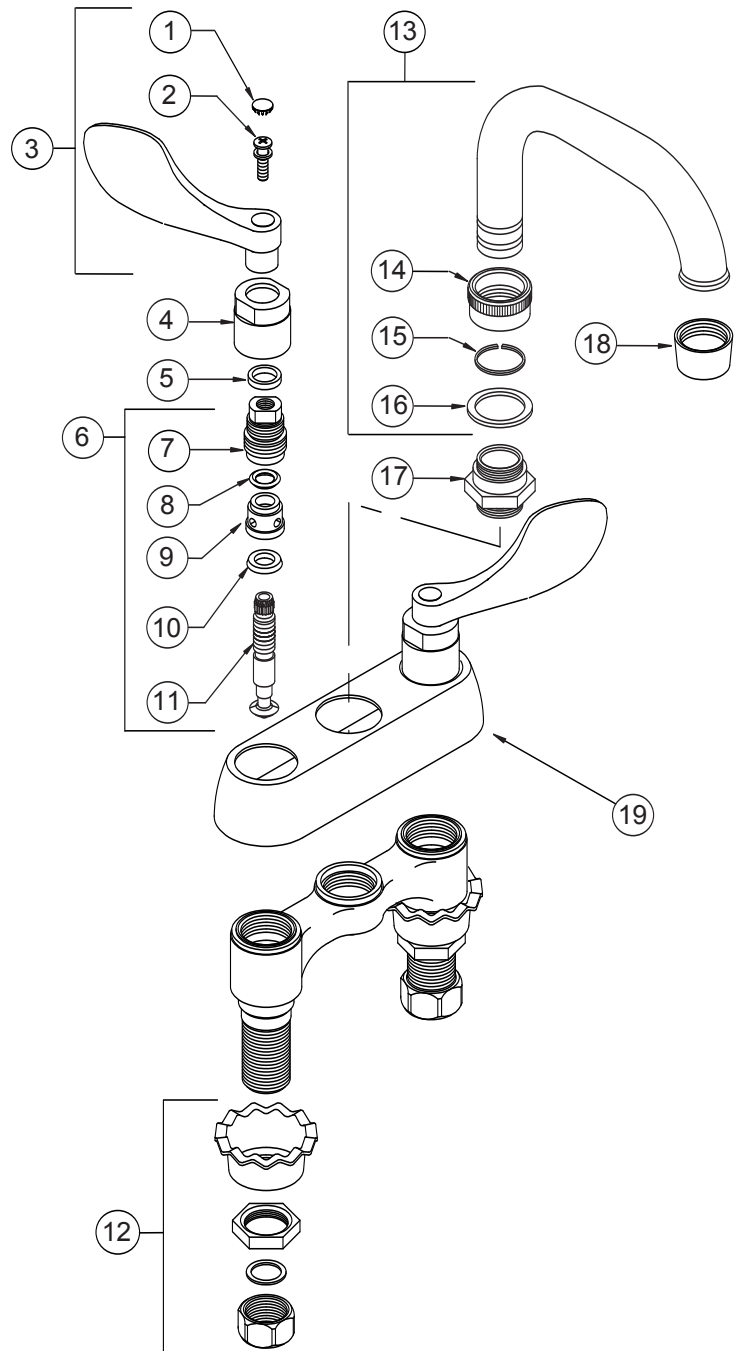
- Aerator (0.5 GPM, 1.9 L/min) **A5**
- Laminar Flow Outlet (2.0 GPM, 7.6 L/min) **LF**
- Spray Face (2.0 GPM, 7.6 L/min) **SF**
- Vandal Resistant Aerator (0.5 GPM, 1.9 L/min) **V5**
- Vandal Resistant Aerator (2.0 GPM, 7.6 L/min) **VA**
- Vandal Resistant Laminar Flow (2.0 GPM, 7.6 L/min) **VF**

**Additional Options**

- 06** Swing Spout 6" (152 mm)
- 10** Swing Spout 10" (254 mm)
- 12** Swing Spout 12" (305 mm)
- VH** Vandal Resistant Handles
- QT** Quarter Turn Cartridges
- GD** 1-1/4" Grid Drain (P3902)
- OG** 1-1/4" Offset Grid Drain (P3906)

#	Description	Part #*
1	Button, Blue	039298-BP5
	Button, Red	039297-BP5
2	Screw	039328-BP25
3	3" Blade Handle Assy., Blue	039296
	3" Blade Handle Assy., Red	039295
4	Locknut	300631
5	O-Ring	039035-BP10
6	RH Cartridge	039037-BP5
	LH Cartridge	039038-BP5
7	RH Centrepiece	039031-BP5
	LH Centrepiece	039032-BP5
8	O-Ring	039034-BP10
9	Sleeve	039033-BP10
10	Seat Ring	039039-BP10
11	RH Stem	039029-BP10
	LH Stem	039030-BP10
12	Hardware Kit	039280
13	Spout Assy.	355144
14	Spout Nut	301702
15	Retaining Ring	301703
16	O-Ring	300435
17	Spout Adaptor	300952
18	Aerator	300994
19	Cover	300392PP

\*BPx denotes the bulk pack quantity



# P1240 Lavatory Fitting, 4" Centreset



**P1240 Specification:** Commercial grade 4" lavatory supply fitting featuring rigid gooseneck spout with 4-1/2" (114 mm) spread, colour indexed 4-1/2" metal blade handles, Dial-ese® cartridges, 2.0 GPM (7.6 L/min) aerator, and heavy duty cast brass body. Resilient chrome plated finish on all exposed surfaces.

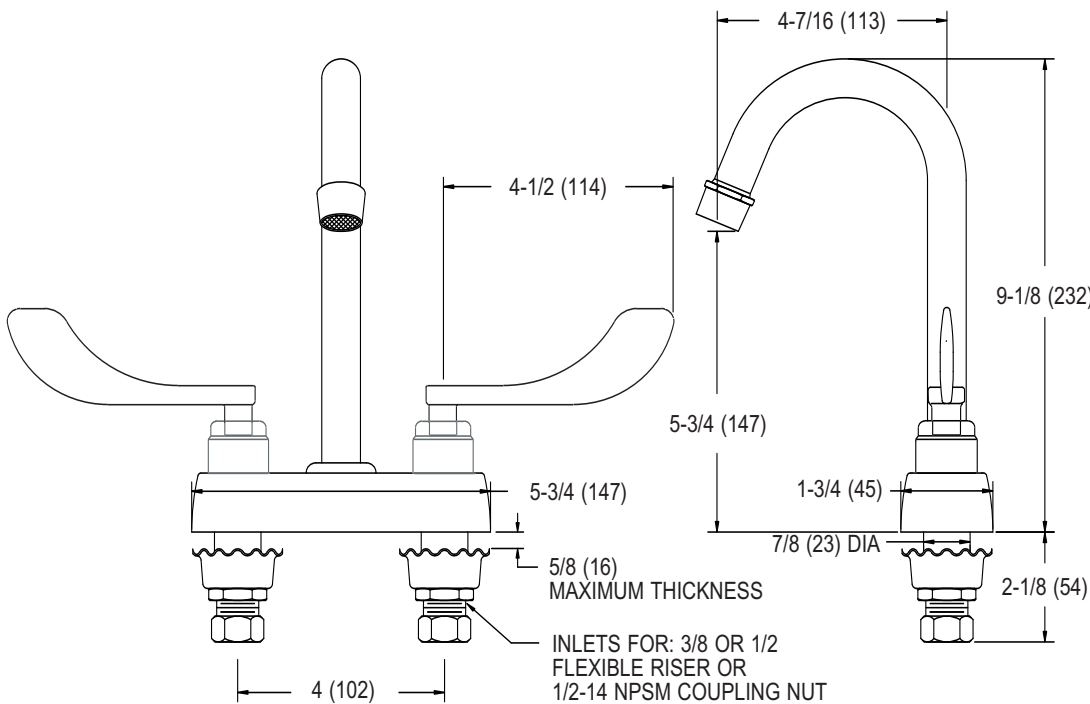
**Maximum Operating Pressure Rating** ..... 125 PSI (860 KPa)

**Maximum Operating Temperature Rating** ..... 65 C (150 F)

**Shipping Weight** ..... 3.8 Lbs (1.7 Kg)



**P1240 Model Shown**



Dimensions shown in inches (mm) are for reference only and are subject to change.

**Ordering Code:**

**P1240 - - - - -**

**Outlet Options**

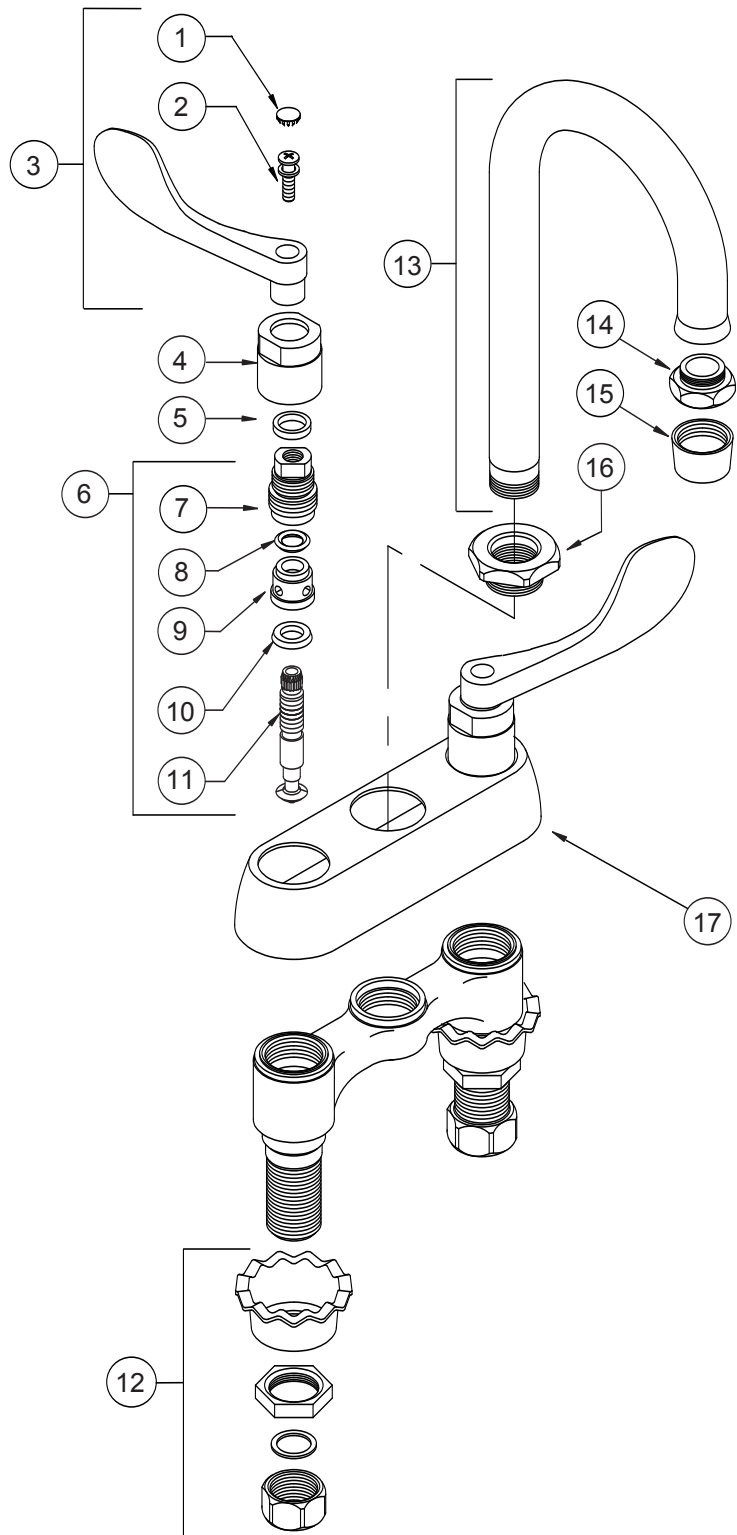
- Aerator (0.5 GPM, 1.9 L/min) **A5**
- Laminar Flow Outlet (2.0 GPM, 7.6 L/min) **LF**
- Spray Face (2.0 GPM, 7.6 L/min) **SF**
- Vandal Resistant Aerator (0.5 GPM, 1.9 L/min) **V5**
- Vandal Resistant Aerator (2.0 GPM, 7.6 L/min) **VA**
- Vandal Resistant Laminar Flow (2.0 GPM, 7.6 L/min) **VF**

**Additional Options**

- G1** Gooseneck Spout 3-1/2" (89 mm)
- G2** Gooseneck Spout 5-1/4" (133 mm)
- G3** Gooseneck Spout 8" (203 mm)
- VH** Vandal Resistant Handles
- QT** Quarter Turn Cartridges
- GD** 1-1/4" Grid Drain (P3902)
- OG** 1-1/4" Offset Grid Drain (P3906)

#	Description	Part #*
1	Button, Blue	039298-BP5
	Button, Red	039297-BP5
2	Screw	039328-BP5
3	4-1/2" Blade Handle Assy., Blue	039300
	4-1/2" Blade Handle Assy., Red	039299
4	Locknut	300631
5	O-Ring	039035-BP10
6	RH Cartridge	039037-BP5
	LH Cartridge	039038-BP5
7	RH Centrepiece	039031-BP5
	LH Centrepiece	039032-BP5
8	O-Ring	039034-BP10
9	Sleeve	039033-BP10
10	Seat Ring	039039-BP10
11	RH Stem	039029-BP10
	LH Stem	039030-BP10
12	Hardware Kit	039280
13	Spout Assy.	361010
14	Aerator Adaptor	303706
15	Aerator	300994
16	Spout Adaptor	300953
17	Cover	300392PP

\*BPx denotes the bulk pack quantity



# P1250 Lavatory Fitting, 4" Centreset



**P1250 Specification:** Commercial grade 4" lavatory supply fitting featuring rigid gooseneck spout with 4-1/2" (114 mm) spread, "H" and "C" indexed 5-rib metal handles, Dial-ese® cartridges, 2.0 GPM (7.6 L/min) aerator, and heavy duty cast brass body. Resilient chrome plated finish on all exposed surfaces.

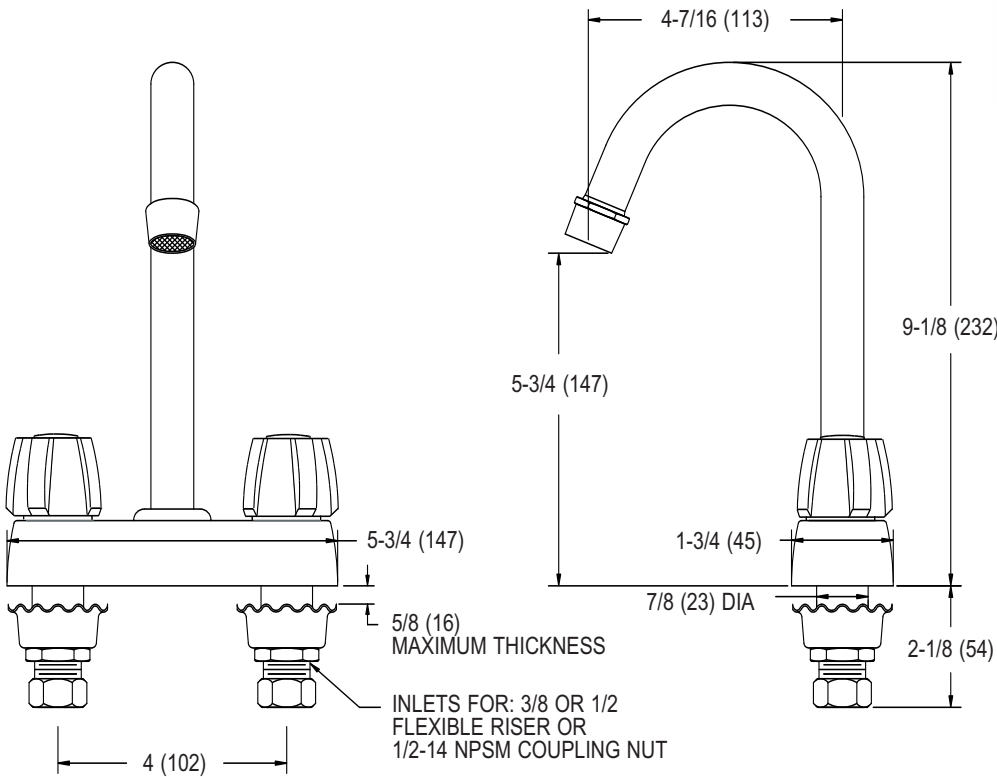
**Maximum Operating Pressure Rating** ..... 125 PSI (860 KPa)

**Maximum Operating Temperature Rating** ..... 65 C (150 F)

**Shipping Weight** ..... 3.8 Lbs (1.7 Kg)



**P1250 Model Shown**



Dimensions shown in inches (mm) are for reference only and are subject to change.



**Ordering Code:**

**P1250 - - - - -**

**Outlet Options**

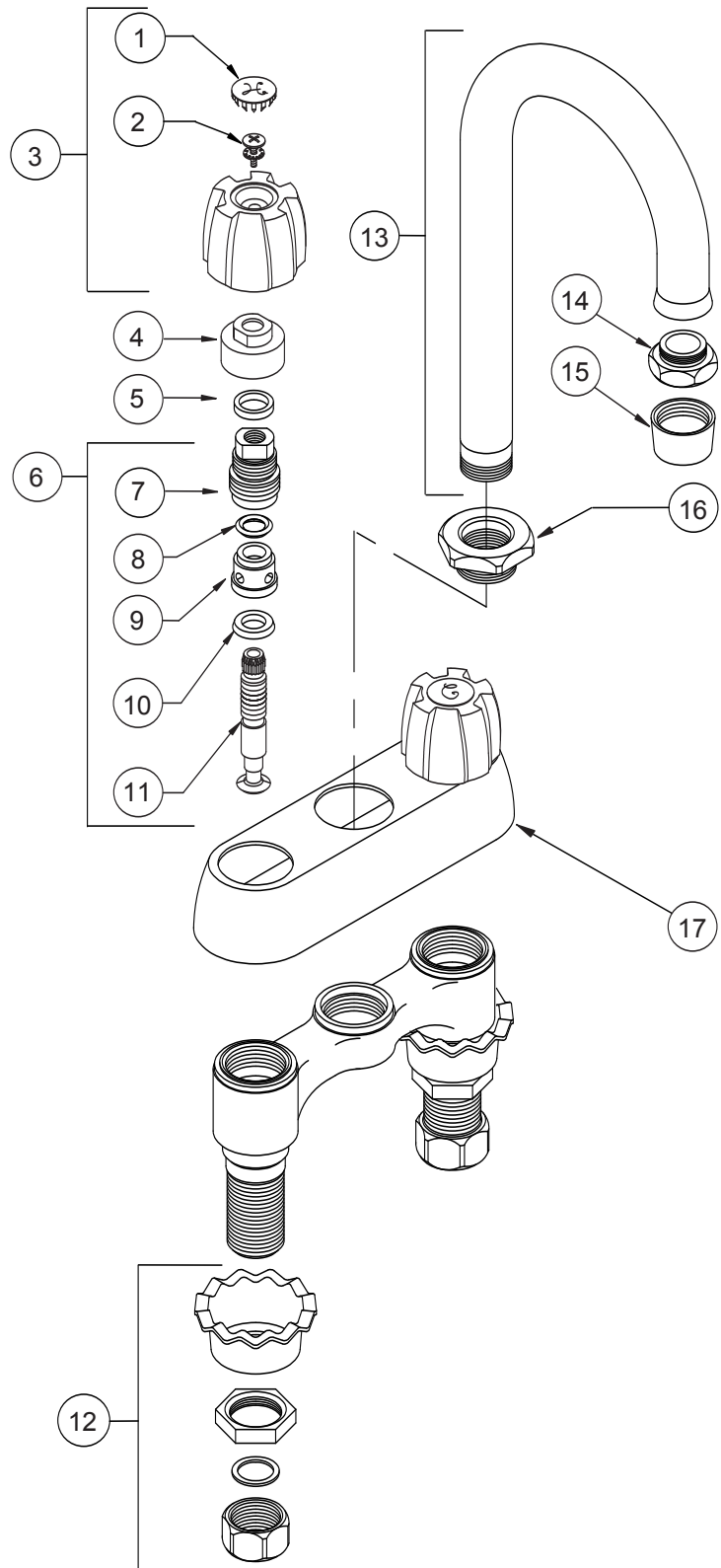
- Aerator (0.5 GPM, 1.9 L/min) **A5**
- Laminar Flow Outlet (2.0 GPM, 7.6 L/min) **LF**
- Spray Face (2.0 GPM, 7.6 L/min) **SF**
- Vandal Resistant Aerator (0.5 GPM, 1.9 L/min) **V5**
- Vandal Resistant Aerator (2.0 GPM, 7.6 L/min) **VA**
- Vandal Resistant Laminar Flow (2.0 GPM, 7.6 L/min) **VF**

**Additional Options**

- G1** Gooseneck Spout 3-1/2" (89 mm)
- G2** Gooseneck Spout 5-1/4" (133 mm)
- G3** Gooseneck Spout 8" (203 mm)
- VH** Vandal Resistant Handles
- QT** Quarter Turn Cartridges
- GD** 1-1/4" Grid Drain (P3902)
- OG** 1-1/4" Offset Grid Drain (P3906)

#	Description	Part #*
1	Button, Cold	039306-BP5
	Button, Hot	039305-BP5
2	Screw	039328-BP25
3	5-Rib Handle Assy., Cold	039303
	5-Rib Handle Assy., Hot	039304
4	Locknut	039028-BP10
5	O-Ring	039035-BP10
6	Cartridge	039038-BP5
7	Centrepiece	039032-BP5
8	O-Ring	039034-BP10
9	Sleeve	039033-BP10
10	Seat Ring	039039-BP10
11	Stem	039030-BP10
12	Hardware Kit	039280
13	Spout Assy.	361010
14	Aerator Adaptor	303706
15	Aerator	300994
16	Spout Adaptor	300953
17	Cover	300392PP

\*BPx denotes the bulk pack quantity



# P1260 Lavatory Fitting, 4" Centreset



**P1260 Specification:** Commercial grade 4" lavatory supply fitting featuring rigid gooseneck spout with 4-1/2" (114 mm) spread, colour indexed 6" metal blade handles, Dial-ese® cartridges, 2.0 GPM (7.6 L/min) aerator, and heavy duty cast brass body. Resilient chrome plated finish on all exposed surfaces.

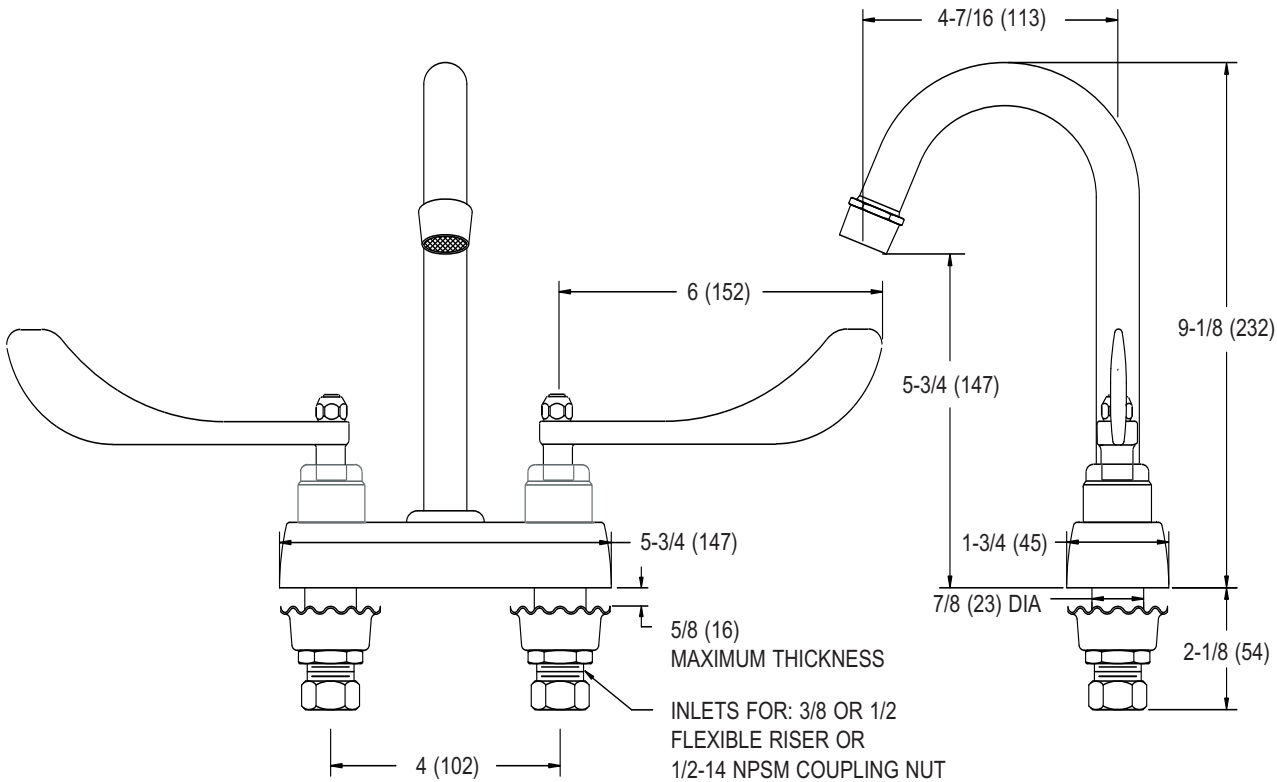
**Maximum Operating Pressure Rating** ..... 125 PSI (860 KPa)

**Maximum Operating Temperature Rating** ..... 65 C (150 F)

**Shipping Weight** ..... 3.8 Lbs (1.7 Kg)



**P1260 Model Shown**



Dimensions shown in inches (mm) are for reference only and are subject to change.

**Ordering Code:**

**P1260 - - - -**

**Outlet Options**

- Aerator (0.5 GPM, 1.9 L/min) **A5**
- Laminar Flow Outlet (2.0 GPM, 7.6 L/min) **LF**
- Spray Face (2.0 GPM, 7.6 L/min) **SF**
- Vandal Resistant Aerator (0.5 GPM, 1.9 L/min) **V5**
- Vandal Resistant Aerator (2.0 GPM, 7.6 L/min) **VA**
- Vandal Resistant Laminar Flow (2.0 GPM, 7.6 L/min) **VF**

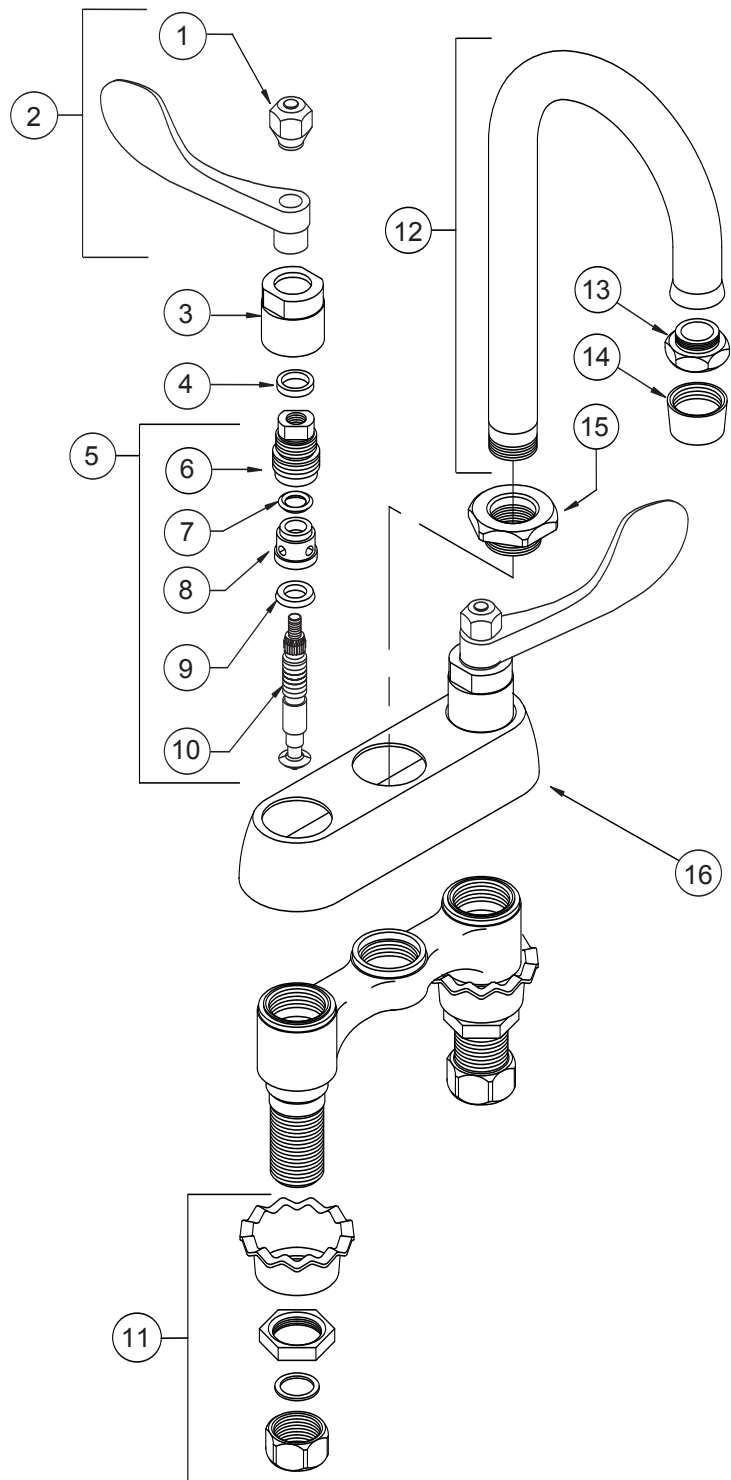
**Additional Options**

- G1** Gooseneck Spout 3-1/2" (89 mm)
- G2** Gooseneck Spout 5-1/4" (133 mm)
- G3** Gooseneck Spout 8" (203 mm)
- VH** Vandal Resistant Handles
- QT** Quarter Turn Cartridges
- GD** 1-1/4" Grid Drain (P3902)
- OG** 1-1/4" Offset Grid Drain (P3906)



#	Description	Part #*
1	Cap Nut, Blue	039302-BP5
	Cap Nut, Red	039301-BP5
2	6" Blade Handle Assy., Blue	039319
	6" Blade Handle Assy., Red	039320
3	Locknut	300631
4	O-Ring	039035-BP10
5	RH Cartridge	039065-BP5
	LH Cartridge	039064-BP5
6	RH Centrepiece	039031-BP5
	LH Centrepiece	039032-BP5
7	O-Ring	039034-BP10
8	Sleeve	039033-BP10
9	Seat Ring	039039-BP10
10	RH Stem	039056-BP5
	LH Stem	039055-BP5
11	Hardware Kit	039280
12	Spout Assy.	361010
13	Aerator Adaptor	303706
14	Aerator	300994
15	Spout Adaptor	300953
16	Cover	300392PP

\*BPx denotes the bulk pack quantity



# P1270 Lavatory Fitting, 4" Centreset



**P1270 Specification:** Commercial grade 4" lavatory supply fitting featuring rigid gooseneck spout with 4-1/2" (114 mm) spread, colour indexed metal cross handles, Dial-ese® cartridges, 2.0 GPM (7.6 L/min) aerator, and heavy duty cast brass body. Resilient chrome plated finish on all exposed surfaces.

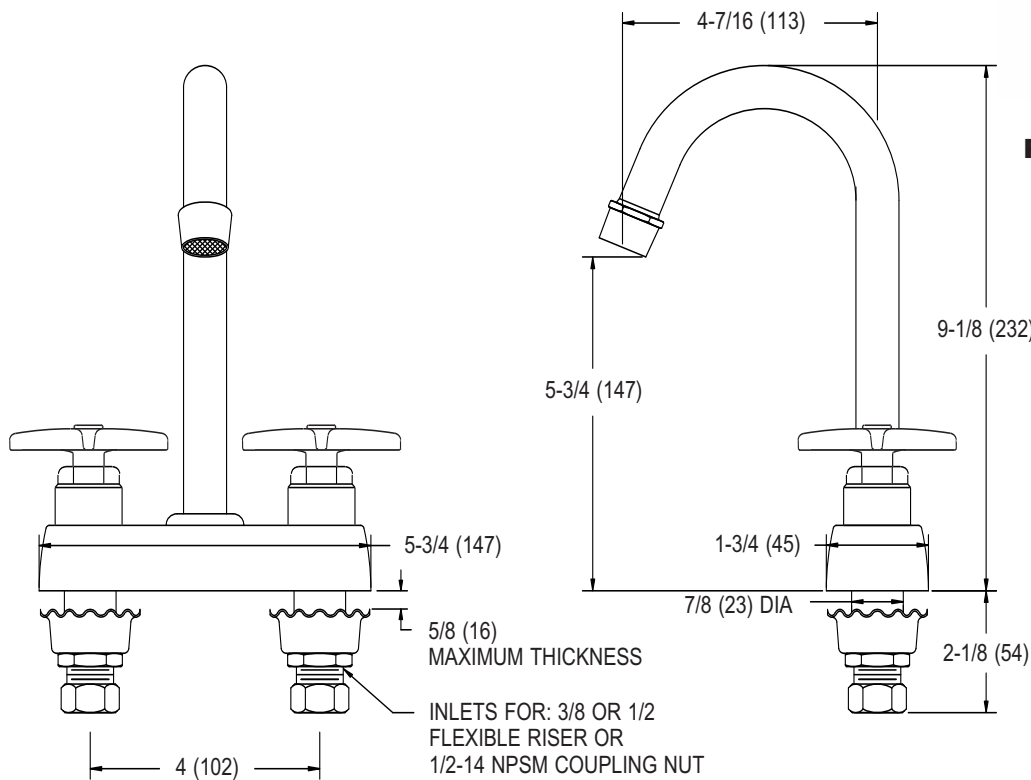
**Maximum Operating Pressure Rating** ..... 125 PSI (860 KPa)

**Maximum Operating Temperature Rating** ..... 65 C (150 F)

**Shipping Weight** ..... 3.8 Lbs (1.7 Kg)



**P1270 Model Shown**



Dimensions shown in inches (mm) are for reference only and are subject to change.



**Ordering Code:**

**P1270 -**

**Outlet Options**

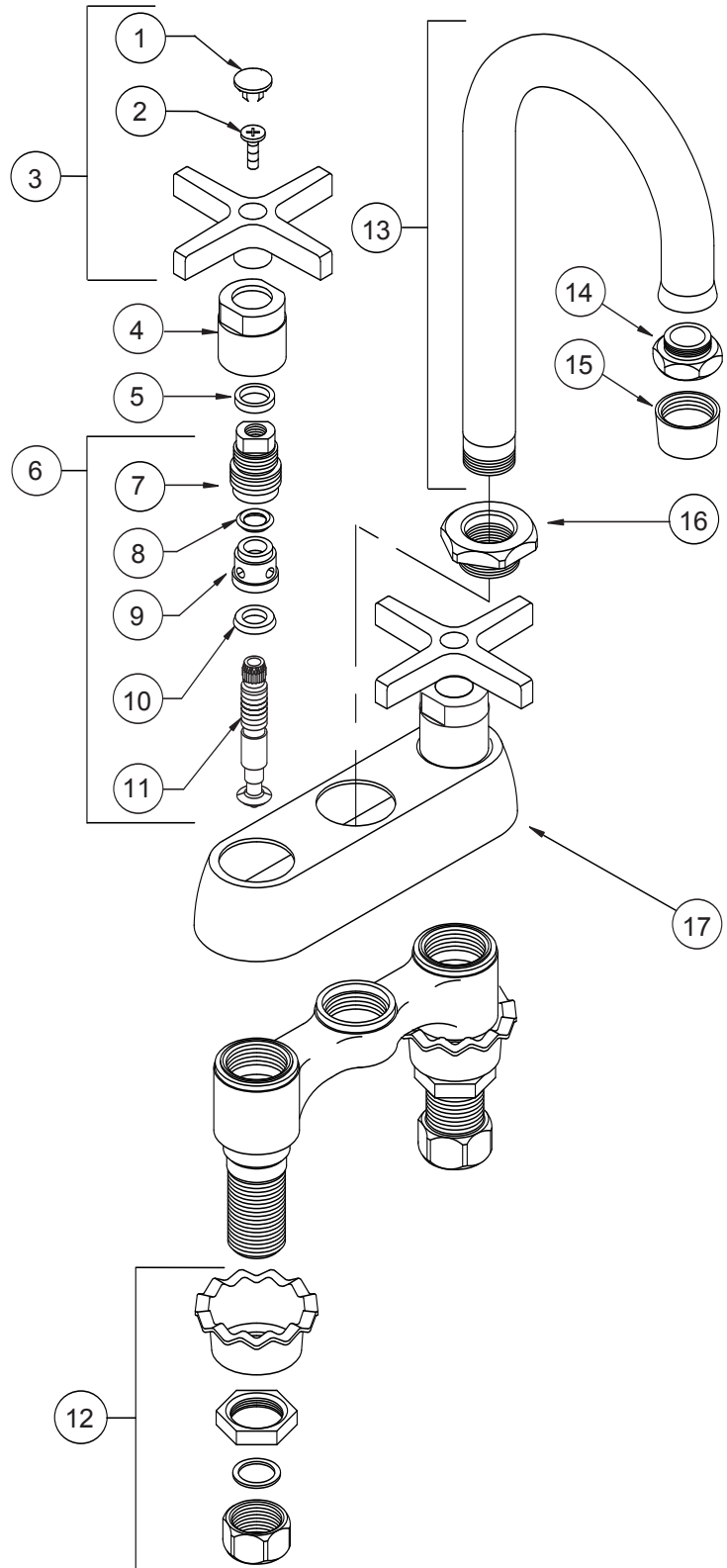
- Aerator (0.5 GPM, 1.9 L/min) **A5**
- Laminar Flow Outlet (2.0 GPM, 7.6 L/min) **LF**
- Spray Face (2.0 GPM, 7.6 L/min) **SF**
- Vandal Resistant Aerator (0.5 GPM, 1.9 L/min) **V5**
- Vandal Resistant Aerator (2.0 GPM, 7.6 L/min) **VA**
- Vandal Resistant Laminar Flow (2.0 GPM, 7.6 L/min) **VF**

**Additional Options**

- G1** Gooseneck Spout 3-1/2" (89 mm)
- G2** Gooseneck Spout 5-1/4" (133 mm)
- G3** Gooseneck Spout 8" (203 mm)
- VH** Vandal Resistant Handles
- QT** Quarter Turn Cartridges
- GD** 1-1/4" Grid Drain (P3902)
- OG** 1-1/4" Offset Grid Drain (P3906)

#	Description	Part #*
1	Button, Blue	039298-BP5
	Button, Red	039297-BP5
2	Screw	039328-BP25
3	Cross Handle Assy., Blue	039313
	Cross Handle Assy., Red	039314
4	Locknut	300631
5	O-Ring	039035-BP10
6	Cartridge	039038-BP5
7	Centrepiece	039032-BP5
8	O-Ring	039034-BP10
9	Sleeve	039033-BP10
10	Seat Ring	039039-BP10
11	Stem	039030-BP10
12	Hardware Kit	039280
13	Spout Assy.	361010
14	Aerator Adaptor	303706
15	Aerator	300994
16	Spout Adaptor	300953
17	Cover	300392PP

\*BPx denotes the bulk pack quantity



# P1405 Lavatory Fitting, 8" Centreset



**P1405 Specification:** Commercial grade 8" lavatory supply fitting with colour indexed vandal resistant metal handles, metering cartridges, 2.0 GPM (7.6 L/min) aerator, and heavy duty cast brass spout. Resilient polished chrome plated finish on all exposed surfaces. Time adjustable from 1 to 20 seconds.

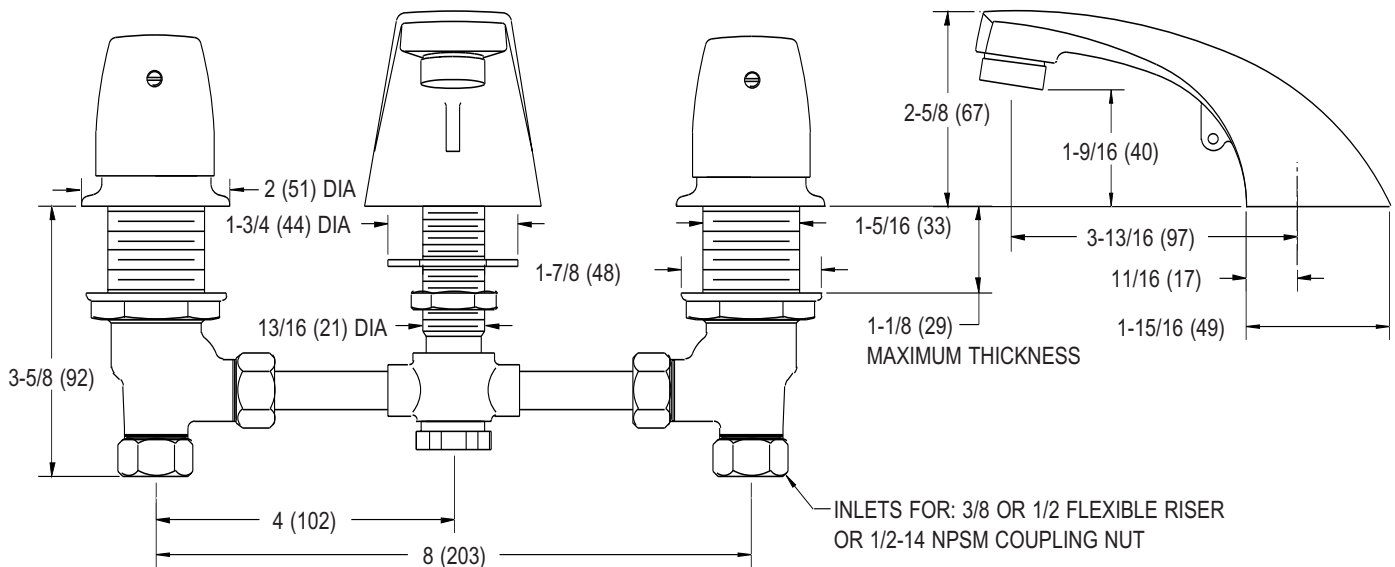


**Maximum Operating Pressure Rating** ..... 125 PSI (860 KPa)

**Maximum Operating Temperature Rating** ..... 65 C (150 F)

**Shipping Weight** ..... 5.3 Lbs (2.4 Kg)

**P1405 Model Shown**



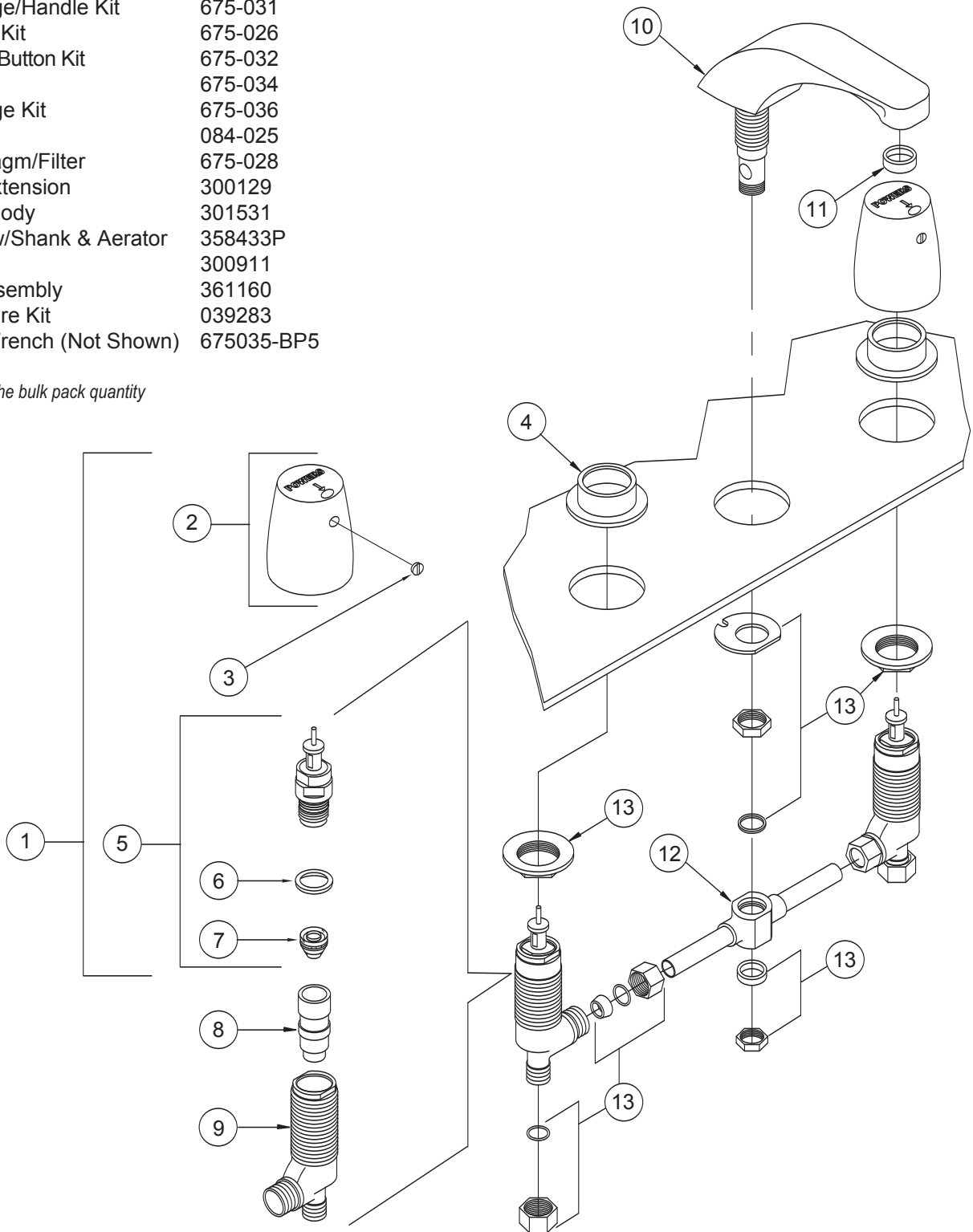
*Dimensions shown in inches (mm) are for reference only and are subject to change.*

**Ordering Code:**

<b>P1405 - - -</b>	
<p><b>Outlet Options</b></p> <ul style="list-style-type: none"> <li>Aerator (0.5 GPM, 1.9 L/min) <b>A5</b> <input type="checkbox"/></li> <li>Laminar Flow Outlet (2.0 GPM, 7.6 L/min) <b>LF</b> <input type="checkbox"/></li> <li>Spray Face (2.0 GPM, 7.6 L/min) <b>SF</b> <input type="checkbox"/></li> <li>Vandal Resistant Aerator (0.5 GPM, 1.9 L/min) <b>V5</b> <input type="checkbox"/></li> <li>Vandal Resistant Aerator (2.0 GPM, 7.6 L/min) <b>VA</b> <input type="checkbox"/></li> <li>Vandal Resistant Laminar Flow (2.0 GPM, 7.6 L/min) <b>VF</b> <input type="checkbox"/></li> </ul>	<p><b>Additional Options</b></p> <ul style="list-style-type: none"> <li><b>CW</b> Cold Water Side Only <input type="checkbox"/></li> <li><b>CS</b> 1-1/4" Chain Stay Drain (P3903) <input type="checkbox"/></li> <li><b>GD</b> 1-1/4" Grid Drain (P3902) <input type="checkbox"/></li> <li><b>OG</b> 1-1/4" Offset Grid Drain (P3906) <input type="checkbox"/></li> </ul>

#	Description	Part #*
1	Cartridge/Handle Kit	675-031
2	Handle Kit	675-026
3	Handle Button Kit	675-032
4	Flange	675-034
5	Cartridge Kit	675-036
6	O-Ring	084-025
7	Diaphragm/Filter	675-028
8	Seat Extension	300129
9	Valve Body	301531
10	Spout w/Shank & Aerator	358433P
11	Aerator	300911
12	Tee Assembly	361160
13	Hardware Kit	039283
14	Filter Wrench (Not Shown)	675035-BP5

\*BPx denotes the bulk pack quantity



# P1410 Lavatory Fitting, 8" Centreset



**P1410 Specification:** Commercial grade 8" lavatory supply fitting with "H" and "C" indexed acrylic handles, Dial-ese® cartridges, 2.0 GPM (7.6 L/min) aerator, and heavy duty cast brass spout. Resilient polished chrome plated finish on all exposed surfaces. Includes 1/2"-14 NPSM threaded inlets.

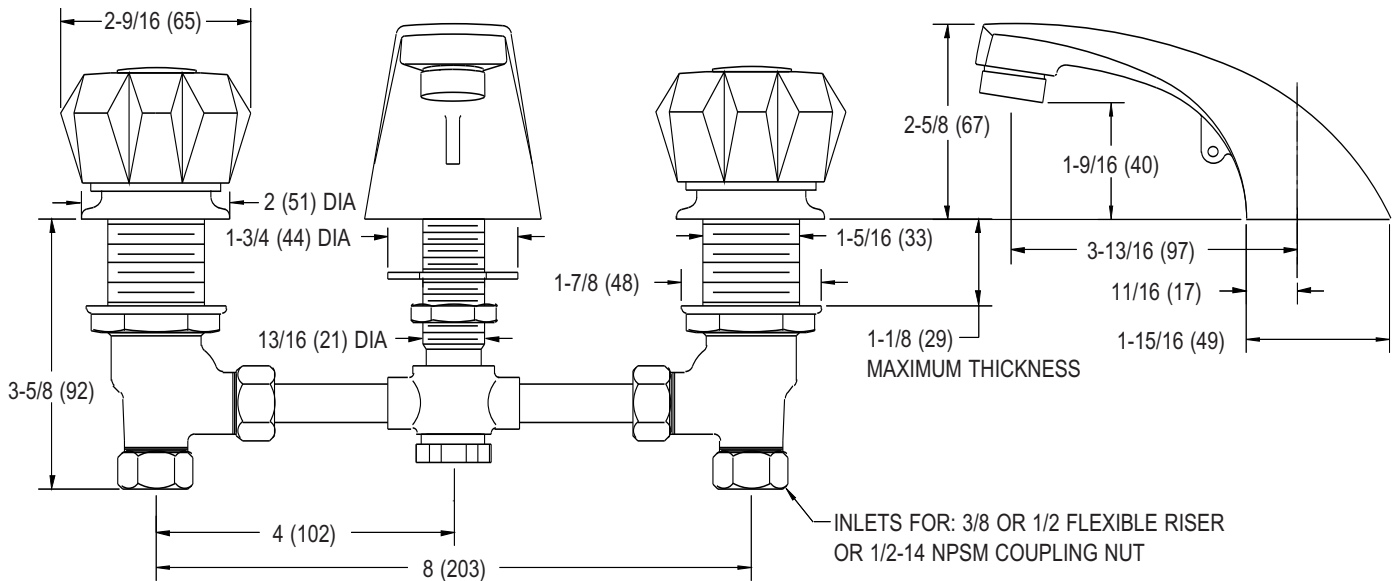


**Maximum Operating Pressure Rating** ..... 125 PSI (860 KPa)

**Maximum Operating Temperature Rating** ..... 65 C (150 F)

**Shipping Weight** ..... 5.1 Lbs (2.3 Kg)

**P1410 Model Shown**



Dimensions shown in inches (mm) are for reference only and are subject to change.



**Ordering Code:**

**P1410 - - -**

**Outlet Options**

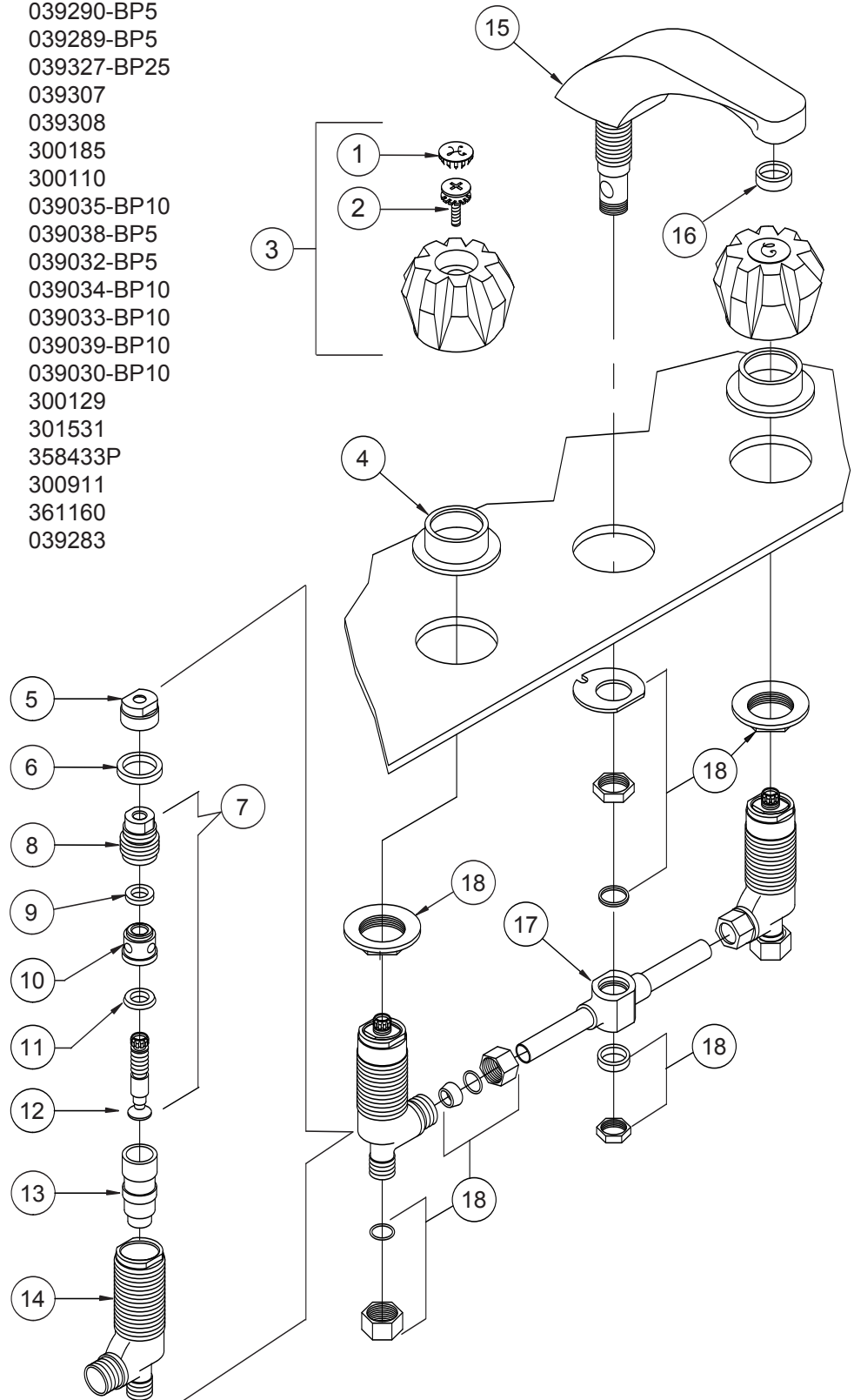
- Aerator (0.5 GPM, 1.9 L/min) **A5**
- Laminar Flow Outlet (2.0 GPM, 7.6 L/min) **LF**
- Spray Face (2.0 GPM, 7.6 L/min) **SF**
- Vandal Resistant Aerator (0.5 GPM, 1.9 L/min) **V5**
- Vandal Resistant Aerator (2.0 GPM, 7.6 L/min) **VA**
- Vandal Resistant Laminar Flow (2.0 GPM, 7.6 L/min) **VF**

**Additional Options**

- CW** Cold Water Side Only
- SC** Self Closing Cartridges
- VH** Vandal Resistant Handles
- QT** Quarter Turn Cartridges
- CS** 1-1/4" Chain Stay Drain (P3903)
- GD** 1-1/4" Grid Drain (P3902)
- OG** 1-1/4" Offset Grid Drain (P3906)

#	Description	Part #*
1	Button, Cold	039290-BP5
	Button, Hot	039289-BP5
2	Screw	039327-BP25
3	Acrylic Handle Assy., Cold	039307
	Acrylic Handle Assy., Hot	039308
4	Flange	300185
5	Locknut	300110
6	O-Ring	039035-BP10
7	Cartridge	039038-BP5
8	Centrepiece	039032-BP5
9	O-Ring	039034-BP10
10	Sleeve	039033-BP10
11	Seat Ring	039039-BP10
12	Stem	039030-BP10
13	Seat Extension	300129
14	Valve Body	301531
15	Spout w/Shank & Aerator	358433P
16	Aerator	300911
17	Tee Assembly	361160
18	Hardware Kit	039283

\*BPx denotes the bulk pack quantity



# P1420 Lavatory Fitting, 8" Centreset



**P1420 Specification:** Commercial grade 8" lavatory supply fitting with "H" and "C" indexed metal hooded lever handles, Dial-ese<sup>®</sup> cartridges, 2.0 GPM (7.6 L/min) aerator, and heavy duty cast brass spout. Resilient polished chrome plated finish on all exposed surfaces. Includes 1/2"-14 NPSM threaded inlets.

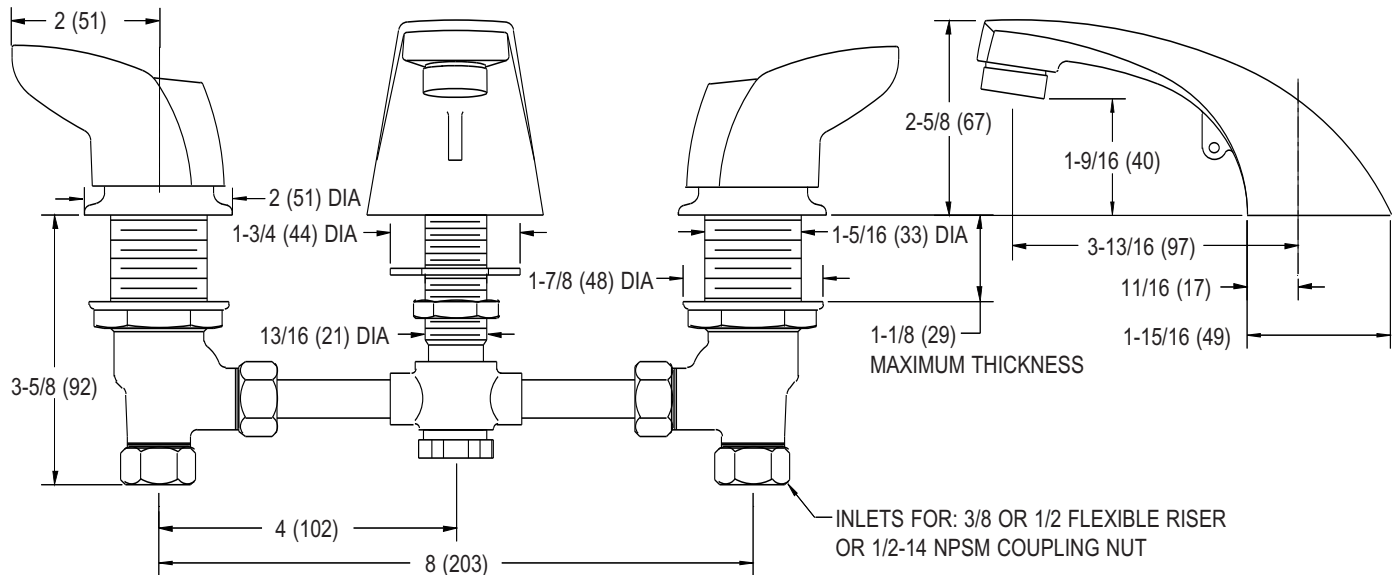


**Maximum Operating Pressure Rating** ..... 125 PSI (860 KPa)

**Maximum Operating Temperature Rating** ..... 65 C (150 F)

**Shipping Weight** ..... 5.1 Lbs (2.3 Kg)

**P1420 Model Shown**



Dimensions shown in inches (mm) are for reference only and are subject to change.

**Ordering Code:**

**P1420 - - -**

**Outlet Options**

- Aerator (0.5 GPM, 1.9 L/min) **A5**
- Laminar Flow Outlet (2.0 GPM, 7.6 L/min) **LF**
- Spray Face (2.0 GPM, 7.6 L/min) **SF**
- Vandal Resistant Aerator (0.5 GPM, 1.9 L/min) **V5**
- Vandal Resistant Aerator (2.0 GPM, 7.6 L/min) **VA**
- Vandal Resistant Laminar Flow (2.0 GPM, 7.6 L/min) **VF**

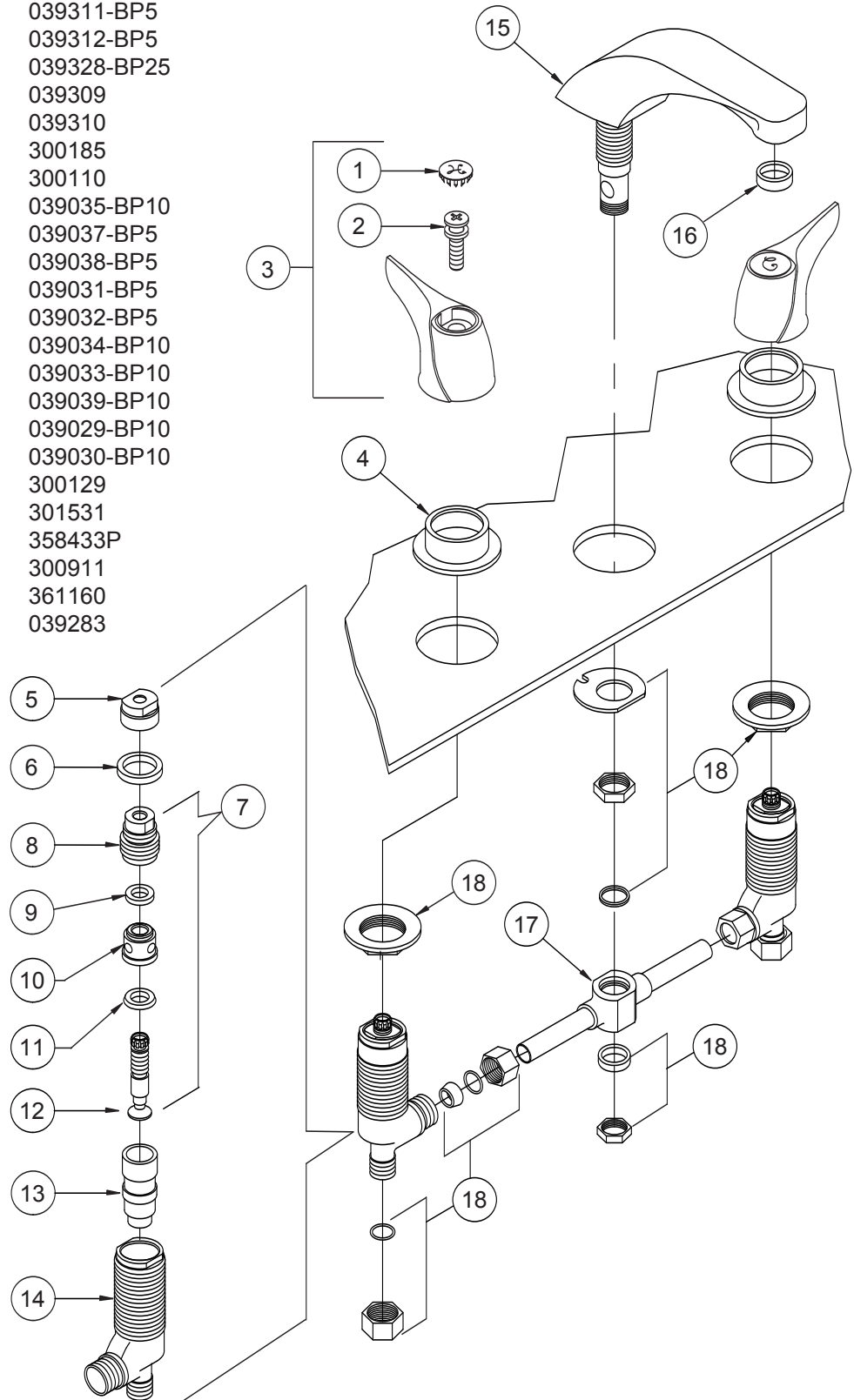
**Additional Options**

- CW** Cold Water Side Only
- SC** Self Closing Cartridges
- VH** Vandal Resistant Handles
- QT** Quarter Turn Cartridges
- CS** 1-1/4" Chain Stay Drain (P3903)
- GD** 1-1/4" Grid Drain (P3902)
- OG** 1-1/4" Offset Grid Drain (P3906)



#	Description	Part #*
1	Button, Cold	039311-BP5
	Button, Hot	039312-BP5
2	Screw	039328-BP25
3	Lever Handle Assy., Cold	039309
	Lever Handle Assy., Hot	039310
4	Flange	300185
5	Locknut	300110
6	O-Ring	039035-BP10
7	RH Cartridge	039037-BP5
	LH Cartridge	039038-BP5
8	RH Centrepiece	039031-BP5
	LH Centrepiece	039032-BP5
9	O-Ring	039034-BP10
10	Sleeve	039033-BP10
11	Seat Ring	039039-BP10
12	RH Stem	039029-BP10
	LH Stem	039030-BP10
13	Seat Extension	300129
14	Valve Body	301531
15	Spout w/Shank & Aerator	358433P
16	Aerator	300911
17	Tee Assembly	361160
18	Hardware Kit	039283

\*BPx denotes the bulk pack quantity



# P1430 Lavatory Fitting, 8" Centreset



**P1430 Specification:** Commercial grade 8" lavatory supply fitting with colour indexed 3" (76 mm) metal blade handles, Dial-ese® cartridges, 2.0 GPM (7.6 L/min) aerator, and heavy duty cast brass spout. Resilient polished chrome plated finish on all exposed surfaces. Includes 1/2"-14 NPSM threaded inlets.

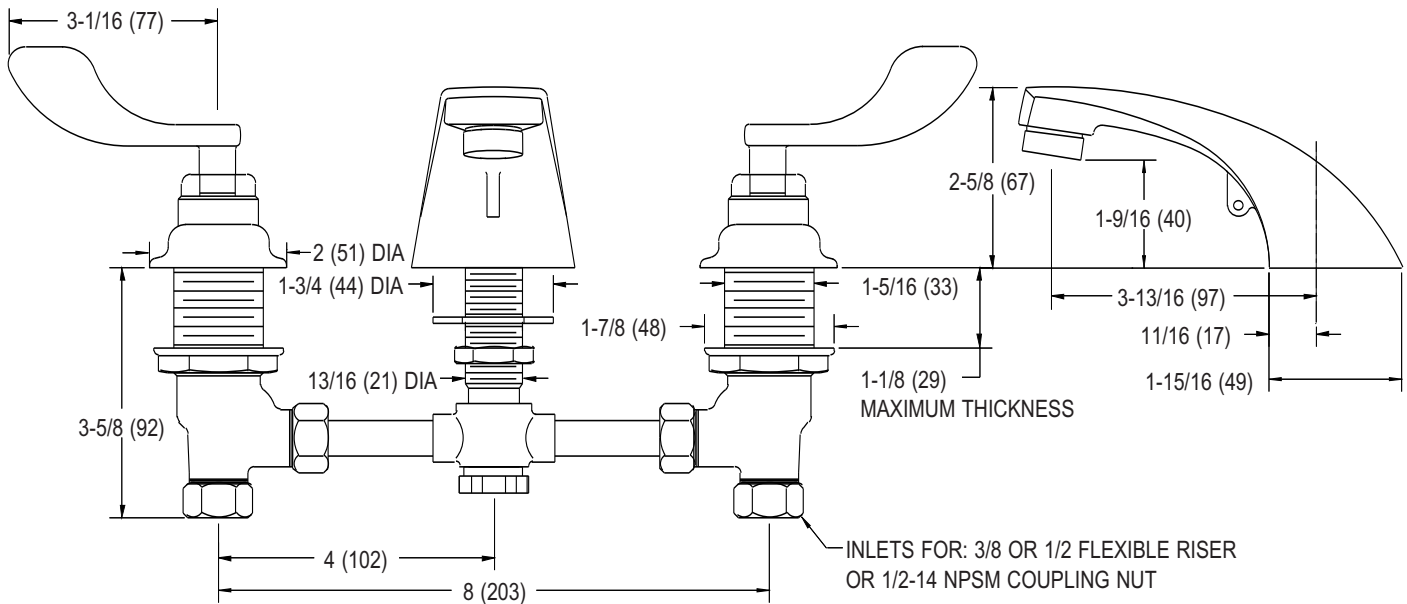


**Maximum Operating Pressure Rating** ..... 125 PSI (860 KPa)

**Maximum Operating Temperature Rating** ..... 65 C (150 F)

**Shipping Weight** ..... 5.1 Lbs (2.3 Kg)

**P1430 Model Shown**



Dimensions shown in inches (mm) are for reference only and are subject to change.

## Ordering Code:

### P1430 - - -

#### Outlet Options

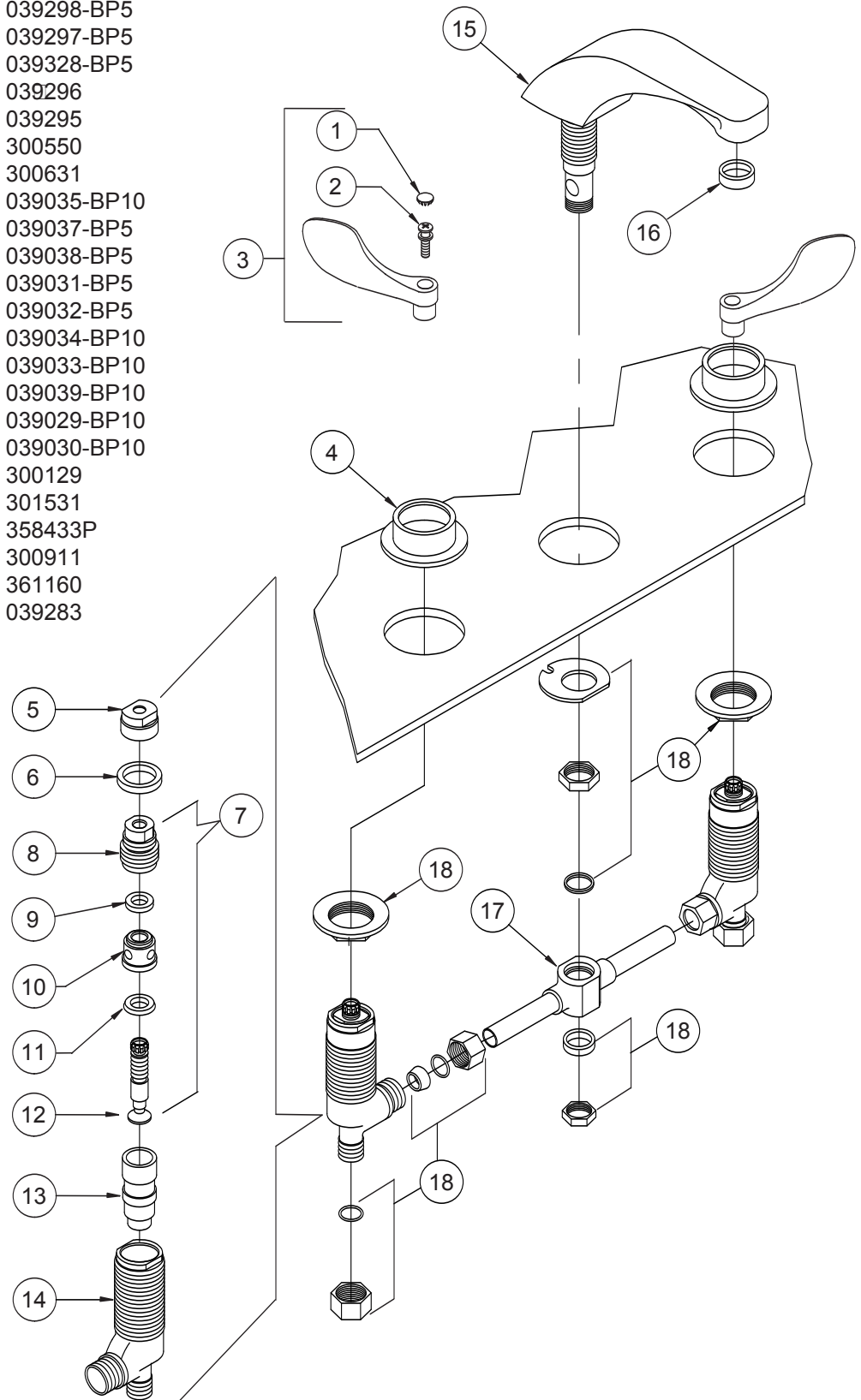
- Aerator (0.5 GPM, 1.9 L/min) **A5**
- Laminar Flow Outlet (2.0 GPM, 7.6 L/min) **LF**
- Spray Face (2.0 GPM, 7.6 L/min) **SF**
- Vandal Resistant Aerator (0.5 GPM, 1.9 L/min) **V5**
- Vandal Resistant Aerator (2.0 GPM, 7.6 L/min) **VA**
- Vandal Resistant Laminar Flow (2.0 GPM, 7.6 L/min) **VF**

#### Additional Options

- CW** Cold Water Side Only
- SC** Self Closing Cartridges
- VH** Vandal Resistant Handles
- QT** Quarter Turn Cartridges
- CS** 1-1/4" Chain Stay Drain (P3903)
- GD** 1-1/4" Grid Drain (P3902)
- OG** 1-1/4" Offset Grid Drain (P3906)

#	Description	Part #*
1	Button, Blue	039298-BP5
	Button, Red	039297-BP5
2	Screw	039328-BP5
3	3" Blade Handle Assy., Blue	039296
	3" Blade Handle Assy., Red	039295
4	Flange	300550
5	Locknut	300631
6	O-Ring	039035-BP10
7	RH Cartridge	039037-BP5
	LH Cartridge	039038-BP5
8	RH Centrepiece	039031-BP5
	LH Centrepiece	039032-BP5
9	O-Ring	039034-BP10
10	Sleeve	039033-BP10
11	Seat Ring	039039-BP10
12	RH Stem	039029-BP10
	LH Stem	039030-BP10
13	Seat Extension	300129
14	Valve Body	301531
15	Spout w/Shank & Aerator	358433P
16	Aerator	300911
17	Tee Assembly	361160
18	Hardware Kit	039283

\*BPx denotes the bulk pack quantity



# P1440 Lavatory Fitting, 8" Centreset



**P1440 Specification:** Commercial grade 8" lavatory supply fitting with colour indexed 4-1/2" (114 mm) metal blade handles, Dial-ese® cartridges, 2.0 GPM (7.6 L/min) aerator, and heavy duty cast brass spout. Resilient polished chrome plated finish on all exposed surfaces. Includes 1/2"-14 NPSM threaded inlets.

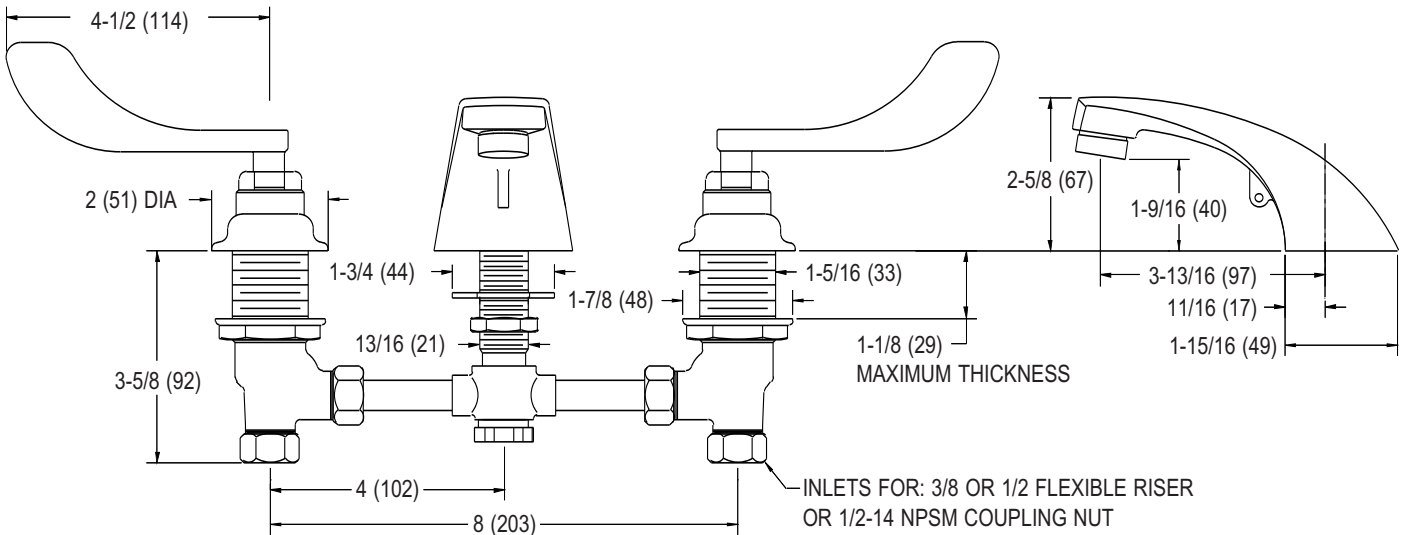


**Maximum Operating Pressure Rating** ..... 125 PSI (860 KPa)

**Maximum Operating Temperature Rating** ..... 65 C (150 F)

**Shipping Weight** ..... 5.1 Lbs (2.3 Kg)

**P1440 Model Shown**



Dimensions shown in inches (mm) are for reference only and are subject to change.

**Ordering Code:**

**P1440 - - -**

**Outlet Options**

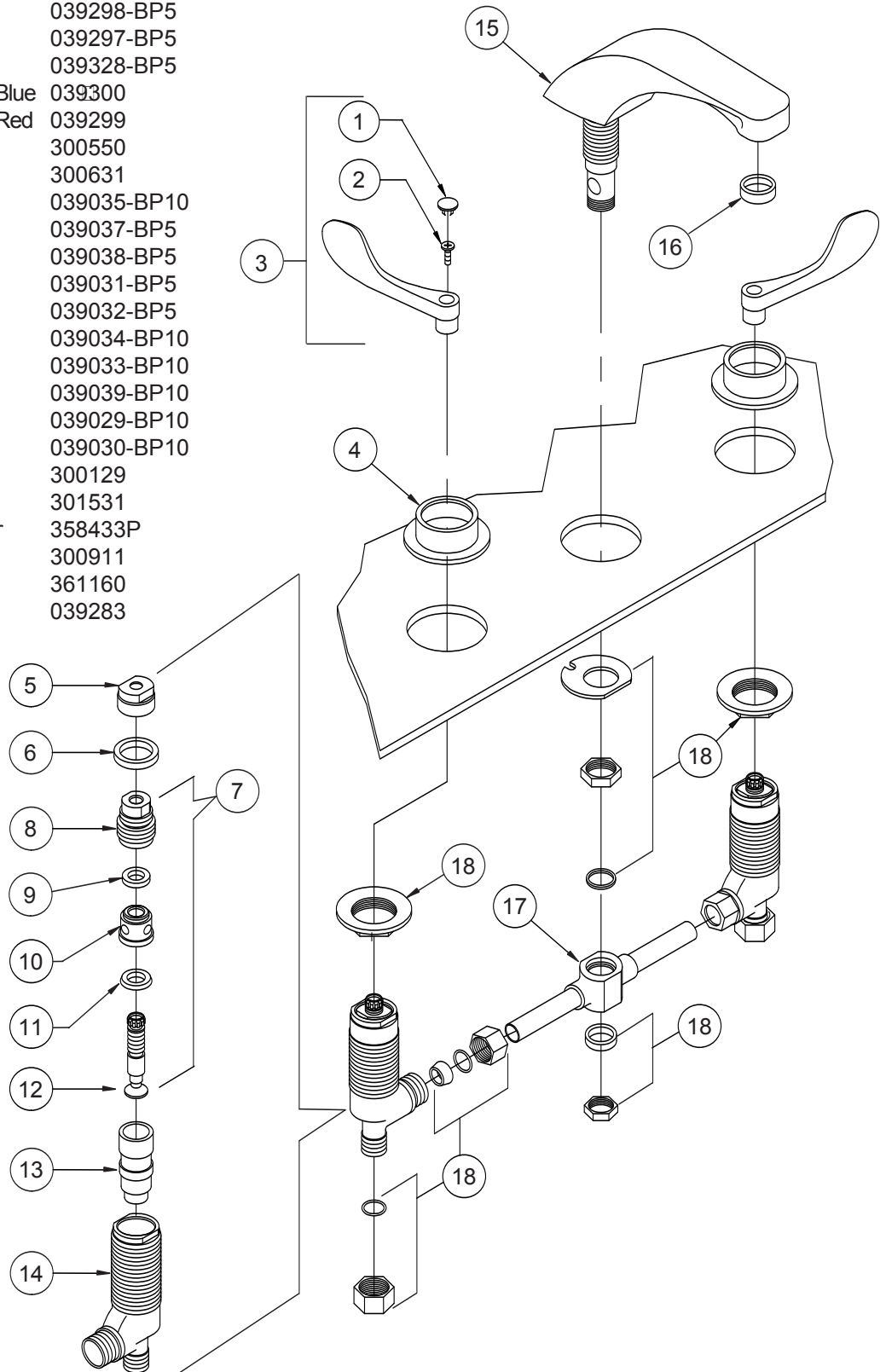
- Aerator (0.5 GPM, 1.9 L/min) **A5**
- Laminar Flow Outlet (2.0 GPM, 7.6 L/min) **LF**
- Spray Face (2.0 GPM, 7.6 L/min) **SF**
- Vandal Resistant Aerator (0.5 GPM, 1.9 L/min) **V5**
- Vandal Resistant Aerator (2.0 GPM, 7.6 L/min) **VA**
- Vandal Resistant Laminar Flow (2.0 GPM, 7.6 L/min) **VF**

**Additional Options**

- CW** Cold Water Side Only
- SC** Self Closing Cartridges
- VH** Vandal Resistant Handles
- QT** Quarter Turn Cartridges
- CS** 1-1/4" Chain Stay Drain (P3903)
- GD** 1-1/4" Grid Drain (P3902)
- OG** 1-1/4" Offset Grid Drain (P3906)

#	Description	Part #*
1	Button, Blue	039298-BP5
	Button, Red	039297-BP5
2	Screw	039328-BP5
3	4-1/2" Blade Handle Assy., Blue	039300
	4-1/2" Blade Handle Assy., Red	039299
4	Flange	300550
5	Locknut	300631
6	O-Ring	039035-BP10
7	RH Cartridge	039037-BP5
	LH Cartridge	039038-BP5
8	RH Centrepiece	039031-BP5
	LH Centrepiece	039032-BP5
9	O-Ring	039034-BP10
10	Sleeve	039033-BP10
11	Seat Ring	039039-BP10
12	RH Stem	039029-BP10
	LH Stem	039030-BP10
13	Seat Extension	300129
14	Valve Body	301531
15	Spout w/Shank & Aerator	358433P
16	Aerator	300911
17	Tee Assembly	361160
18	Hardware Kit	039283

\*BPx denotes the bulk pack quantity



# P1450 Lavatory Fitting, 8" Centreset



**P1450 Specification:** Commercial grade 8" lavatory supply fitting with "H" and "C" indexed 5-rib metal handles, Dial-ese<sup>®</sup> cartridges, 2.0 GPM (7.6 L/min) aerator, and heavy duty cast brass spout. Resilient polished chrome plated finish on all exposed surfaces. Includes 1/2"-14 NPSM threaded inlets.

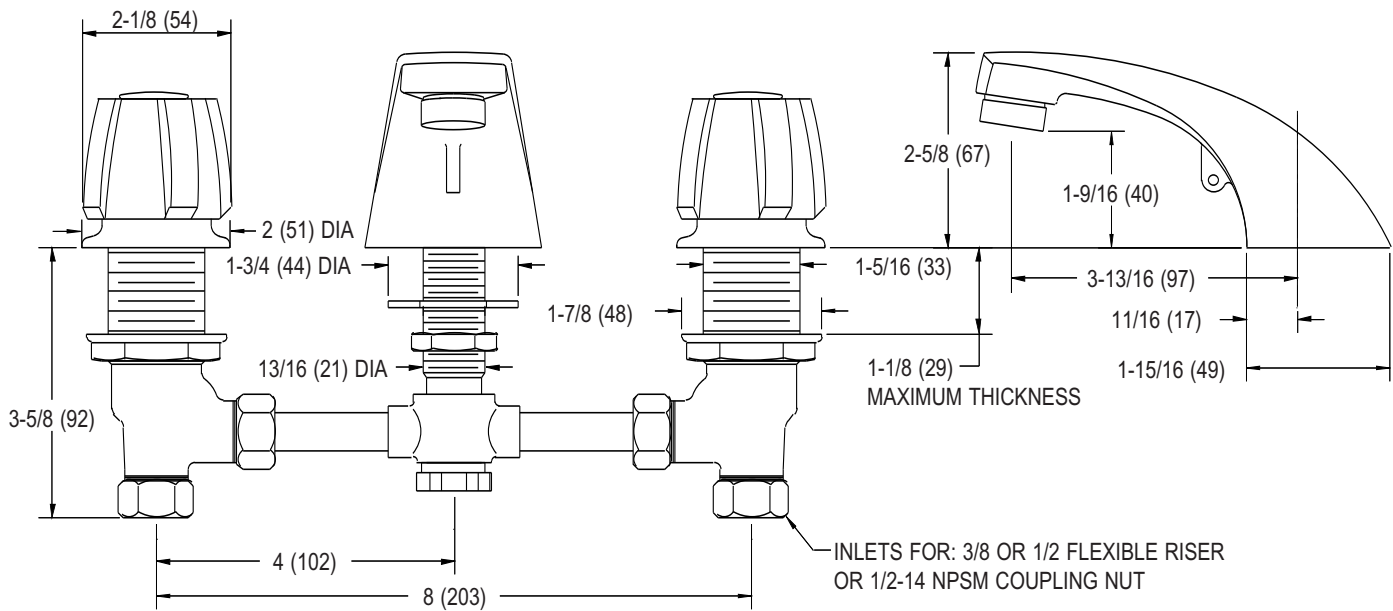


**Maximum Operating Pressure Rating** ..... 125 PSI (860 KPa)

**Maximum Operating Temperature Rating** ..... 65 C (150 F)

**Shipping Weight** ..... 5.1 Lbs (2.3 Kg)

**P1450 Model Shown**



*Dimensions shown in inches (mm) are for reference only and are subject to change.*

**Ordering Code:**

**P1450 - - -**

**Outlet Options**

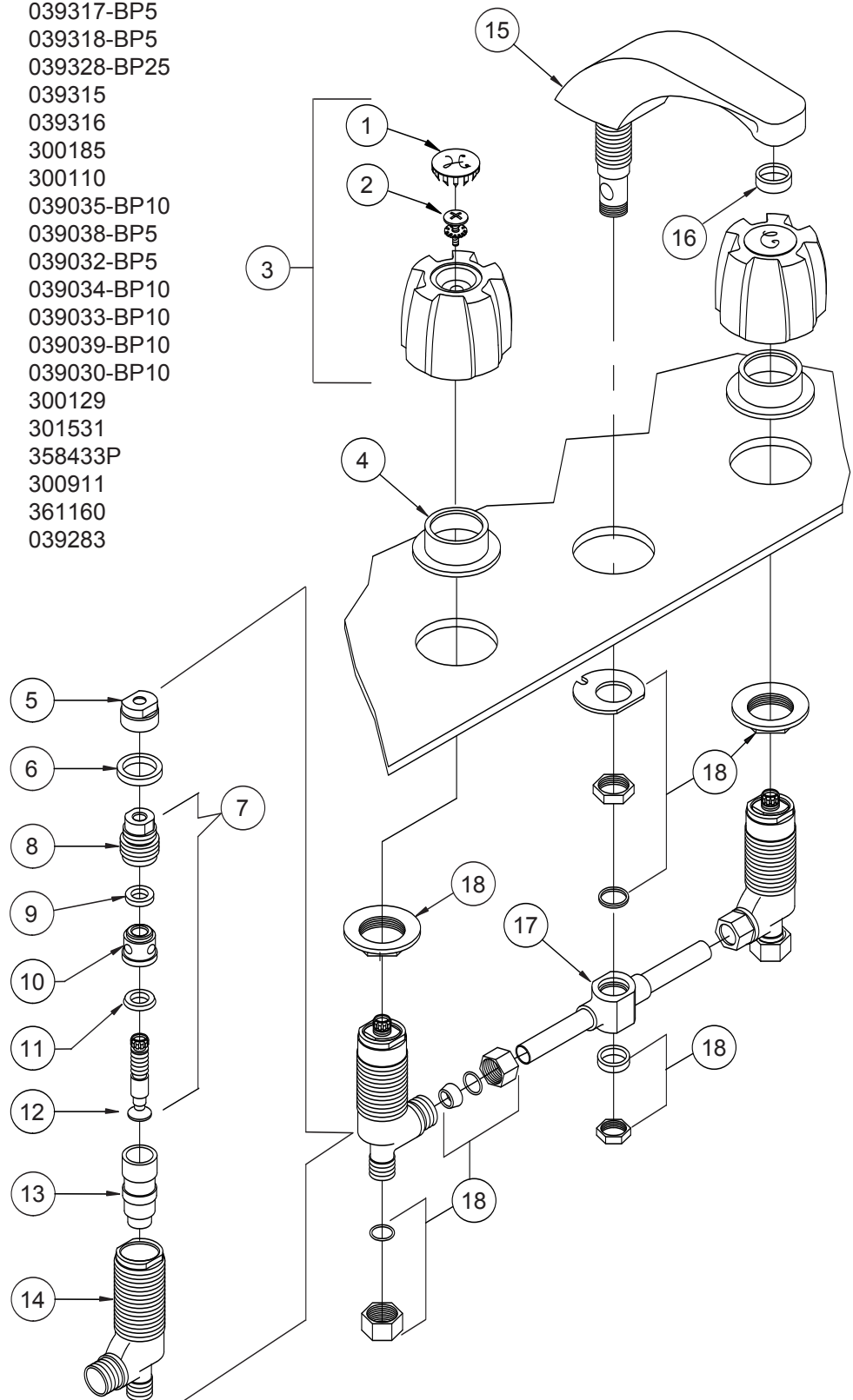
- Aerator (0.5 GPM, 1.9 L/min) **A5**
- Laminar Flow Outlet (2.0 GPM, 7.6 L/min) **LF**
- Spray Face (2.0 GPM, 7.6 L/min) **SF**
- Vandal Resistant Aerator (0.5 GPM, 1.9 L/min) **V5**
- Vandal Resistant Aerator (2.0 GPM, 7.6 L/min) **VA**
- Vandal Resistant Laminar Flow (2.0 GPM, 7.6 L/min) **VF**

**Additional Options**

- CW** Cold Water Side Only
- SC** Self Closing Cartridges
- VH** Vandal Resistant Handles
- QT** Quarter Turn Cartridges
- CS** 1-1/4" Chain Stay Drain (P3903)
- GD** 1-1/4" Grid Drain (P3902)
- OG** 1-1/4" Offset Grid Drain (P3906)

#	Description	Part #*
1	Button, Cold	039317-BP5
	Button, Hot	039318-BP5
2	Screw	039328-BP25
3	5-Rib Handle Assy., Cold	039315
	5-Rib Handle Assy., Hot	039316
4	Flange	300185
5	Locknut	300110
6	O-Ring	039035-BP10
7	Cartridge	039038-BP5
8	Centrepiece	039032-BP5
9	O-Ring	039034-BP10
10	Sleeve	039033-BP10
11	Seat Ring	039039-BP10
12	Stem	039030-BP10
13	Seat Extension	300129
14	Valve Body	301531
15	Spout w/Shank & Aerator	358433P
16	Aerator	300911
17	Tee Assembly	361160
18	Hardware Kit	039283

\*BPx denotes the bulk pack quantity



# P1460 Lavatory Fitting, 8" Centreset



**P1460 Specification:** Commercial grade 8" lavatory supply fitting with colour indexed 6" (152 mm) metal blade handles, Dial-ese® cartridges, 2.0 GPM (7.6 L/min) aerator, and heavy duty cast brass spout. Resilient polished chrome plated finish on all exposed surfaces. Includes 1/2"-14 NPSM threaded inlets.

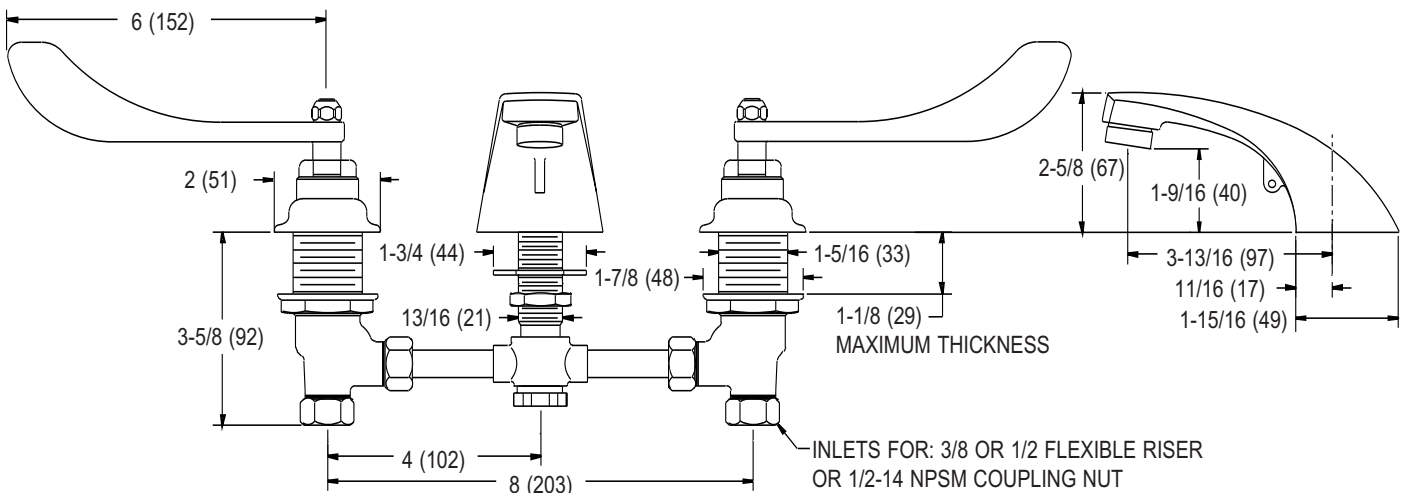


**Maximum Operating Pressure Rating** ..... 125 PSI (860 KPa)

**P1460 Model Shown**

**Maximum Operating Temperature Rating** ..... 65 C (150 F)

**Shipping Weight** ..... 5.3 Lbs (2.4 Kg)



Dimensions shown in inches (mm) are for reference only and are subject to change.

## Ordering Code:

**P1460 - - -**

### Outlet Options

- Aerator (0.5 GPM, 1.9 L/min) **A5**
- Laminar Flow Outlet (2.0 GPM, 7.6 L/min) **LF**
- Spray Face (2.0 GPM, 7.6 L/min) **SF**
- Vandal Resistant Aerator (0.5 GPM, 1.9 L/min) **V5**
- Vandal Resistant Aerator (2.0 GPM, 7.6 L/min) **VA**
- Vandal Resistant Laminar Flow (2.0 GPM, 7.6 L/min) **VF**

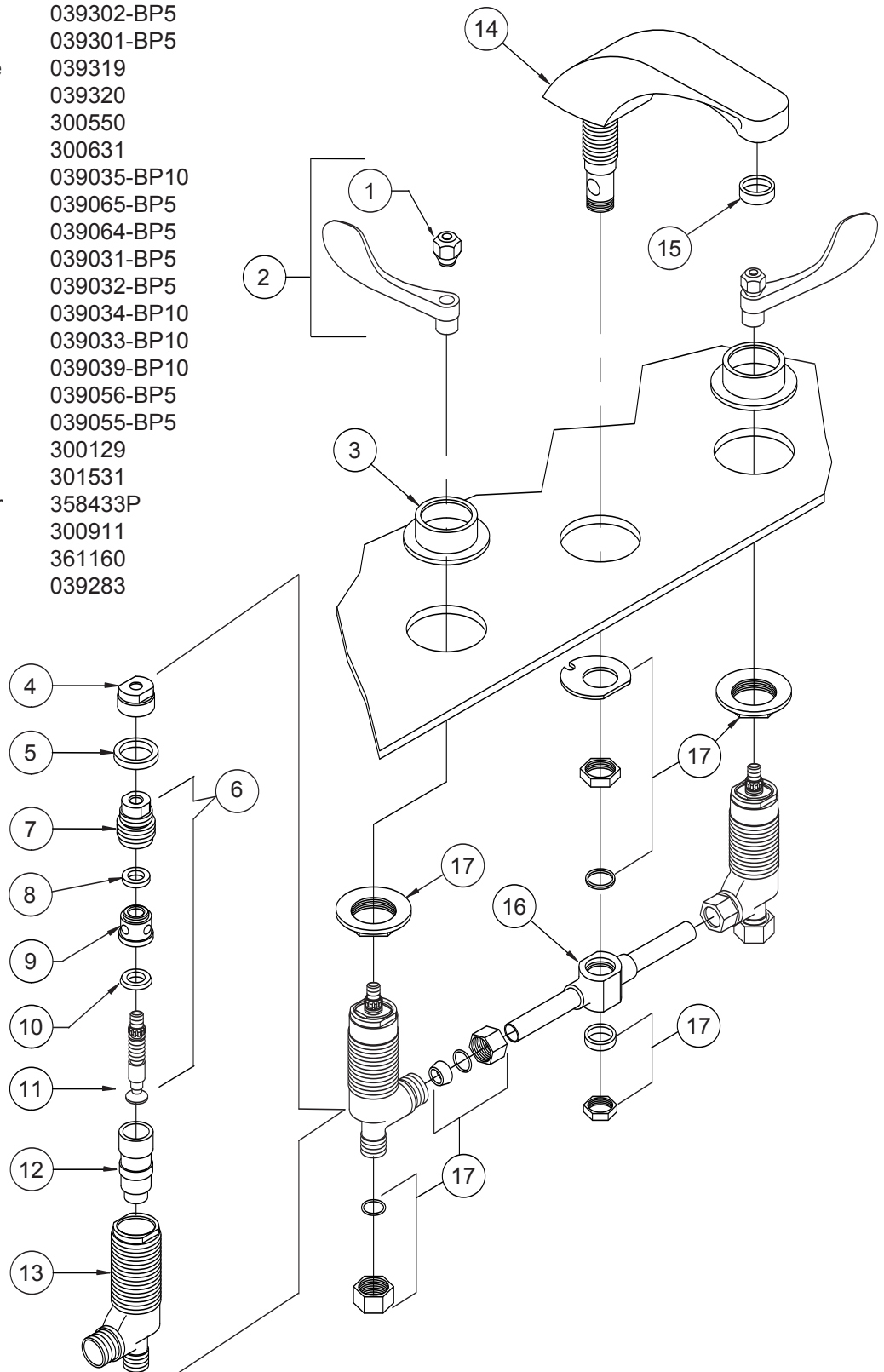
### Additional Options

- CW** Cold Water Side Only
- VH** Vandal Resistant Handles
- QT** Quarter Turn Cartridges
- CS** 1-1/4" Chain Stay Drain (P3903)
- GD** 1-1/4" Grid Drain (P3902)
- OG** 1-1/4" Offset Grid Drain (P3906)



#	Description	Part #*
1	Cap Nut, Blue	039302-BP5
	Cap Nut, Red	039301-BP5
2	6" Blade Handle Assy., Blue	039319
	6" Blade Handle Assy., Red	039320
3	Flange	300550
4	Locknut	300631
5	O-Ring	039035-BP10
6	RH Cartridge	039065-BP5
	LH Cartridge	039064-BP5
7	RH Centrepiece	039031-BP5
	LH Centrepiece	039032-BP5
8	O-Ring	039034-BP10
9	Sleeve	039033-BP10
10	Seat Ring	039039-BP10
11	RH Stem	039056-BP5
	LH Stem	039055-BP5
12	Seat Extension	300129
13	Valve Body	301531
14	Spout w/Shank & Aerator	358433P
15	Aerator	300911
16	Tee Assembly	361160
17	Hardware Kit	039283

\*BPx denotes the bulk pack quantity



# P1470 Lavatory Fitting, 8" Centreset



**P1470 Specification:** Commercial grade 8" lavatory supply fitting with colour indexed metal cross handles, Dial-ese® cartridges, 2.0 GPM (7.6 L/min) aerator, and heavy duty cast brass spout. Resilient polished chrome plated finish on all exposed surfaces. Includes 1/2"-14 NPSM threaded inlets.

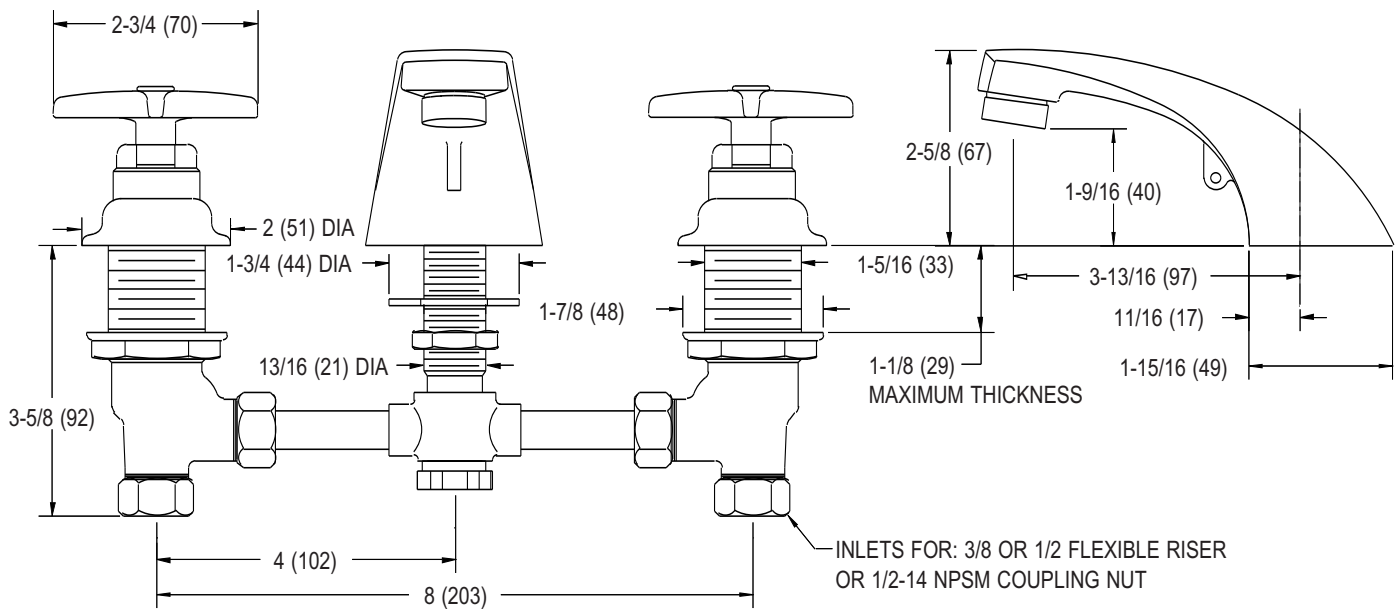


**P1470 Model Shown**

**Maximum Operating Pressure Rating** ..... 125 PSI (860 KPa)

**Maximum Operating Temperature Rating** ..... 65 C (150 F)

**Shipping Weight** ..... 5.1 Lbs (2.3 Kg)



Dimensions shown in inches (mm) are for reference only and are subject to change.



**Ordering Code:**

**P1470 - - -**

**Outlet Options**

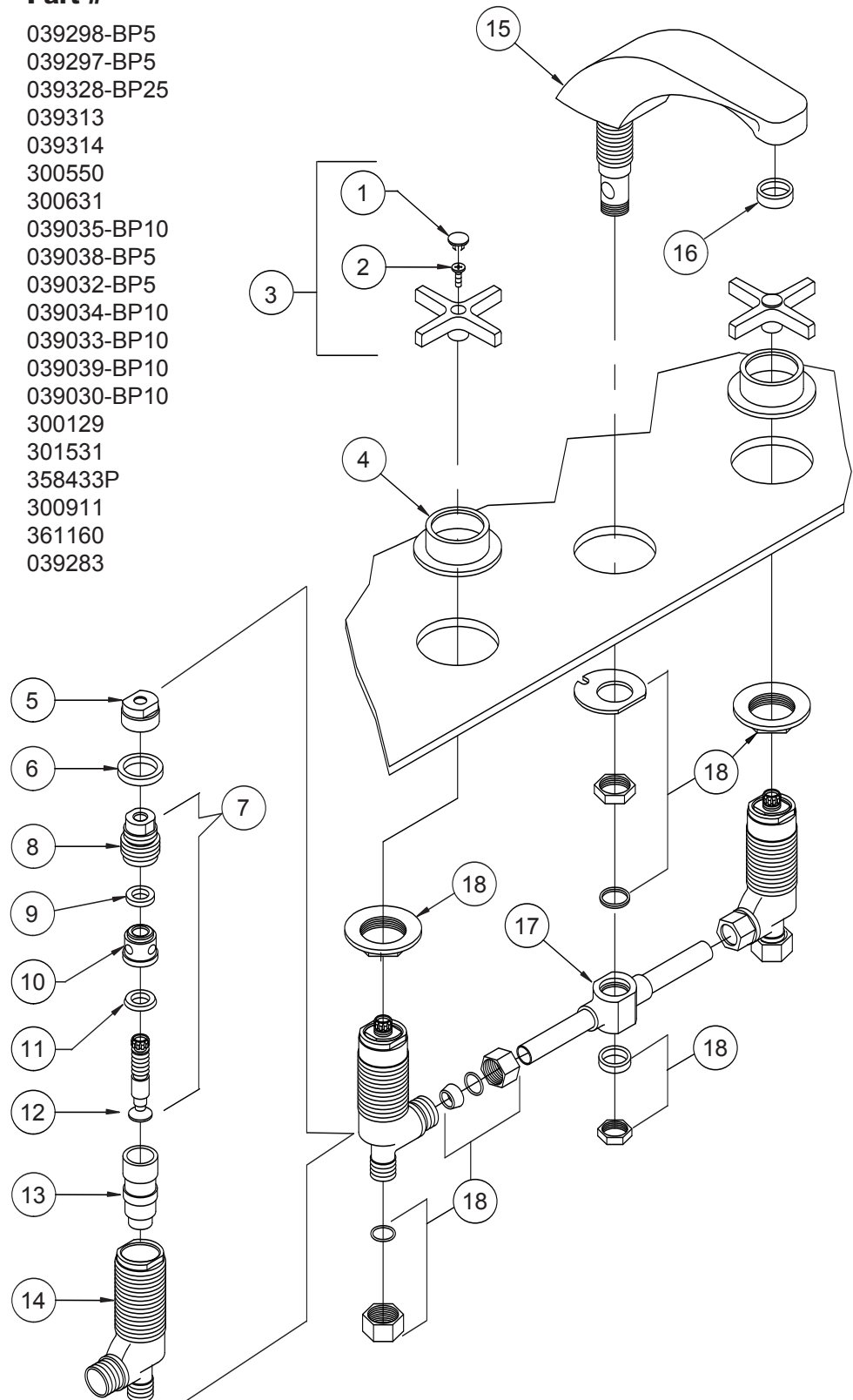
- Aerator (0.5 GPM, 1.9 L/min) **A5**
- Laminar Flow Outlet (2.0 GPM, 7.6 L/min) **LF**
- Spray Face (2.0 GPM, 7.6 L/min) **SF**
- Vandal Resistant Aerator (0.5 GPM, 1.9 L/min) **V5**
- Vandal Resistant Aerator (2.0 GPM, 7.6 L/min) **VA**
- Vandal Resistant Laminar Flow (2.0 GPM, 7.6 L/min) **VF**

**Additional Options**

- CW** Cold Water Side Only
- SC** Self Closing Cartridges
- VH** Vandal Resistant Handles
- QT** Quarter Turn Cartridges
- CS** 1-1/4" Chain Stay Drain (P3903)
- GD** 1-1/4" Grid Drain (P3902)
- OG** 1-1/4" Offset Grid Drain (P3906)

#	Description	Part #*
1	Button, Blue	039298-BP5
	Button, Red	039297-BP5
2	Screw	039328-BP25
3	Cross Handle Assy., Blue	039313
	Cross Handle Assy., Red	039314
4	Flange	300550
5	Locknut	300631
6	O-Ring	039035-BP10
7	Cartridge	039038-BP5
8	Centrepiece	039032-BP5
9	O-Ring	039034-BP10
10	Sleeve	039033-BP10
11	Seat Ring	039039-BP10
12	Stem	039030-BP10
13	Seat Extension	300129
14	Valve Body	301531
15	Spout w/Shank & Aerator	358433P
16	Aerator	300911
17	Tee Assembly	361160
18	Hardware Kit	039283

\*BPx denotes the bulk pack quantity



# P1505 Lavatory Fitting, 8" With Pop-Up



**P1505 Specification:** Commercial grade 8" lavatory supply fitting complete with pop-up waste, colour indexed vandal resistant metal handles, metering cartridges, 2.0 GPM (7.6 L/min) aerator, and heavy duty cast brass spout. Resilient polished chrome plated finish on all exposed surfaces. Time adjustable from 1 to 20 sec.

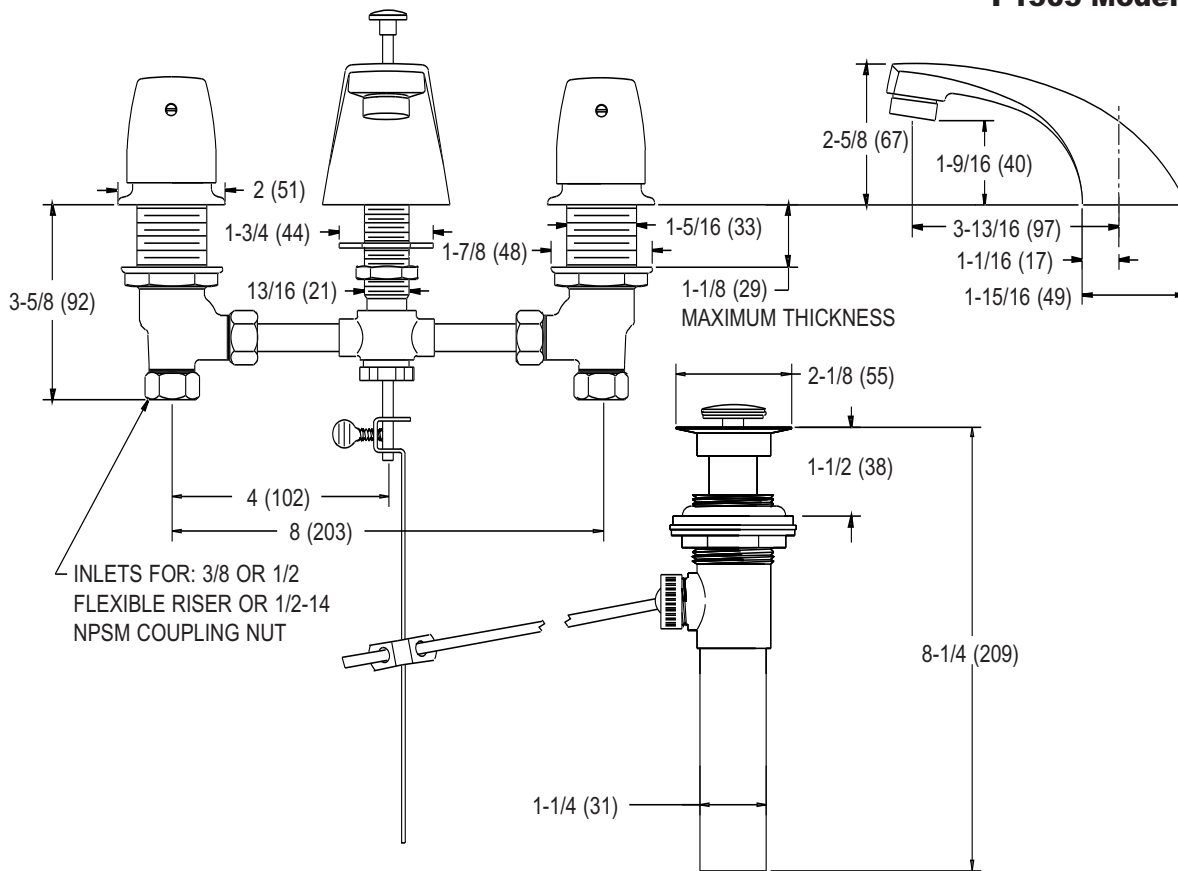
**Maximum Operating Pressure Rating** ..... 125 PSI (860 KPa)

**Maximum Operating Temperature Rating** ..... 65 C (150 F)

**Shipping Weight** ..... 7.0 Lbs (3.1 Kg)



**P1505 Model Shown**



*Dimensions shown in inches (mm) are for reference only and are subject to change.*

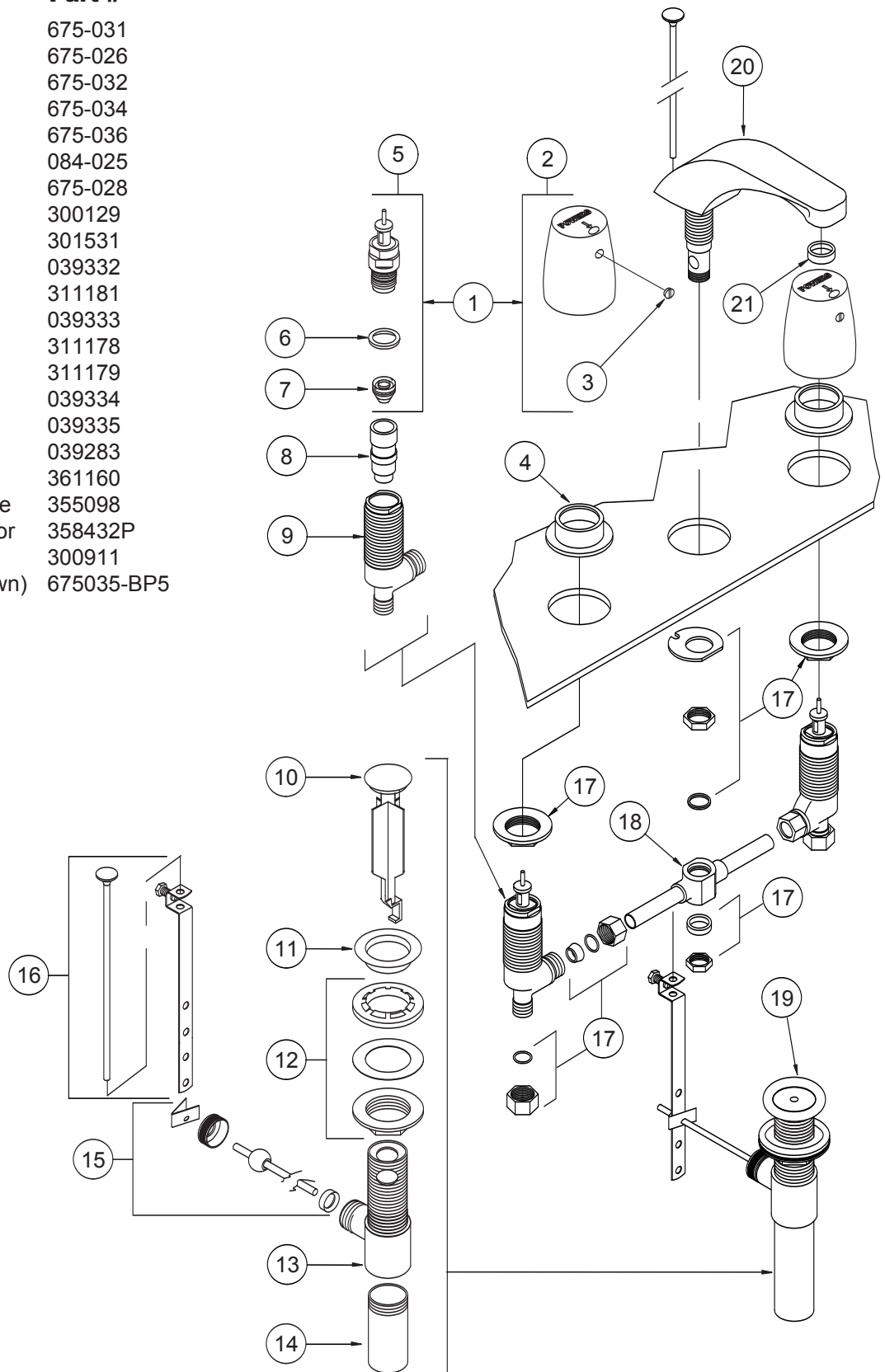
**Ordering Code:**

**P1505 - -**

<p><b>Outlet Options</b></p> <p>Aerator (0.5 GPM, 1.9 L/min) <b>A5</b> <input type="checkbox"/></p> <p>Laminar Flow Outlet (2.0 GPM, 7.6 L/min) <b>LF</b> <input type="checkbox"/></p> <p>Spray Face (2.0 GPM, 7.6 L/min) <b>SF</b> <input type="checkbox"/></p> <p>Vandal Resistant Aerator (0.5 GPM, 1.9 L/min) <b>V5</b> <input type="checkbox"/></p> <p>Vandal Resistant Aerator (2.0 GPM, 7.6 L/min) <b>VA</b> <input type="checkbox"/></p> <p>Vandal Resistant Laminar Flow (2.0 GPM, 7.6 L/min) <b>VF</b> <input type="checkbox"/></p>	<p><b>Additional Options</b></p> <p><b>CW</b> Cold Water Side Only <input type="checkbox"/></p> <p><b>LP</b> Less Pop-Up Assembly <input type="checkbox"/></p>
---	--

#	Description	Part #*
1	Cartridge/Handle Kit	675-031
2	Handle Kit	675-026
3	Handle Button Kit	675-032
4	Flange	675-034
5	Cartridge Kit	675-036
6	O-Ring	084-025
7	Diaphragm/Filter	675-028
8	Seat Extension	300129
9	Valve Body	301531
10	Stopper and Guide	039332
11	Collar	311181
12	Locknut and Gasket	039333
13	Waste Body	311178
14	Tailpiece	311179
15	Fulcrum Rod Kit	039334
16	Lift Rod Assy.	039335
17	Hardware Kit	039283
18	Tee Assembly	361160
19	Complete Pop-Up Waste	355098
20	Spout w/Shank & Aerator	358432P
21	Aerator	300911
22	Filter Wrench (Not Shown)	675035-BP5

\*BPx denotes the bulk pack quantity



# P1510 Lavatory Fitting, 8" With Pop-Up



**P1510 Specification:** Commercial grade 8" lavatory supply fitting complete with pop-up waste, "H" and "C" indexed acrylic handles, Dial-ese® cartridges, 2.0 GPM (7.6 L/min) aerator, and heavy duty cast brass spout. Resilient polished chrome plated finish on all exposed surfaces. Includes 1/2"-14 NPSM inlets.

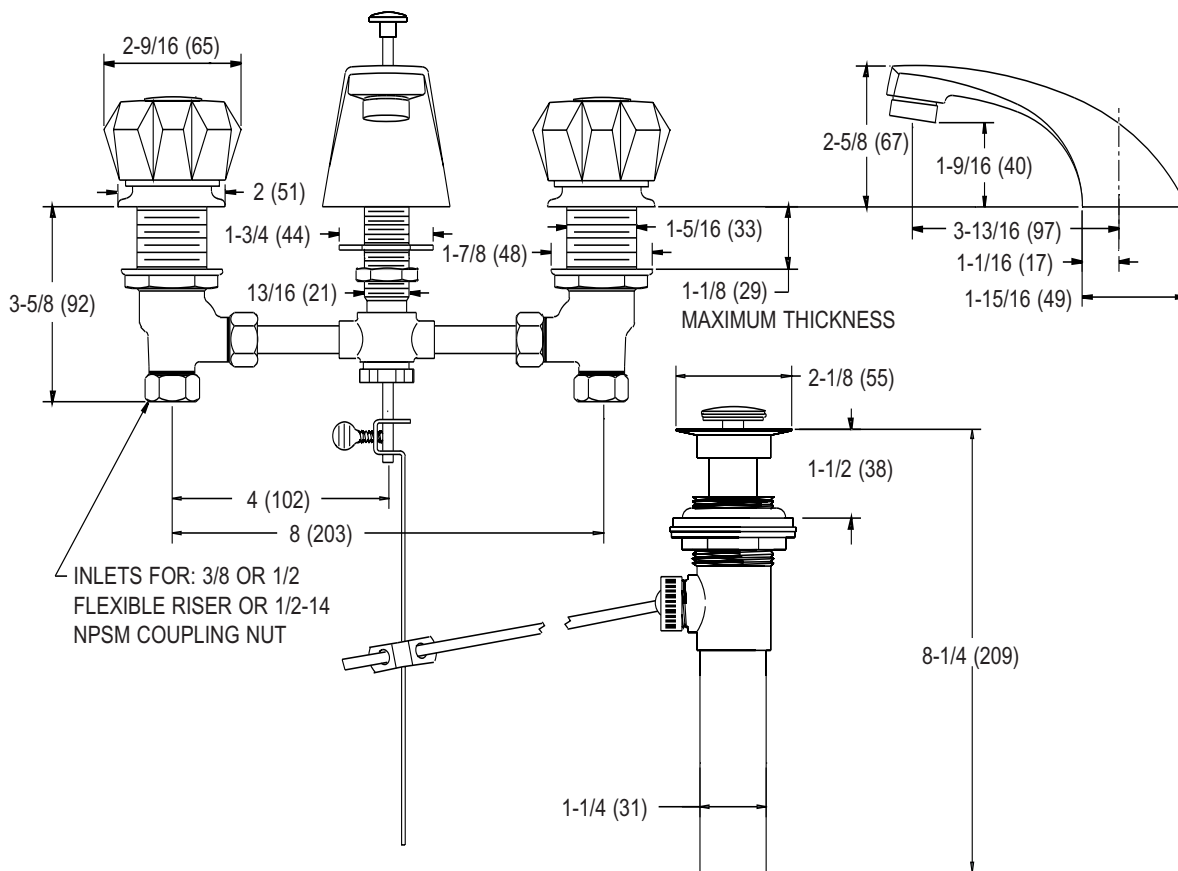


**Maximum Operating Pressure Rating** ..... 125 PSI (860 KPa)

**Maximum Operating Temperature Rating** ..... 65 C (150 F)

**Shipping Weight** ..... 6.7 Lbs (3.0 Kg)

**P1510 Model Shown**



Dimensions shown in inches (mm) are for reference only and are subject to change.

**Ordering Code:**

**P1510 - -**

**Outlet Options**

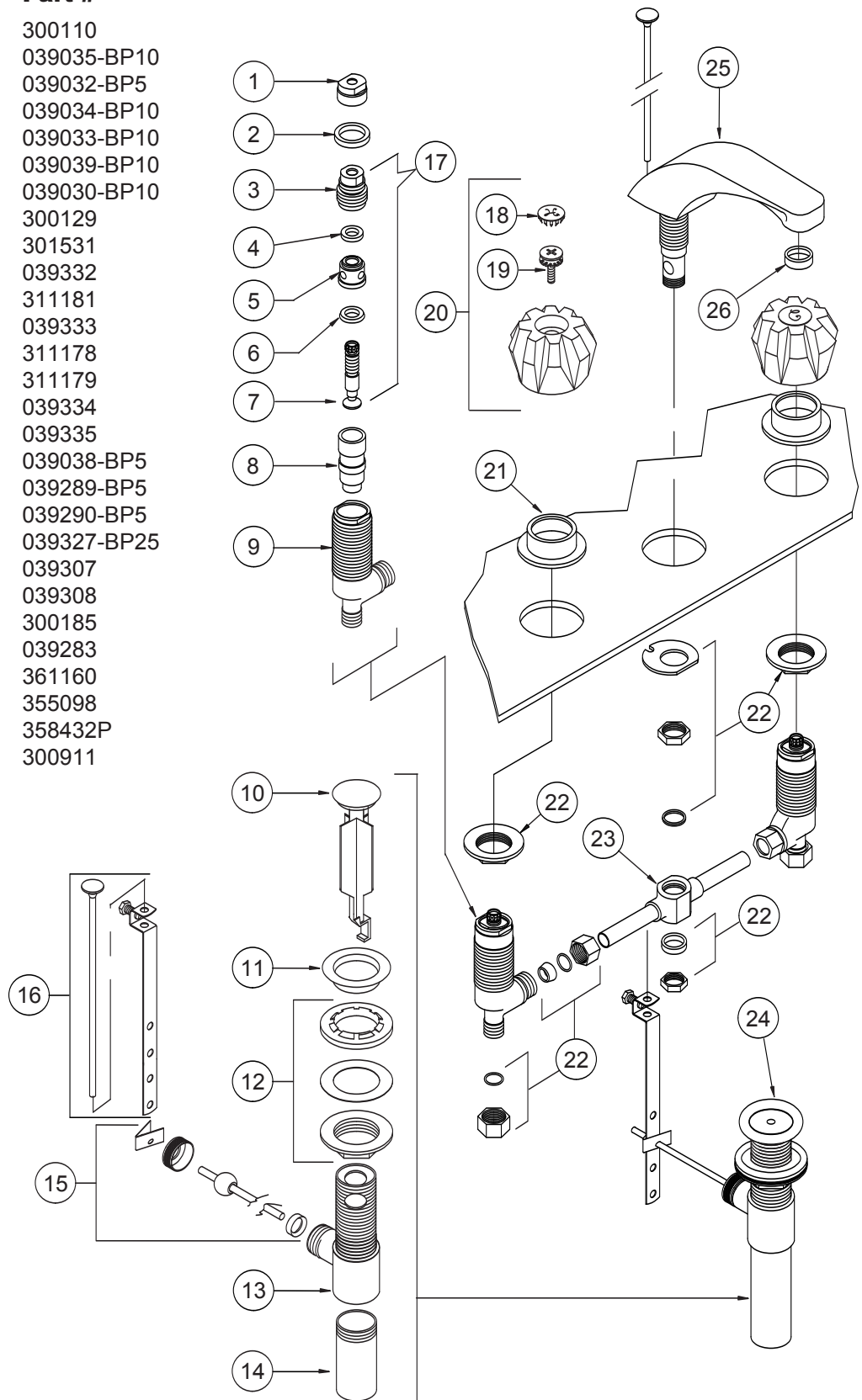
- Aerator (0.5 GPM, 1.9 L/min) **A5**
- Laminar Flow Outlet (2.0 GPM, 7.6 L/min) **LF**
- Spray Face (2.0 GPM, 7.6 L/min) **SF**
- Vandal Resistant Aerator (0.5 GPM, 1.9 L/min) **V5**
- Vandal Resistant Aerator (2.0 GPM, 7.6 L/min) **VA**
- Vandal Resistant Laminar Flow (2.0 GPM, 7.6 L/min) **VF**

**Additional Options**

- CW** Cold Water Side Only
- LP** Less Pop-Up Assembly
- VH** Vandal Resistant Handles
- QT** Quarter Turn Cartridges

#	Description	Part #*
1	Locknut	300110
2	O-Ring	039035-BP10
3	Centrepiece	039032-BP5
4	O-Ring	039034-BP10
5	Sleeve	039033-BP10
6	Seat Ring	039039-BP10
7	Stem	039030-BP10
8	Seat Extension	300129
9	Valve Body	301531
10	Stopper and Guide	039332
11	Collar	311181
12	Locknut and Gasket	039333
13	Waste Body	311178
14	Tailpiece	311179
15	Fulcrum Rod Kit	039334
16	Lift Rod Assy.	039335
17	Cartridge	039038-BP5
18	Button, Hot	039289-BP5
19	Button, Cold	039290-BP5
20	Screw	039327-BP25
21	Acrylic Handle Assy., Cold	039307
22	Acrylic Handle Assy., Hot	039308
23	Flange	300185
24	Hardware Kit	039283
25	Tee Assembly	361160
26	Complete Pop-Up Waste	355098
27	Spout w/ Shank & Aerator	358432P
28	Aerator	300911

\*BPx denotes the bulk pack quantity



# P1520 Lavatory Fitting, 8" With Pop-Up



**P1520 Specification:** Commercial grade 8" lavatory supply fitting complete with pop-up waste, "H" and "C" indexed metal hooded lever handles, Dial-ese® cartridges, 2.0 GPM (7.6 L/min) aerator, and heavy duty cast brass spout. Resilient polished chrome plated finish on all exposed surfaces. Includes 1/2"-14 Inlets.

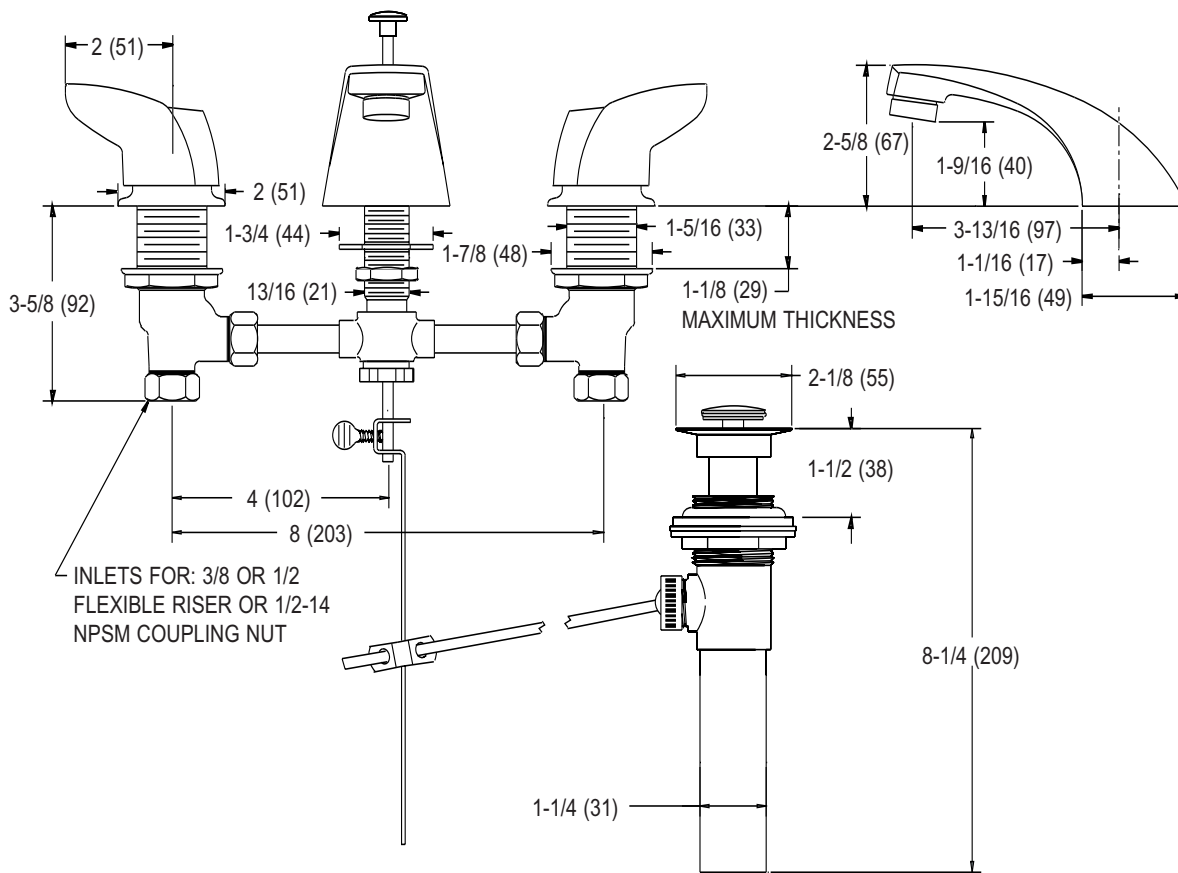


**Maximum Operating Pressure Rating** ..... 125 PSI (860 KPa)

**Maximum Operating Temperature Rating** ..... 65 C (150 F)

**Shipping Weight** ..... 6.7 Lbs (3.0 Kg)

**P1520 Model Shown**



Dimensions shown in inches (mm) are for reference only and are subject to change.

**Ordering Code:**

**P1520 - -**

**Outlet Options**

- Aerator (0.5 GPM, 1.9 L/min) **A5**
- Laminar Flow Outlet (2.0 GPM, 7.6 L/min) **LF**
- Spray Face (2.0 GPM, 7.6 L/min) **SF**
- Vandal Resistant Aerator (0.5 GPM, 1.9 L/min) **V5**
- Vandal Resistant Aerator (2.0 GPM, 7.6 L/min) **VA**
- Vandal Resistant Laminar Flow (2.0 GPM, 7.6 L/min) **VF**

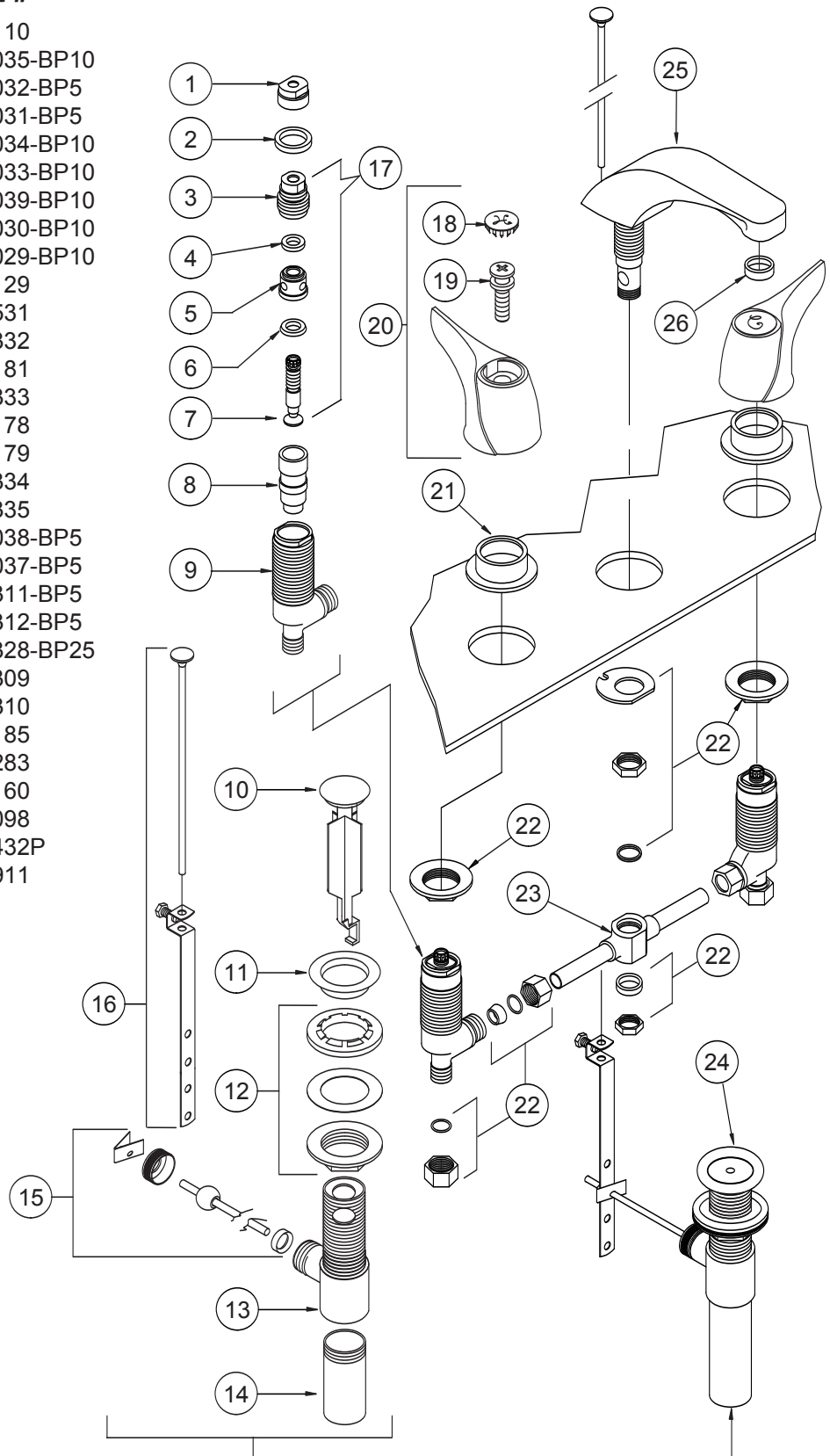
**Additional Options**

- CW** Cold Water Side Only
- LP** Less Pop-Up Assembly
- VH** Vandal Resistant Handles
- QT** Quarter Turn Cartridges



#	Description	Part #*
1	Locknut	300110
2	O-Ring	039035-BP10
3	LH Centrepiece	039032-BP5
	RH Centrepiece	039031-BP5
4	O-Ring	039034-BP10
5	Sleeve	039033-BP10
6	Seat Ring	039039-BP10
7	LH Stem	039030-BP10
	RH Stem	039029-BP10
8	Seat Extension	300129
9	Valve Body	301531
10	Stopper and Guide	039332
11	Collar	311181
12	Locknut and Gasket	039333
13	Waste Body	311178
14	Tailpiece	311179
15	Fulcrum Rod Kit	039334
16	Lift Rod Assy.	039335
17	LH Cartridge	039038-BP5
	RH Cartridge	039037-BP5
18	Button, Cold	039311-BP5
	Button, Hot	039312-BP5
19	Screw	039328-BP25
20	Lever Handle Assy., Cold	039309
	Lever Handle Assy., Hot	039310
21	Flange	300185
22	Hardware Kit	039283
23	Tee Assembly	361160
24	Complete Pop-Up Waste	355098
25	Spout w/Shank & Aerator	358432P
26	Aerator	300911

\*BPx denotes the bulk pack quantity



# P1530 Lavatory Fitting, 8" With Pop-Up



**P1530 Specification:** Commercial grade 8" lavatory supply fitting complete with pop-up waste, colour indexed 3" (76 mm) metal blade handles, Dial-ese® cartridges, 2.0 GPM (7.6 L/min) aerator, and heavy duty cast brass spout, Resilient polished chrome plated finish on all exposed surfaces. Includes 1/2"-14 NPSM inlets.

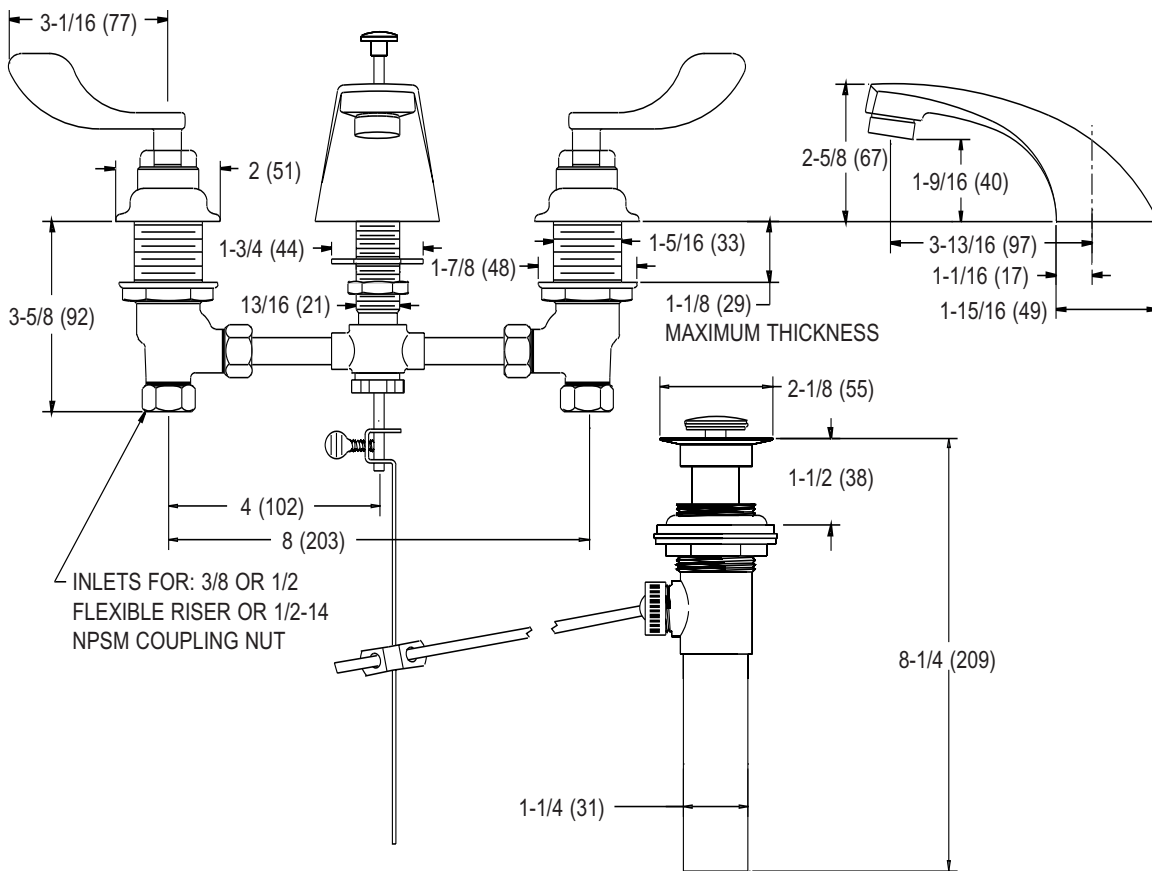


**Maximum Operating Pressure Rating** ..... 125 PSI (860 KPa)

**Maximum Operating Temperature Rating** ..... 65 C (150 F)

**Shipping Weight** ..... 6.7 Lbs (3.0 Kg)

**P1530 Model Shown**



Dimensions shown in inches (mm) are for reference only and are subject to change.

**Ordering Code:**

**P1530 - -**

**Outlet Options**

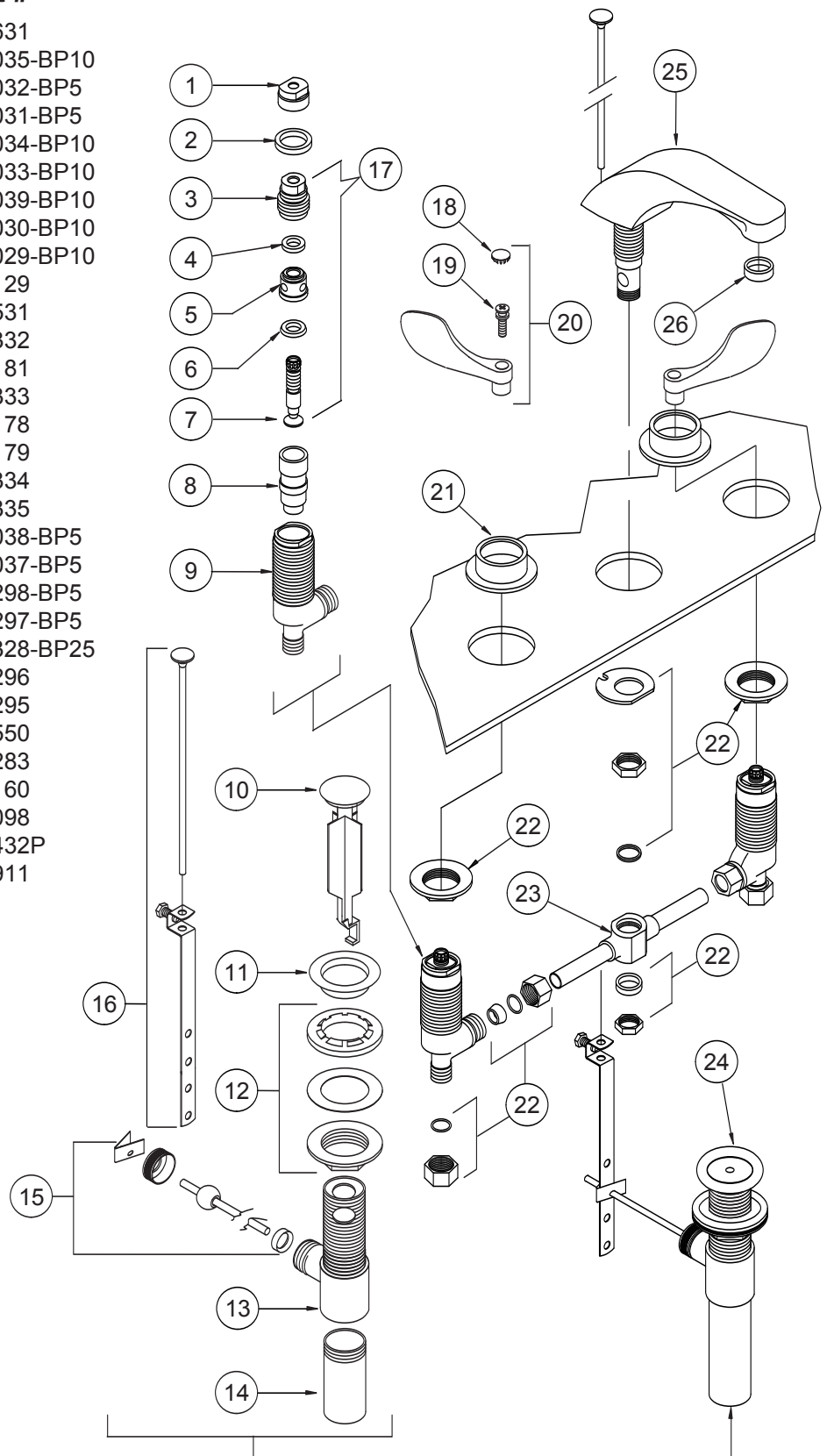
- Aerator (0.5 GPM, 1.9 L/min) **A5**
- Laminar Flow Outlet (2.0 GPM, 7.6 L/min) **LF**
- Spray Face (2.0 GPM, 7.6 L/min) **SF**
- Vandal Resistant Aerator (0.5 GPM, 1.9 L/min) **V5**
- Vandal Resistant Aerator (2.0 GPM, 7.6 L/min) **VA**
- Vandal Resistant Laminar Flow (2.0 GPM, 7.6 L/min) **VF**

**Additional Options**

- CW** Cold Water Side Only
- LP** Less Pop-Up Assembly
- VH** Vandal Resistant Handles
- QT** Quarter Turn Cartridges

#	Description	Part #*
1	Locknut	300631
2	O-Ring	039035-BP10
3	LH Centrepiece	039032-BP5
	RH Centrepiece	039031-BP5
4	O-Ring	039034-BP10
5	Sleeve	039033-BP10
6	Seat Ring	039039-BP10
7	LH Stem	039030-BP10
	RH Stem	039029-BP10
8	Seat Extension	300129
9	Valve Body	301531
10	Stopper and Guide	039332
11	Collar	311181
12	Locknut and Gasket	039333
13	Waste Body	311178
14	Tailpiece	311179
15	Fulcrum Rod Kit	039334
16	Lift Rod Assy.	039335
17	LH Cartridge	039038-BP5
	RH Cartridge	039037-BP5
18	Button, Blue	039298-BP5
	Button, Red	039297-BP5
19	Screw	039328-BP25
20	3" Blade Handle Assy., Blue	039296
	3" Blade Handle Assy., Red	039295
21	Flange	300550
22	Hardware Kit	039283
23	Tee Assembly	361160
24	Complete Pop-Up Waste	355098
25	Spout w/Shank & Aerator	358432P
26	Aerator	300911

\*BPx denotes the bulk pack quantity



# P1540 Lavatory Fitting, 8" With Pop-Up



**P1540 Specification:** Commercial grade 8" lavatory supply fitting complete with pop-up waste, colour indexed 4-1/2" (114 mm) metal blade handles, Dial-ese® cartridges, 2.0 GPM (7.6 L/min) aerator, and heavy duty cast brass spout. Resilient polished chrome plated finish on all exposed surfaces.

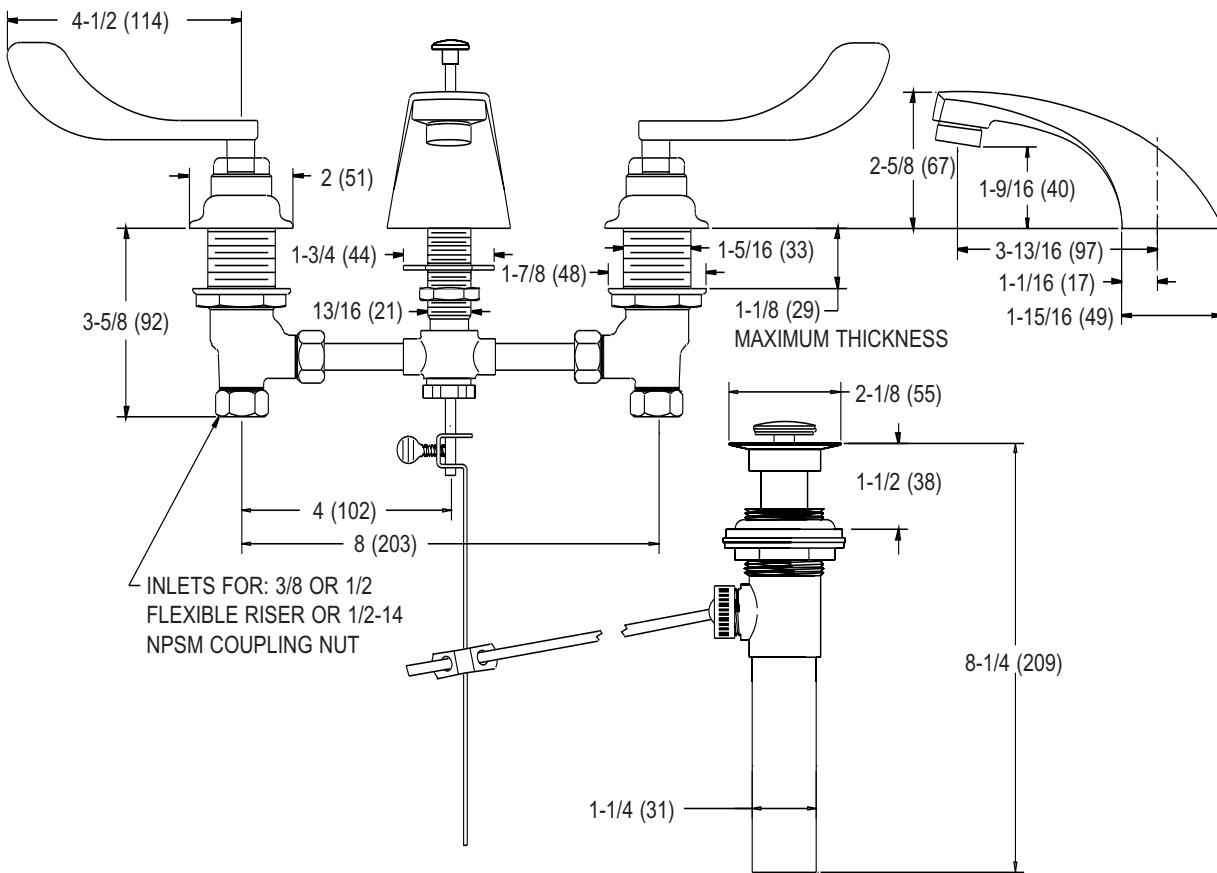


**Maximum Operating Pressure Rating** ..... 125 PSI (860 KPa)

**Maximum Operating Temperature Rating** ..... 65 C (150 F)

**Shipping Weight** ..... 6.7 Lbs (3.0 Kg)

**P1540 Model Shown**



Dimensions shown in inches (mm) are for reference only and are subject to change.

## Ordering Code:

**P1540 - -**

### Outlet Options

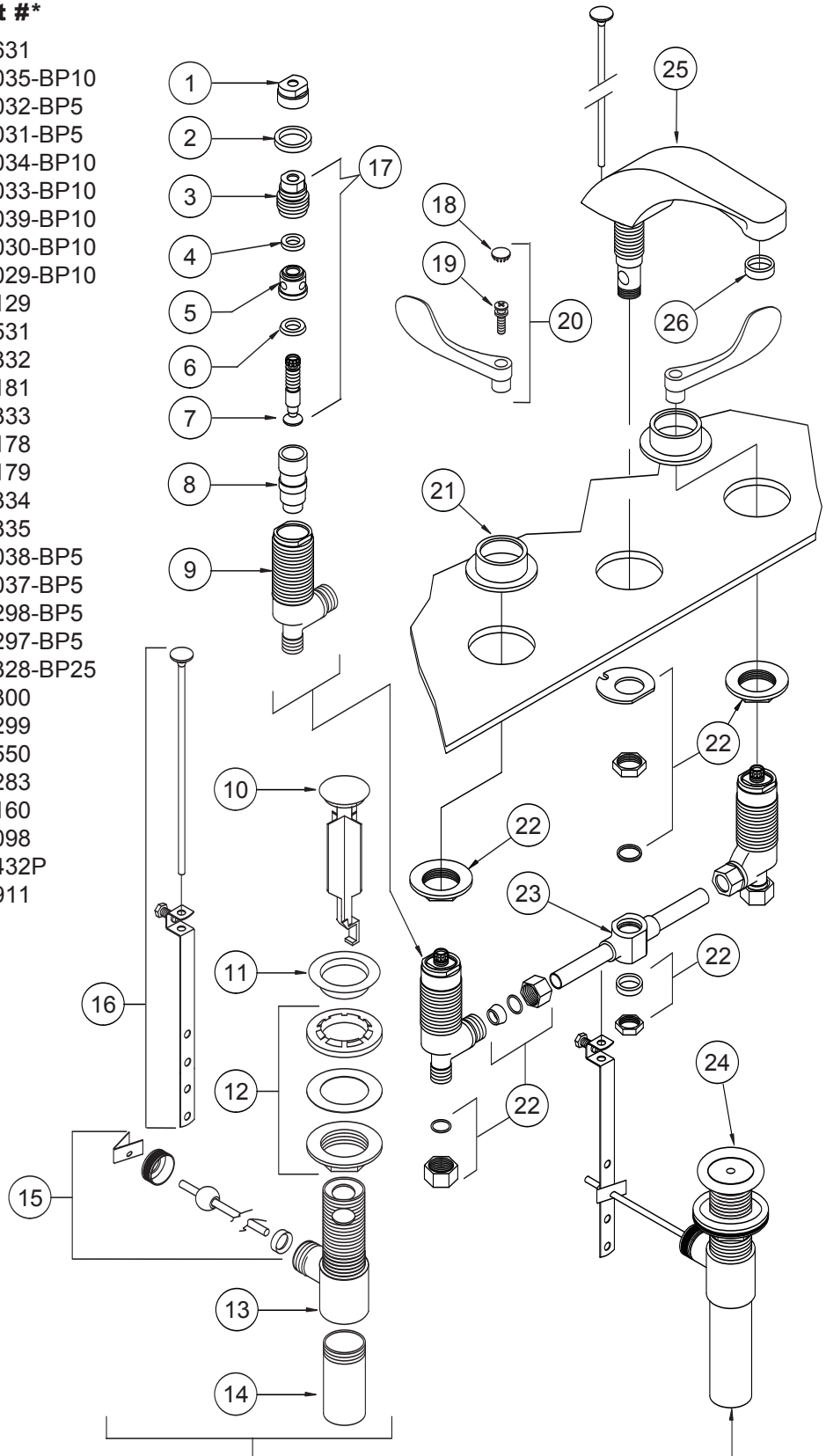
- Aerator (0.5 GPM, 1.9 L/min) **A5**
- Laminar Flow Outlet (2.0 GPM, 7.6 L/min) **LF**
- Spray Face (2.0 GPM, 7.6 L/min) **SF**
- Vandal Resistant Aerator (0.5 GPM, 1.9 L/min) **V5**
- Vandal Resistant Aerator (2.0 GPM, 7.6 L/min) **VA**
- Vandal Resistant Laminar Flow (2.0 GPM, 7.6 L/min) **VF**

### Additional Options

- CW** Cold Water Side Only
- LP** Less Pop-Up Assembly
- VH** Vandal Resistant Handles
- QT** Quarter Turn Cartridges

#	Description	Part #*
1	Locknut	300631
2	O-Ring	039035-BP10
3	LH Centrepiece	039032-BP5
	RH Centrepiece	039031-BP5
4	O-Ring	039034-BP10
5	Sleeve	039033-BP10
6	Seat Ring	039039-BP10
7	LH Stem	039030-BP10
	RH Stem	039029-BP10
8	Seat Extension	300129
9	Valve Body	301531
10	Stopper and Guide	039332
11	Collar	311181
12	Locknut and Gasket	039333
13	Waste Body	311178
14	Tailpiece	311179
15	Fulcrum Rod Kit	039334
16	Lift Rod Assy.	039335
17	LH Cartridge	039038-BP5
	RH Cartridge	039037-BP5
18	Button, Blue	039298-BP5
	Button, Red	039297-BP5
19	Screw	039328-BP25
20	4-1/2" Blade Handle Assy., Blue	039300
	4-1/2" Blade Handle Assy., Red	039299
21	Flange	300550
22	Hardware Kit	039283
23	Tee Assembly	361160
24	Complete Pop-Up Waste	355098
25	Spout w/Shank & Aerator	358432P
26	Aerator	300911

\*BPx denotes the bulk pack quantity



# P1550 Lavatory Fitting, 8" With Pop-Up



**P1550 Specification:** Commercial grade 8" lavatory supply fitting complete with pop-up waste, "H" and "C" indexed 5-rib metal handles, Dial-ese® cartridges, 2.0 GPM (7.6 L/min) aerator, and heavy duty cast brass spout. Resilient polished chrome plated finish on all exposed surfaces. Includes 1/2"-14 NPSM threaded inlets.

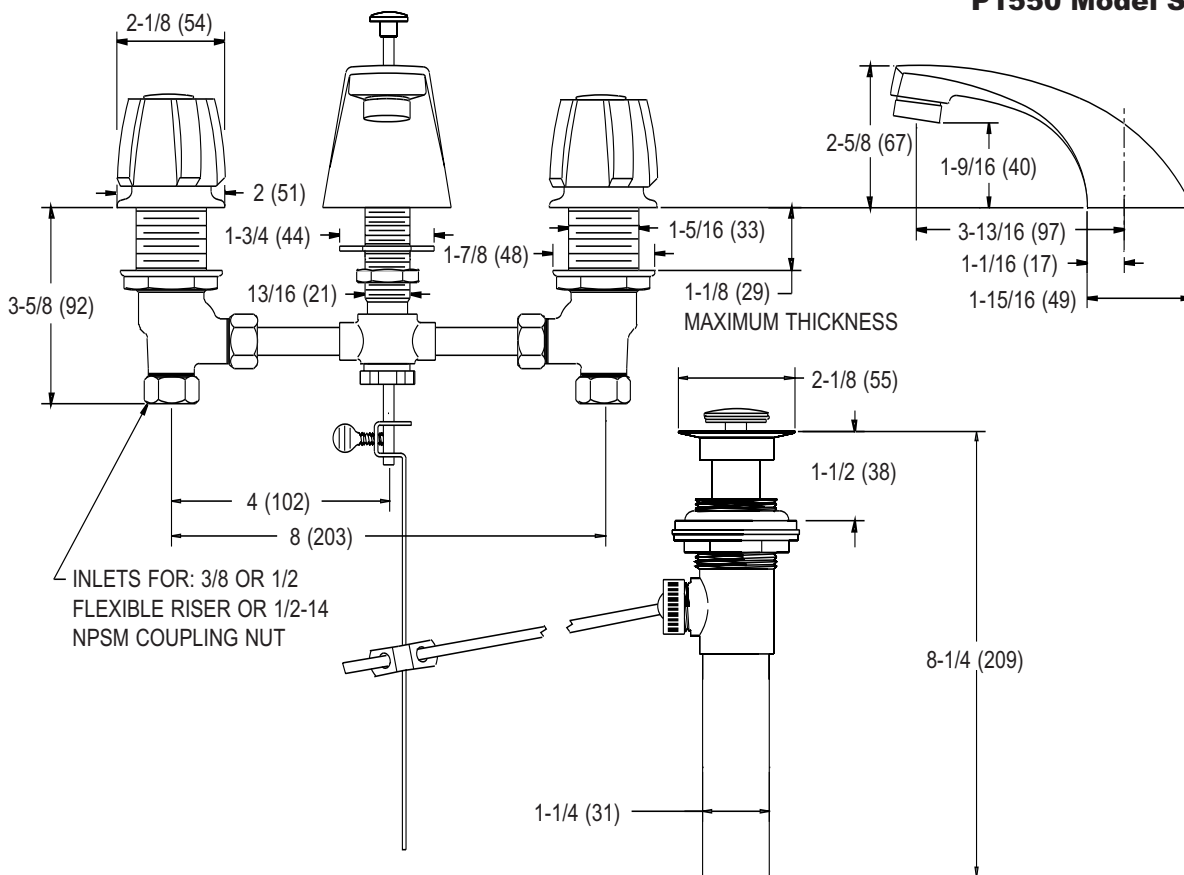
**Maximum Operating Pressure Rating** ..... 125 PSI (860 KPa)

**Maximum Operating Temperature Rating** ..... 65 C (150 F)

**Shipping Weight** ..... 6.7 Lbs (3.0 Kg)



**P1550 Model Shown**



Dimensions shown in inches (mm) are for reference only and are subject to change.

**Ordering Code:**

**P1550 - -**

**Outlet Options**

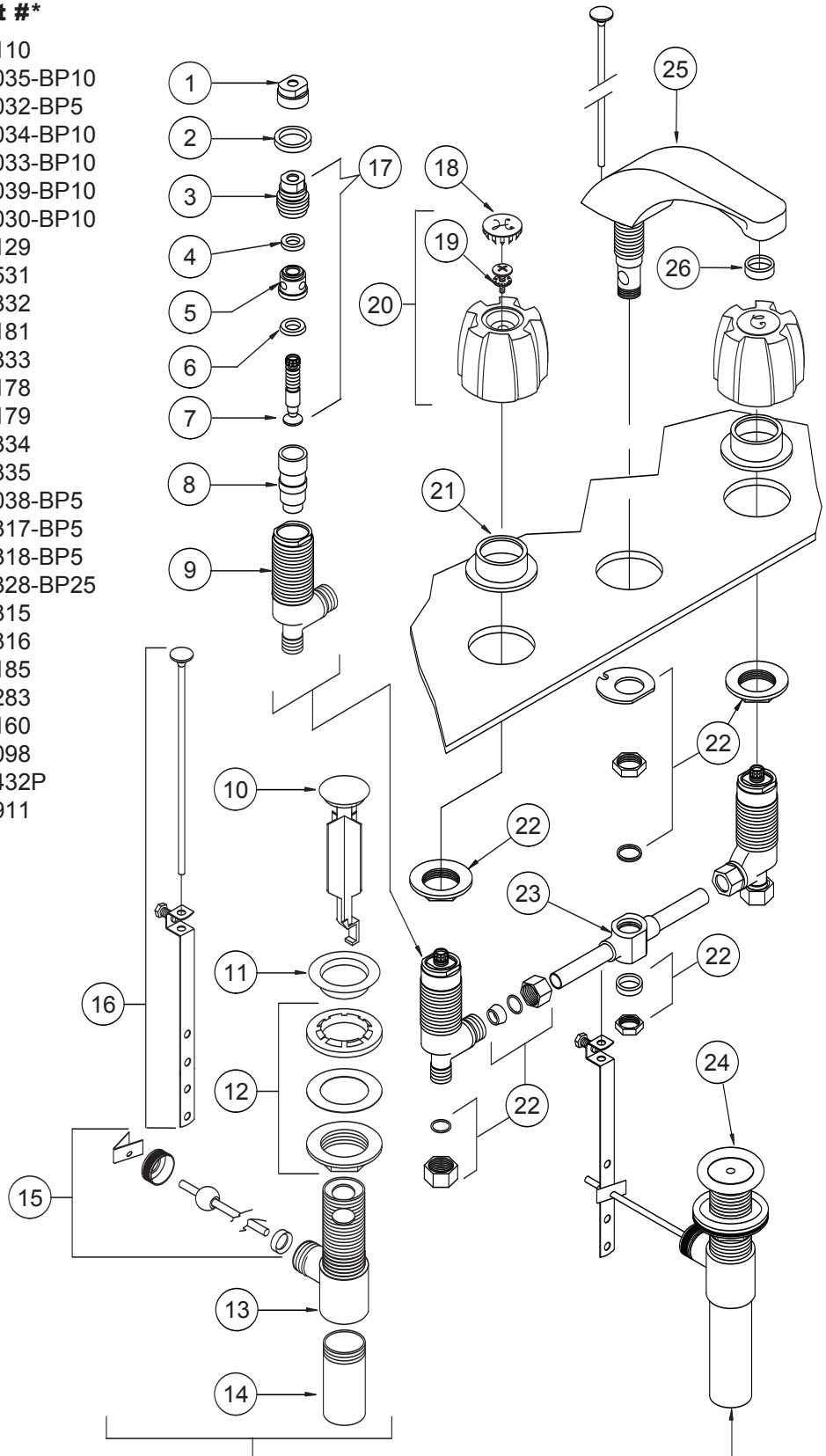
- Aerator (0.5 GPM, 1.9 L/min) **A5**
- Laminar Flow Outlet (2.0 GPM, 7.6 L/min) **LF**
- Spray Face (2.0 GPM, 7.6 L/min) **SF**
- Vandal Resistant Aerator (0.5 GPM, 1.9 L/min) **V5**
- Vandal Resistant Aerator (2.0 GPM, 7.6 L/min) **VA**
- Vandal Resistant Laminar Flow (2.0 GPM, 7.6 L/min) **VF**

**Additional Options**

- CW** Cold Water Side Only
- LP** Less Pop-Up Assembly
- VH** Vandal Resistant Handles
- QT** Quarter Turn Cartridges

#	Description	Part #*
1	Locknut	300110
2	O-Ring	039035-BP10
3	Centrepiece	039032-BP5
4	O-Ring	039034-BP10
5	Sleeve	039033-BP10
6	Seat Ring	039039-BP10
7	Stem	039030-BP10
8	Seat Extension	300129
9	Valve Body	301531
10	Stopper and Guide	039332
11	Collar	311181
12	Locknut and Gasket	039333
13	Waste Body	311178
14	Tailpiece	311179
15	Fulcrum Rod Kit	039334
16	Lift Rod Assy.	039335
17	Cartridge	039038-BP5
18	Button, Cold	039317-BP5
	Button, Hot	039318-BP5
19	Screw	039328-BP25
20	5-Rib Handle Assy., Cold	039315
	5-Rib Handle Assy., Hot	039316
21	Flange	300185
22	Hardware Kit	039283
23	Tee Assembly	361160
24	Complete Pop-Up Waste	355098
25	Spout w/Shank & Aerator	358432P
26	Aerator	300911

\*BPx denotes the bulk pack quantity



# P1560 Lavatory Fitting, 8" With Pop-Up



**P1560 Specification:** Commercial grade 8" lavatory supply fitting complete with pop-up waste, colour indexed 6" (152 mm) metal blade handles, Dial-ese® cartridges, 2.0 GPM (7.6 L/min) aerator, and heavy duty cast brass spout. Resilient polished chrome plated finish on all exposed surfaces. Includes 1/2"-14 NPSM inlets.

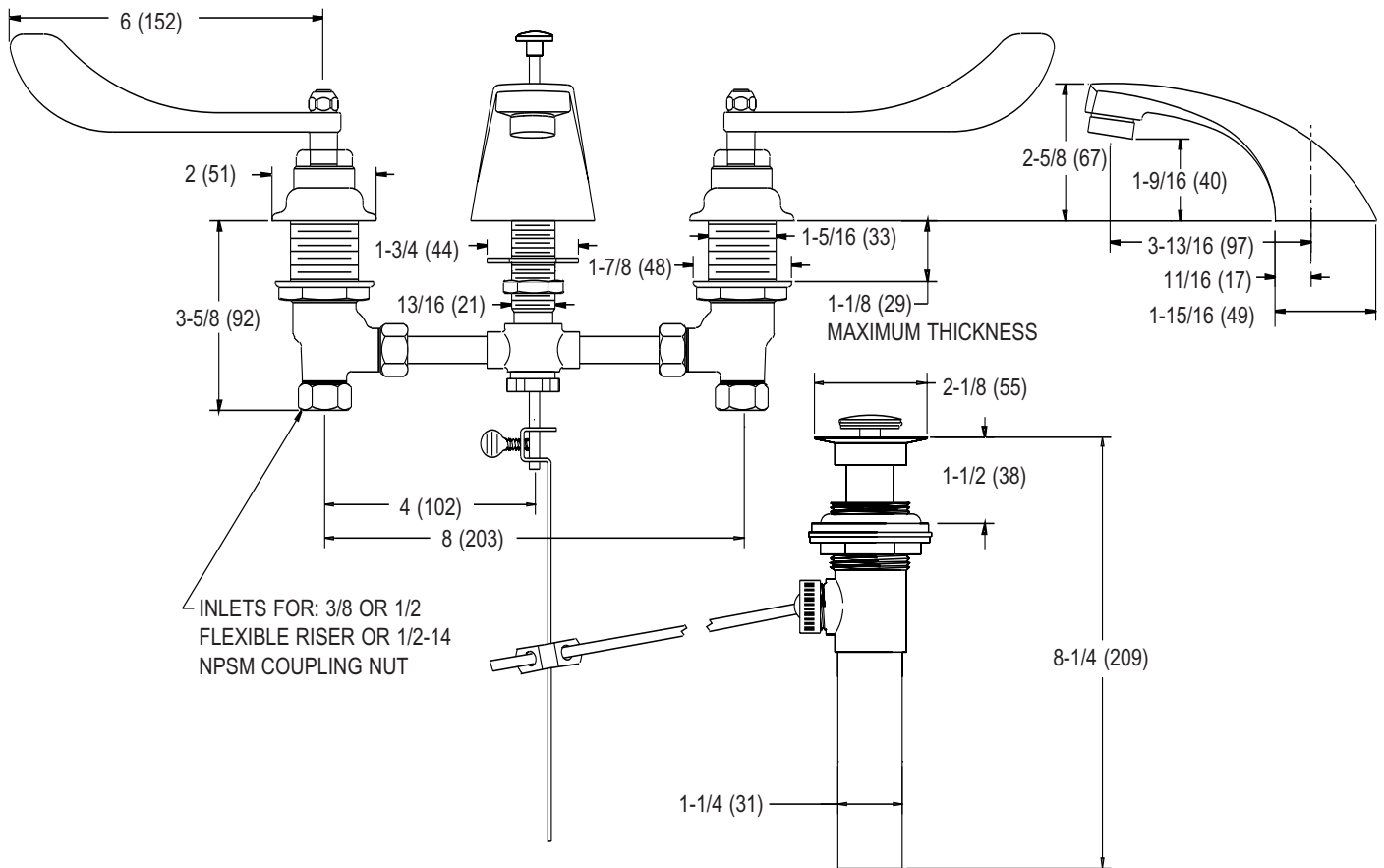


**Maximum Operating Pressure Rating** ..... 125 PSI (860 KPa)

**Maximum Operating Temperature Rating** ..... 65 C (150 F)

**Shipping Weight** ..... 6.7 Lbs (3.0 Kg)

**P1560 Model Shown**



Dimensions shown in inches (mm) are for reference only and are subject to change.

**Ordering Code:**

**P1560 - -**

**Outlet Options**

- Aerator (0.5 GPM, 1.9 L/min) **A5**
- Laminar Flow Outlet (2.0 GPM, 7.6 L/min) **LF**
- Spray Face (2.0 GPM, 7.6 L/min) **SF**
- Vandal Resistant Aerator (0.5 GPM, 1.9 L/min) **V5**
- Vandal Resistant Aerator (2.0 GPM, 7.6 L/min) **VA**
- Vandal Resistant Laminar Flow (2.0 GPM, 7.6 L/min) **VF**

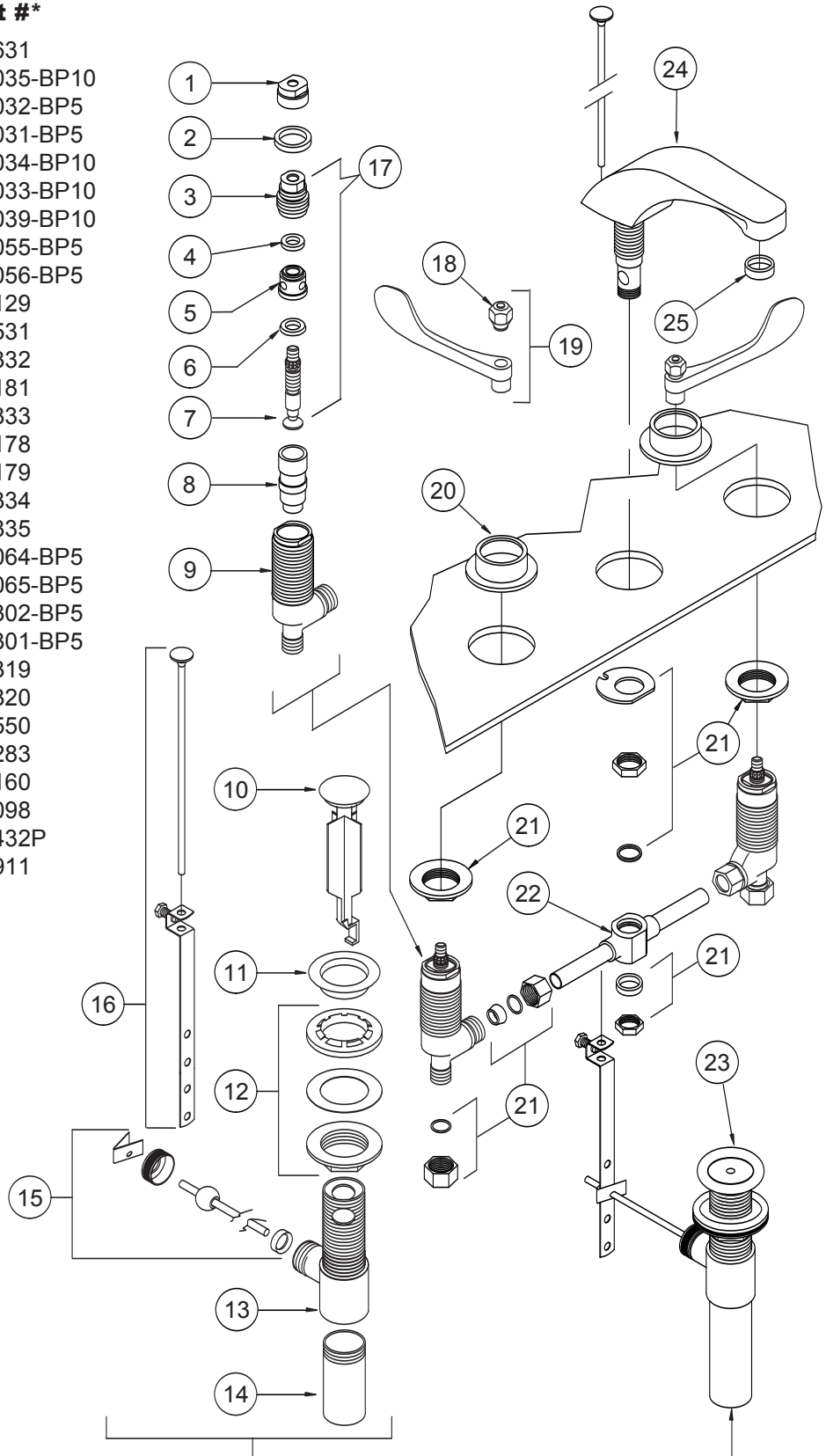
**Additional Options**

- CW** Cold Water Side Only
- LP** Less Pop-Up Assembly
- VH** Vandal Resistant Handles
- QT** Quarter Turn Cartridges



#	Description	Part #*
1	Locknut	300631
2	O-Ring	039035-BP10
3	LH Centrepiece	039032-BP5
	RH Centrepiece	039031-BP5
4	O-Ring	039034-BP10
5	Sleeve	039033-BP10
6	Seat Ring	039039-BP10
7	LH Stem	039055-BP5
	RH Stem	039056-BP5
8	Seat Extension	300129
9	Valve Body	301531
10	Stopper and Guide	039332
11	Collar	311181
12	Locknut and Gasket	039333
13	Waste Body	311178
14	Tailpiece	311179
15	Fulcrum Rod Kit	039334
16	Lift Rod Assy.	039335
17	LH Cartridge	039064-BP5
	RH Cartridge	039065-BP5
18	Cap Nut, Blue	039302-BP5
	Cap Nut, Red	039301-BP5
19	6" Blade Handle Assy., Blue	039319
	6" Blade Handle Assy., Red	039320
20	Flange	300550
21	Hardware Kit	039283
22	Tee Assembly	361160
23	Complete Pop-Up Waste	355098
24	Spout w/Shank & Aerator	358432P
25	Aerator	300911

\*BPx denotes the bulk pack quantity



# P1570 Lavatory Fitting, 8" With Pop-Up



**P1570 Specification:** Commercial grade 8" lavatory supply fitting complete with pop-up waste, colour indexed metal cross handles, Dial-ese® cartridges, 2.0 GPM (7.6 L/min) aerator, and heavy duty cast brass spout. Resilient polished chrome plated finish on all exposed surfaces. Includes 1/2"-14 NPSM threaded inlets.

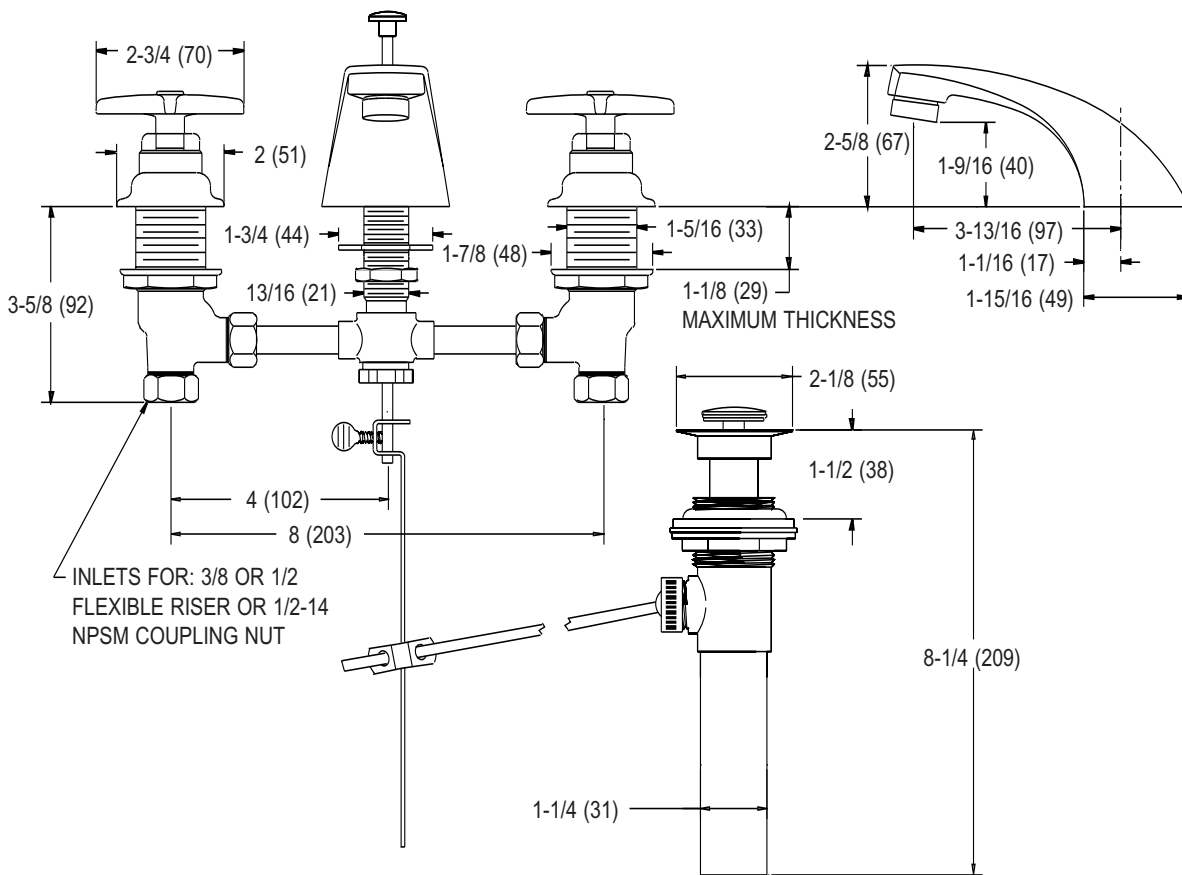
**Maximum Operating Pressure Rating** ..... 125 PSI (860 KPa)

**Maximum Operating Temperature Rating** ..... 65 C (150 F)

**Shipping Weight** ..... 6.7 Lbs (3.0 Kg)



**P1570 Model Shown**



Dimensions shown in inches (mm) are for reference only and are subject to change.

**Ordering Code:**

**P1570 - -**

**Outlet Options**

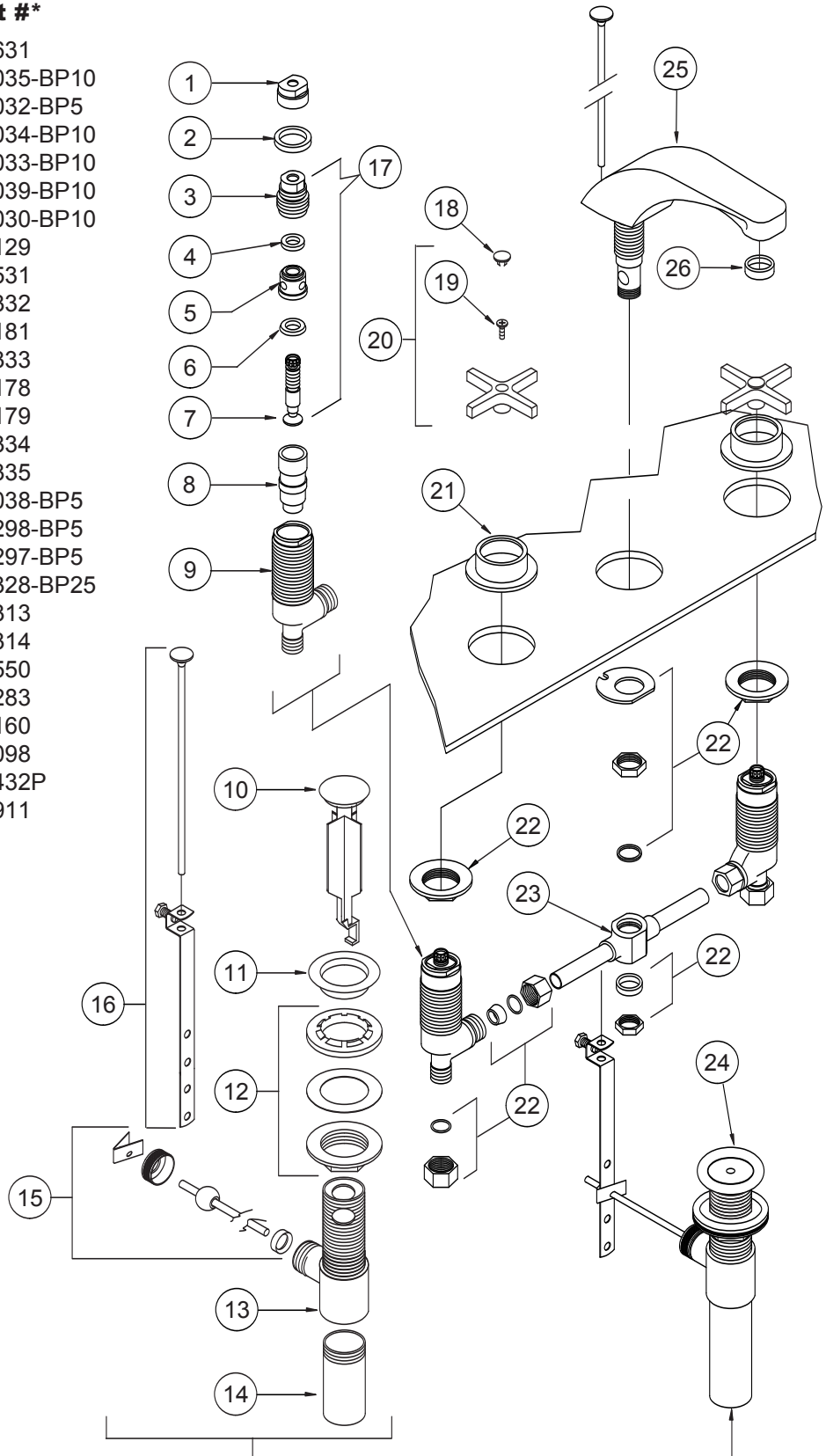
- Aerator (0.5 GPM, 1.9 L/min) **A5**
- Laminar Flow Outlet (2.0 GPM, 7.6 L/min) **LF**
- Spray Face (2.0 GPM, 7.6 L/min) **SF**
- Vandal Resistant Aerator (0.5 GPM, 1.9 L/min) **V5**
- Vandal Resistant Aerator (2.0 GPM, 7.6 L/min) **VA**
- Vandal Resistant Laminar Flow (2.0 GPM, 7.6 L/min) **VF**

**Additional Options**

- CW** Cold Water Side Only
- LP** Less Pop-Up Assembly
- VH** Vandal Resistant Handles
- QT** Quarter Turn Cartridges

#	Description	Part #*
1	Locknut	300631
2	O-Ring	039035-BP10
3	Centrepiece	039032-BP5
4	O-Ring	039034-BP10
5	Sleeve	039033-BP10
6	Seat Ring	039039-BP10
7	Stem	039030-BP10
8	Seat Extension	300129
9	Valve Body	301531
10	Stopper and Guide	039332
11	Collar	311181
12	Locknut and Gasket	039333
13	Waste Body	311178
14	Tailpiece	311179
15	Fulcrum Rod Kit	039334
16	Lift Rod Assy.	039335
17	Cartridge	039038-BP5
18	Button, Blue	039298-BP5
	Button, Red	039297-BP5
19	Screw	039328-BP25
20	Cross Handle Assy., Blue	039313
	Cross Handle Assy., Red	039314
21	Flange	300550
22	Hardware Kit	039283
23	Tee Assembly	361160
24	Complete Pop-Up Waste	355098
25	Spout w/Shank & Aerator	358432P
26	Aerator	300911

\*BPx denotes the bulk pack quantity



# P1605 Lavatory Fitting, 8" W/ Gooseneck



**P1605 Specification:** Commercial grade 8" lavatory supply fitting featuring rigid/swing gooseneck spout, colour indexed vandal resistant metal handles, metering cartridges and a 2.0 GPM (7.6 L/min) aerator. Includes a resilient polished chrome plated finish on all exposed surfaces. Time adjustable from 1 to 20 seconds.

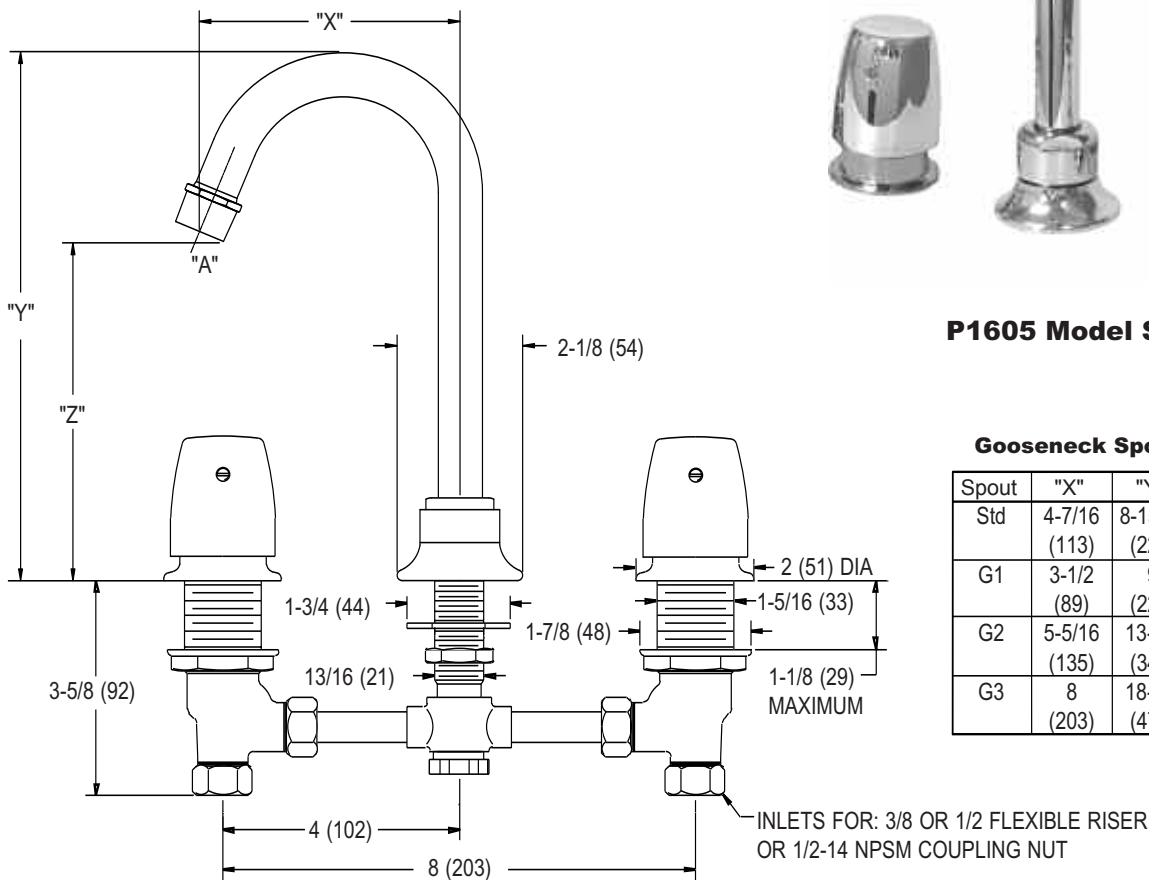
**Maximum Operating Pressure Rating** ..... 125 PSI (860 KPa)

**Maximum Operating Temperature Rating** ..... 65 C (150 F)

**Shipping Weight** ..... 5.5 Lbs (2.5 Kg)



**P1605 Model Shown**



**Gooseneck Spout Dimensions**

Spout	"X"	"Y"	"Z"	"A"
Std	4-7/16 (113)	8-15/16 (228)	5-3/4 (146)	22 Degree
G1	3-1/2 (89)	9 (229)	6 (152)	15 Degree
G2	5-5/16 (135)	13-1/2 (343)	9 (229)	10 Degree
G3	8 (203)	18-3/4 (478)	13-1/2 (343)	0 Degree



Dimensions shown in inches (mm) are for reference only and are subject to change.

**Ordering Code:**

**P1605 -**

**Outlet Options**

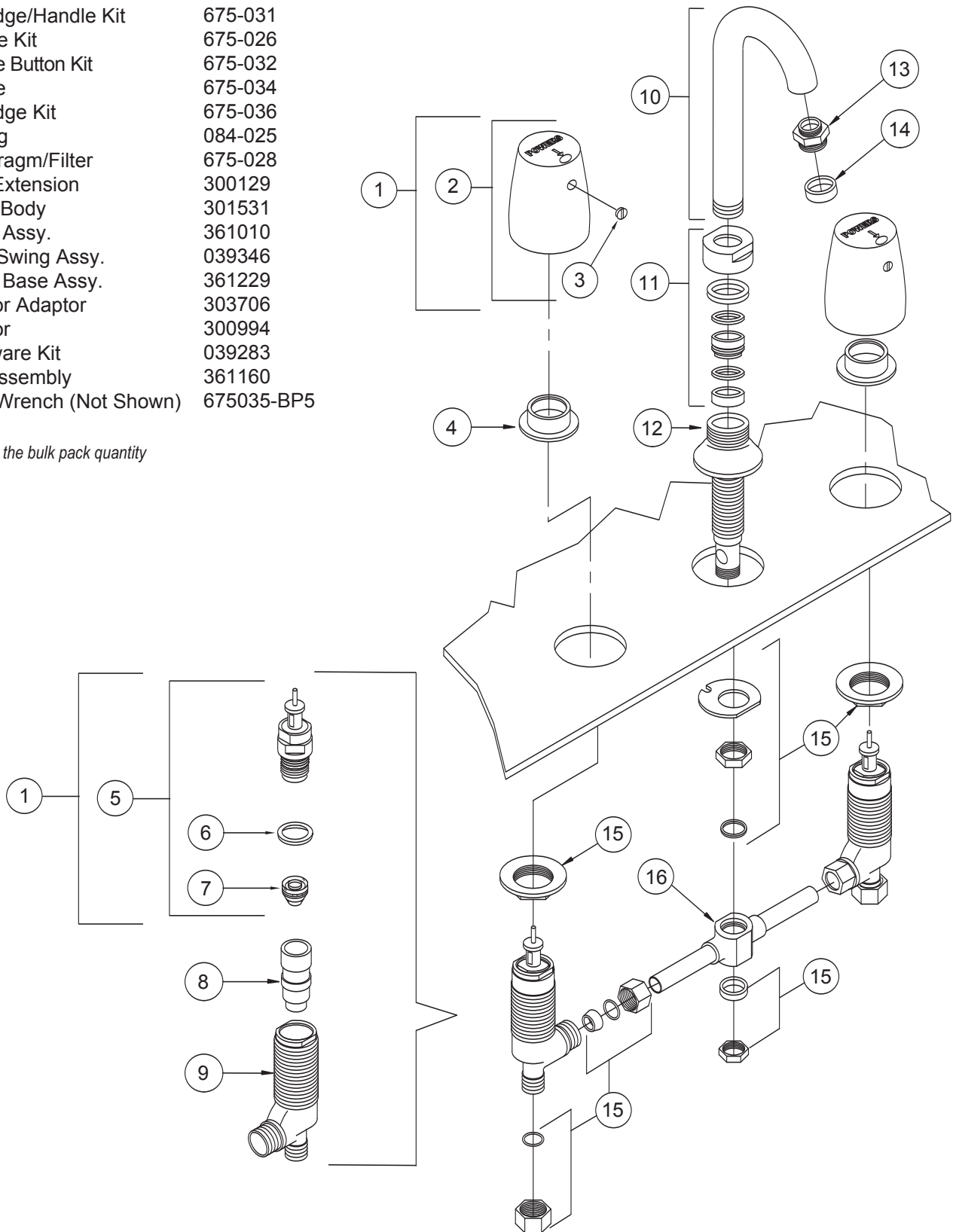
- Aerator (0.5 GPM, 1.9 L/min) **A5**
- Laminar Flow Outlet (2.0 GPM, 7.6 L/min) **LF**
- Spray Face (2.0 GPM, 7.6 L/min) **SF**
- Vandal Resistant Aerator (0.5 GPM, 1.9 L/min) **V5**
- Vandal Resistant Aerator (2.0 GPM, 7.6 L/min) **VA**
- Vandal Resistant Laminar Flow (2.0 GPM, 7.6 L/min) **VF**

**Additional Options**

- CW** Cold Water Side Only
- G1** Gooseneck Spout 3-1/2" (89 mm)
- G2** Gooseneck Spout 5-1/4" (133 mm)
- G3** Gooseneck Spout 8" (203 mm)
- GD** 1-1/4" Grid Drain (P3902)
- OG** 1-1/4" Offset Grid Drain (P3906)

#	Description	Part #*
1	Cartridge/Handle Kit	675-031
2	Handle Kit	675-026
3	Handle Button Kit	675-032
4	Flange	675-034
5	Cartridge Kit	675-036
6	O-Ring	084-025
7	Diaphragm/Filter	675-028
8	Seat Extension	300129
9	Valve Body	301531
10	Spout Assy.	361010
11	Rigid/Swing Assy.	039346
12	Spout Base Assy.	361229
13	Aerator Adaptor	303706
14	Aerator	300994
15	Hardware Kit	039283
16	Tee Assembly	361160
17	Filter Wrench (Not Shown)	675035-BP5

\*BPx denotes the bulk pack quantity



# P1610 Lavatory Fitting, 8" W/ Gooseneck



**P1610 Specification:** Commercial grade 8" lavatory supply fitting featuring rigid/swing gooseneck spout, "H" and "C" indexed acrylic handles, Dial-ese® cartridges and a 2.0 GPM (7.6 L/min) aerator. Includes a resilient polished chrome plated finish on all exposed surfaces and 1/2"-14 NPSM threaded inlets.

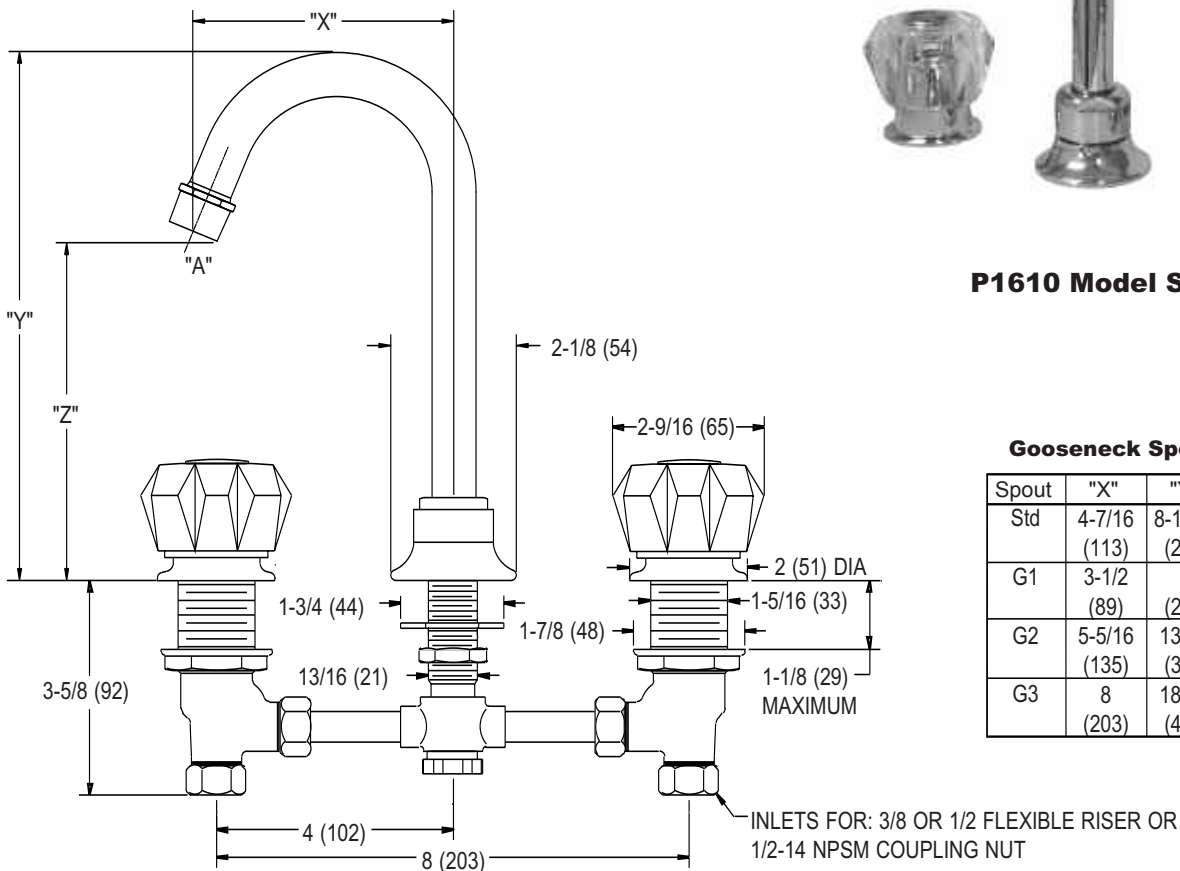
**Maximum Operating Pressure Rating** ..... 125 PSI (860 KPa)

**Maximum Operating Temperature Rating** ..... 65 C (150 F)

**Shipping Weight** ..... 5.5 Lbs (2.5 Kg)



**P1610 Model Shown**



**Gooseneck Spout Dimensions**

Spout	"X"	"Y"	"Z"	"A"
Std	4-7/16 (113)	8-15/16 (228)	5-3/4 (146)	22 Degree
G1	3-1/2 (89)	9 (229)	6 (152)	15 Degree
G2	5-5/16 (135)	13-1/2 (343)	9 (229)	10 Degree
G3	8 (203)	18-3/4 (478)	13-1/2 (343)	0 Degree

Dimensions shown in inches (mm) are for reference only and are subject to change.



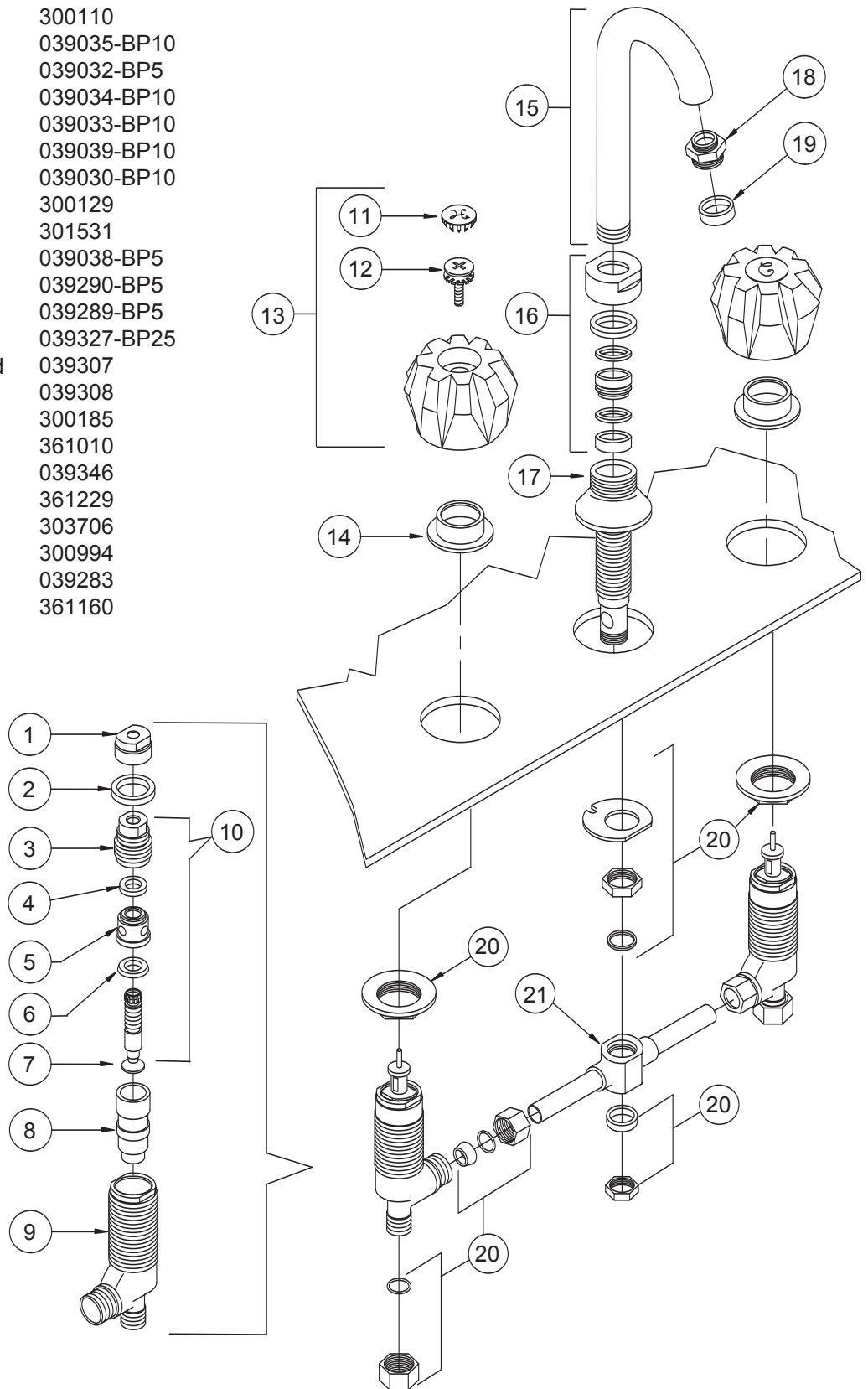
**Ordering Code:**

**P1610 -**

- |  |           |                          |   |
|--|-----------|--------------------------|---|
| Aerator (0.5 GPM, 1.9 L/min)                       | <b>A5</b> | <input type="checkbox"/> | <b>CW</b> Cold Water Side Only            |
| Laminar Flow Outlet (2.0 GPM, 7.6 L/min)           | <b>LF</b> | <input type="checkbox"/> | <b>SC</b> Self Closing Cartridges         |
| Spray Face (2.0 GPM, 7.6 L/min)                    | <b>SF</b> | <input type="checkbox"/> | <b>VH</b> Vandal Resistant Handles        |
| Vandal Resistant Aerator (0.5 GPM, 1.9 L/min)      | <b>V5</b> | <input type="checkbox"/> | <b>QT</b> Quarter Turn Cartridges         |
| Vandal Resistant Aerator (2.0 GPM, 7.6 L/min)      | <b>VA</b> | <input type="checkbox"/> | <b>G1</b> Gooseneck Spout 3-1/2" (89 mm)  |
| Vandal Resistant Laminar Flow (2.0 GPM, 7.6 L/min) | <b>VF</b> | <input type="checkbox"/> | <b>G2</b> Gooseneck Spout 5-1/4" (133 mm) |
| 1-1/4" Grid Drain (P3902)                          | <b>GD</b> | <input type="checkbox"/> | <b>G3</b> Gooseneck Spout 8" (203 mm)     |
| 1-1/4" Offset Grid Drain (P3906)                   | <b>OG</b> | <input type="checkbox"/> |   |

#	Description	Part #*
1	Locknut	300110
2	O-Ring	039035-BP10
3	Centrepiece	039032-BP5
4	O-Ring	039034-BP10
5	Sleeve	039033-BP10
6	Seat Ring	039039-BP10
7	Stem	039030-BP10
8	Seat Extension	300129
9	Valve Body	301531
10	Cartridge	039038-BP5
11	Button, Cold	039290-BP5
	Button, Hot	039289-BP5
12	Screw	039327-BP25
13	Acrylic Handle Assy., Cold	039307
	Acrylic Handle Assy., Hot	039308
14	Flange	300185
15	Spout Assy.	361010
16	Rigid/Swing Assy.	039346
17	Spout Base Assy.	361229
18	Aerator Adaptor	303706
19	Aerator	300994
20	Hardware Kit	039283
21	Tee Assembly	361160

\*BPx denotes the bulk pack quantity



# P1620 Lavatory Fitting, 8" W/ Gooseneck



**P1620 Specification:** Commercial grade 8" lavatory supply fitting featuring rigid/swing gooseneck spout, "H" and "C" indexed metal lever handles, Dial-ese® cartridges and a 2.0 GPM (7.6 L/min) aerator. Includes a resilient polished chrome plated finish on all exposed surfaces and 1/2"-14 NPSM threaded inlets.

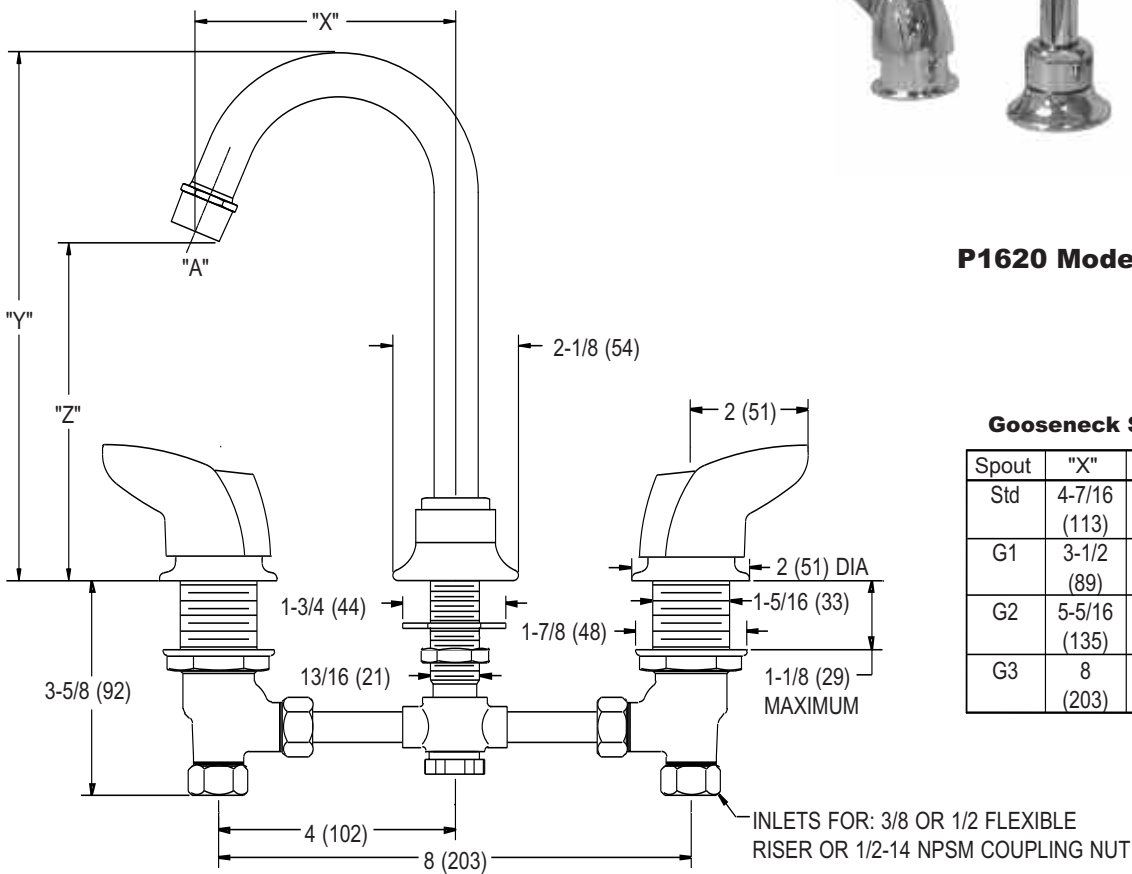
**Maximum Operating Pressure Rating** ..... 125 PSI (860 KPa)

**Maximum Operating Temperature Rating** ..... 65 C (150 F)

**Shipping Weight** ..... 5.5 Lbs (2.5 Kg)



**P1620 Model Shown**



**Gooseneck Spout Dimensions**

Spout	"X"	"Y"	"Z"	"A"
Std	4-7/16 (113)	8-15/16 (228)	5-3/4 (146)	22 Degree
G1	3-1/2 (89)	9 (229)	6 (152)	15 Degree
G2	5-5/16 (135)	13-1/2 (343)	9 (229)	10 Degree
G3	8 (203)	18-3/4 (478)	13-1/2 (343)	0 Degree



Dimensions shown in inches (mm) are for reference only and are subject to change.

**Ordering Code:**

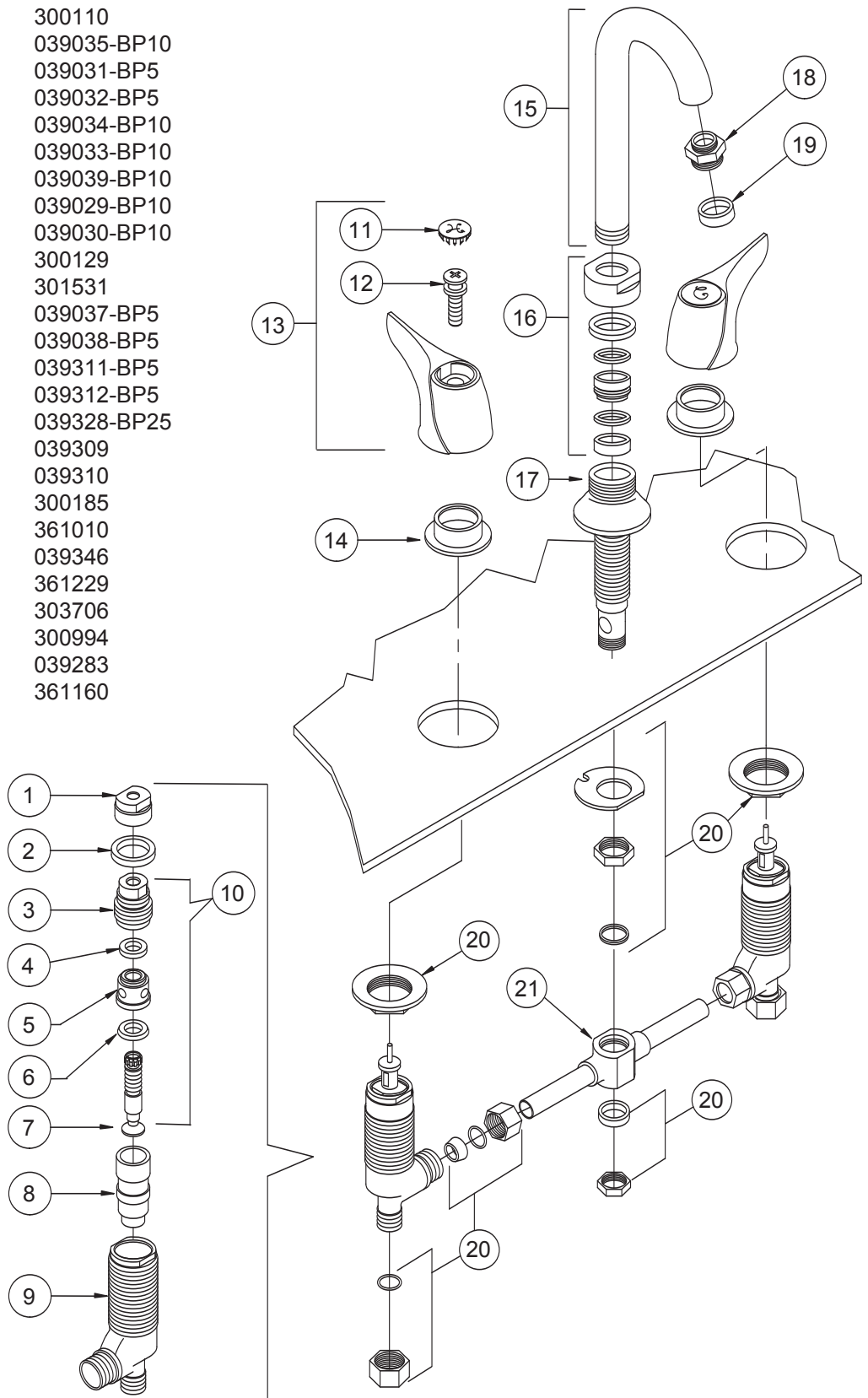
**P1620 -**

- |  |           |                          |   |                          |
|--|-----------|--------------------------|---|--------------------------|
| Aerator (0.5 GPM, 1.9 L/min)                       | <b>A5</b> | <input type="checkbox"/> | <b>CW</b> Cold Water Side Only            | <input type="checkbox"/> |
| Laminar Flow Outlet (2.0 GPM, 7.6 L/min)           | <b>LF</b> | <input type="checkbox"/> | <b>SC</b> Self Closing Cartridges         | <input type="checkbox"/> |
| Spray Face (2.0 GPM, 7.6 L/min)                    | <b>SF</b> | <input type="checkbox"/> | <b>VH</b> Vandal Resistant Handles        | <input type="checkbox"/> |
| Vandal Resistant Aerator (0.5 GPM, 1.9 L/min)      | <b>V5</b> | <input type="checkbox"/> | <b>QT</b> Quarter Turn Cartridges         | <input type="checkbox"/> |
| Vandal Resistant Aerator (2.0 GPM, 7.6 L/min)      | <b>VA</b> | <input type="checkbox"/> | <b>G1</b> Gooseneck Spout 3-1/2" (89 mm)  | <input type="checkbox"/> |
| Vandal Resistant Laminar Flow (2.0 GPM, 7.6 L/min) | <b>VF</b> | <input type="checkbox"/> | <b>G2</b> Gooseneck Spout 5-1/4" (133 mm) | <input type="checkbox"/> |
| 1-1/4" Grid Drain (P3902)                          | <b>GD</b> | <input type="checkbox"/> | <b>G3</b> Gooseneck Spout 8" (203 mm)     | <input type="checkbox"/> |
| 1-1/4" Offset Grid Drain (P3906)                   | <b>OG</b> | <input type="checkbox"/> |   |                          |



#	Description	Part #*
1	Locknut	300110
2	O-Ring	039035-BP10
3	RH Centrepiece	039031-BP5
	LH Centrepiece	039032-BP5
4	O-Ring	039034-BP10
5	Sleeve	039033-BP10
6	Seat Ring	039039-BP10
7	RH Stem	039029-BP10
	LH Stem	039030-BP10
8	Seat Extension	300129
9	Valve Body	301531
10	RH Cartridge	039037-BP5
	LH Cartridge	039038-BP5
11	Button, Cold	039311-BP5
	Button, Hot	039312-BP5
12	Screw	039328-BP25
13	Lever Handle Assy., Cold	039309
	Lever Handle Assy., Hot	039310
14	Flange	300185
15	Spout Assy.	361010
16	Rigid/Swing Assy.	039346
17	Spout Base Assy.	361229
18	Aerator Adaptor	303706
19	Aerator	300994
20	Hardware Kit	039283
21	Tee Assembly	361160

\*BPx denotes the bulk pack quantity



# P1630 Lavatory Fitting, 8" W/ Gooseneck



**P1630 Specification:** Commercial grade 8" lavatory supply fitting featuring rigid/swing gooseneck spout, colour indexed 3" metal blade handles, Dial-ese® cartridges and a 2.0 GPM (7.6 L/min) aerator. Includes a resilient polished chrome plated finish on all exposed surfaces and 1/2"-14 NPSM threaded inlets.

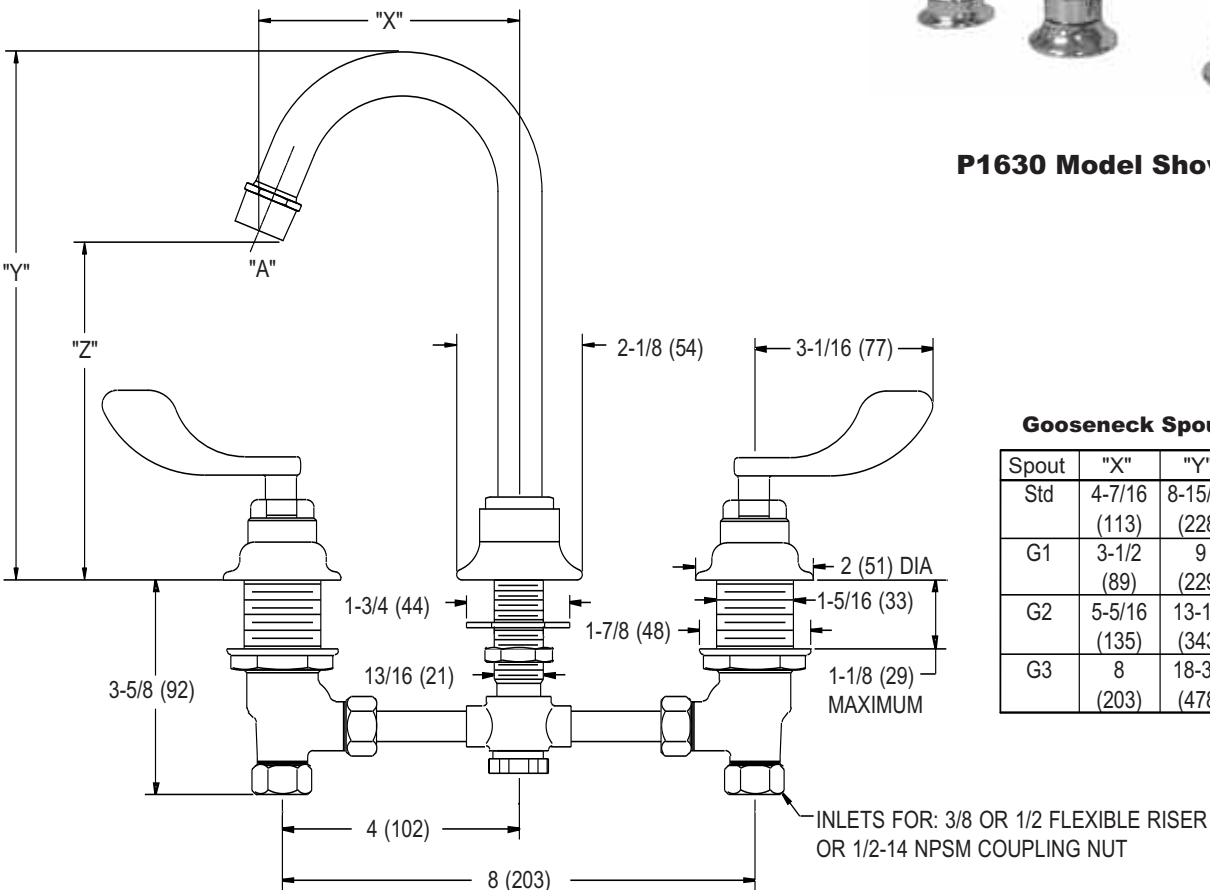
**Maximum Operating Pressure Rating** ..... 125 PSI (860 KPa)

**Maximum Operating Temperature Rating** ..... 65 C (150 F)

**Shipping Weight** ..... 5.5 Lbs (2.5 Kg)



**P1630 Model Shown**



**Gooseneck Spout Dimensions**

Spout	"X"	"Y"	"Z"	"A"
Std	4-7/16 (113)	8-15/16 (228)	5-3/4 (146)	22 Degree
G1	3-1/2 (89)	9 (229)	6 (152)	15 Degree
G2	5-5/16 (135)	13-1/2 (343)	9 (229)	10 Degree
G3	8 (203)	18-3/4 (478)	13-1/2 (343)	0 Degree



*Dimensions shown in inches (mm) are for reference only and are subject to change.*

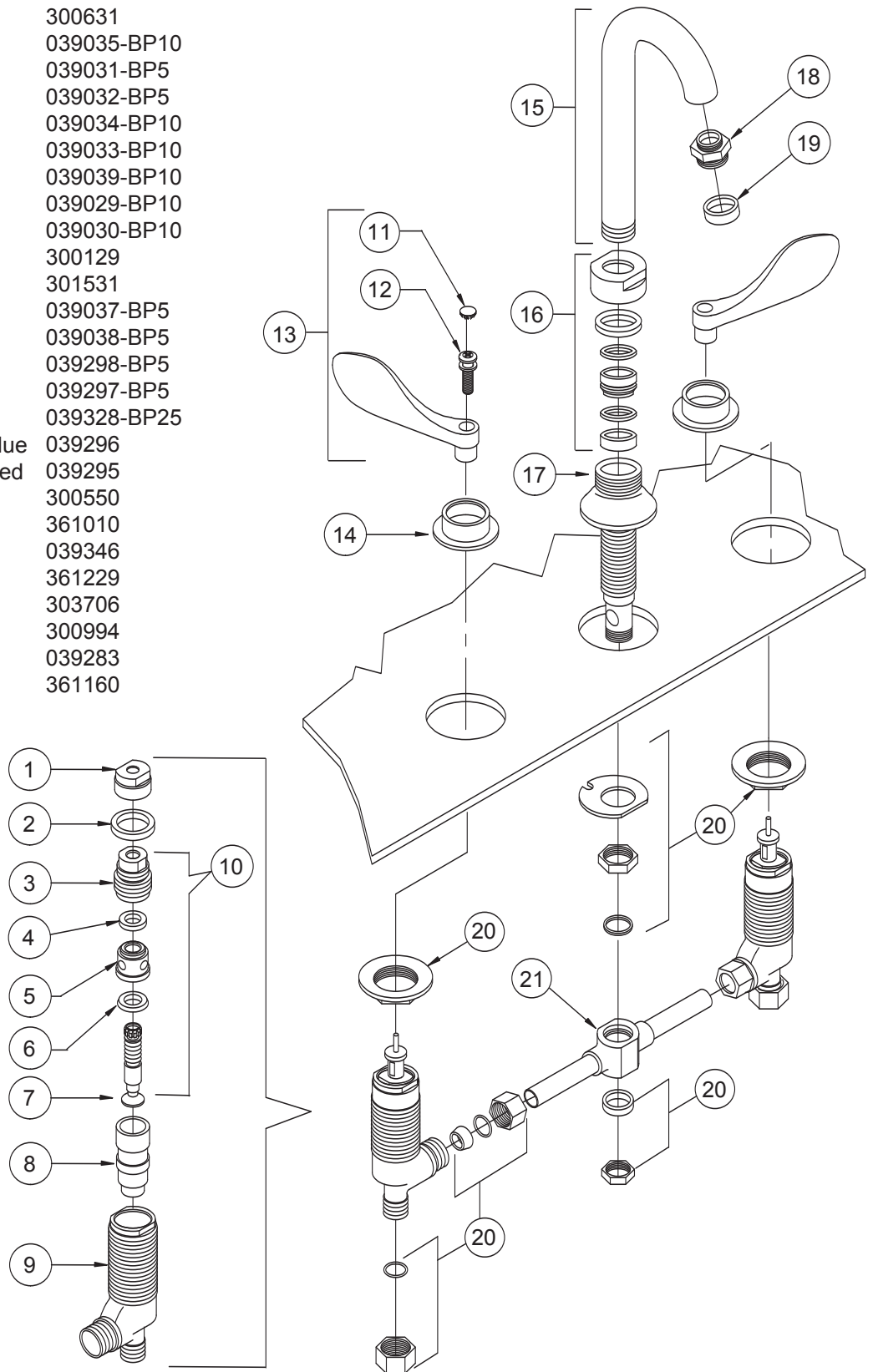
**Ordering Code:**

**P1630 -**

- |  |           |                          |   |
|--|-----------|--------------------------|---|
| Aerator (0.5 GPM, 1.9 L/min)                       | <b>A5</b> | <input type="checkbox"/> | <b>CW</b> Cold Water Side Only            |
| Laminar Flow Outlet (2.0 GPM, 7.6 L/min)           | <b>LF</b> | <input type="checkbox"/> | <b>SC</b> Self Closing Cartridges         |
| Spray Face (2.0 GPM, 7.6 L/min)                    | <b>SF</b> | <input type="checkbox"/> | <b>VH</b> Vandal Resistant Handles        |
| Vandal Resistant Aerator (0.5 GPM, 1.9 L/min)      | <b>V5</b> | <input type="checkbox"/> | <b>QT</b> Quarter Turn Cartridges         |
| Vandal Resistant Aerator (2.0 GPM, 7.6 L/min)      | <b>VA</b> | <input type="checkbox"/> | <b>G1</b> Gooseneck Spout 3-1/2" (89 mm)  |
| Vandal Resistant Laminar Flow (2.0 GPM, 7.6 L/min) | <b>VF</b> | <input type="checkbox"/> | <b>G2</b> Gooseneck Spout 5-1/4" (133 mm) |
| 1-1/4" Grid Drain (P3902)                          | <b>GD</b> | <input type="checkbox"/> | <b>G3</b> Gooseneck Spout 8" (203 mm)     |
| 1-1/4" Offset Grid Drain (P3906)                   | <b>OG</b> | <input type="checkbox"/> |   |

#	Description	Part #*
1	Locknut	300631
2	O-Ring	039035-BP10
3	RH Centrepiece	039031-BP5
	LH Centrepiece	039032-BP5
4	O-Ring	039034-BP10
5	Sleeve	039033-BP10
6	Seat Ring	039039-BP10
7	RH Stem	039029-BP10
	LH Stem	039030-BP10
8	Seat Extension	300129
9	Valve Body	301531
10	RH Cartridge	039037-BP5
	LH Cartridge	039038-BP5
11	Button, Blue	039298-BP5
	Button, Red	039297-BP5
12	Screw	039328-BP25
13	3" Blade Handle Assy., Blue	039296
	3" Blade Handle Assy., Red	039295
14	Flange	300550
15	Spout Assy.	361010
16	Rigid/Swing Assy.	039346
17	Spout Base Assy.	361229
18	Aerator Adaptor	303706
19	Aerator	300994
20	Hardware Kit	039283
21	Tee Assembly	361160

\*BPx denotes the bulk pack quantity



# P1640 Lavatory Fitting, 8" W/ Gooseneck



**P1640 Specification:** Commercial grade 8" lavatory supply fitting featuring rigid/swing gooseneck spout, colour indexed 4-1/2" metal blade handles, Dial-ese® cartridges and a 2.0 GPM (7.6 L/min) aerator. Includes a resilient polished chrome plated finish on all exposed surfaces and 1/2"-14 NPSM threaded inlets.

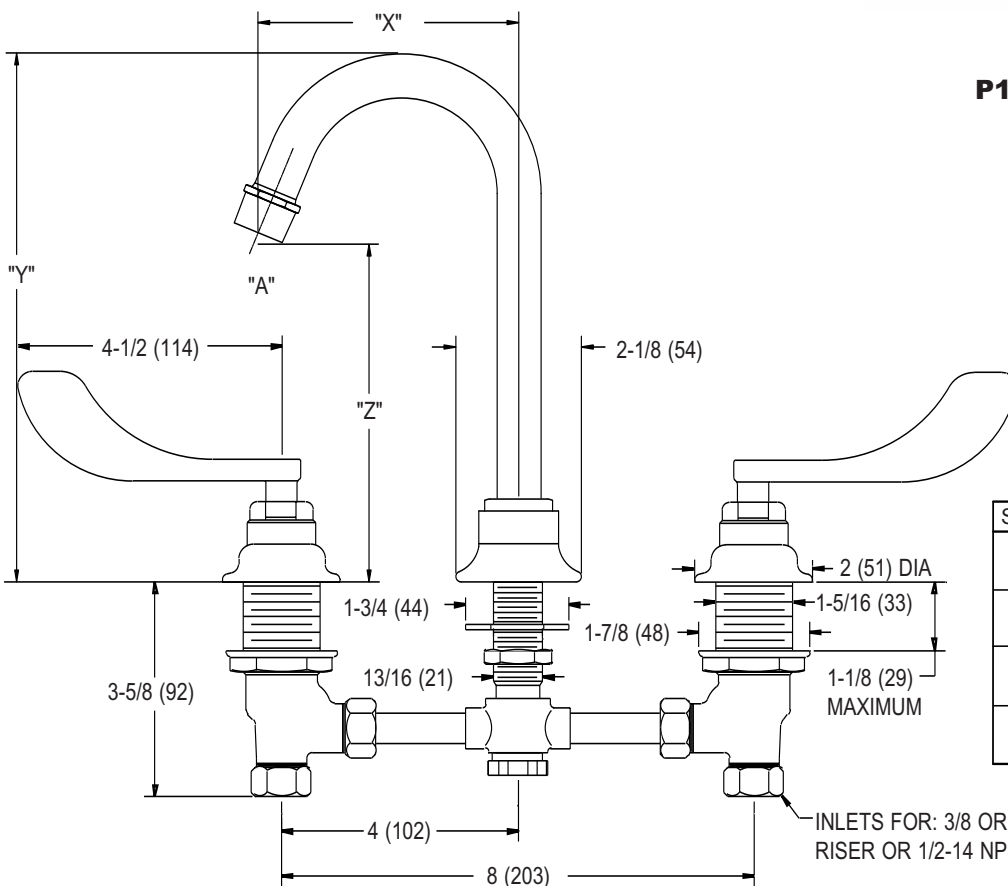
**Maximum Operating Pressure Rating** ..... 125 PSI (860 KPa)

**Maximum Operating Temperature Rating** ..... 65 C (150 F)

**Shipping Weight** ..... 5.5 Lbs (2.5 Kg)



**P1640 Model Shown**



**Gooseneck Spout Dimensions**

Spout	"X"	"Y"	"Z"	"A"
Std	4-7/16 (113)	8-15/16 (228)	5-3/4 (146)	22 Degree
G1	3-1/2 (89)	9 (229)	6 (152)	15 Degree
G2	5-5/16 (135)	13-1/2 (343)	9 (229)	10 Degree
G3	8 (203)	18-3/4 (478)	13-1/2 (343)	0 Degree

Dimensions shown in inches (mm) are for reference only and are subject to change.



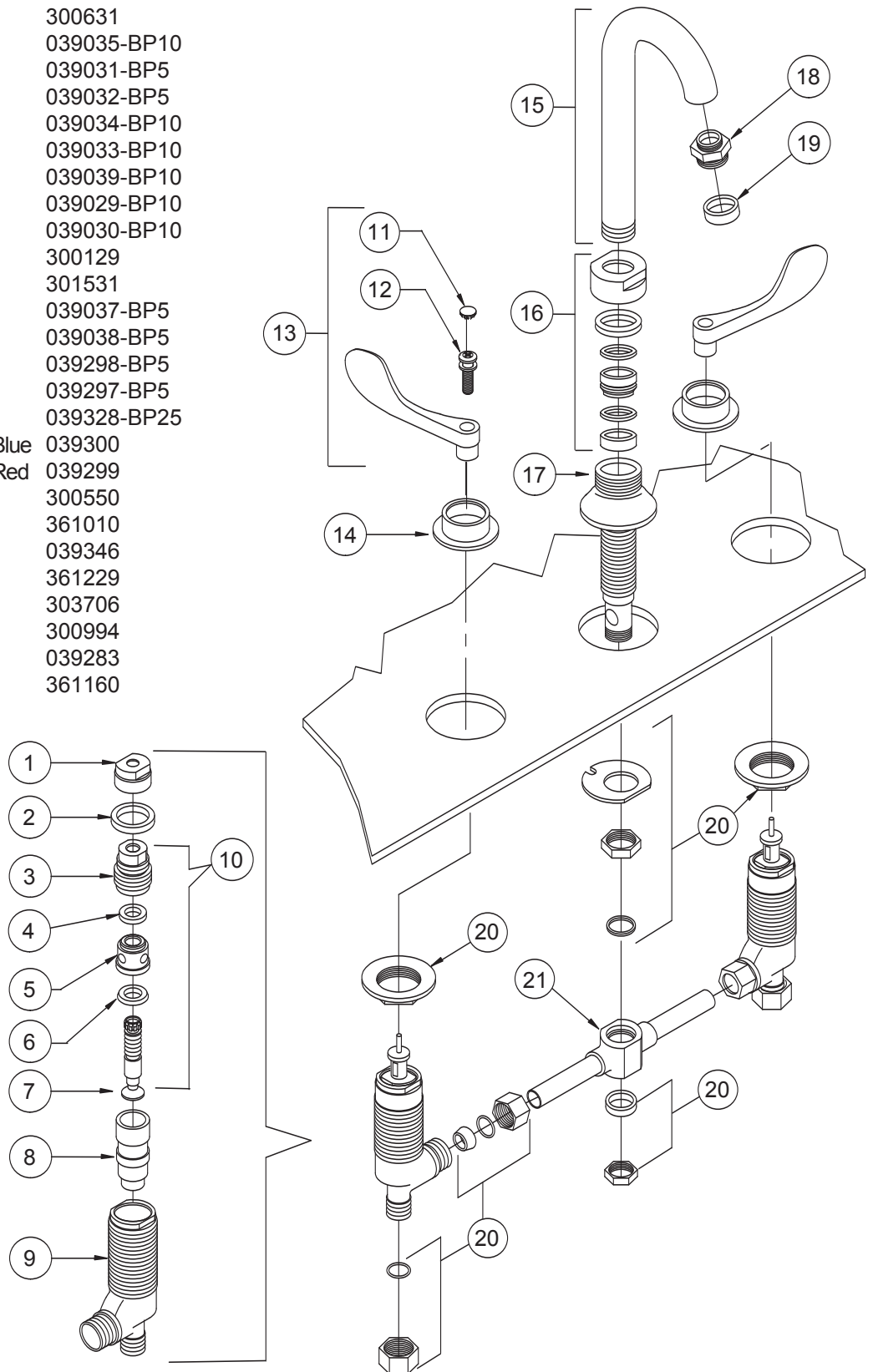
**Ordering Code:**

**P1640 -**

- Aerator (0.5 GPM, 1.9 L/min) **A5**
- Laminar Flow Outlet (2.0 GPM, 7.6 L/min) **LF**
- Spray Face (2.0 GPM, 7.6 L/min) **SF**
- Vandal Resistant Aerator (0.5 GPM, 1.9 L/min) **V5**
- Vandal Resistant Aerator (2.0 GPM, 7.6 L/min) **VA**
- Vandal Resistant Laminar Flow (2.0 GPM, 7.6 L/min) **VF**
- 1-1/4" Grid Drain (P3902) **GD**
- 1-1/4" Offset Grid Drain (P3906) **OG**
- CW** Cold Water Side Only
- SC** Self Closing Cartridges
- VH** Vandal Resistant Handles
- QT** Quarter Turn Cartridges
- G1** Gooseneck Spout 3-1/2" (89 mm)
- G2** Gooseneck Spout 5-1/4" (133 mm)
- G3** Gooseneck Spout 8" (203 mm)

#	Description	Part #*
1	Locknut	300631
2	O-Ring	039035-BP10
3	RH Centrepiece	039031-BP5
	LH Centrepiece	039032-BP5
4	O-Ring	039034-BP10
5	Sleeve	039033-BP10
6	Seat Ring	039039-BP10
7	RH Stem	039029-BP10
	LH Stem	039030-BP10
8	Seat Extension	300129
9	Valve Body	301531
10	RH Cartridge	039037-BP5
	LH Cartridge	039038-BP5
11	Button, Blue	039298-BP5
	Button, Red	039297-BP5
12	Screw	039328-BP25
13	4-1/2" Blade Handle Assy., Blue	039300
	4-1/2" Blade Handle Assy., Red	039299
14	Flange	300550
15	Spout Assy.	361010
16	Rigid/Swing Assy.	039346
17	Spout Base Assy.	361229
18	Aerator Adaptor	303706
19	Aerator	300994
20	Hardware Kit	039283
21	Tee Assembly	361160

\*BPx denotes the bulk pack quantity



# P1650 Lavatory Fitting, 8" W/ Gooseneck



**P1650 Specification:** Commercial grade 8" lavatory supply fitting featuring rigid/swing gooseneck spout, "H" and "C" indexed 5-rib metal handles, Dial-ese® cartridges and a 2.0 GPM (7.6 L/min) aerator. Includes a resilient polished chrome plated finish on all exposed surfaces and 1/2"-14 NPSM threaded inlets.

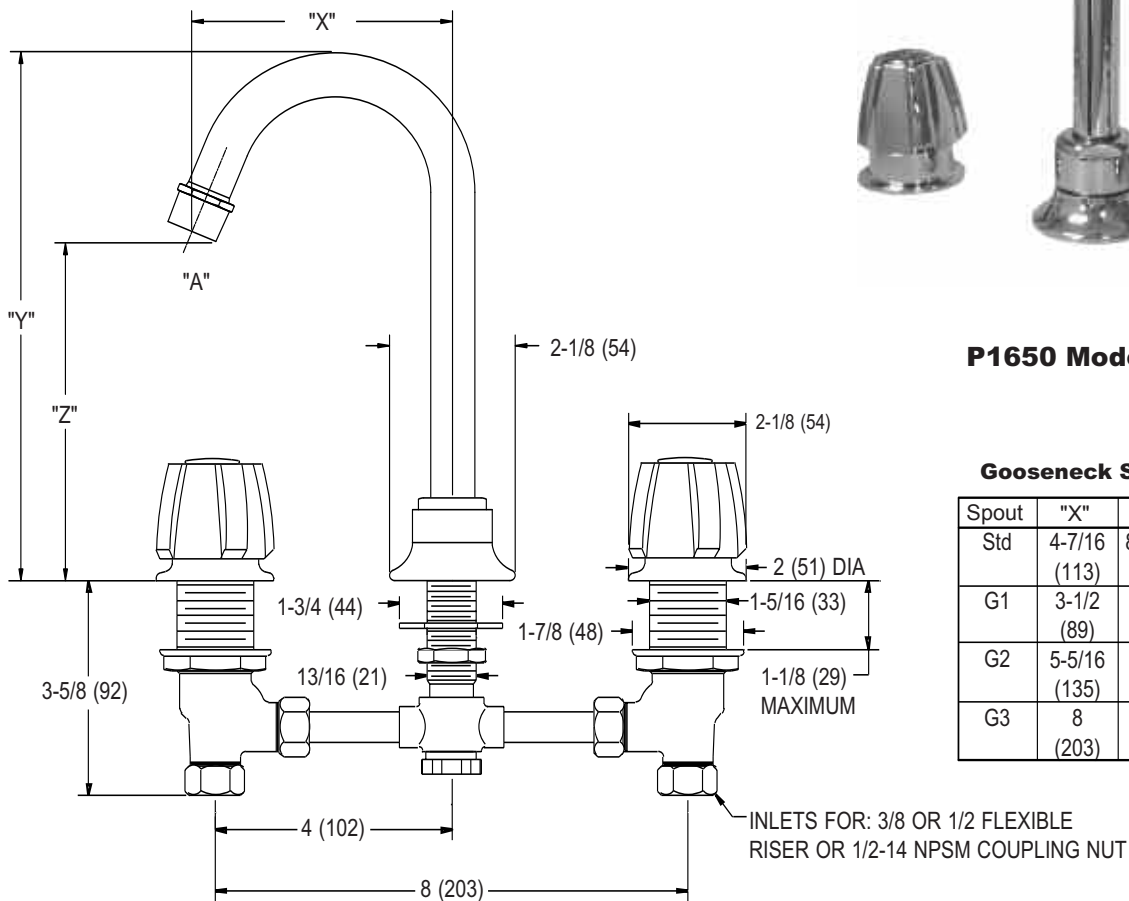
**Maximum Operating Pressure Rating** ..... 125 PSI (860 KPa)

**Maximum Operating Temperature Rating** ..... 65 C (150 F)

**Shipping Weight** ..... 5.5 Lbs (2.5 Kg)



**P1650 Model Shown**



**Gooseneck Spout Dimensions**

Spout	"X"	"Y"	"Z"	"A"
Std	4-7/16 (113)	8-15/16 (228)	5-3/4 (146)	22 Degree
G1	3-1/2 (89)	9 (229)	6 (152)	15 Degree
G2	5-5/16 (135)	13-1/2 (343)	9 (229)	10 Degree
G3	8 (203)	18-3/4 (478)	13-1/2 (343)	0 Degree

Dimensions shown in inches (mm) are for reference only and are subject to change.



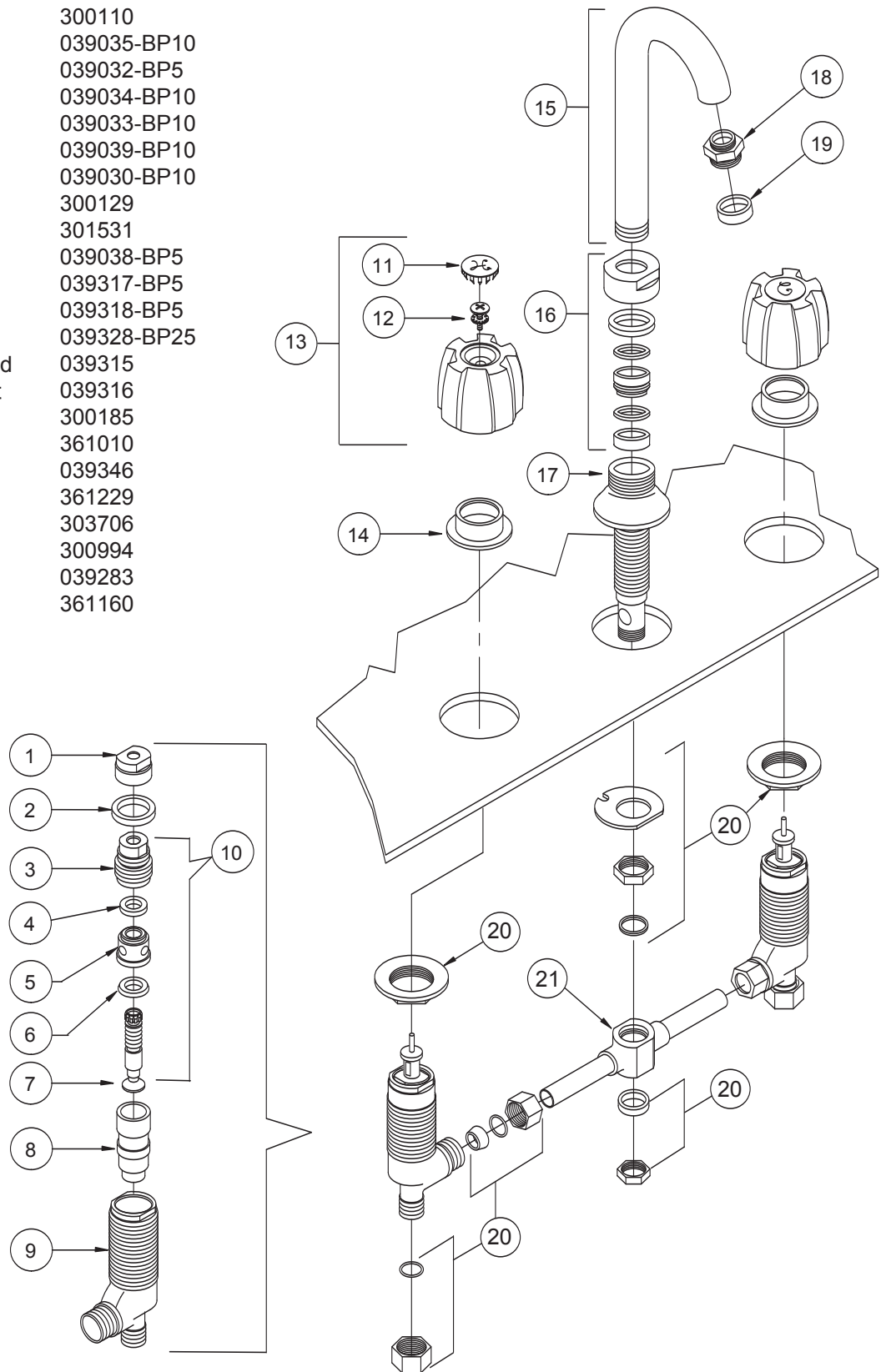
**Ordering Code:**

**P1650 -**

- |  |           |                          |   |
|--|-----------|--------------------------|---|
| Aerator (0.5 GPM, 1.9 L/min)                       | <b>A5</b> | <input type="checkbox"/> | <b>CW</b> Cold Water Side Only            |
| Laminar Flow Outlet (2.0 GPM, 7.6 L/min)           | <b>LF</b> | <input type="checkbox"/> | <b>SC</b> Self Closing Cartridges         |
| Spray Face (2.0 GPM, 7.6 L/min)                    | <b>SF</b> | <input type="checkbox"/> | <b>VH</b> Vandal Resistant Handles        |
| Vandal Resistant Aerator (0.5 GPM, 1.9 L/min)      | <b>V5</b> | <input type="checkbox"/> | <b>QT</b> Quarter Turn Cartridges         |
| Vandal Resistant Aerator (2.0 GPM, 7.6 L/min)      | <b>VA</b> | <input type="checkbox"/> |   |
| Vandal Resistant Laminar Flow (2.0 GPM, 7.6 L/min) | <b>VF</b> | <input type="checkbox"/> |   |
| 1-1/4" Grid Drain (P3902)                          | <b>GD</b> | <input type="checkbox"/> | <b>G1</b> Gooseneck Spout 3-1/2" (89 mm)  |
| 1-1/4" Offset Grid Drain (P3906)                   | <b>OG</b> | <input type="checkbox"/> | <b>G2</b> Gooseneck Spout 5-1/4" (133 mm) |
|  |           |                          | <b>G3</b> Gooseneck Spout 8" (203 mm)     |

#	Description	Part #*
1	Locknut	300110
2	O-Ring	039035-BP10
3	Centrepiece	039032-BP5
4	O-Ring	039034-BP10
5	Sleeve	039033-BP10
6	Seat Ring	039039-BP10
7	Stem	039030-BP10
8	Seat Extension	300129
9	Valve Body	301531
10	Cartridge	039038-BP5
11	Button, Cold	039317-BP5
	Button, Hot	039318-BP5
12	Screw	039328-BP25
13	5-Rib Handle Assy., Cold	039315
	5-Rib Handle Assy., Hot	039316
14	Flange	300185
15	Spout Assy.	361010
16	Rigid/Swing Assy.	039346
17	Spout Base Assy.	361229
18	Aerator Adaptor	303706
19	Aerator	300994
20	Hardware Kit	039283
21	Tee Assembly	361160

\*BPx denotes the bulk pack quantity



# P1660 Lavatory Fitting, 8" W/ Gooseneck



**P1660 Specification:** Commercial grade 8" lavatory supply fitting featuring rigid/swing gooseneck spout, colour indexed 6" metal blade handles, Dial-ese® cartridges and a 2.0 GPM (7.6 L/min) aerator. Includes a resilient polished chrome plated finish on all exposed surfaces and 1/2"-14 NPSM threaded inlets.

**Maximum Operating Pressure Rating** ..... 125 PSI (860 KPa)

**Maximum Operating Temperature Rating** ..... 65 C (150 F)

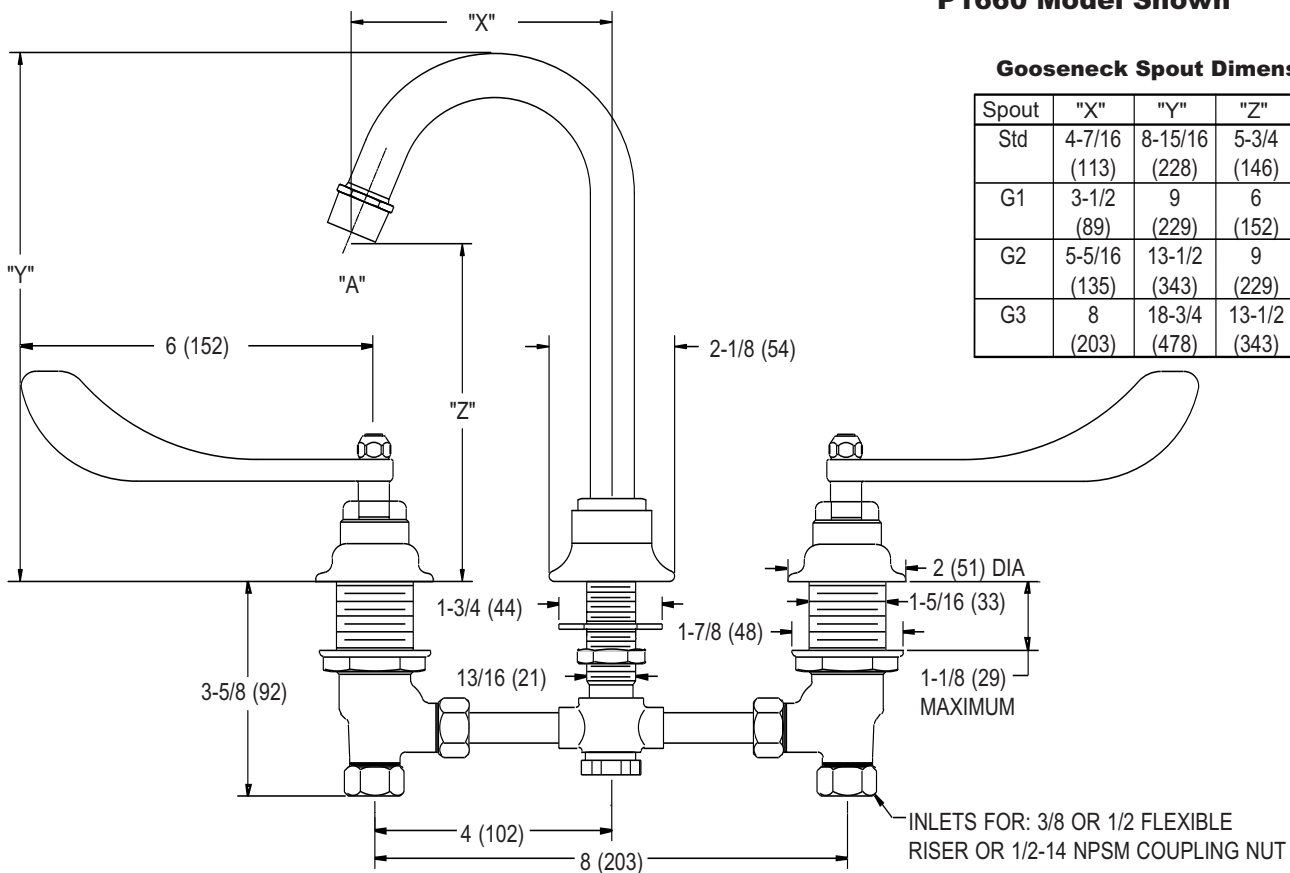
**Shipping Weight** ..... 5.5 Lbs (2.5 Kg)



**P1660 Model Shown**

**Gooseneck Spout Dimensions**

Spout	"X"	"Y"	"Z"	"A"
Std	4-7/16 (113)	8-15/16 (228)	5-3/4 (146)	22 Degree
G1	3-1/2 (89)	9 (229)	6 (152)	15 Degree
G2	5-5/16 (135)	13-1/2 (343)	9 (229)	10 Degree
G3	8 (203)	18-3/4 (478)	13-1/2 (343)	0 Degree



Dimensions shown in inches (mm) are for reference only and are subject to change.

**Ordering Code:**

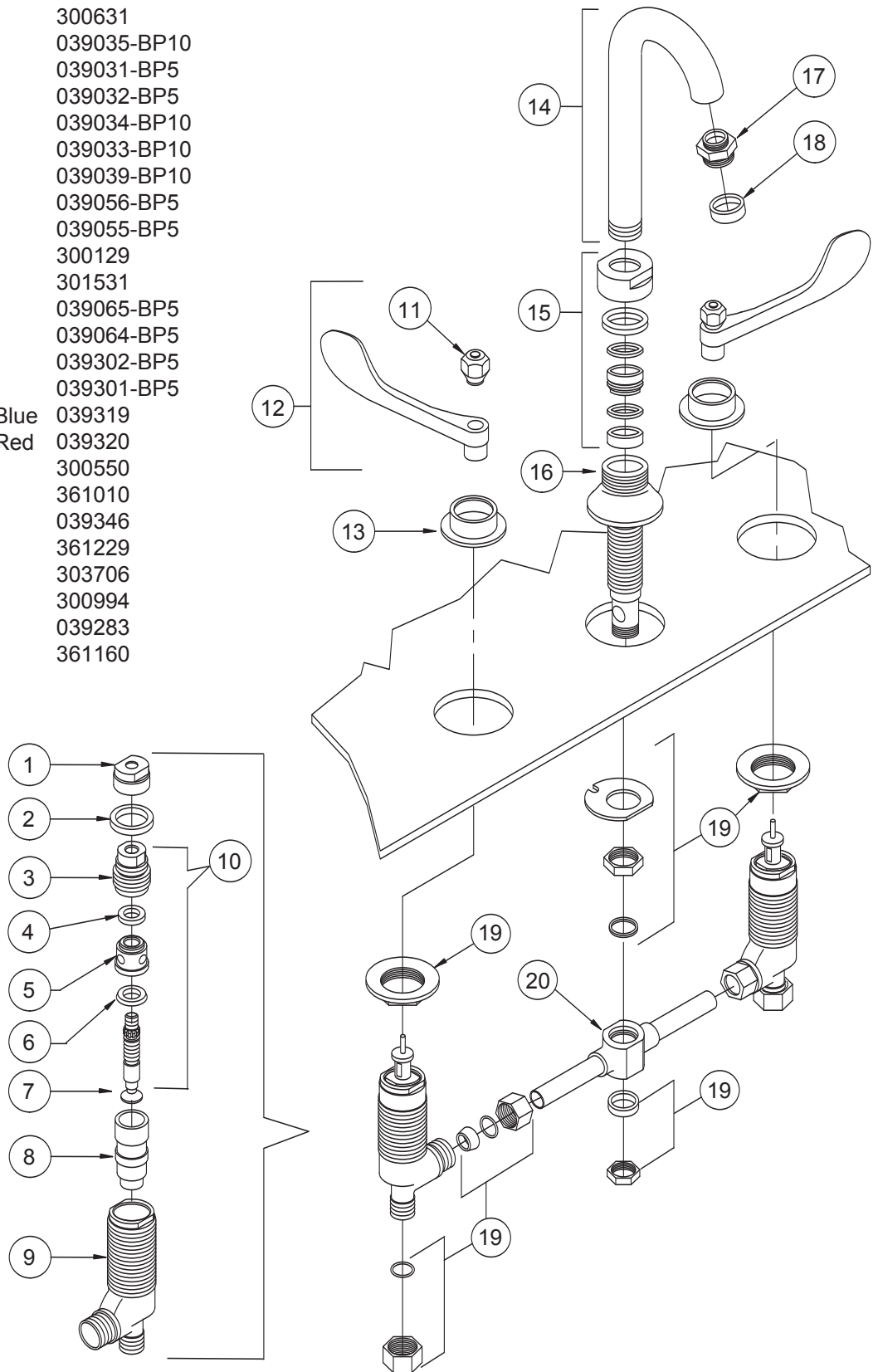
**P1660 -**

- |  |           |                          |   |
|--|-----------|--------------------------|---|
| Aerator (0.5 GPM, 1.9 L/min)                       | <b>A5</b> | <input type="checkbox"/> | <b>CW</b> Cold Water Side Only            |
| Laminar Flow Outlet (2.0 GPM, 7.6 L/min)           | <b>LF</b> | <input type="checkbox"/> | <b>VH</b> Vandal Resistant Handles        |
| Spray Face (2.0 GPM, 7.6 L/min)                    | <b>SF</b> | <input type="checkbox"/> | <b>QT</b> Quarter Turn Cartridges         |
| Vandal Resistant Aerator (0.5 GPM, 1.9 L/min)      | <b>V5</b> | <input type="checkbox"/> |   |
| Vandal Resistant Aerator (2.0 GPM, 7.6 L/min)      | <b>VA</b> | <input type="checkbox"/> |   |
| Vandal Resistant Laminar Flow (2.0 GPM, 7.6 L/min) | <b>VF</b> | <input type="checkbox"/> |   |
| 1-1/4" Grid Drain (P3902)                          | <b>GD</b> | <input type="checkbox"/> | <b>G1</b> Gooseneck Spout 3-1/2" (89 mm)  |
| 1-1/4" Offset Grid Drain (P3906)                   | <b>OG</b> | <input type="checkbox"/> | <b>G2</b> Gooseneck Spout 5-1/4" (133 mm) |
|  |           |                          | <b>G3</b> Gooseneck Spout 8" (203 mm)     |



#	Description	Part #*
1	Locknut	300631
2	O-Ring	039035-BP10
3	RH Centrepiece	039031-BP5
	LH Centrepiece	039032-BP5
4	O-Ring	039034-BP10
5	Sleeve	039033-BP10
6	Seat Ring	039039-BP10
7	RH Stem	039056-BP5
	LH Stem	039055-BP5
8	Seat Extension	300129
9	Valve Body	301531
10	RH Cartridge	039065-BP5
	LH Cartridge	039064-BP5
11	Cap Nut, Blue	039302-BP5
	Cap Nut, Red	039301-BP5
12	6" Blade Handle Assy., Blue	039319
	6" Blade Handle Assy., Red	039320
13	Flange	300550
14	Spout Assy.	361010
15	Rigid/Swing Assy.	039346
16	Spout Base Assy.	361229
17	Aerator Adaptor	303706
18	Aerator	300994
19	Hardware Kit	039283
20	Tee Assembly	361160

\*BPx denotes the bulk pack quantity



# P1670 Lavatory Fitting, 8" W/ Gooseneck



**P1670 Specification:** Commercial grade 8" lavatory supply fitting featuring rigid/swing gooseneck spout, colour indexed metal cross handles, Dial-ese® cartridges and a 2.0 GPM (7.6 L/min) aerator. Includes a resilient polished chrome plated finish on all exposed surfaces and 1/2"-14 NPSM threaded inlets.

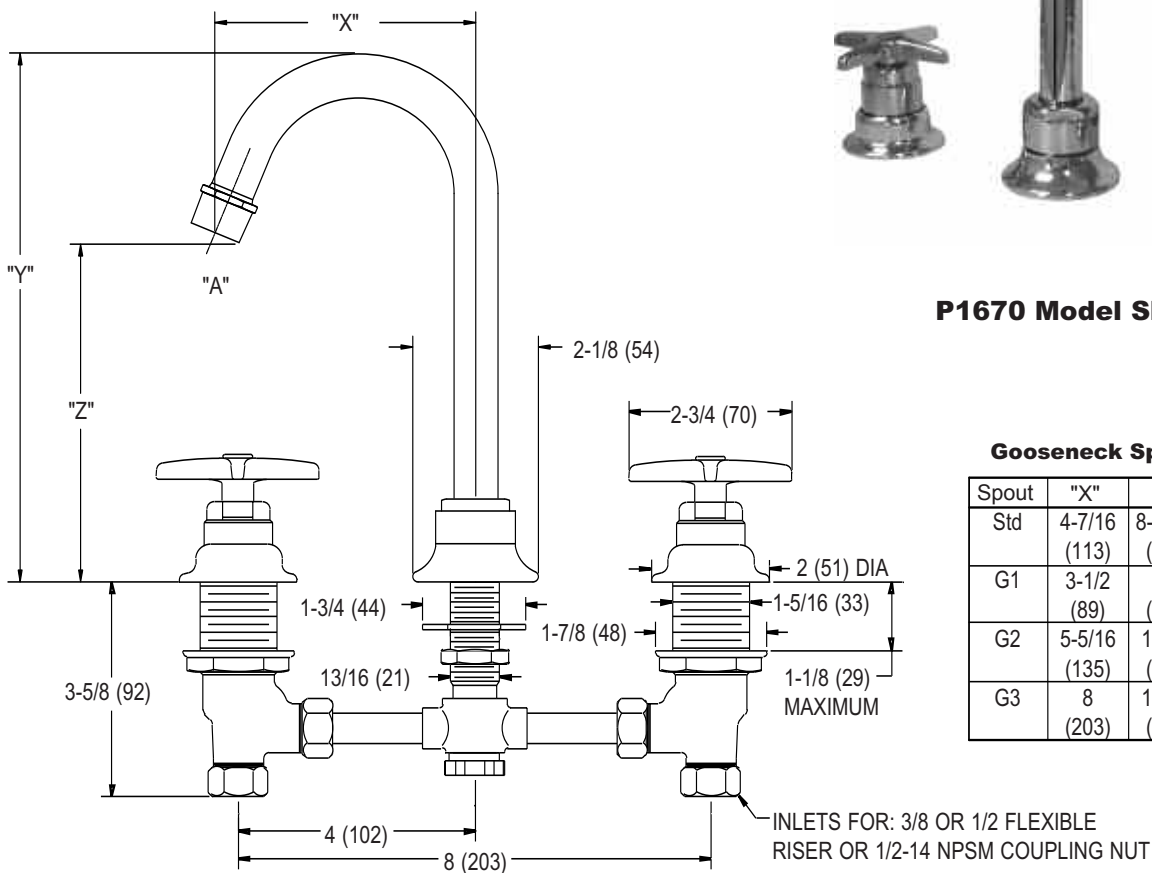
**Maximum Operating Pressure Rating** ..... 125 PSI (860 KPa)

**Maximum Operating Temperature Rating** ..... 65 C (150 F)

**Shipping Weight** ..... 5.5 Lbs (2.5 Kg)



**P1670 Model Shown**



**Gooseneck Spout Dimensions**

Spout	"X"	"Y"	"Z"	"A"
Std	4-7/16 (113)	8-15/16 (228)	5-3/4 (146)	22 Degree
G1	3-1/2 (89)	9 (229)	6 (152)	15 Degree
G2	5-5/16 (135)	13-1/2 (343)	9 (229)	10 Degree
G3	8 (203)	18-3/4 (478)	13-1/2 (343)	0 Degree

Dimensions shown in inches (mm) are for reference only and are subject to change.



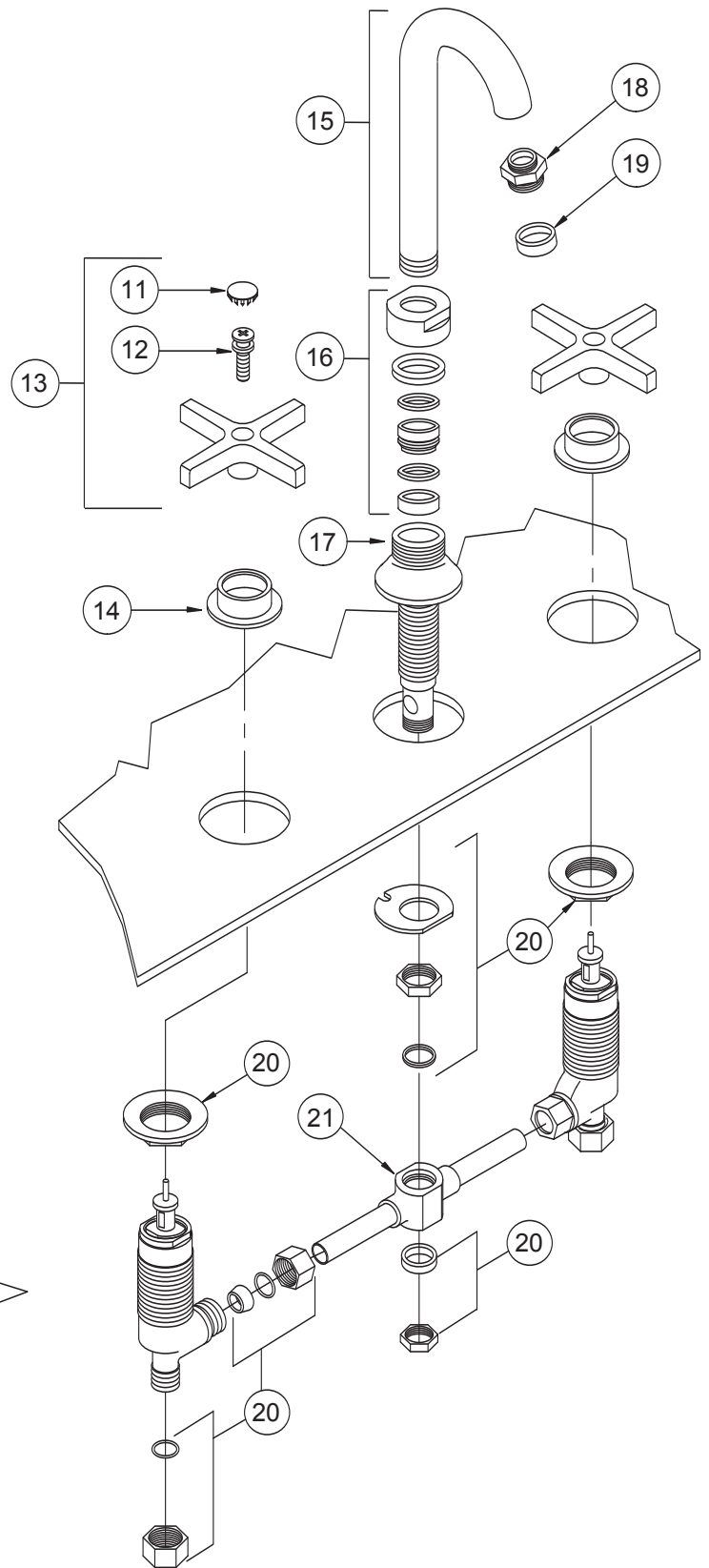
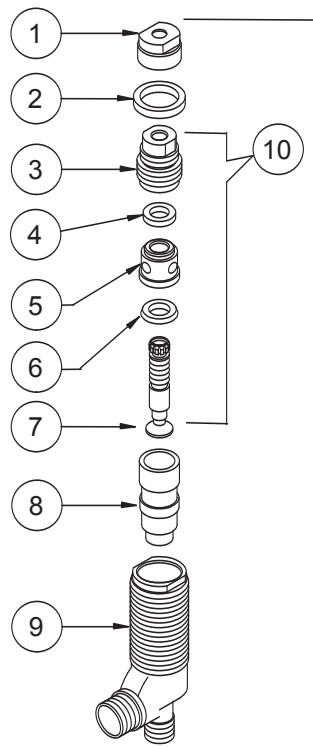
**Ordering Code:**

**P1670 -**

- Aerator (0.5 GPM, 1.9 L/min) **A5**
- Laminar Flow Outlet (2.0 GPM, 7.6 L/min) **LF**
- Spray Face (2.0 GPM, 7.6 L/min) **SF**
- Vandal Resistant Aerator (0.5 GPM, 1.9 L/min) **V5**
- Vandal Resistant Aerator (2.0 GPM, 7.6 L/min) **VA**
- Vandal Resistant Laminar Flow (2.0 GPM, 7.6 L/min) **VF**
- 1-1/4" Grid Drain (P3902) **GD**
- 1-1/4" Offset Grid Drain (P3906) **OG**
- CW** Cold Water Side Only
- SC** Self Closing Cartridges
- VH** Vandal Resistant Handles
- QT** Quarter Turn Cartridges
- G1** Gooseneck Spout 3-1/2" (89 mm)
- G2** Gooseneck Spout 5-1/4" (133 mm)
- G3** Gooseneck Spout 8" (203 mm)

#	Description	Part #*
1	Locknut	300631
2	O-Ring	039035-BP10
3	Centrepiece	039032-BP5
4	O-Ring	039034-BP10
5	Sleeve	039033-BP10
6	Seat Ring	039039-BP10
7	Stem	039030-BP10
8	Seat Extension	300129
9	Valve Body	301531
10	Cartridge	039038-BP5
11	Button, Blue	039298-BP5
	Button, Red	039297-BP5
12	Screw	039328-BP25
13	Cross Handle Assy., Blue	039313
	Cross Handle Assy., Red	039314
14	Flange	300550
15	Spout Assy.	361010
16	Rigid/Swing Assy.	039346
17	Spout Base Assy.	361229
18	Aerator Adaptor	303706
19	Aerator	300994
20	Hardware Kit	039283
21	Tee Assembly	361160

\*BPx denotes the bulk pack quantity



# P1805 Lavatory Fitting, Single Shank



**P1805 Specification:** Commercial grade single shank lavatory supply fitting includes colour indexed vandal resistant metal handle, metering cartridge, and a 2.0 GPM (7.6 L/min) aerator. Heavy duty cast brass body has a resilient polished chrome plated finish and 1/2"-14 NPSM threaded inlet. Time adjustable from 1 - 20 seconds.

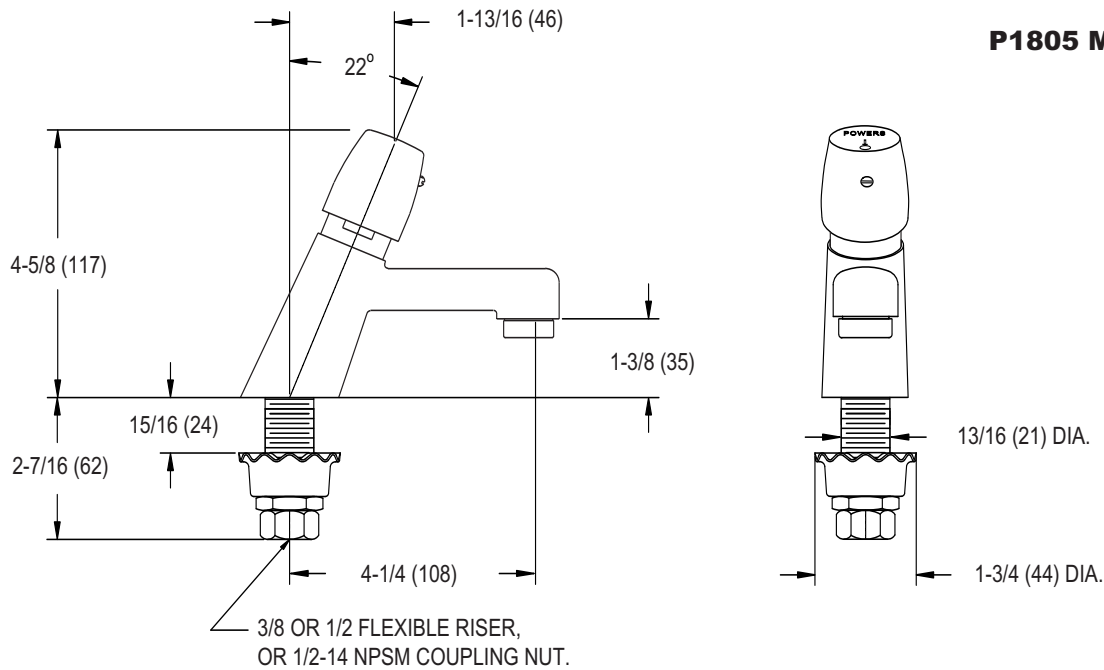
**Maximum Operating Pressure Rating** ..... 125 PSI (860 KPa)

**Maximum Operating Temperature Rating** ..... 65 C (150 F)

**Shipping Weight** ..... 2.0 Lbs (0.9 Kg)



**P1805 Model Shown**



Dimensions shown in inches (mm) are for reference only and are subject to change.

**Ordering Code:**

**P1805 - -**

**Outlet Options**

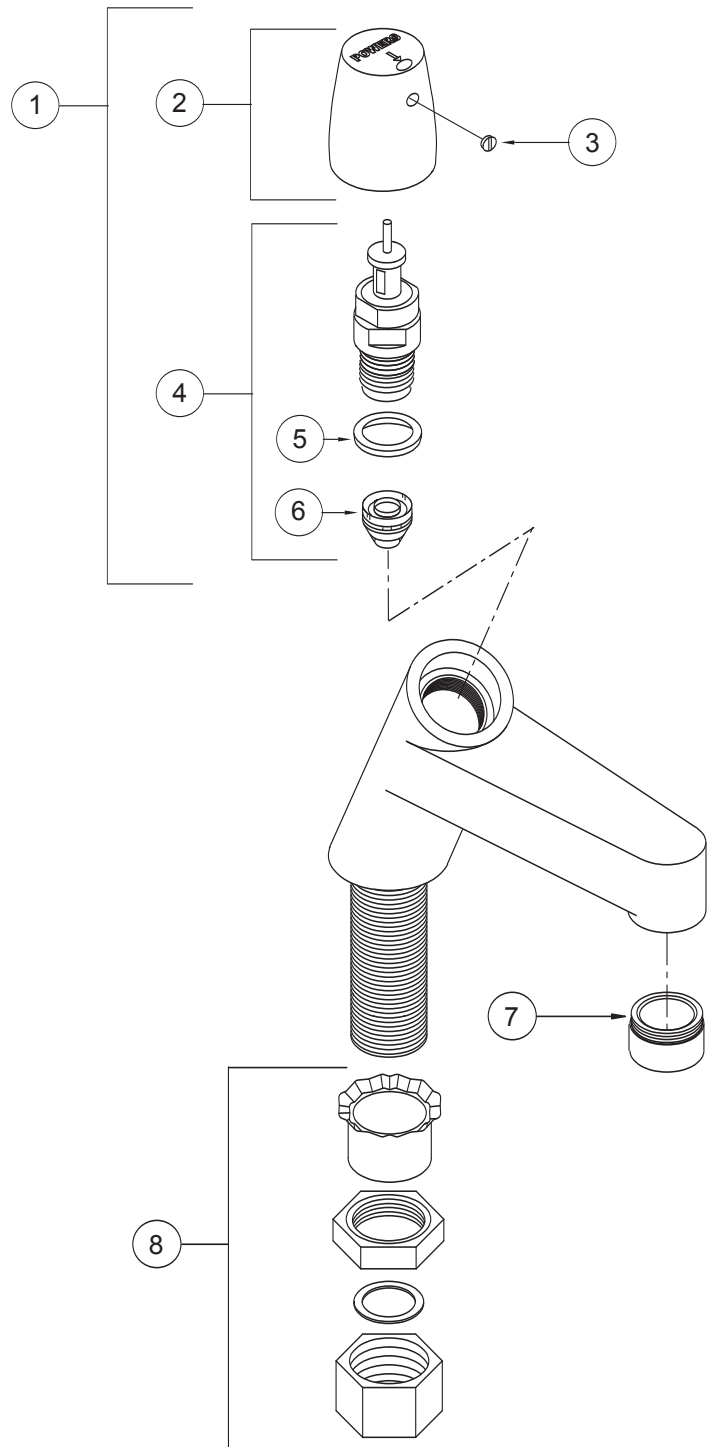
- Aerator (0.5 GPM, 1.9 L/min) **A5**
- Laminar Flow Outlet (2.0 GPM, 7.6 L/min) **LF**
- Spray Face (2.0 GPM, 7.6 L/min) **SF**
- Vandal Resistant Aerator (0.5 GPM, 1.9 L/min) **V5**
- Vandal Resistant Aerator (2.0 GPM, 7.6 L/min) **VA**
- Vandal Resistant Laminar Flow (2.0 GPM, 7.6 L/min) **VF**

**Additional Options**

- GD** 1-1/4" Grid Drain (P3902)
- OG** 1-1/4" Offset Grid Drain (P3906)

#	Description	Part #*
1	Cartridge / Handle Kit	675-031
2	Handle Kit	675-026
3	Handle Button Kit (Red, Blue)	675-032
4	Cartridge Kit	675-036
5	O-Ring	084-025
6	Diaphragm / Filter	675-028
7	Aerator	300911
8	Hardware Kit	039551
9	Filter Wrench (Not Shown)	675035-BP5

\*BPx denotes the bulk pack quantity



# P1810 Lavatory Fitting, Single Shank



**P1810 Specification:** Commercial grade single shank lavatory supply fitting includes indexed acrylic handle, Dial-ese® cartridge and a 2.0 GPM (7.6 L/min) aerator. Heavy duty cast brass body has a resilient polished chrome plated finish and 1/2"-14 NPSM threaded inlet.

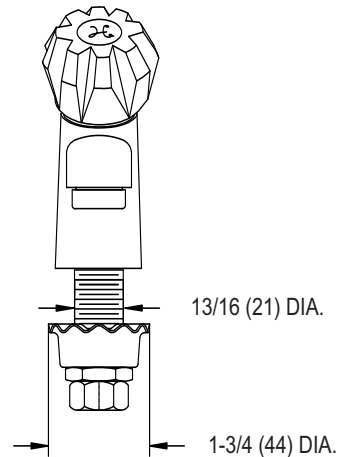
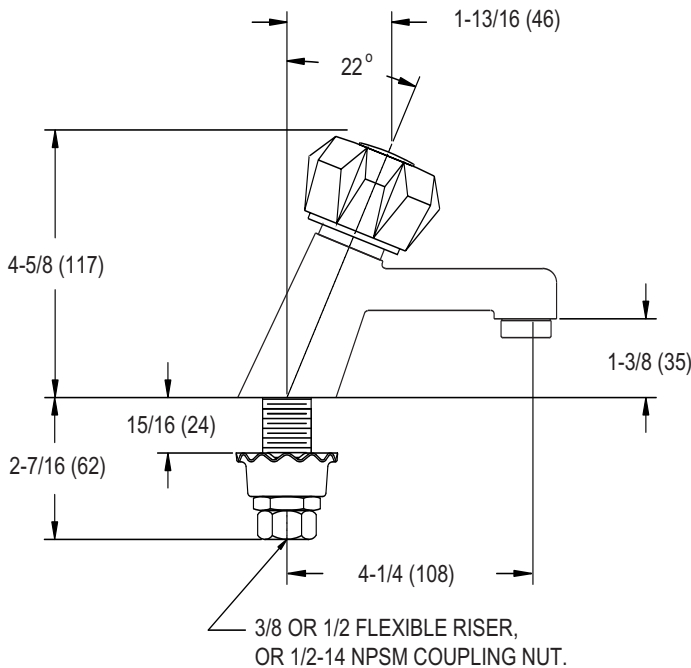
**Maximum Operating Pressure Rating** ..... 125 PSI (860 KPa)

**Maximum Operating Temperature Rating** ..... 65 C (150 F)

**Shipping Weight** ..... 3.0 Lbs (1.4 Kg)



**P1810 Model Shown**



Dimensions shown in inches (mm) are for reference only and are subject to change.



**Ordering Code:**

**P1810 - - -**

**Outlet Options**

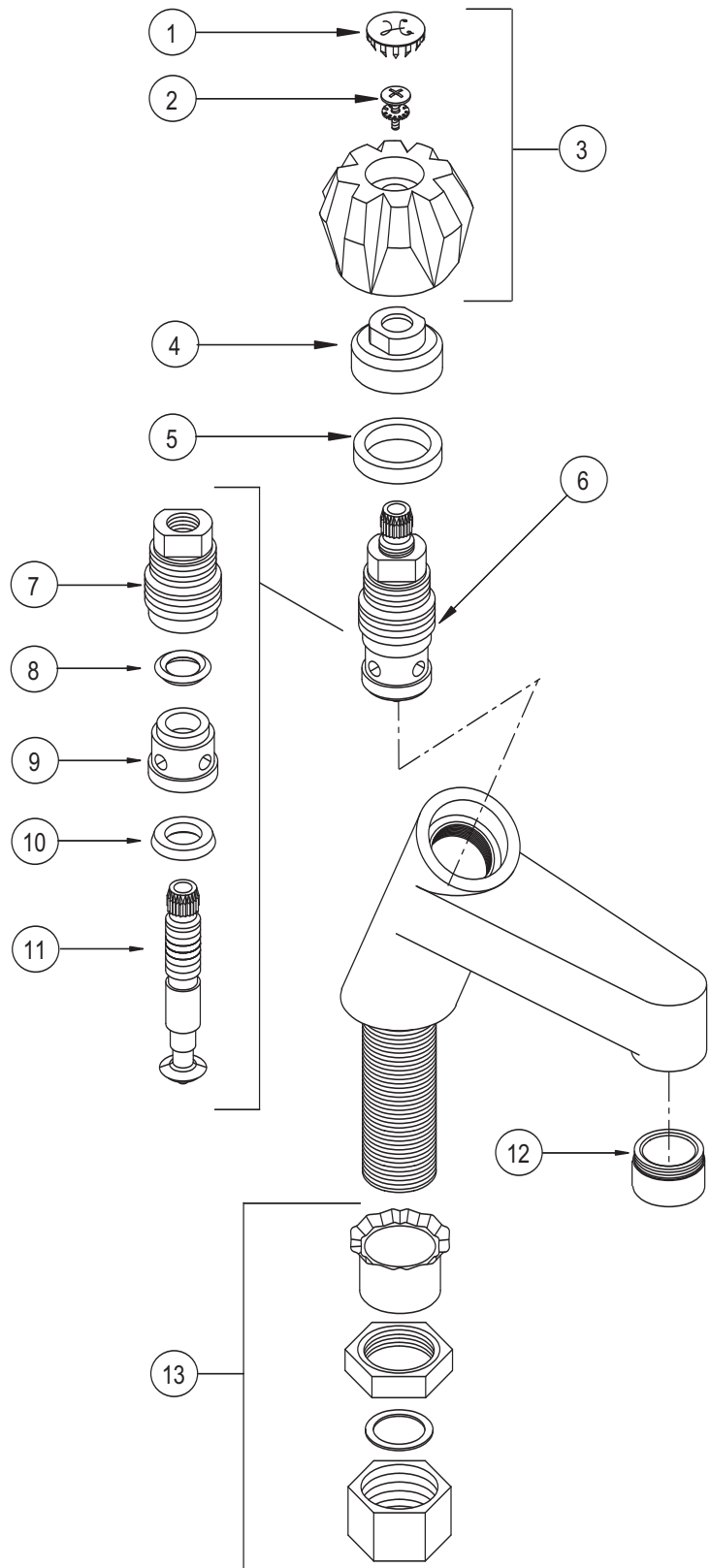
- Aerator (0.5 GPM, 1.9 L/min) **A5**
- Laminar Flow Outlet (2.0 GPM, 7.6 L/min) **LF**
- Spray Face (2.0 GPM, 7.6 L/min) **SF**
- Vandal Resistant Aerator (0.5 GPM, 1.9 L/min) **V5**
- Vandal Resistant Aerator (2.0 GPM, 7.6 L/min) **VA**
- Vandal Resistant Laminar Flow (2.0 GPM, 7.6 L/min) **VF**

**Additional Options**

- SC** Self Closing Cartridge
- VH** Vandal Resistant Handle
- QT** Quarter Turn Cartridge
- GD** 1-1/4" Grid Drain (P3902)
- OG** 1-1/4" Offset Grid Drain (P3906)

#	Description	Part #*
1	Button, Cold	039290-BP5
	Button, Hot	039289-BP5
2	Screw	039327-BP25
3	Acrylic Handle Assy., Cold	039287
	Acrylic Handle Assy., Hot	039288
4	Locknut	039028-BP10
5	O-Ring	039035-BP10
6	Cartridge	039038-BP5
7	Centrepiece	039032-BP5
8	O-Ring	039034-BP10
9	Sleeve	039033-BP10
10	Seat Ring	039039-BP10
11	Stem	039030-BP10
12	Aerator	300911
13	Hardware Kit	039551

\*BPx denotes the bulk pack quantity



# P1815 Lavatory Fitting, Single Shank



**P1815 Specification:** Commercial grade single shank lavatory supply fitting includes colour indexed vandal resistant metal handle, metering cartridge and a 2.0 GPM (7.6 L/min) aerator. Heavy duty cast brass body has a resilient polished chrome plated finish. Includes 4" chromed cover plate. Time adjustable from 1 - 20 sec.

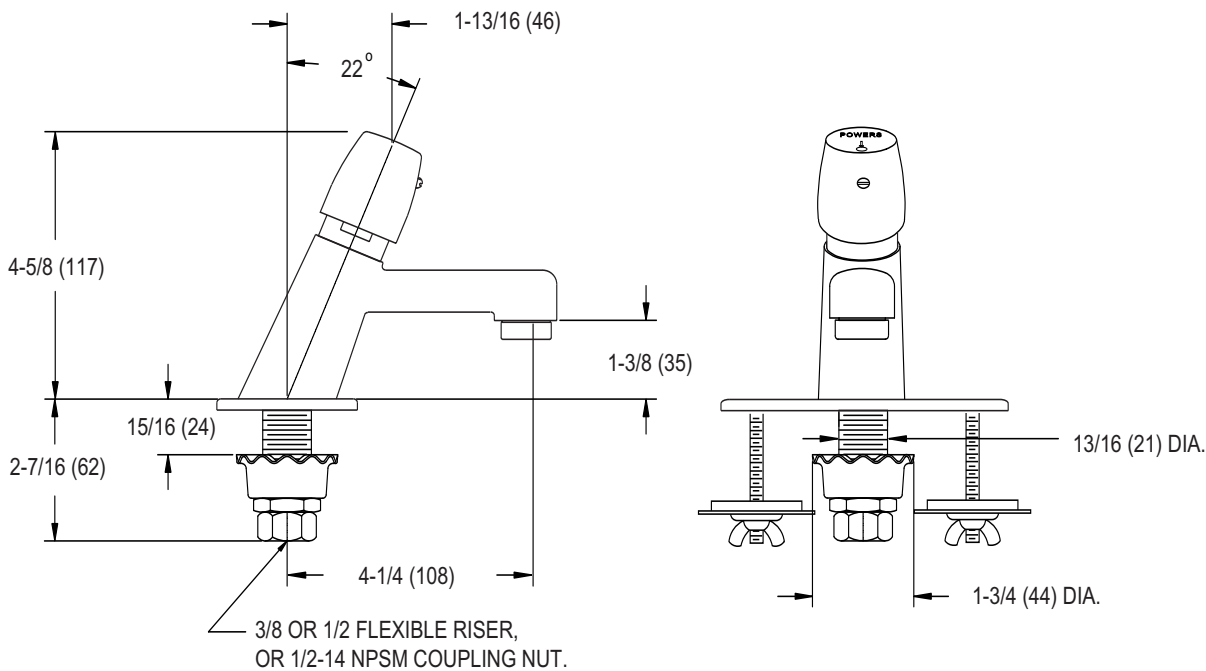
**Maximum Operating Pressure Rating** ..... 125 PSI (860 KPa)

**Maximum Operating Temperature Rating** ..... 65 C (150 F)

**Shipping Weight** ..... 2.5 Lbs (1.2 Kg)



**P1815 Model Shown**



*Dimensions shown in inches (mm) are for reference only and are subject to change.*

**Ordering Code:**

**P1815 - -**

**Outlet Options**

- Aerator (0.5 GPM, 1.9 L/min) **A5**
- Laminar Flow Outlet (2.0 GPM, 7.6 L/min) **LF**
- Spray Face (2.0 GPM, 7.6 L/min) **SF**
- Vandal Resistant Aerator (0.5 GPM, 1.9 L/min) **V5**
- Vandal Resistant Aerator (2.0 GPM, 7.6 L/min) **VA**
- Vandal Resistant Laminar Flow (2.0 GPM, 7.6 L/min) **VF**

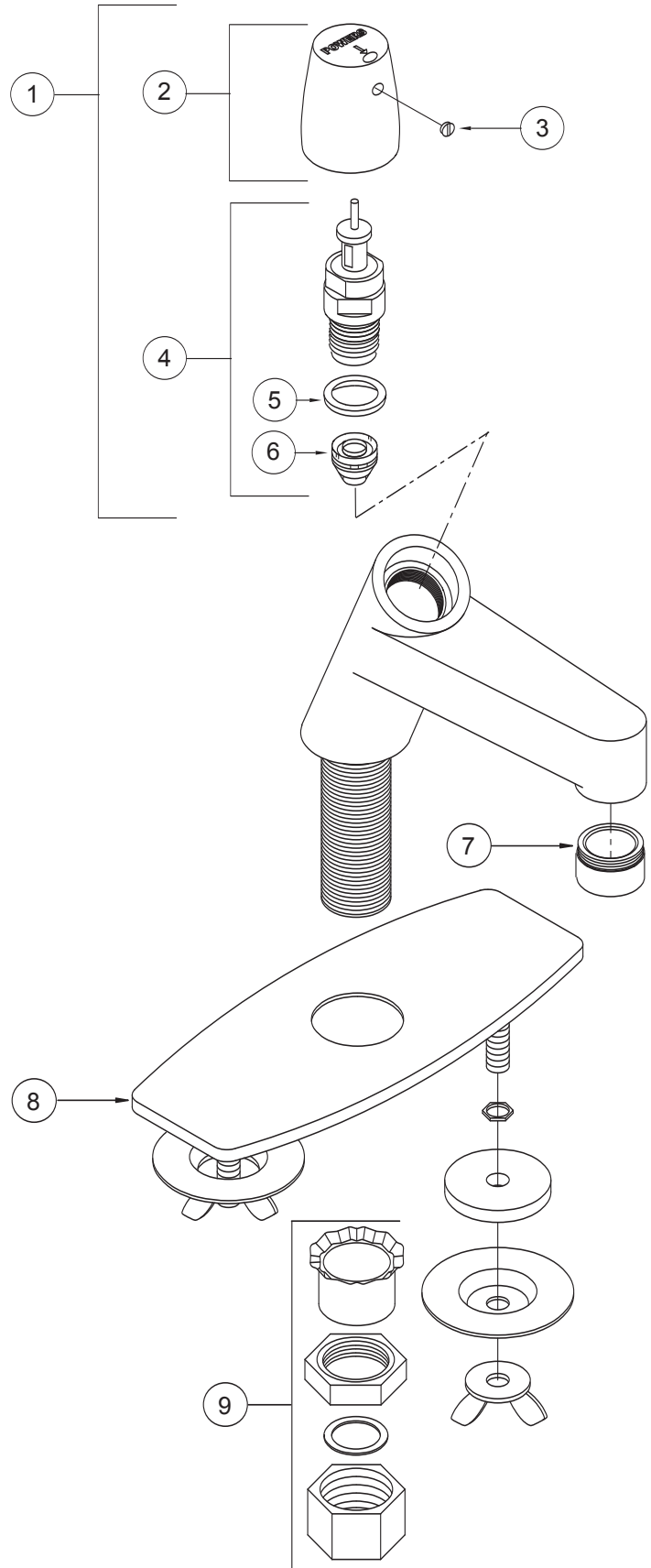
**Additional Options**

- GD** 1-1/4" Grid Drain (P3902)
- OG** 1-1/4" Offset Grid Drain (P3906)



#	Description	Part #*
1	Cartridge / Handle Kit	675-031
2	Handle Kit	675-026
3	Handle Button Kit (Red, Blue)	675-032
4	Cartridge Kit	675-036
5	O-Ring	084-025
6	Diaphragm / Filter	675-028
7	Aerator	300911
8	4" Cover Plate	P2723
9	Hardware Kit	039551
10	Filter Wrench (Not Shown)	675035-BP5

\*BPx denotes the bulk pack quantity



# P1820 Lavatory Fitting, Single Shank



**P1820 Specification:** Commercial grade single shank lavatory supply fitting includes indexed hooded lever metal handle, Dial-ese® cartridge and a 2.0 GPM (7.6 L/min) aerator. Heavy duty cast brass body has a resilient polished chrome plated finish and 1/2"-14 NPSM threaded inlet.

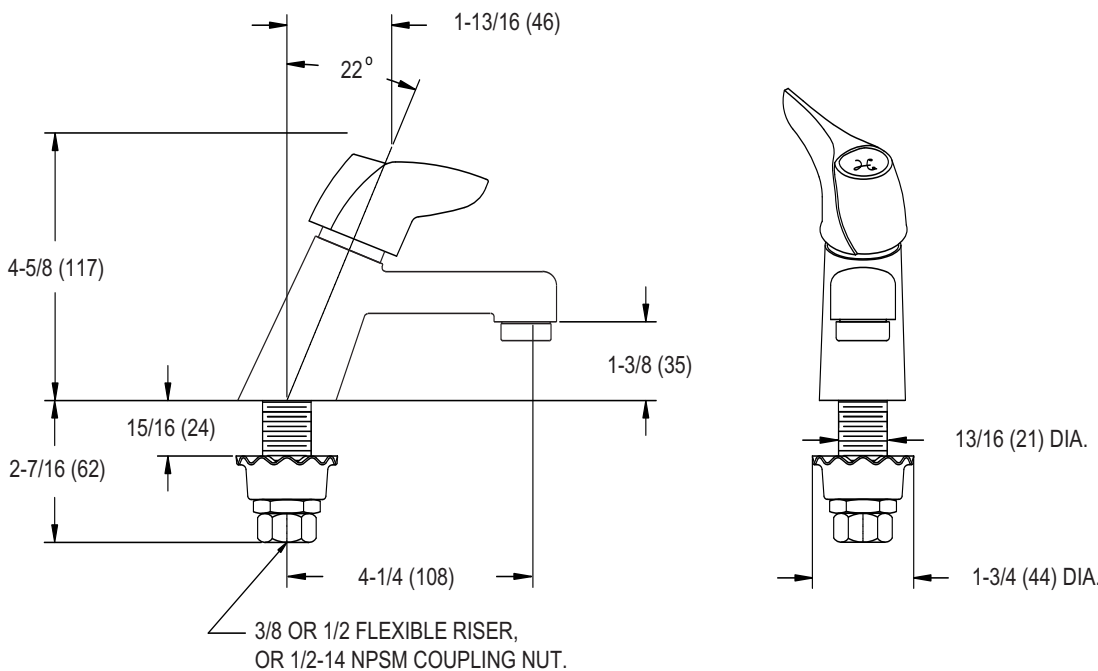
**Maximum Operating Pressure Rating** ..... 125 PSI (860 KPa)

**Maximum Operating Temperature Rating** ..... 65 C (150 F)

**Shipping Weight** ..... 3.0 Lbs (1.4 Kg)



**P1820 Model Shown**



*Dimensions shown in inches (mm) are for reference only and are subject to change.*

**Ordering Code:**

**P1820 - - -**

**Outlet Options**

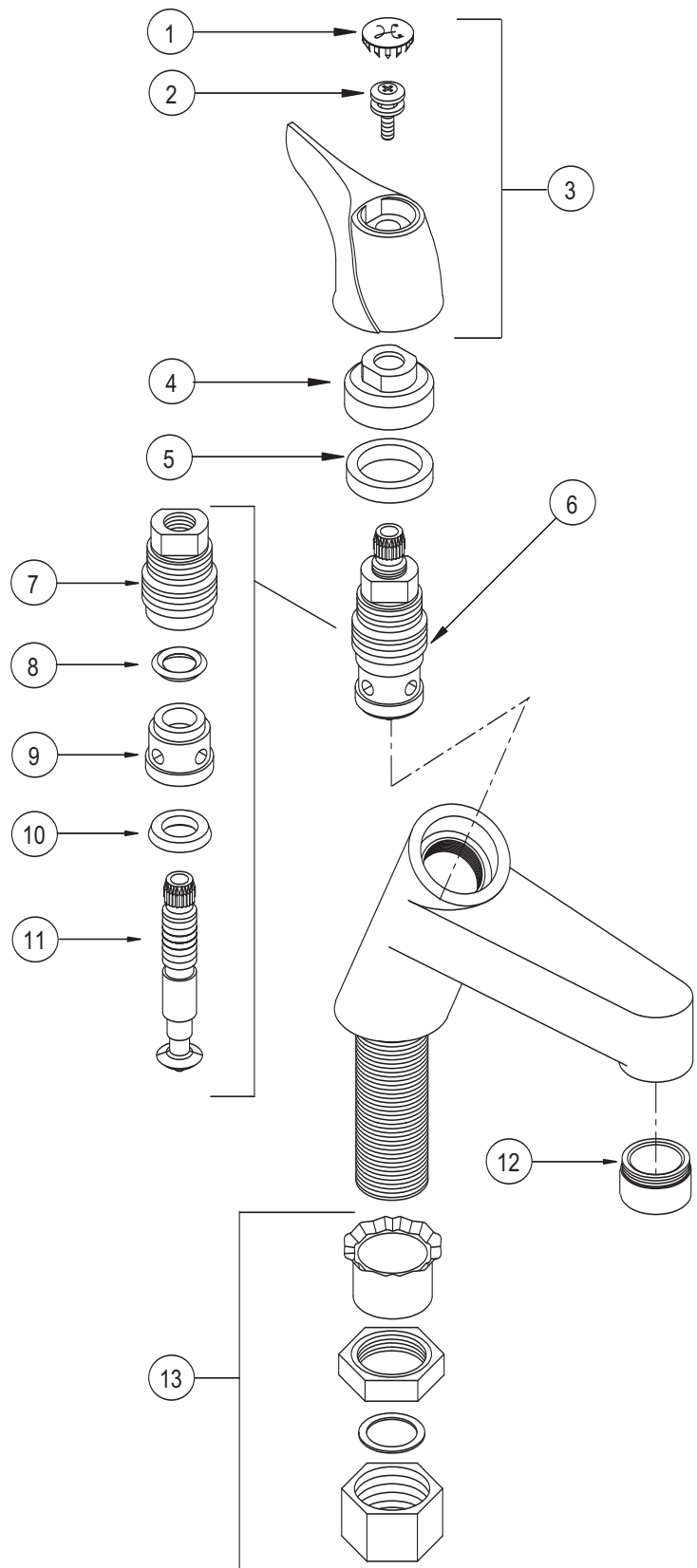
- Aerator (0.5 GPM, 1.9 L/min) **A5**
- Laminar Flow Outlet (2.0 GPM, 7.6 L/min) **LF**
- Spray Face (2.0 GPM, 7.6 L/min) **SF**
- Vandal Resistant Aerator (0.5 GPM, 1.9 L/min) **V5**
- Vandal Resistant Aerator (2.0 GPM, 7.6 L/min) **VA**
- Vandal Resistant Laminar Flow (2.0 GPM, 7.6 L/min) **VF**

**Additional Options**

- SC** Self Closing Cartridge
- VH** Vandal Resistant Handle
- QT** Quarter Turn Cartridge
- GD** 1-1/4" Grid Drain (P3902)
- OG** 1-1/4" Offset Grid Drain (P3906)

#	Description	Part #*
1	Button, Cold	039293-BP5
	Button, Hot	039294-BP5
2	Screw	039328-BP25
3	Lever Handle Assy., Cold	039292
	Lever Handle Assy., Hot	039291
4	Locknut	039028-BP10
5	O-Ring	039035-BP10
6	Cartridge	039038-BP5
7	Centrepiece	039032-BP5
8	O-Ring	039034-BP10
9	Sleeve	039033-BP10
10	Seat Ring	039039-BP10
11	Stem	039030-BP10
12	Aerator	300911
13	Hardware Kit	039551

\*BPx denotes the bulk pack quantity



# P1830 Lavatory Fitting, Single Shank



**P1830 Specification:** Commercial grade single shank lavatory supply fitting includes colour indexed 3" (76 mm) metal blade handle, Dial-ese® cartridge and a 2.0 GPM (7.6 L/min) aerator. Heavy duty cast brass body has a resilient polished chrome plated finish and 1/2"-14 NPSM threaded inlet.

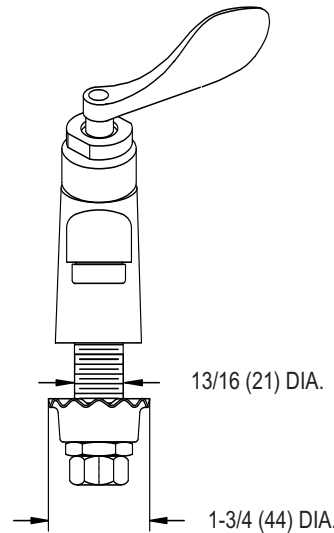
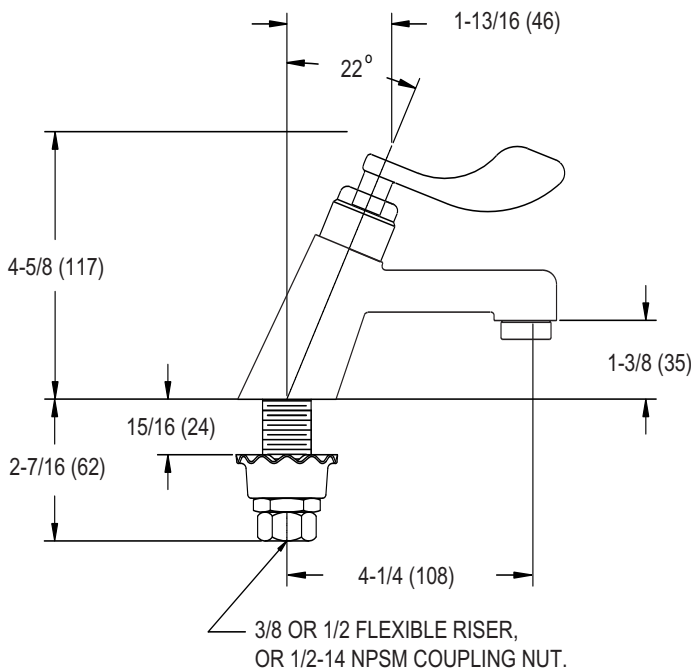
**Maximum Operating Pressure Rating** ..... 125 PSI (860 KPa)

**Maximum Operating Temperature Rating** ..... 65 C (150 F)

**Shipping Weight** ..... 3.0 Lbs (1.4 Kg)



**P1830 Model Shown**



Dimensions shown in inches (mm) are for reference only and are subject to change.



**Ordering Code:**

**P1830 - - -**

**Outlet Options**

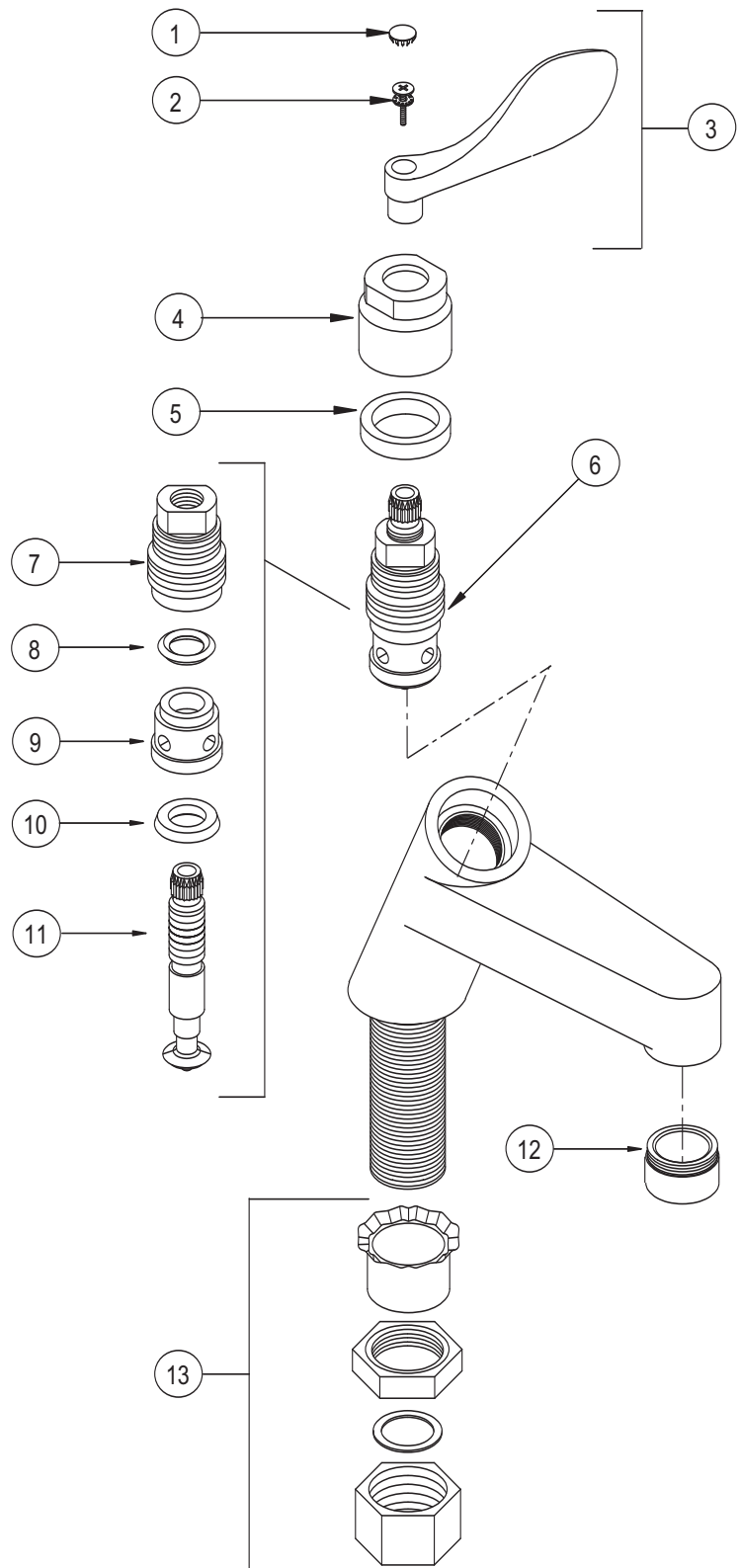
- Aerator (0.5 GPM, 1.9 L/min) **A5**
- Laminar Flow Outlet (2.0 GPM, 7.6 L/min) **LF**
- Spray Face (2.0 GPM, 7.6 L/min) **SF**
- Vandal Resistant Aerator (0.5 GPM, 1.9 L/min) **V5**
- Vandal Resistant Aerator (2.0 GPM, 7.6 L/min) **VA**
- Vandal Resistant Laminar Flow (2.0 GPM, 7.6 L/min) **VF**

**Additional Options**

- SC** Self Closing Cartridge
- VH** Vandal Resistant Handle
- QT** Quarter Turn Cartridge
- GD** 1-1/4" Grid Drain (P3902)
- OG** 1-1/4" Offset Grid Drain (P3906)

#	Description	Part #*
1	Button, Blue	039298-BP5
	Button, Red	039297-BP5
2	Screw	039328-BP25
3	3" Blade Handle Assy., Blue	039296
	3" Blade Handle Assy., Red	039295
4	Locknut	300631
5	O-Ring	039035-BP10
6	Cartridge	039038-BP5
7	Centrepiece	039032-BP5
8	O-Ring	039034-BP10
9	Sleeve	039033-BP10
10	Seat Ring	039039-BP10
11	Stem	039030-BP10
12	Aerator	300911
13	Hardware Kit	039551

\*BPx denotes the bulk pack quantity



# P1850 Lavatory Fitting, Single Shank



**P1850 Specification:** Commercial grade single shank lavatory supply fitting with indexed 5-rib metal handle, Dial-ese® cartridge and a 2.0 GPM (7.6 L/min) aerator. Heavy duty cast brass body has a resilient polished chrome plated finish and 1/2"-14 NPSM threaded inlet.

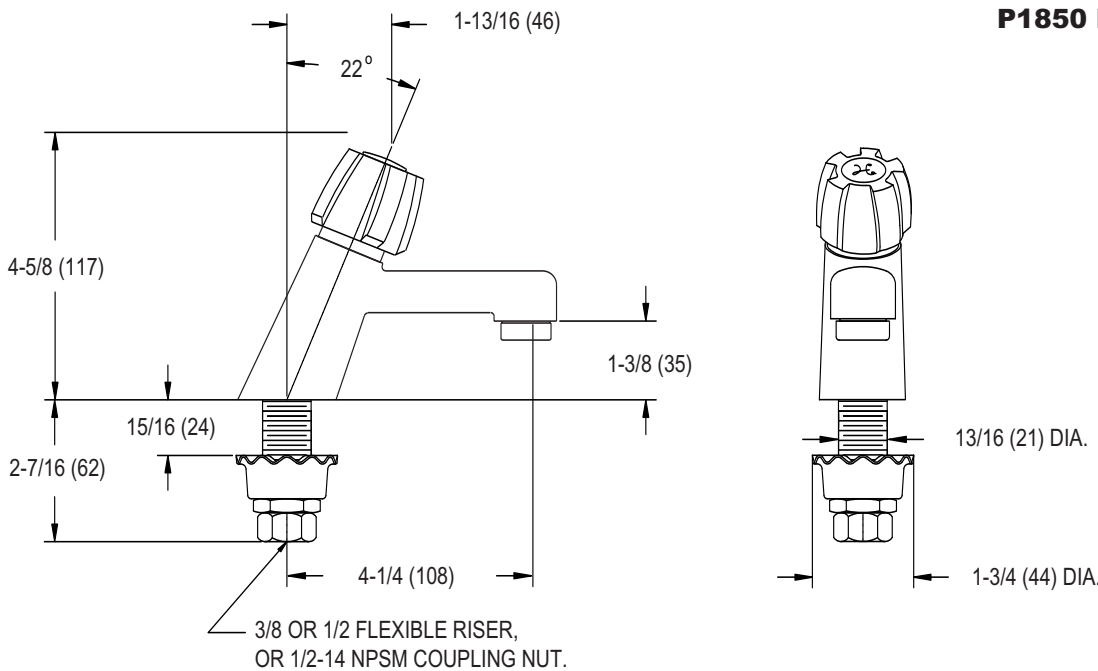
**Maximum Operating Pressure Rating** ..... 125 PSI (860 KPa)

**Maximum Operating Temperature Rating** ..... 65 C (150 F)

**Shipping Weight** ..... 3.0 Lbs (1.4 Kg)



**P1850 Model Shown**



Dimensions shown in inches (mm) are for reference only and are subject to change.



**Ordering Code:**

**P1850 - - -**

**Outlet Options**

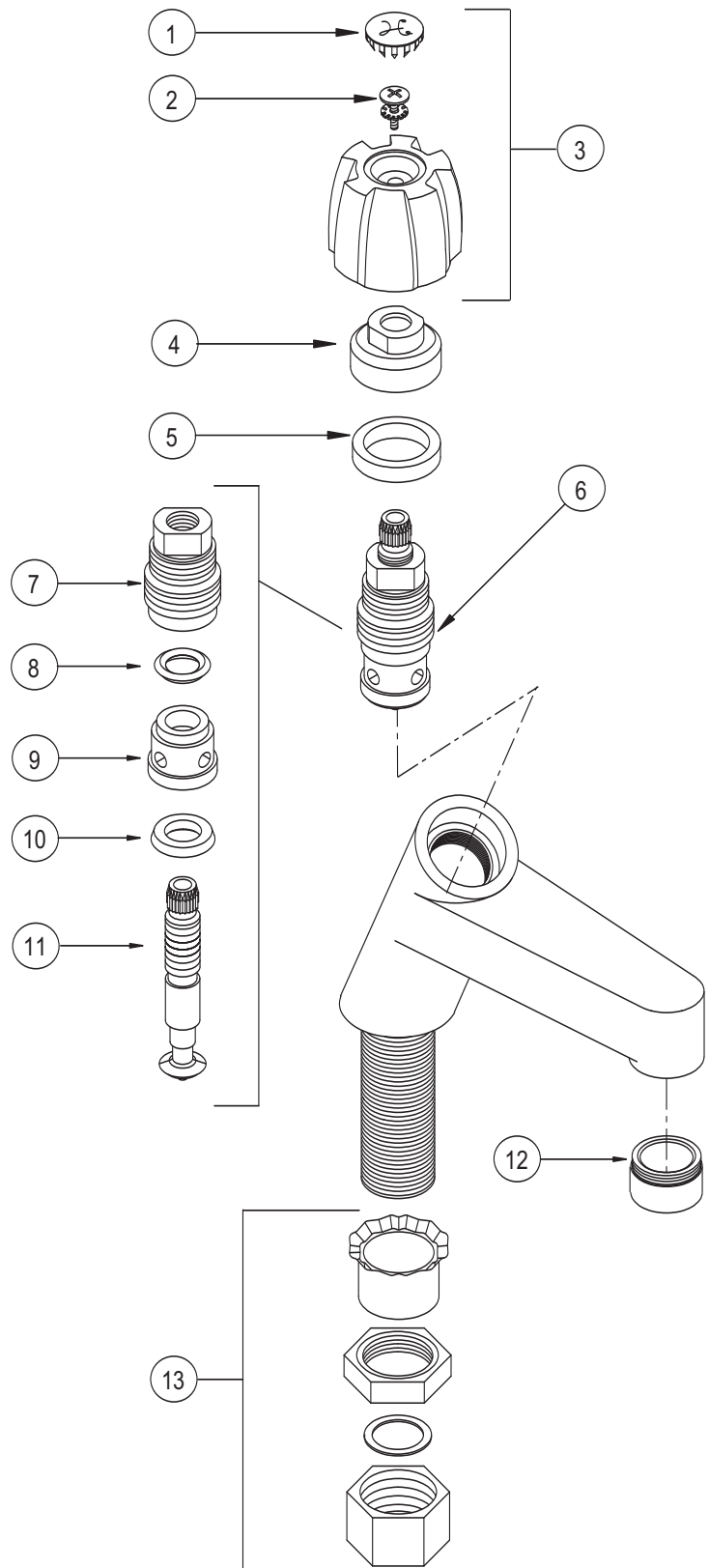
- Aerator (0.5 GPM, 1.9 L/min) **A5**
- Laminar Flow Outlet (2.0 GPM, 7.6 L/min) **LF**
- Spray Face (2.0 GPM, 7.6 L/min) **SF**
- Vandal Resistant Aerator (0.5 GPM, 1.9 L/min) **V5**
- Vandal Resistant Aerator (2.0 GPM, 7.6 L/min) **VA**
- Vandal Resistant Laminar Flow (2.0 GPM, 7.6 L/min) **VF**

**Additional Options**

- SC** Self Closing Cartridge
- VH** Vandal Resistant Handle
- QT** Quarter Turn Cartridge
- GD** 1-1/4" Grid Drain (P3902)
- OG** 1-1/4" Offset Grid Drain (P3906)

#	Description	Part #*
1	Button, Cold	039306-BP5
	Button, Hot	039305-BP5
2	Screw	039328-BP25
3	5-Rib Handle Assy., Cold	039303
	5-Rib Handle Assy., Hot	039304
4	Locknut	039028-BP10
5	O-Ring	039035-BP10
6	Cartridge	039038-BP5
7	Centrepiece	039032-BP5
8	O-Ring	039034-BP10
9	Sleeve	039033-BP10
10	Seat Ring	039039-BP10
11	Stem	039030-BP10
12	Aerator	300911
13	Hardware Kit	039551

\*BPx denotes the bulk pack quantity



# P1870 Lavatory Fitting, Single Shank



**P1870 Specification:** Commercial grade single shank lavatory supply fitting includes colour indexed metal cross handle, Dial-ese® cartridge and a 2.0 GPM (7.6 L/min) aerator. Heavy duty cast brass body has a resilient polished chrome plated finish and 1/2"-14 NPSM threaded inlet.

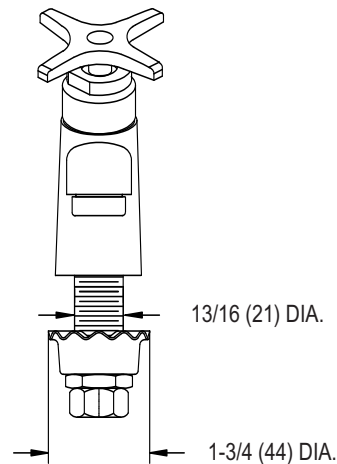
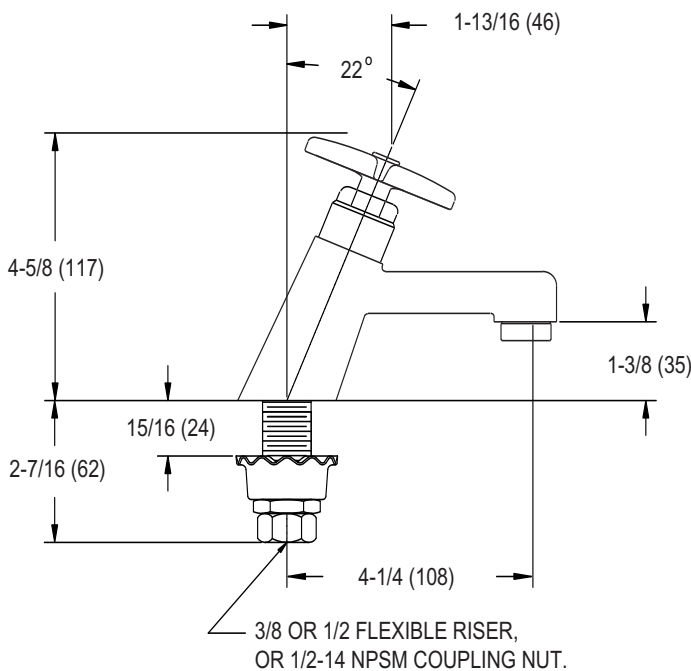
**Maximum Operating Pressure Rating** ..... 125 PSI (860 KPa)

**Maximum Operating Temperature Rating** ..... 65 C (150 F)

**Shipping Weight** ..... 3.0 Lbs (1.4 Kg)



**P1870 Model Shown**



Dimensions shown in inches (mm) are for reference only and are subject to change.



**Ordering Code:**

**P1870 - - -**

**Outlet Options**

- Aerator (0.5 GPM, 1.9 L/min) **A5**
- Laminar Flow Outlet (2.0 GPM, 7.6 L/min) **LF**
- Spray Face (2.0 GPM, 7.6 L/min) **SF**
- Vandal Resistant Aerator (0.5 GPM, 1.9 L/min) **V5**
- Vandal Resistant Aerator (2.0 GPM, 7.6 L/min) **VA**
- Vandal Resistant Laminar Flow (2.0 GPM, 7.6 L/min) **VF**

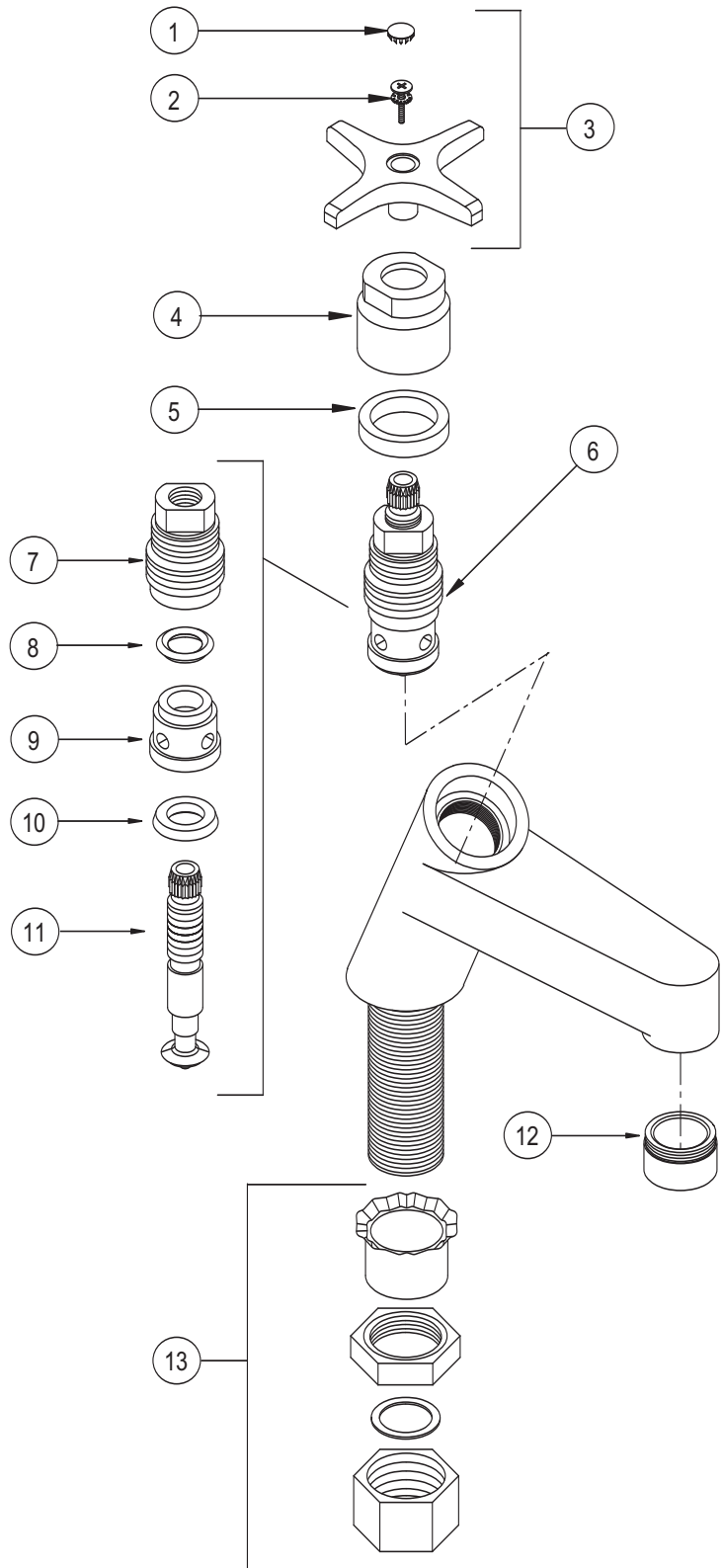
**Additional Options**

- SC** Self Closing Cartridge
- VH** Vandal Resistant Handle
- QT** Quarter Turn Cartridge
- GD** 1-1/4" Grid Drain (P3902)
- OG** 1-1/4" Offset Grid Drain (P3906)



#	Description	Part #*
1	Button, Blue	039298-BP5
	Button, Red	039297-BP5
2	Screw	039328-BP25
3	Cross Handle Assy., Blue	039313
	Cross Handle Assy., Red	039314
4	Locknut	300631
5	O-Ring	039035-BP10
6	Cartridge	039038-BP5
7	Centrepiece	039032-BP5
8	O-Ring	039034-BP10
9	Sleeve	039033-BP10
10	Seat Ring	039039-BP10
11	Stem	039030-BP10
12	Aerator	300911
13	Hardware Kit	039551

\*BPx denotes the bulk pack quantity



# P2230-RC Service Sink Fitting, Wall Mount



**P2230-RC Specification:** Commercial grade service sink fitting with colour indexed 3" metal blade handles, Dial-ese® cartridges and a 3/4" hose end outlet. Heavy duty cast brass body has a resilient rough chrome plated finish with adjustable 1/2"-14 NPT female inlets and wall flanges.

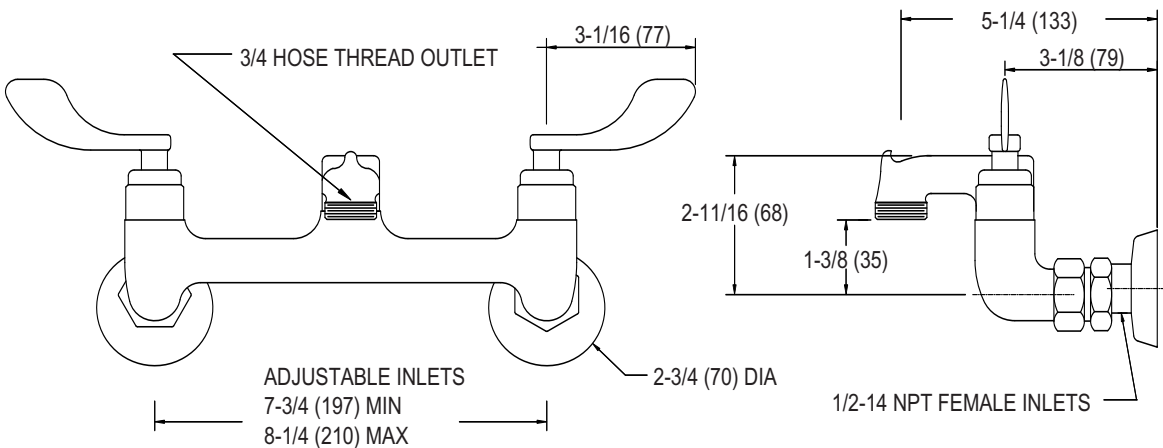


**P2230-RC Model Shown**

**Maximum Operating Pressure Rating** ..... 125 PSI (860 KPa)

**Maximum Operating Temperature Rating** ..... 65 C (150 F)

**Shipping Weight** ..... 5.2 Lbs (2.4 Kg)



*Dimensions shown in inches (mm) are for reference only and are subject to change.*

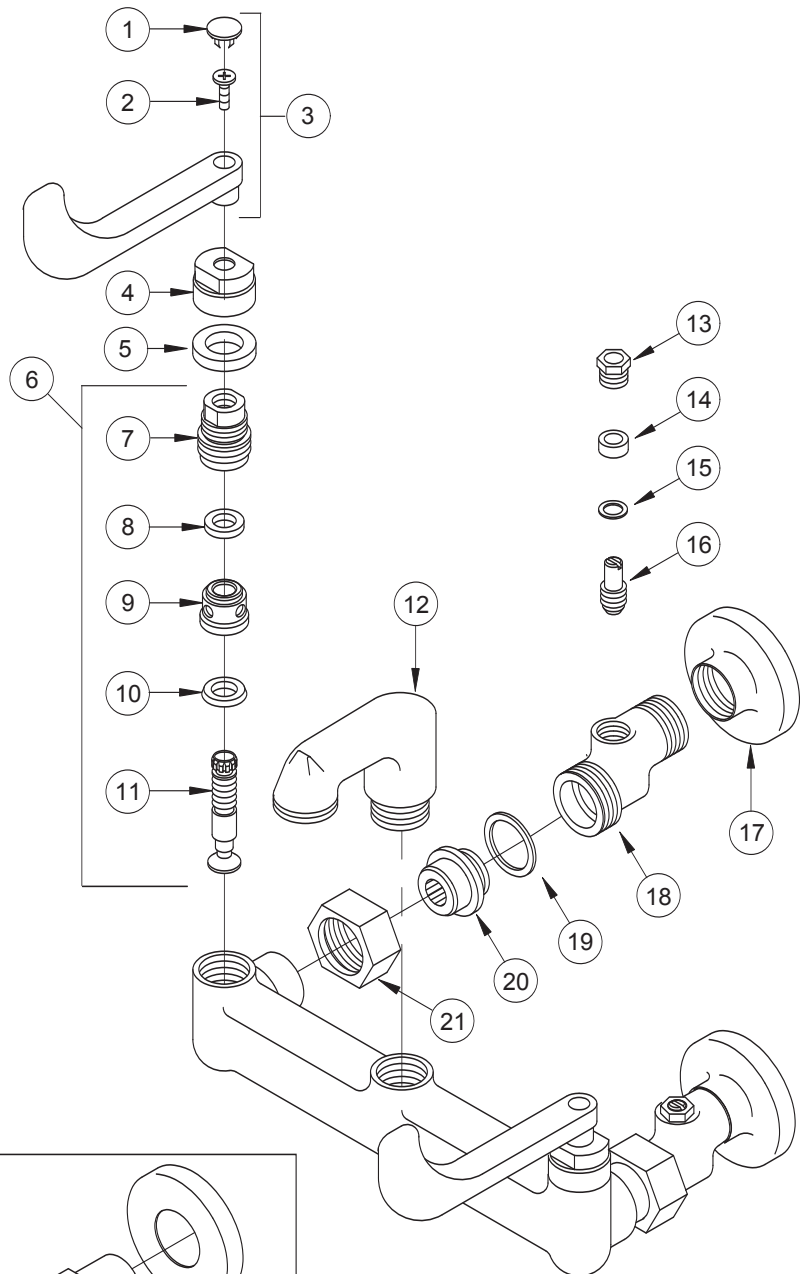
**Ordering Code:**

**P2230 - RC -**

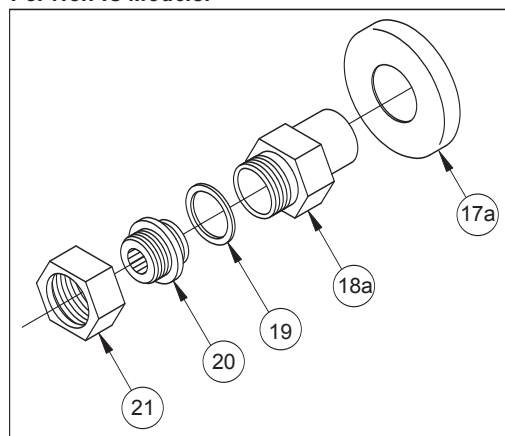
- Additional Options**
- HH** Hose and Hanger
  - IS** Integral Stops
  - QT** Quarter Turn Cartridges

#	Description	Part #*
1	Button, Blue	039298-BP5
	Button, Red	039297-BP5
2	Screw	039328-BP25
3	3" Blade Handle Assy., Blue	039296
	3" Blade Handle Assy., Red	039295
4	Locknut	300631
5	O-Ring	039035-BP10
6	LH Cartridge	039038-BP5
	RH Cartridge	039037-BP5
7	LH Centrepiece	039032-BP5
	RH Centrepiece	039031-BP5
8	O-Ring	039034-BP10
9	Sleeve	039033-BP10
10	Seat Ring	039039-BP10
11	LH Stem	039030-BP10
	RH Stem	039029-BP10
12	Spout	303734
13	Nut	303906
14	Packing	303918
15	Washer	303915
16	Stem	303569
17	Flange (-IS Model)	303912
17a	Flange (Non-IS Model)	351307
18	Shank (-IS Model)	303919
18a	Shank (Non-IS Model)	300497
19	Gasket	300499
20	Collar	300498
21	Union Nut	300500

\*BPx denotes the bulk pack quantity



**For Non-IS Models:**



# P2230-RC-VB Service Sink Fitting, With VB



**P2230-RC-VB Specification:** Commercial grade service sink fitting with colour indexed 3" metal blade handles, Dial-ese® cartridges and a 3/4" hose end outlet. Heavy duty cast brass body has a resilient rough chrome plated finish, vacuum breaker, wall flanges, and adjustable 1/2"-14 NPT female inlets.

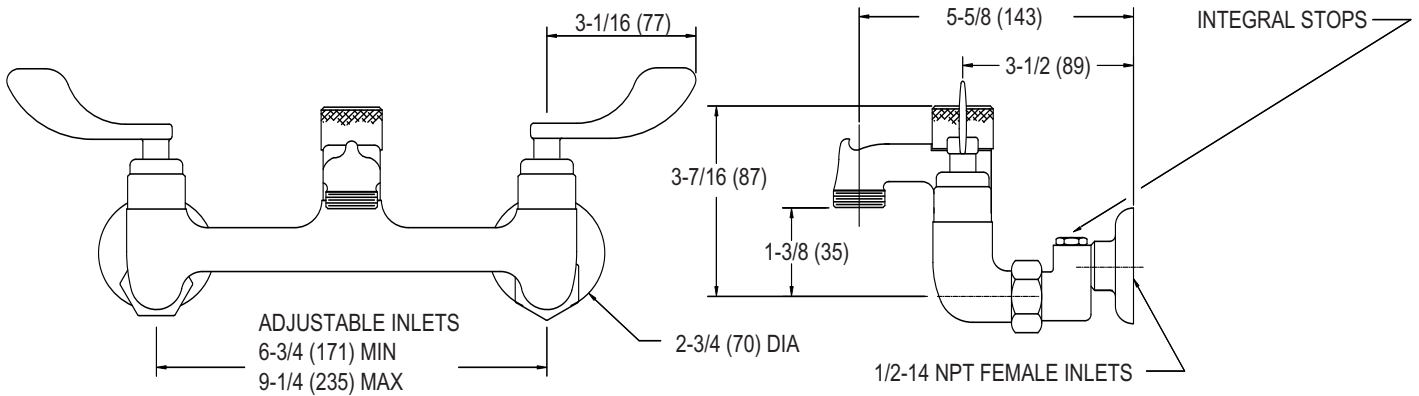


**Maximum Operating Pressure Rating** ..... 125 PSI (860 KPa)

**Maximum Operating Temperature Rating** ..... 65 C (150 F)

**Shipping Weight** ..... 5.2 Lbs (2.4 Kg)

**P2230-RC-VB Model Shown**



*Dimensions shown in inches (mm) are for reference only and are subject to change.*

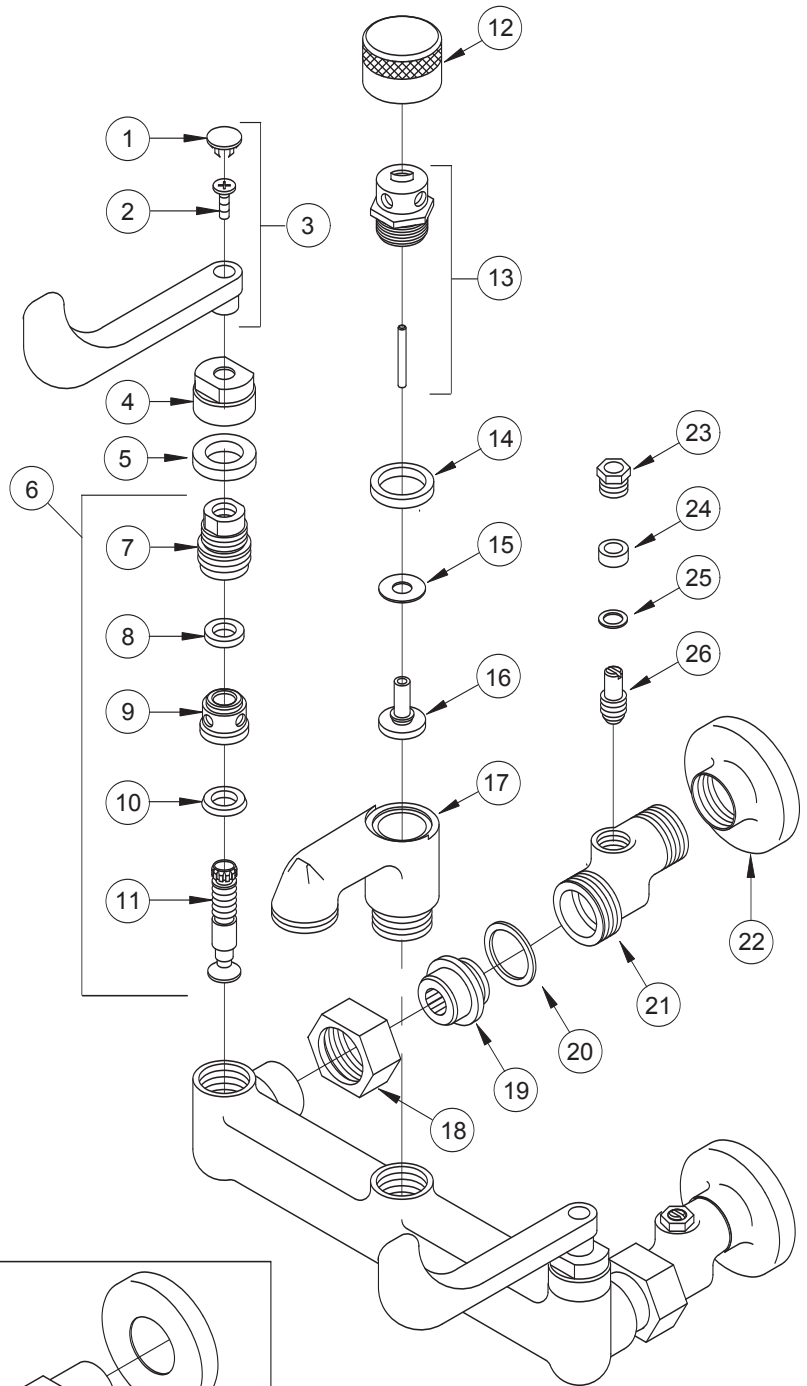
**Ordering Code:**

**P2230 - RC - VB - - -**

**Options**

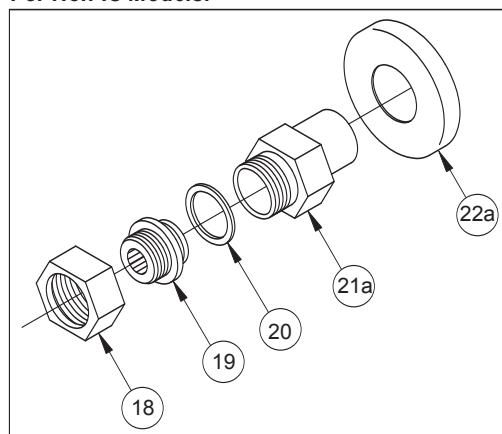


#	Description	Part #*
1	Button, Blue	039298-BP5
	Button, Red	039297-BP5
2	Screw	039328-BP25
3	3" Blade Handle Assy., Blue	039296
	3" Blade Handle Assy., Red	039295
4	Locknut	300631
5	O-Ring	039035-BP10
6	LH Cartridge	039038-BP5
	RH Cartridge	039037-BP5
7	LH Centrepiece	039032-BP5
	RH Centrepiece	039031-BP5
8	O-Ring	039034-BP10
9	Sleeve	039033-BP10
10	Seat Ring	039039-BP10
11	LH Stem	039030-BP10
	RH Stem	039029-BP10
12	Cap	303907
13	Body And Guide	355913
14	Gasket	300121
15	Washer	303916
16	Sleeve	303911
17	Spout	303735
18	Union Nut	300500
19	Collar	300498
20	Gasket	300499
21	Shank (-IS Model)	303919
21a	Shank (Non-IS Model)	300497
22	Flange (-IS Model)	303912
22a	Flange (Non-IS Model)	351307
23	Nut	303906
24	Packing	303918
25	Washer	303915
26	Stem	303569



\*BPx denotes the bulk pack quantity

**For Non-IS Models:**



# P2330 Service Sink Fitting, Bottom Brace



**P2330 Specification:** Commercial grade service sink fitting with colour indexed 3" metal blade handles, Dial-ese® cartridges and a 2.0 GPM (7.6 L/min) aerator. Heavy duty cast brass body has a resilient polished chrome plated finish and 1/2"-14 NPT female inlets. Includes integral stops, pail hook, bottom brace, and adjustable inlet centres from 5" (127mm) to 11" (279mm).

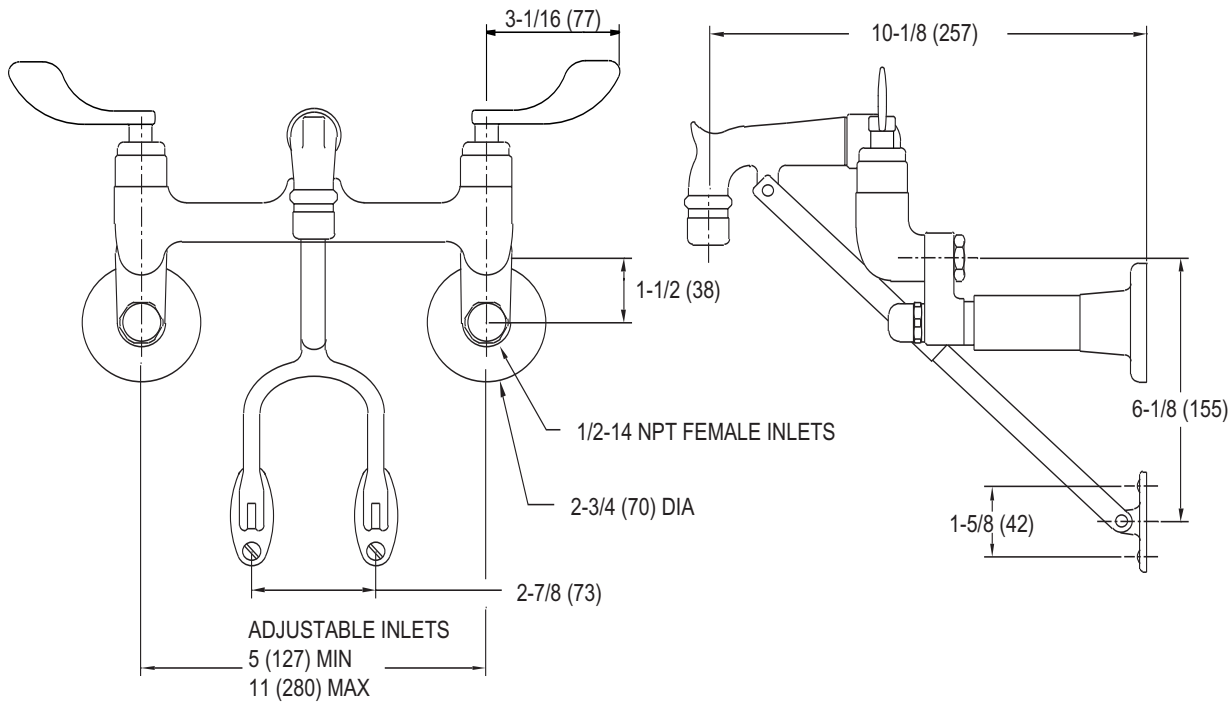
**Maximum Operating Pressure Rating** ..... 125 PSI (860 KPa)

**Maximum Operating Temperature Rating** ..... 65 C (150 F)

**Shipping Weight** ..... 7.5 Lbs (3.4 Kg)



**P2330 Model Shown**



*Dimensions shown in inches (mm) are for reference only and are subject to change.*

**Ordering Code:**

**P2330 - -**

**Outlet Options**

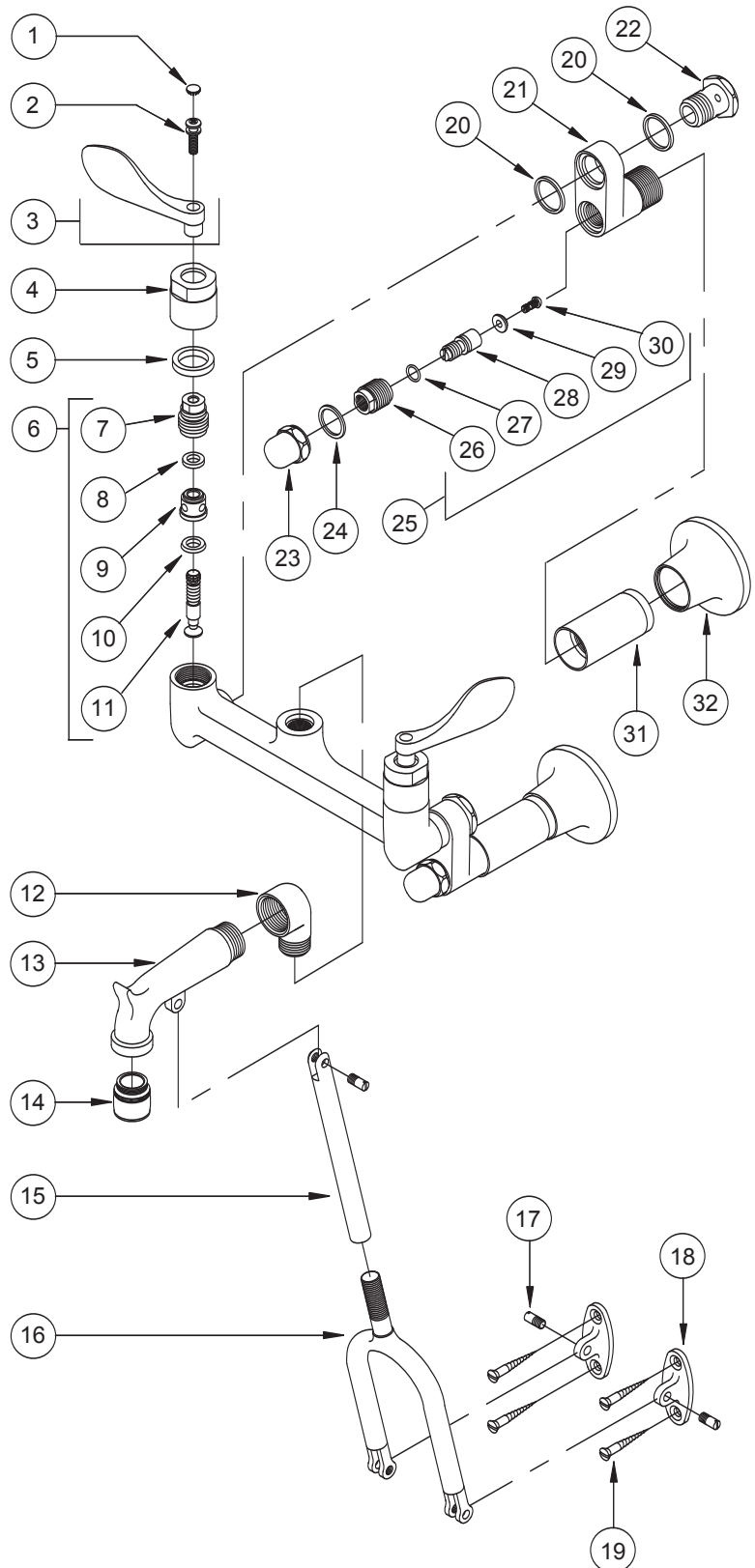
- Aerator (0.5 GPM, 1.9 L/min) **A5**
- Laminar Flow Outlet (2.0 GPM, 7.6 L/min) **LF**
- Spray Face (2.0 GPM, 7.6 L/min) **SF**
- Vandal Resistant Aerator (0.5 GPM, 1.9 L/min) **V5**
- Vandal Resistant Aerator (2.0 GPM, 7.6 L/min) **VA**
- Vandal Resistant Laminar Flow (2.0 GPM, 7.6 L/min) **VF**

**Additional Options**

- VH** Vandal Resistant Handles
- SC** Self Closing Cartridges
- QT** Quarter Turn Cartridges

#	Description	Part #*
1	Button, Blue	039298-BP5
	Button, Red	039297-BP5
2	Screw	039328-BP25
3	3" Blade Handle Assy., Blue	039296
	3" Blade Handle Assy., Red	039295
4	Locknut	300631
5	O-Ring	039035-BP10
6	LH Cartridge	039038-BP5
	RH Cartridge	039037-BP5
7	LH Centrepiece	039032-BP5
	RH Centrepiece	039031-BP5
8	O-Ring	039034-BP10
9	Sleeve	039033-BP10
10	Seat Ring	039039-BP10
11	LH Stem	039030-BP10
	RH Stem	039029-BP10
12	Elbow	300683
13	Spout	300684
14	Aerator	300259
15	Brace	300685
16	Forked Bracket	300681
17	Screw	300677
18	Wall Plate	300665
19	Screw	300664
20	Gasket	300670
21	Shank	301047
22	Shank Connector	300671
23	Cap	300673
24	Gasket	300674
25	Cartridge	356229
26	Centrepiece	301042
27	O-Ring	301045
28	Stem	301043
29	Disc	301044
30	Screw	301046
31	Sleeve	309342
32	Flange	309343

\*BPx denotes the bulk pack quantity



# P2340 Service Sink Fitting, Bottom Brace



**P2340 Specification:** Commercial grade service sink fitting with colour indexed 4-1/2" metal blade handles, Dial-ese® cartridges and a 2.0 GPM (7.6 L/min) aerator. Heavy duty cast brass body has a resilient polished chrome plated finish and 1/2"-14 NPT female inlets. Includes integral stops, pail hook, bottom brace, and adjustable inlet centres from 5" (127mm) to 11" (279mm).

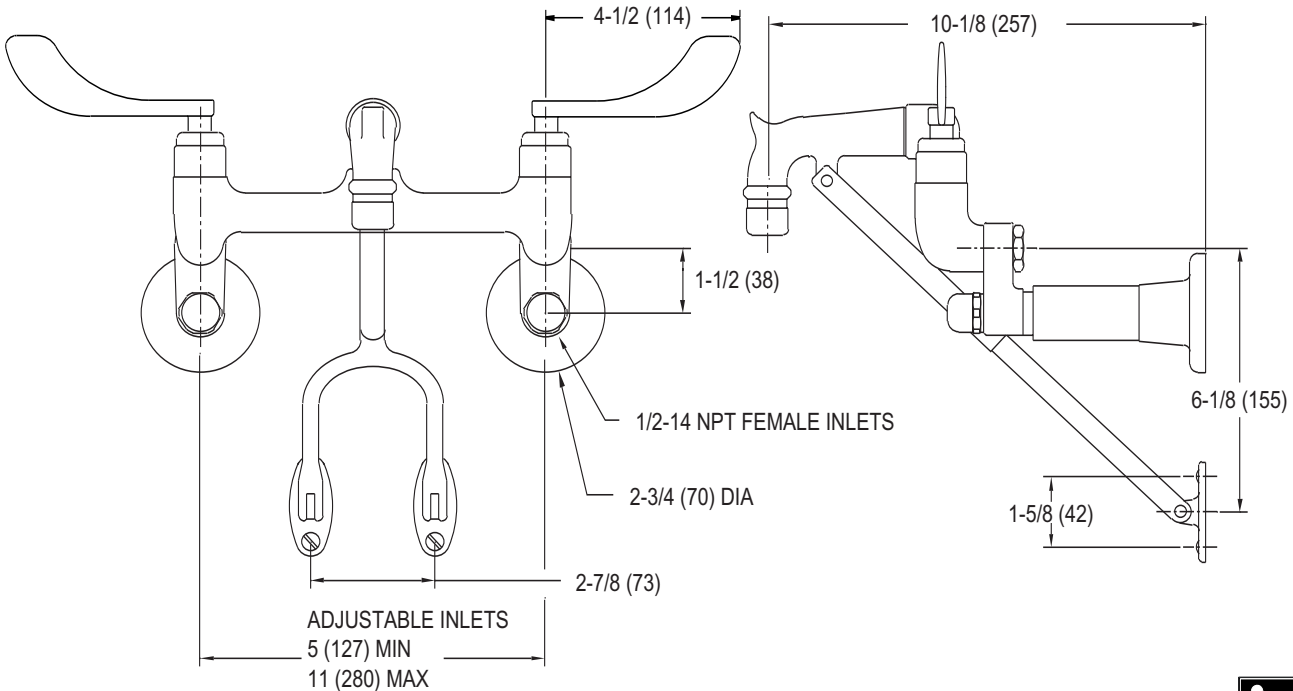


**Maximum Operating Pressure Rating** ..... 125 PSI (860 KPa)

**Maximum Operating Temperature Rating** ..... 65 C (150 F)

**Shipping Weight** ..... 7.5 Lbs (3.4 Kg)

**P2340 Model Shown**



*Dimensions shown in inches (mm) are for reference only and are subject to change.*

**Ordering Code:**

**P2340 - -**

**Outlet Options**

- Aerator (0.5 GPM, 1.9 L/min) **A5**
- Laminar Flow Outlet (2.0 GPM, 7.6 L/min) **LF**
- Spray Face (2.0 GPM, 7.6 L/min) **SF**
- Vandal Resistant Aerator (0.5 GPM, 1.9 L/min) **V5**
- Vandal Resistant Aerator (2.0 GPM, 7.6 L/min) **VA**
- Vandal Resistant Laminar Flow (2.0 GPM, 7.6 L/min) **VF**

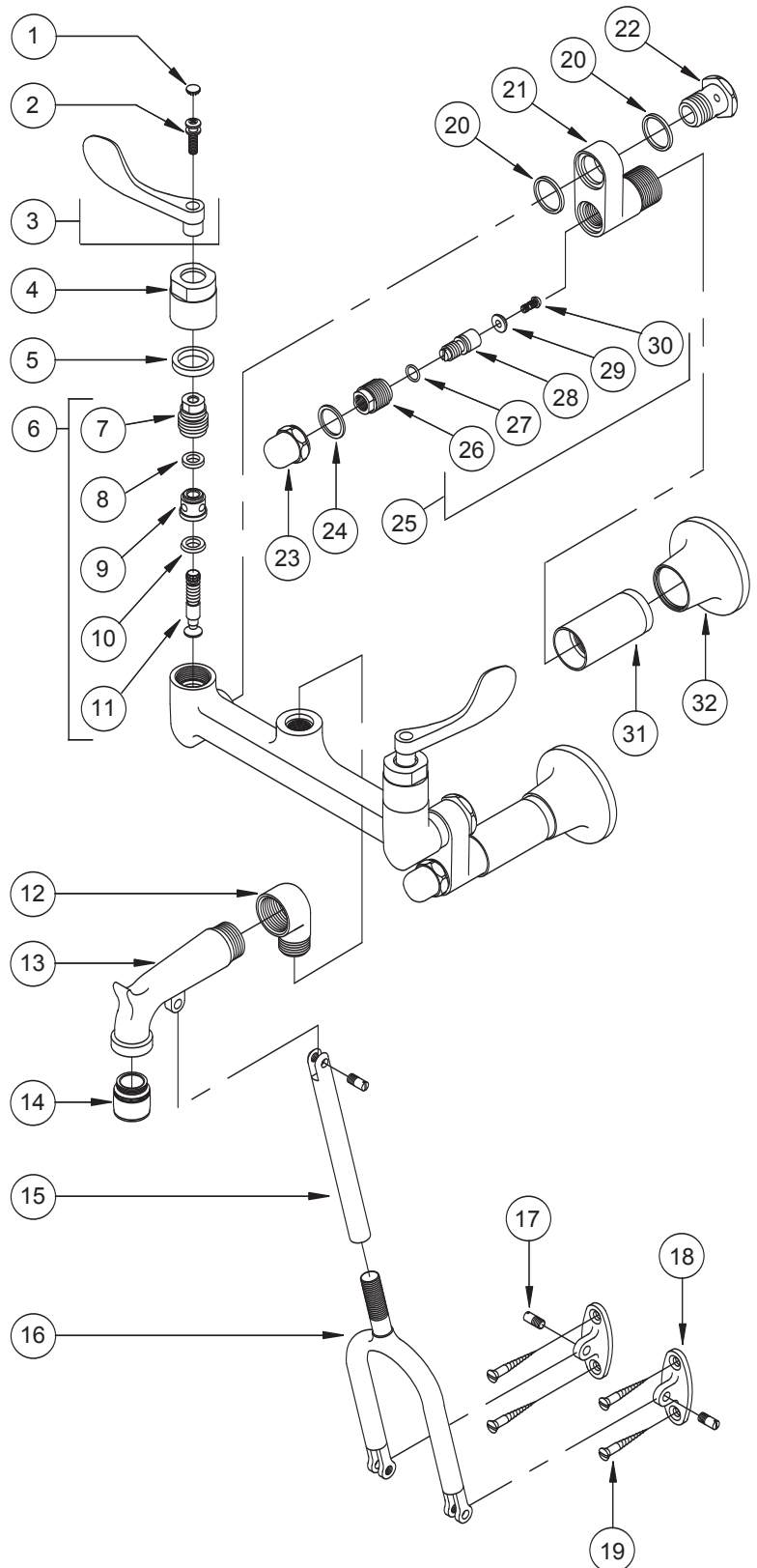
**Additional Options**

- VH** Vandal Resistant Handles
- SC** Self Closing Cartridges
- QT** Quarter Turn Cartridges



#	Description	Part #*
1	Button, Blue	039298-BP5
	Button, Red	039297-BP5
2	Screw	039328-BP25
3	4-1/2" Blade Handle Assy., Blue	039300
	4-1/2" Blade Handle Assy., Red	039299
4	Locknut	300631
5	O-Ring	039035-BP10
6	LH Cartridge	039038-BP5
	RH Cartridge	039039-BP5
7	LH Centrepiece	039032-BP5
	RH Centrepiece	039031-BP5
8	O-Ring	039034-BP10
9	Sleeve	039033-BP10
10	Seat Ring	039039-BP10
11	LH Stem	039030-BP10
	RH Stem	039029-BP10
12	Elbow	300683
13	Spout	300684
14	Aerator	300259
15	Brace	300685
16	Forked Bracket	300681
17	Screw	300677
18	Wall Plate	300665
19	Screw	300664
20	Gasket	300670
21	Shank	301047
22	Shank Connector	300671
23	Cap	300673
24	Gasket	300674
25	Cartridge	356229
26	Centrepiece	301042
27	O-Ring	301045
28	Stem	301043
29	Disc	301044
30	Screw	301046
31	Sleeve	309342
32	Flange	309343

\*BPx denotes the bulk pack quantity



# P2360 Service Sink Fitting, Bottom Brace



**P2360 Specification:** Commercial grade service sink fitting with colour indexed 6" metal blade handles, Dial-ese® cartridges and a 2.0 GPM (7.6 L/min) aerator. Heavy duty cast brass body has a resilient polished chrome plated finish and 1/2"-14 NPT female inlets. Includes integral stops, pail hook, bottom brace, and adjustable centres from 5" (127mm) to 11" (279mm).

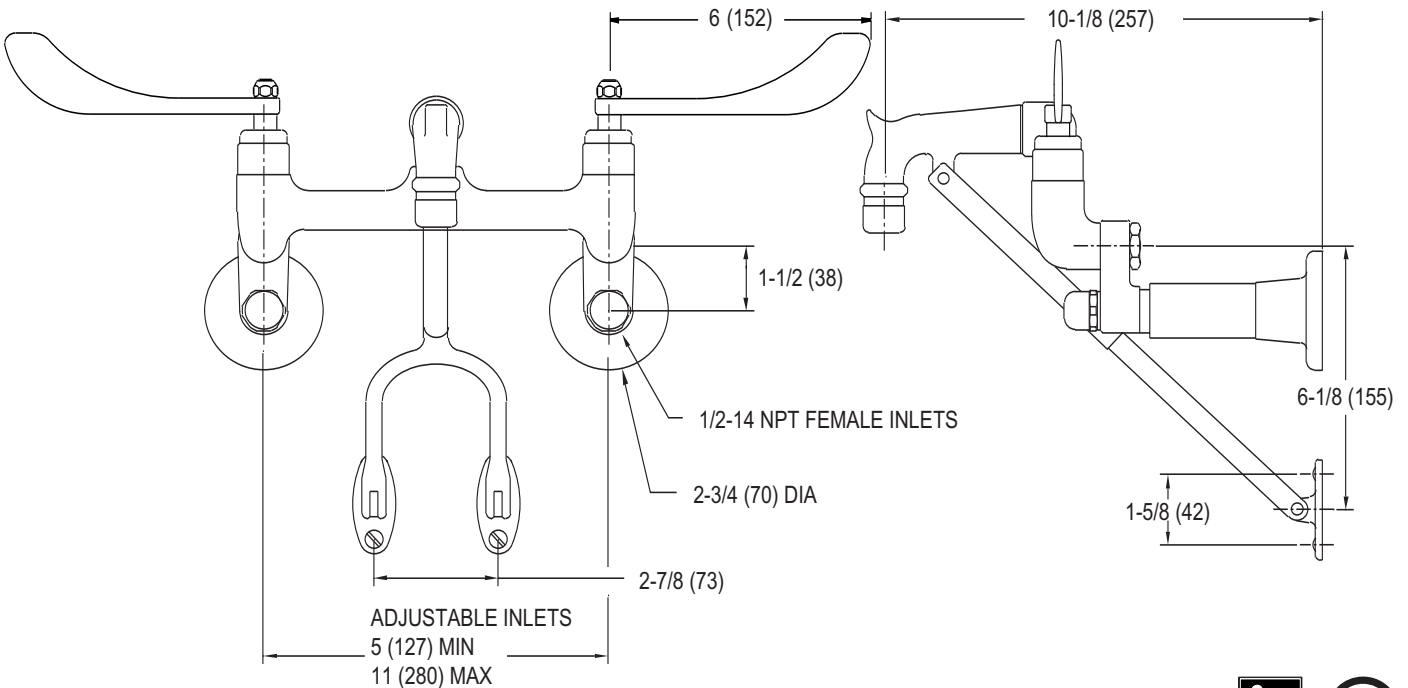
**Maximum Operating Pressure Rating** ..... 125 PSI (860 KPa)

**Maximum Operating Temperature Rating** ..... 65 C (150 F)

**Shipping Weight** ..... 7.5 Lbs (3.4 Kg)



**P2360 Model Shown**



*Dimensions shown in inches (mm) are for reference only and are subject to change.*

**Ordering Code:**

**P2360 - -**

**Outlet Options**

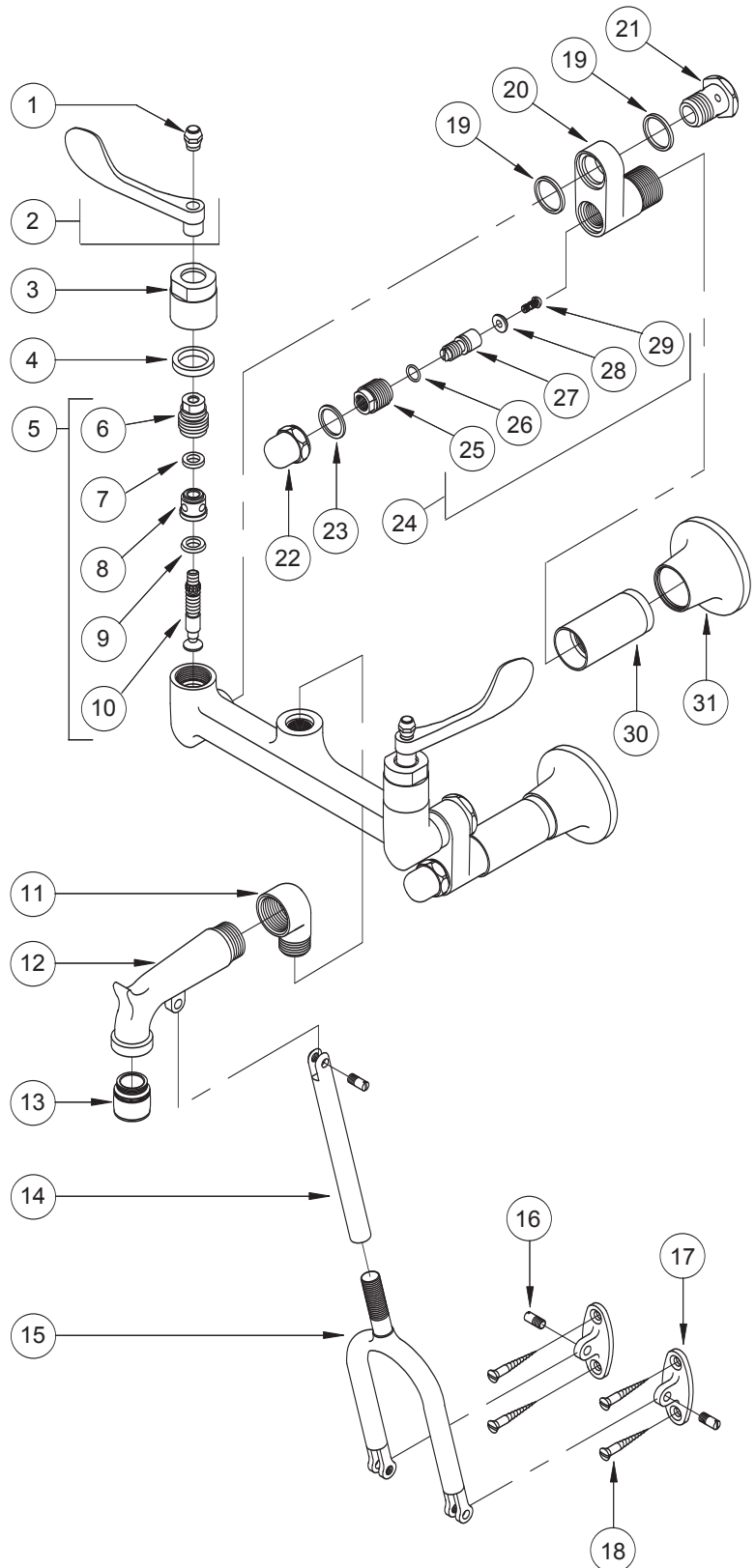
- Aerator (0.5 GPM, 1.9 L/min) **A5**
- Laminar Flow Outlet (2.0 GPM, 7.6 L/min) **LF**
- Spray Face (2.0 GPM, 7.6 L/min) **SF**
- Vandal Resistant Aerator (0.5 GPM, 1.9 L/min) **V5**
- Vandal Resistant Aerator (2.0 GPM, 7.6 L/min) **VA**
- Vandal Resistant Laminar Flow (2.0 GPM, 7.6 L/min) **VF**

**Additional Options**

- QT** Quarter Turn Cartridges

#	Description	Part #*
1	Cap Nut, Blue	039302-BP5
	Cap Nut, Red	039301-BP5
2	6" Blade Handle Assy., Blue	039319
	6" Blade Handle Assy., Red	039320
3	Locknut	300631
4	O-Ring	039035-BP10
5	LH Cartridge	039064-BP5
	RH Cartridge	039065-BP5
6	LH Centrepiece	039032-BP5
	RH Centrepiece	039031-BP5
7	O-Ring	039034-BP10
8	Sleeve	039033-BP10
9	Seat Ring	039066-BP10
10	LH Stem	039055-BP5
	RH Stem	039056-BP5
11	Elbow	300683
12	Spout	300684
13	Aerator	300259
14	Brace	300685
15	Forked Bracket	300681
16	Screw	300677
17	Wall Plate	300665
18	Screw	300664
19	Gasket	300670
20	Shank	301047
21	Shank Connector	300671
22	Cap	300673
23	Gasket	300674
24	Cartridge	356229
25	Centrepiece	301042
26	O-Ring	301045
27	Stem	301043
28	Disc	301044
29	Screw	301046
30	Sleeve	309342
31	Flange	309343

\*BPx denotes the bulk pack quantity



# P2370 Service Sink Fitting, Bottom Brace



**P2370 Specification:** Commercial grade service sink fitting with colour indexed metal cross handles, Dial-ese® cartridges and a 2.0 GPM (7.6 L/min) aerator. Heavy duty cast brass body has a resilient polished chrome plated finish and 1/2"-14 NPT female inlets. Includes integral stops, pail hook, bottom brace, and adjustable inlet centres from 5" (127mm) to 11" (279mm).

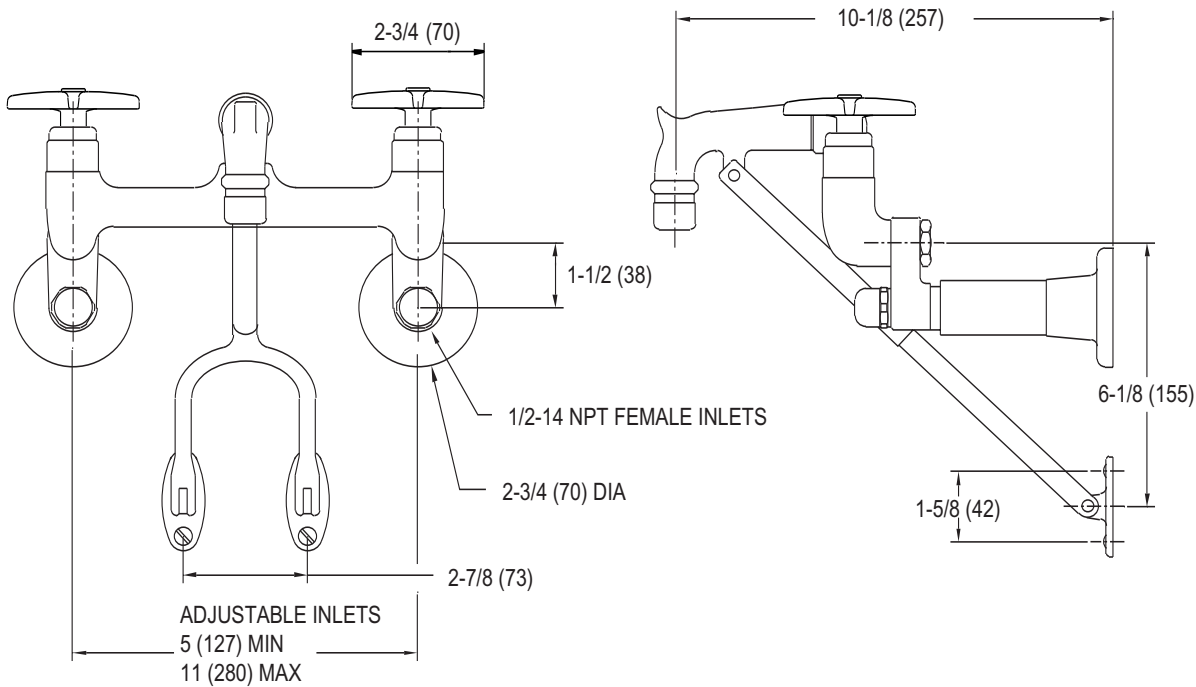
**Maximum Operating Pressure Rating** ..... 125 PSI (860 KPa)

**Maximum Operating Temperature Rating** ..... 65 C (150 F)

**Shipping Weight** ..... 7.5 Lbs (3.4 Kg)



**P2370 Model Shown**



*Dimensions shown in inches (mm) are for reference only and are subject to change.*

**Ordering Code:**

**P2370 - -**

**Outlet Options**

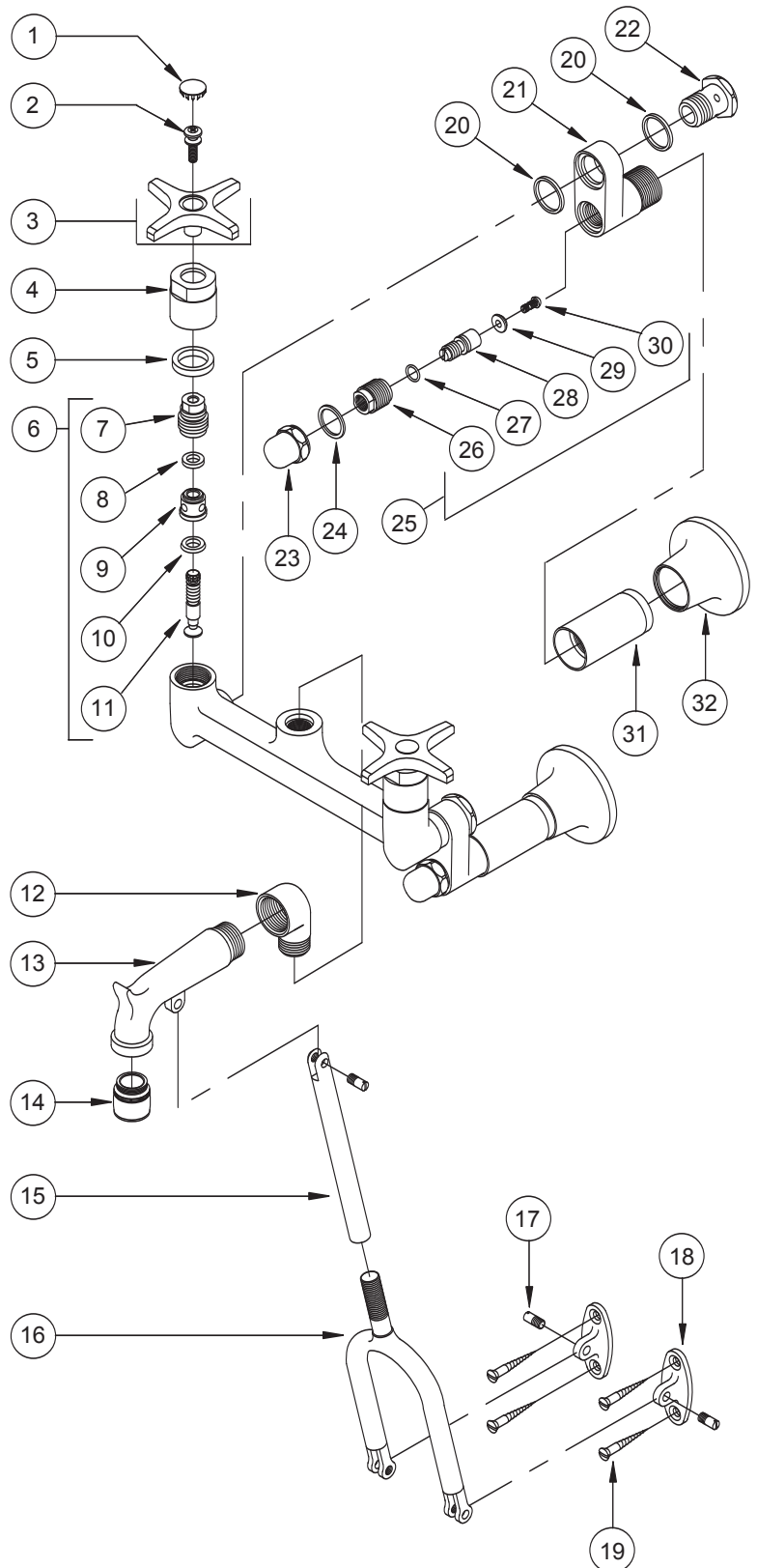
- Aerator (0.5 GPM, 1.9 L/min) **A5**
- Laminar Flow Outlet (2.0 GPM, 7.6 L/min) **LF**
- Spray Face (2.0 GPM, 7.6 L/min) **SF**
- Vandal Resistant Aerator (0.5 GPM, 1.9 L/min) **V5**
- Vandal Resistant Aerator (2.0 GPM, 7.6 L/min) **VA**
- Vandal Resistant Laminar Flow (2.0 GPM, 7.6 L/min) **VF**

**Additional Options**

- VH** Vandal Resistant Handles
- SC** Self Closing Cartridges
- QT** Quarter Turn Cartridges

#	Description	Part #*
1	Button, Blue	039298-BP5
	Button, Red	039297-BP5
2	Screw	039328-BP25
3	Cross Handle Assy., Blue	039313
	Cross Handle Assy., Red	039314
4	Locknut	300631
5	O-Ring	039035-BP10
6	Cartridge	039038-BP5
7	Centrepiece	039032-BP5
8	O-Ring	039034-BP10
9	Sleeve	039033-BP10
10	Seat Ring	039039-BP10
11	Stem	039030-BP10
12	Elbow	300683
13	Spout	300684
14	Aerator	300259
15	Brace	300685
16	Forked Bracket	300681
17	Screw	300677
18	Wall Plate	300665
19	Screw	300664
20	Gasket	300670
21	Shank	301047
22	Shank Connector	300671
23	Cap	300673
24	Gasket	300674
25	Cartridge	356229
26	Centrepiece	301042
27	O-Ring	301045
28	Stem	301043
29	Disc	301044
30	Screw	301046
31	Sleeve	309342
32	Flange	309343

\*BPx denotes the bulk pack quantity



# P2430 Service Sink Fitting, Top Brace

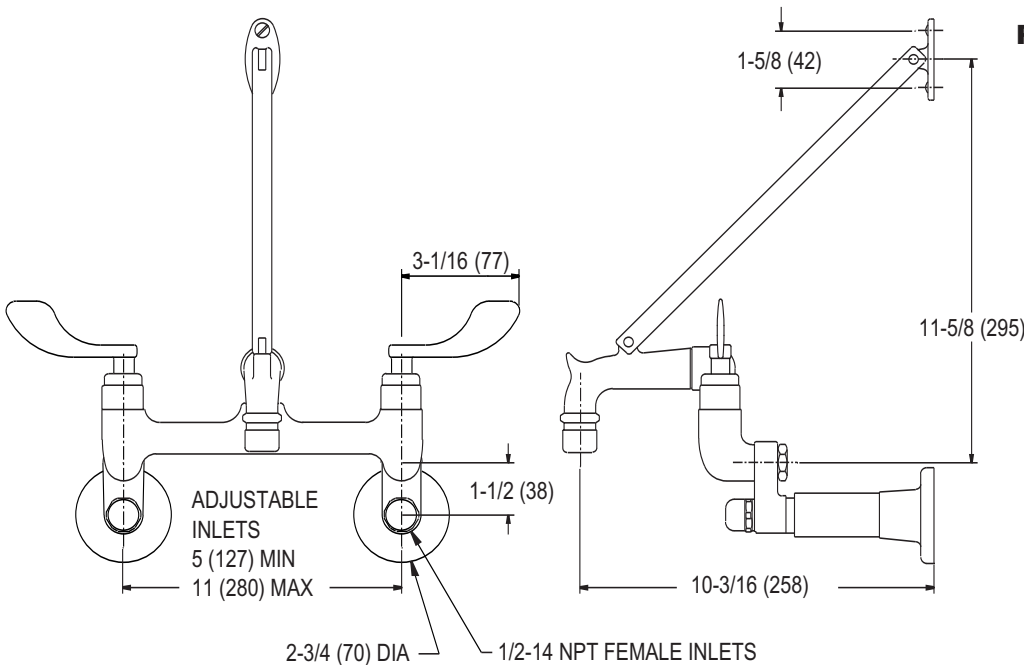


**P2430 Specification:** Commercial grade service sink fitting with colour indexed 3" metal blade handles, Dial-ese® cartridges and a 2.0 GPM (7.6 L/min) aerator. Heavy duty cast brass body has a resilient polished chrome plated finish and 1/2"-14 NPT female inlets. Includes integral stops, pail hook, top brace, and adjustable inlet centres from 5" (127mm) to 11" (279mm).

**Maximum Operating Pressure Rating** ..... 125 PSI (860 KPa)

**Maximum Operating Temperature Rating** ..... 65 C (150 F)

**Shipping Weight** ..... 7.1 Lbs (3.2 Kg)



**P2430 Model Shown**



*Dimensions shown in inches (mm) are for reference only and are subject to change.*

**Ordering Code:**

**P2430 - -**

**Outlet Options**

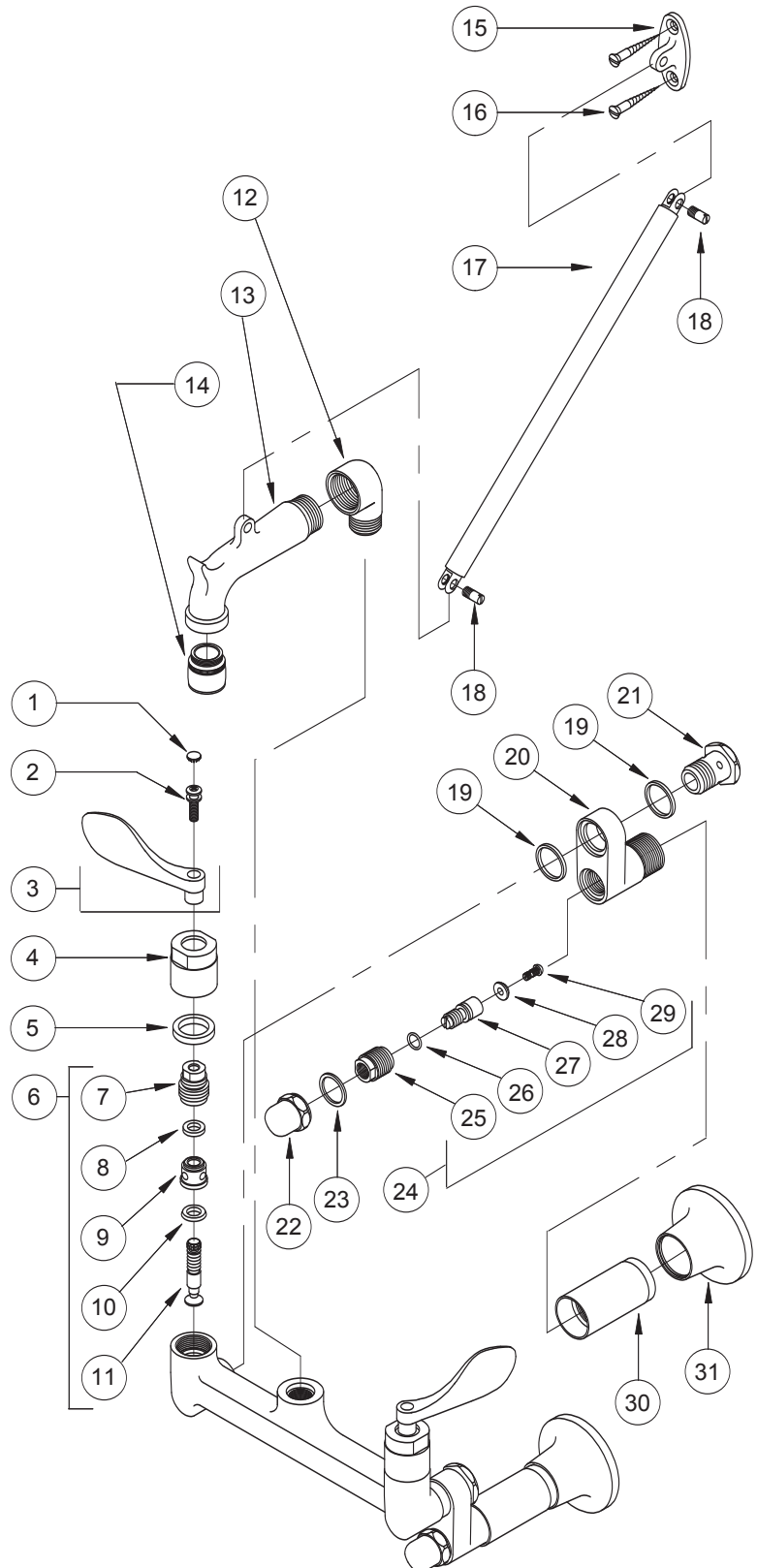
- Aerator (0.5 GPM, 1.9 L/min) **A5**
- Laminar Flow Outlet (2.0 GPM, 7.6 L/min) **LF**
- Spray Face (2.0 GPM, 7.6 L/min) **SF**
- Vandal Resistant Aerator (0.5 GPM, 1.9 L/min) **V5**
- Vandal Resistant Aerator (2.0 GPM, 7.6 L/min) **VA**
- Vandal Resistant Laminar Flow (2.0 GPM, 7.6 L/min) **VF**

**Additional Options**

- VH** Vandal Resistant handles
- SC** Self Closing Cartridges
- QT** Quarter Turn Cartridges

#	Description	Part #*
1	Button, Blue	039298-BP5
	Button, Red	039297-BP5
2	Screw	039328-BP25
3	3" Blade Handle Assy., Blue	039296
	3" Blade Handle Assy., Red	039295
4	Locknut	300631
5	O-Ring	039035-BP10
6	LH Cartridge	039038-BP5
	RH Cartridge	039037-BP5
7	LH Centrepiece	039032-BP5
	RH Centrepiece	039031-BP5
8	O-Ring	039034-BP10
9	Sleeve	039033-BP10
10	Seat Ring	039039-BP10
11	LH Stem	039030-BP10
	RH Stem	039029-BP10
12	Elbow	300683
13	Spout	300679
14	Aerator	300259
15	Wall Plate	300665
16	Screw	300664
17	Brace	300678
18	Screw	300677
19	Gasket	300670
20	Shank	301047
21	Shank Connector	300671
22	Cap	300673
23	Gasket	300674
24	Cartridge	356229
25	Centrepiece	301042
26	O-Ring	301045
27	Stem	301043
28	Disc	301044
29	Screw	301046
30	Sleeve	309342
31	Flange	309343

\*BPx denotes the bulk pack quantity



# P2430-VB Service Sink Fitting, Top Brace, VB



**P2430-VB Specification:** Commercial grade service sink fitting with colour indexed 3" metal blade handles, Dial-ese® cartridges and a 3/4" hose end outlet. Heavy duty cast brass body has a resilient polished chrome plated finish and 1/2"-14 NPT female inlets. Includes integral stops, pail hook, top brace, vacuum breaker, and adjustable inlet centres from 5" (127mm) to 11" (279mm).

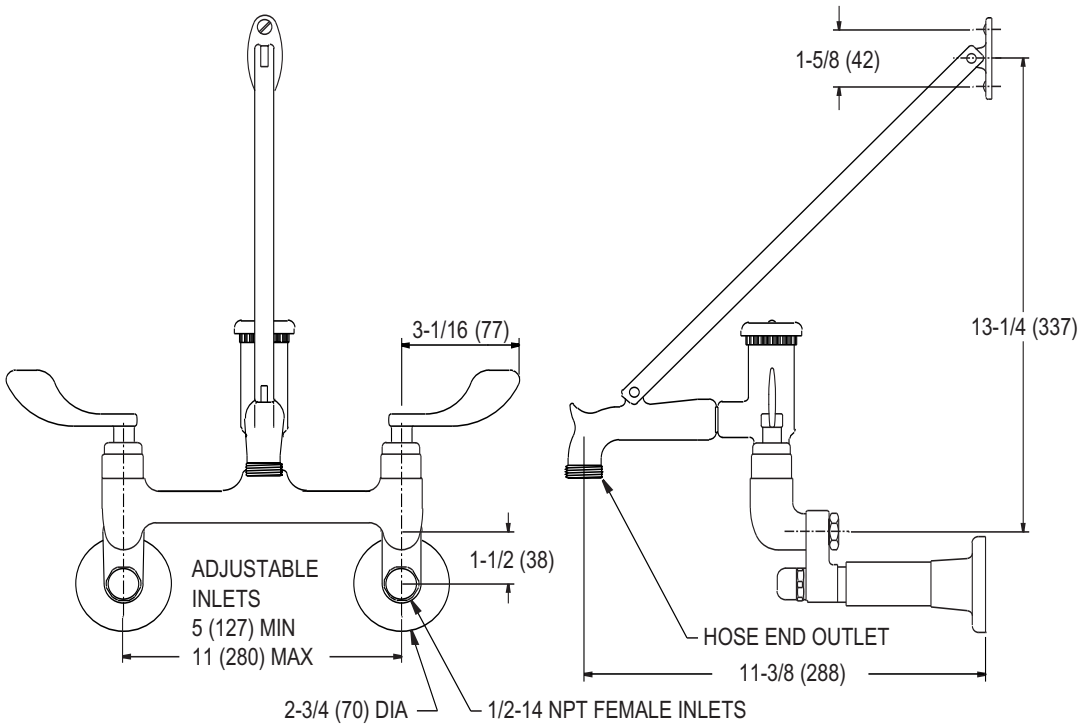
**Maximum Operating Pressure Rating** ..... 125 PSI (860 KPa)

**Maximum Operating Temperature Rating** ..... 65 C (150 F)

**Shipping Weight** ..... 7.1 Lbs (3.2 Kg)



**P2430-VB Model Shown**



*Dimensions shown in inches (mm) are for reference only and are subject to change.*



**Ordering Code:**

**P2430 - VB -**

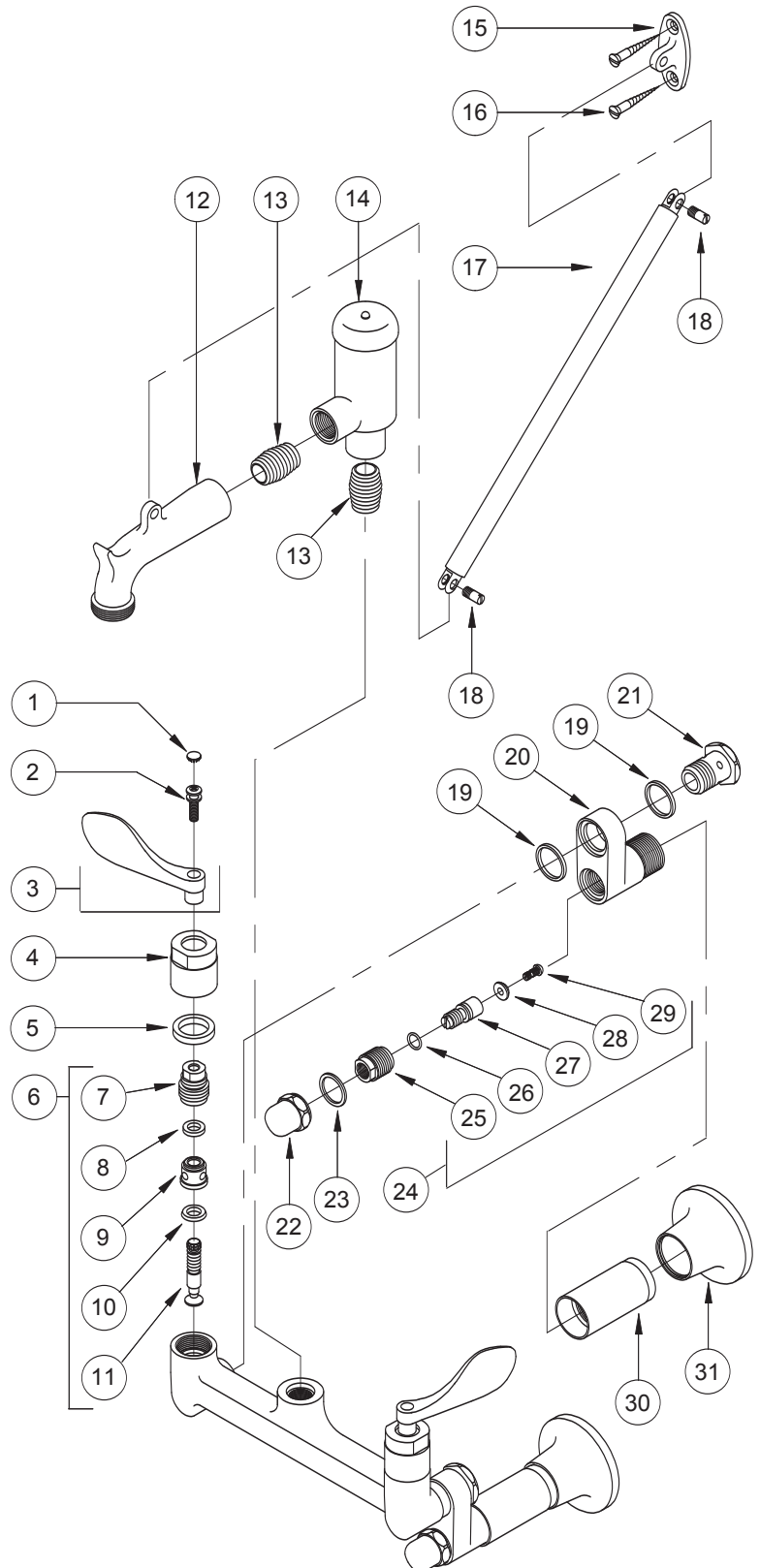
**Options**

- HH** Hose and Hanger
- VH** Vandal Resistant Handles
- SC** Self Closing Cartridges
- QT** Quarter Turn Cartridges



#	Description	Part #*
1	Button, Blue	039298-BP5
	Button, Red	039297-BP5
2	Screw	039328-BP25
3	3" Blade Handle Assy., Blue	039296
	3" Blade Handle Assy., Red	039295
4	Locknut	300631
5	O-Ring	039035-BP10
6	LH Cartridge	039038-BP5
	RH Cartridge	039037-BP5
7	LH Centrepiece	039032-BP5
	RH Centrepiece	039031-BP5
8	O-Ring	039034-BP10
9	Sleeve	039033-BP10
10	Seat Ring	039039-BP10
11	LH Stem	039030-BP10
	RH Stem	039029-BP10
12	Spout	300668
13	Nipple	300669
14	Vacuum Breaker	P4102
15	Wall Plate	300665
16	Screw	300664
17	Brace	300666
18	Screw	300677
19	Gasket	300670
20	Shank	301047
21	Shank Connector	300671
22	Cap	300673
23	Gasket	300674
24	Cartridge	356229
25	Centrepiece	301042
26	O-Ring	301045
27	Stem	301043
28	Disc	301044
29	Screw	301046
30	Sleeve	309342
31	Flange	309343

\*BPx denotes the bulk pack quantity



# P2440 Service Sink Fitting, Top Brace

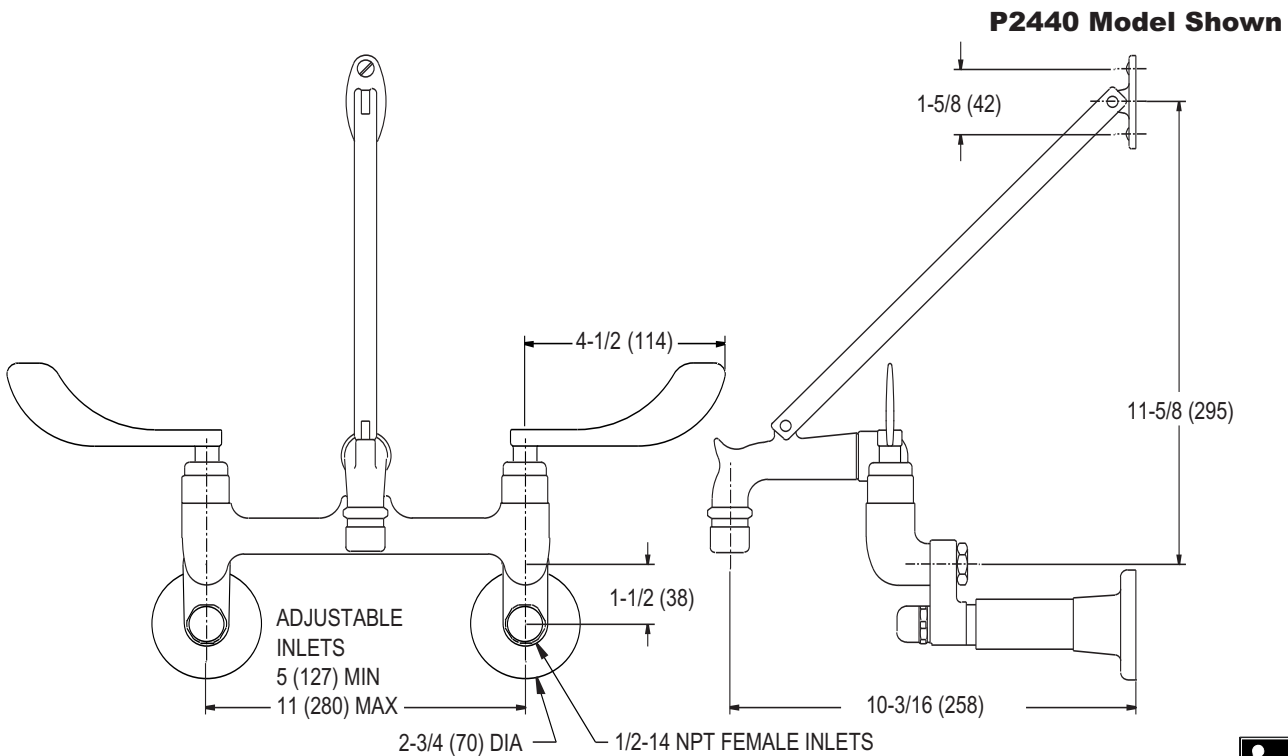


**P2440 Specification:** Commercial grade service sink fitting with colour indexed 4-1/2" metal blade handles, Dial-ese® cartridges and a 2.0 GPM (7.6 L/min) aerator. Heavy duty cast brass body has a resilient polished chrome plated finish and 1/2"-14 NPT female inlets. Includes integral stops, pail hook, top brace, and adjustable inlet centres from 5" (127mm) to 11" (279mm).

**Maximum Operating Pressure Rating** ..... 125 PSI (860 KPa)

**Maximum Operating Temperature Rating** ..... 65 C (150 F)

**Shipping Weight** ..... 7.1 Lbs (3.2 Kg)



*Dimensions shown in inches (mm) are for reference only and are subject to change.*

**Ordering Code:**

**P2440 - -**

**Outlet Options**

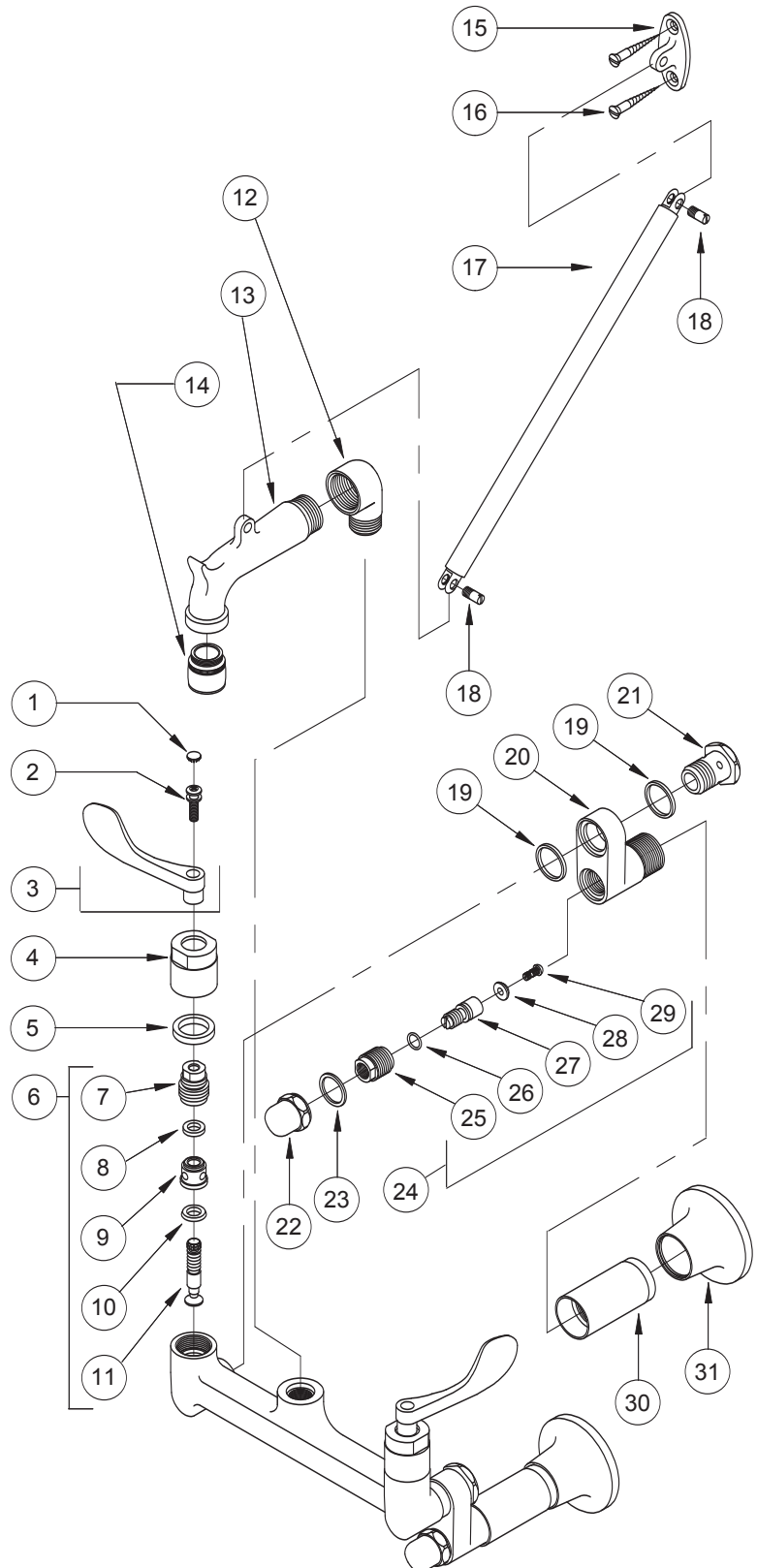
- Aerator (0.5 GPM, 1.9 L/min) **A5**
- Laminar Flow Outlet (2.0 GPM, 7.6 L/min) **LF**
- Spray Face (2.0 GPM, 7.6 L/min) **SF**
- Vandal Resistant Aerator (0.5 GPM, 1.9 L/min) **V5**
- Vandal Resistant Aerator (2.0 GPM, 7.6 L/min) **VA**
- Vandal Resistant Laminar Flow (2.0 GPM, 7.6 L/min) **VF**

**Additional Options**

- VH** Vandal Resistant Handles
- QT** Quarter Turn Cartridges

#	Description	Part #*
1	Button, Blue	039298-BP5
	Button, Red	039297-BP5
2	Screw	039328-BP25
3	4-1/2" Blade Handle Assy., Blue	039300
	4-1/2" Blade Handle Assy., Red	039299
4	Locknut	300631
5	O-Ring	039035-BP10
6	LH Cartridge	039038-BP5
	RH Cartridge	039037-BP5
7	LH Centrepiece	039032-BP5
	RH Centrepiece	039031-BP5
8	O-Ring	039034-BP10
9	Sleeve	039033-BP10
10	Seat Ring	039039-BP10
11	LH Stem	039030-BP10
	RH Stem	039029-BP10
12	Elbow	300683
13	Spout	300679
14	Aerator	300259
15	Wall Plate	300665
16	Screw	300664
17	Brace	300678
18	Screw	300677
19	Gasket	300670
20	Shank	301047
21	Shank Connector	300671
22	Cap	300673
23	Gasket	300674
24	Cartridge	356229
25	Centrepiece	301042
26	O-Ring	301045
27	Stem	301043
28	Disc	301044
29	Screw	301046
30	Sleeve	309342
31	Flange	309343

\*BPx denotes the bulk pack quantity



# P2440-VB Service Sink Fitting, Top Brace, VB



**P2440-VB Specification:** Commercial grade service sink fitting with colour indexed 4-1/2" metal blade handles, Dial-ese® cartridges and a 3/4" hose end outlet. Heavy duty cast brass body has a resilient polished chrome plated finish and 1/2"-14 NPT female inlets. Includes integral stops, pail hook, top brace, vacuum breaker, and adjustable inlet centres from 5" (127mm) to 11" (279mm).

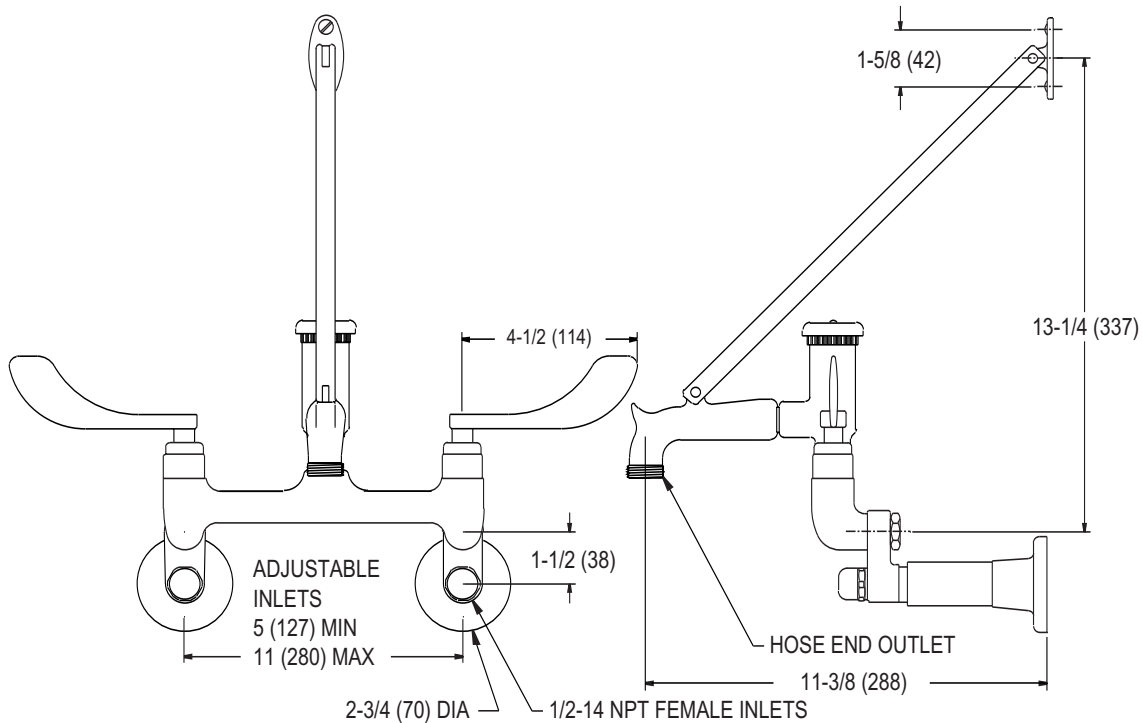
**Maximum Operating Pressure Rating** ..... 125 PSI (860 KPa)

**Maximum Operating Temperature Rating** ..... 65 C (150 F)

**Shipping Weight** ..... 7.1 Lbs (3.2 Kg)



**P2440-VB Model Shown**



*Dimensions shown in inches (mm) are for reference only and are subject to change.*



**Ordering Code:**

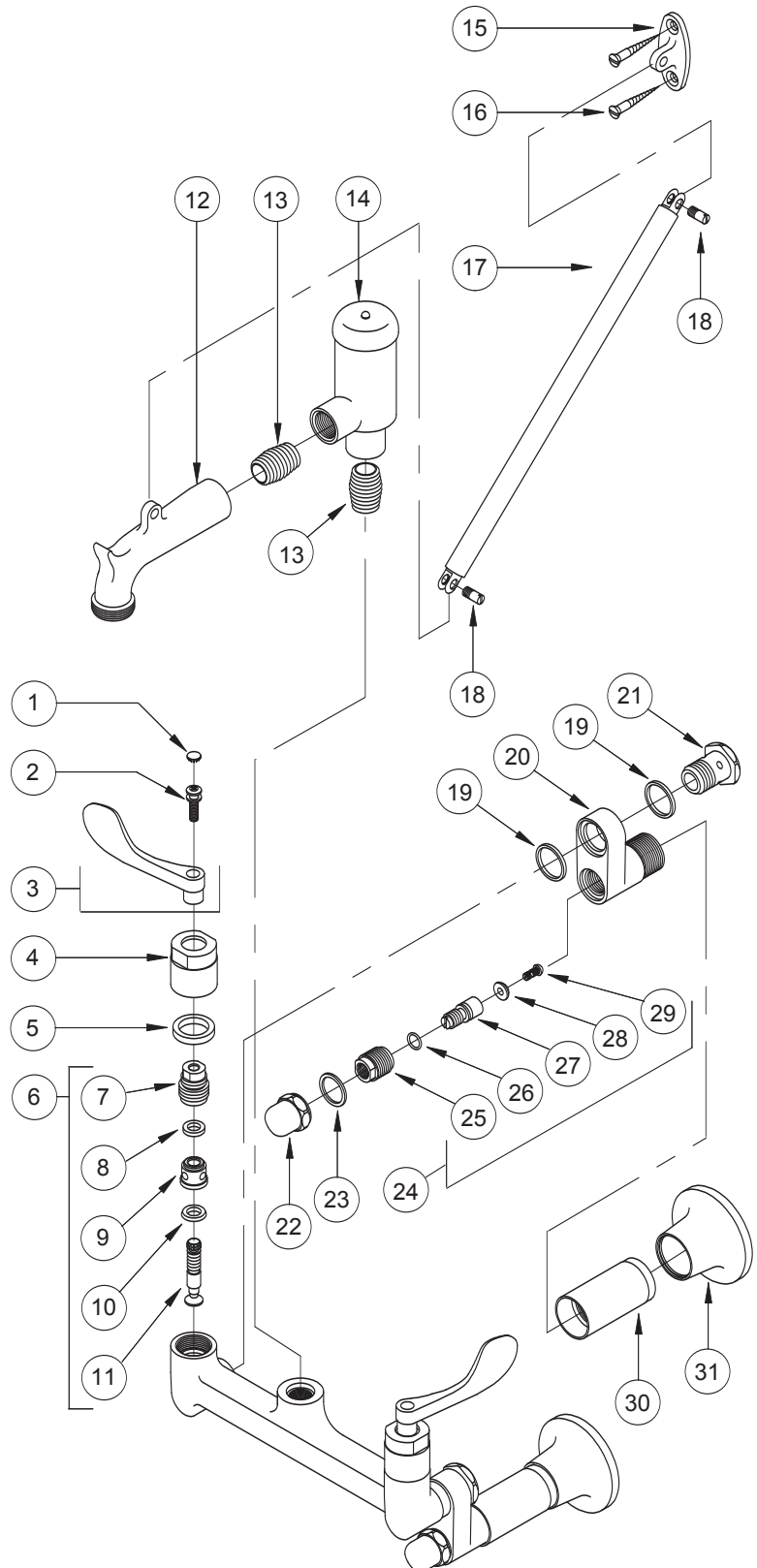
**P2440 - VB -**

**Options**

- HH** Hose and Hanger
- VH** Vandal Resistant Handles
- QT** Quarter Turn Cartridges

#	Description	Part #*
1	Button, Blue	039298-BP5
	Button, Red	039297-BP5
2	Screw	039328-BP25
3	4-1/2" Blade Handle Assy., Blue	039300
	4-1/2" Blade Handle Assy., Red	039299
4	Locknut	300631
5	O-Ring	039035-BP10
6	LH Cartridge	039038-BP5
	RH Cartridge	039037-BP5
7	LH Centrepiece	039032-BP5
	RH Centrepiece	039031-BP5
8	O-Ring	039034-BP10
9	Sleeve	039033-BP10
10	Seat Ring	039039-BP10
11	LH Stem	039030-BP10
	RH Stem	039029-BP10
12	Spout	300668
13	Nipple	300669
14	Vacuum Breaker	P4102
15	Wall Plate	300665
16	Screw	300664
17	Brace	300666
18	Screw	300677
19	Gasket	300670
20	Shank	301047
21	Shank Connector	300671
22	Cap	300673
23	Gasket	300674
24	Cartridge	356229
25	Centrepiece	301042
26	O-Ring	301045
27	Stem	301043
28	Disc	301044
29	Screw	301046
30	Sleeve	309342
31	Flange	309343

\*BPx denotes the bulk pack quantity



# P2460 Service Sink Fitting, Top Brace



**P2460 Specification:** Commercial grade service sink fitting with colour indexed 6" metal blade handles, Dial-ese® cartridges and a 2.0 GPM (7.6 L/min) aerator. Heavy duty cast brass body has a resilient polished chrome plated finish and 1/2"-14 NPT female inlets. Includes integral stops, pail hook, top brace, and adjustable inlet centres from 5" (127mm) to 11" (279mm).

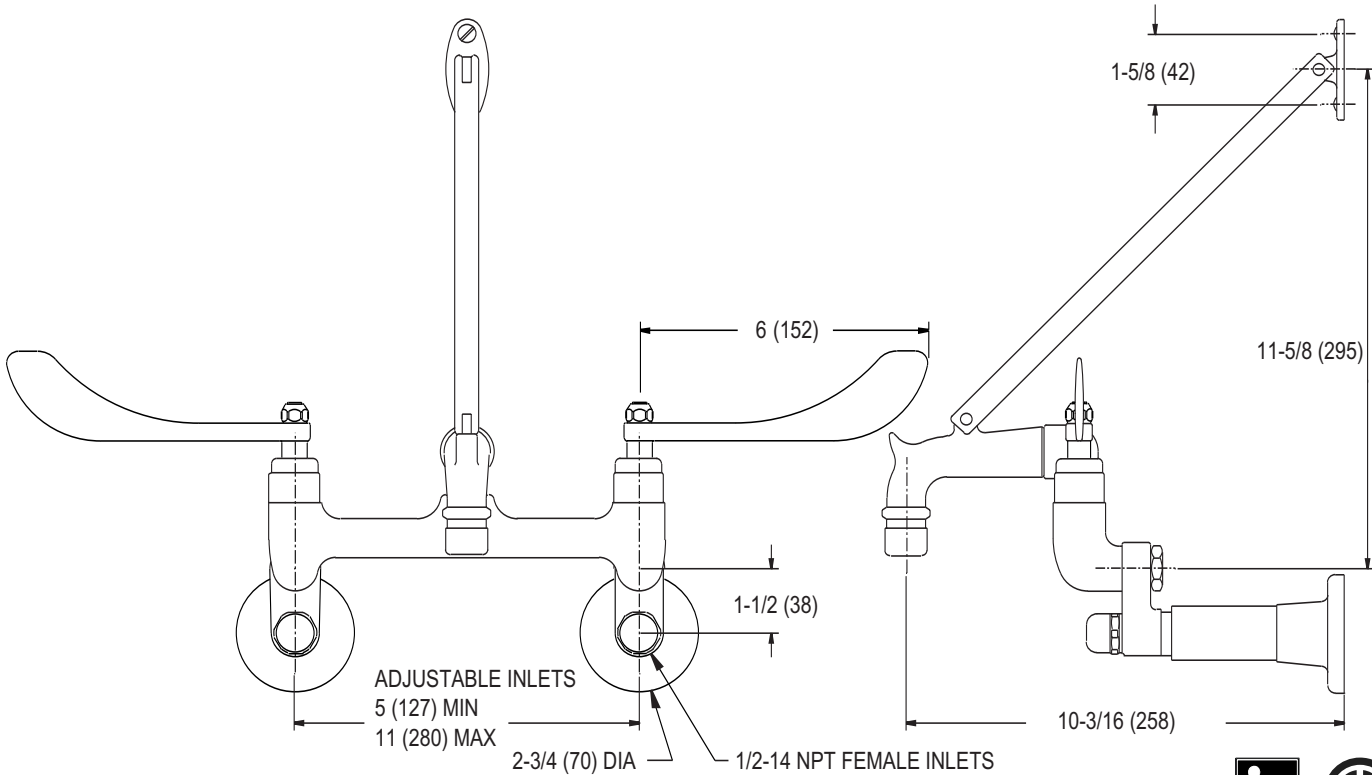
**Maximum Operating Pressure Rating** ..... 125 PSI (860 KPa)

**Maximum Operating Temperature Rating** ..... 65 C (150 F)

**Shipping Weight** ..... 7.1 Lbs (3.2 Kg)



**P2460 Model Shown**



*Dimensions shown in inches (mm) are for reference only and are subject to change.*

**Ordering Code:**

**P2460 - -**

**Outlet Options**

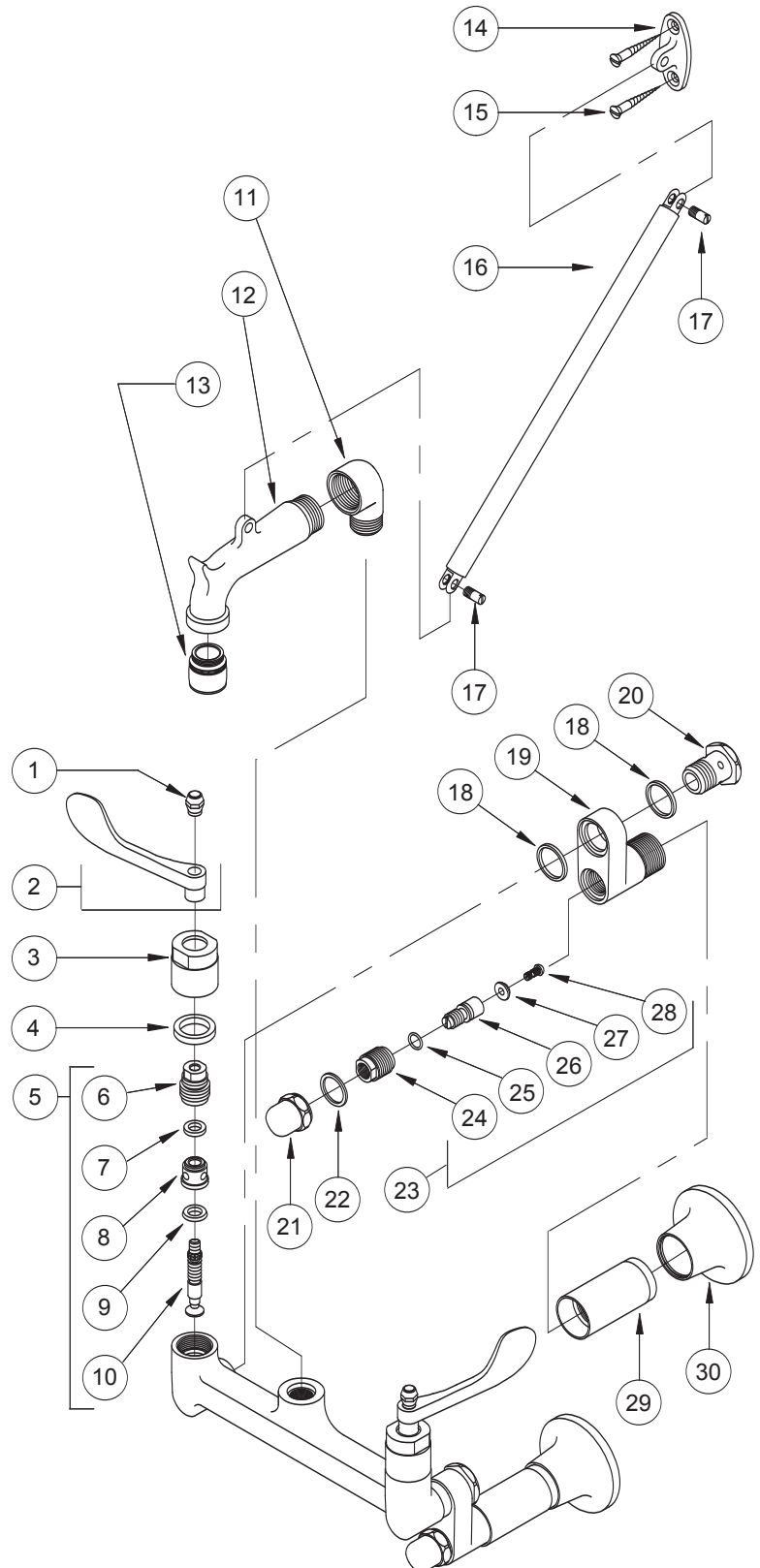
- Aerator (0.5 GPM, 1.9 L/min) **A5**
- Laminar Flow Outlet (2.0 GPM, 7.6 L/min) **LF**
- Spray Face (2.0 GPM, 7.6 L/min) **SF**
- Vandal Resistant Aerator (0.5 GPM, 1.9 L/min) **V5**
- Vandal Resistant Aerator (2.0 GPM, 7.6 L/min) **VA**
- Vandal Resistant Laminar Flow (2.0 GPM, 7.6 L/min) **VF**

**Additional Options**

- QT** Quarter Turn Cartridges

#	Description	Part #*
1	Cap Nut, Blue	039302-BP5
	Cap Nut, Red	039301-BP5
2	6" Blade Handle Assy., Blue	039319
	6" Blade Handle Assy., Red	039320
3	Locknut	300631
4	O-Ring	039035-BP10
5	LH Cartridge	039064-BP5
	RH Cartridge	039065-BP5
6	LH Centrepiece	039032-BP5
	RH Centrepiece	039031-BP5
7	O-Ring	039034-BP10
8	Sleeve	039033-BP10
9	Seat Ring	039066-BP10
10	LH Stem	039055-BP5
	RH Stem	039056-BP5
11	Elbow	300683
12	Spout	300679
13	Aerator	300259
14	Wall Plate	300665
15	Screw	300664
16	Brace	300678
17	Screw	300677
18	Gasket	300670
19	Shank	301047
20	Shank Connector	300671
21	Cap	300673
22	Gasket	300674
23	Cartridge	356229
24	Centrepiece	301042
25	O-Ring	301045
26	Stem	301043
27	Disc	301044
28	Screw	301046
29	Sleeve	309342
30	Flange	309343

\*BPx denotes the bulk pack quantity



# P2460-VB Service Sink Fitting, Top Brace, VB



**P2460-VB Specification:** Commercial grade service sink fitting with colour indexed 6" Metal blade handles, Dial-ese® cartridges and a 3/4" hose end outlet. Heavy duty cast brass body has a resilient polished chrome plated finish and 1/2"-14 NPT female inlets. Includes integral stops, pail hook, top brace, vacuum breaker, and adjustable inlet centres from 5" (127mm) to 11" (279mm).

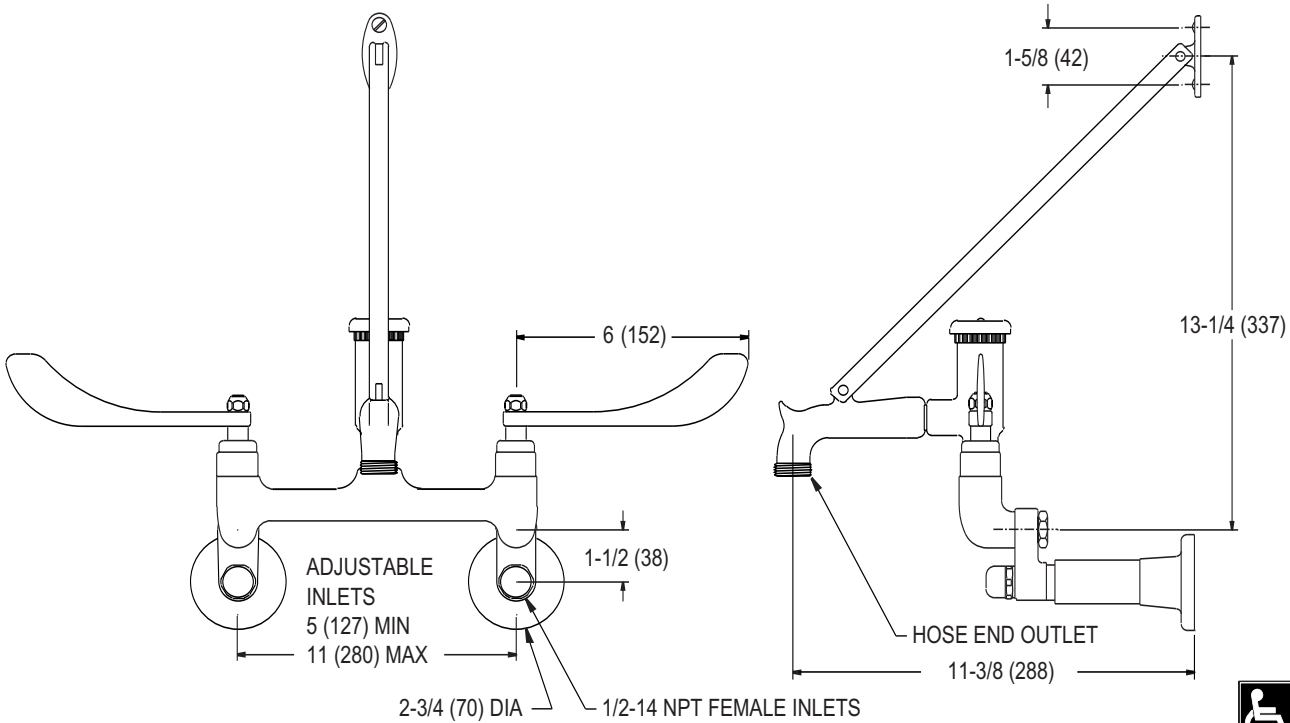
**Maximum Operating Pressure Rating** ..... 125 PSI (860 KPa)

**Maximum Operating Temperature Rating** ..... 65 C (150 F)

**Shipping Weight** ..... 7.1 Lbs (3.2 Kg)



**P2460-VB Model Shown**



*Dimensions shown in inches (mm) are for reference only and are subject to change.*



**Ordering Code:**

**P2460 - VB -**

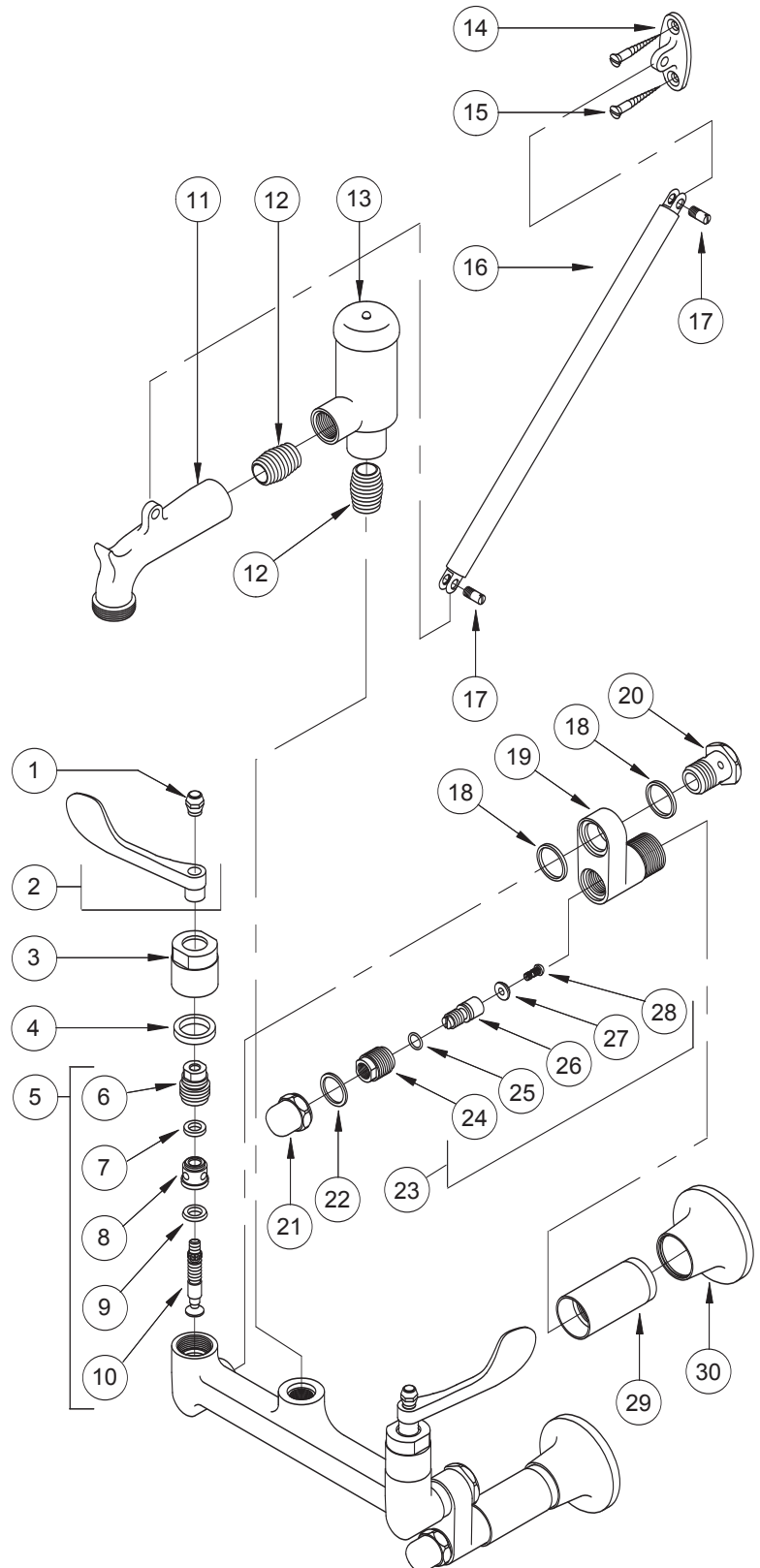
**Options**

- HH** Hose and Hanger
- QT** Quarter Turn Cartridges



#	Description	Part #*
1	Cap Nut, Blue	039302-BP5
	Cap Nut, Red	039301-BP5
2	6" Blade Handle Assy., Blue	039319
	6" Blade Handle Assy., Red	039320
3	Locknut	300631
4	O-Ring	039035-BP10
5	LH Cartridge	039064-BP5
	RH Cartridge	039065-BP5
6	LH Centrepiece	039032-BP5
	RH Centrepiece	039031-BP5
7	O-Ring	039034-BP10
8	Sleeve	039033-BP10
9	Seat Ring	039066-BP10
10	LH Stem	039055-BP5
	RH Stem	039056-BP5
11	Spout	300668
12	Nipple	300669
13	Vacuum Breaker	P4102
14	Wall Plate	300665
15	Screw	300664
16	Brace	300666
17	Screw	300677
18	Gasket	300670
19	Shank	301047
20	Shank Connector	300671
21	Cap	300673
22	Gasket	300674
23	Cartridge	356229
24	Centrepiece	301042
25	O-Ring	301045
26	Stem	301043
27	Disc	301044
28	Screw	301046
29	Sleeve	309342
30	Flange	309343

\*BPx denotes the bulk pack quantity



# P2470 Service Sink Fitting, Top Brace



**P2470 Specification:** Commercial grade service sink fitting with colour indexed metal cross handles, Dial-ese<sup>®</sup> cartridges and a 2.0 GPM (7.6 L/min) aerator. Heavy duty cast brass body has a resilient polished chrome plated finish and 1/2"-14 NPT female inlets. Includes integral stops, pail hook, top brace, and adjustable inlet centres from 5" (127mm) to 11" (279mm).

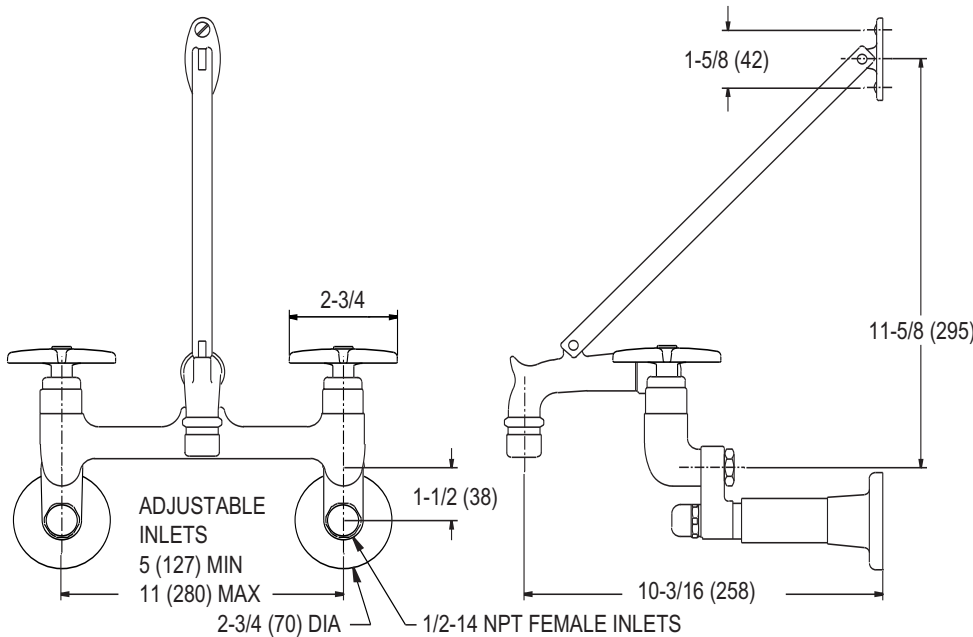
**Maximum Operating Pressure Rating** ..... 125 PSI (860 KPa)

**Maximum Operating Temperature Rating** ..... 65 C (150 F)

**Shipping Weight** ..... 7.1 Lbs (3.2 Kg)



**P2470 Model Shown**



*Dimensions shown in inches (mm) are for reference only and are subject to change.*



**Ordering Code:**

**P2470 - -**

**Outlet Options**

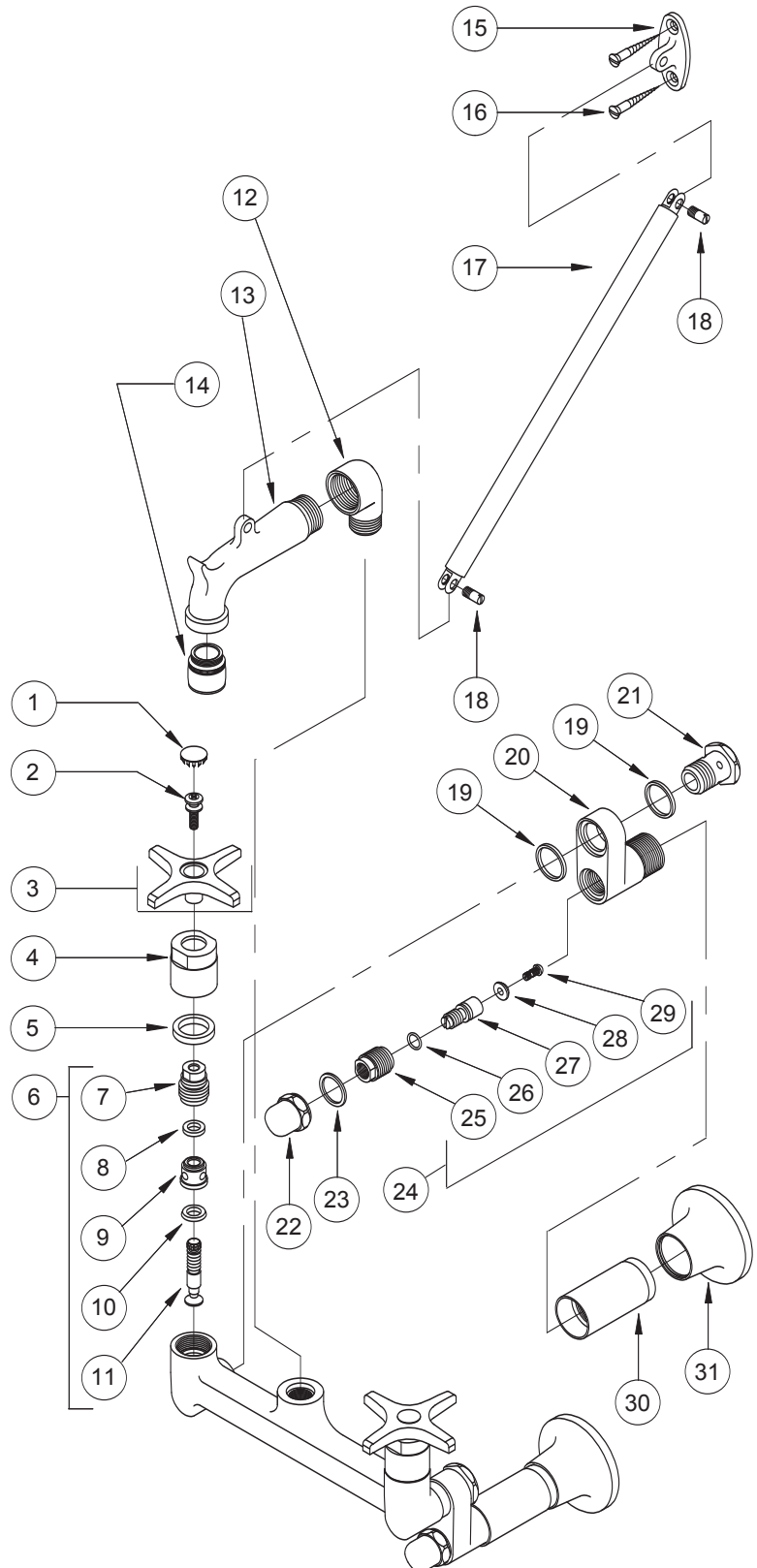
- Aerator (0.5 GPM, 1.9 L/min) **A5**
- Laminar Flow Outlet (2.0 GPM, 7.6 L/min) **LF**
- Spray Face (2.0 GPM, 7.6 L/min) **SF**
- Vandal Resistant Aerator (0.5 GPM, 1.9 L/min) **V5**
- Vandal Resistant Aerator (2.0 GPM, 7.6 L/min) **VA**
- Vandal Resistant Laminar Flow (2.0 GPM, 7.6 L/min) **VF**

**Additional Options**

- VH** Vandal Resistant Handles
- SC** Self Closing Cartridges
- QT** Quarter Turn Cartridges

#	Description	Part #*
1	Button, Blue	039298-BP5
	Button, Red	039297-BP5
2	Screw	039328-BP25
3	Cross Handle Assy., Blue	039313
	Cross Handle Assy., Red	039314
4	Locknut	300631
5	O-Ring	039035-BP10
6	Cartridge	039038-BP5
7	Centrepiece	039032-BP5
8	O-Ring	039034-BP10
9	Sleeve	039033-BP10
10	Seat Ring	039039-BP10
11	Stem	039030-BP10
12	Elbow	300683
13	Spout	300679
14	Aerator	300259
15	Wall Plate	300665
16	Screw	300664
17	Brace	300678
18	Screw	300677
19	Gasket	300670
20	Shank	301047
21	Shank Connector	300671
22	Cap	300673
23	Gasket	300674
24	Cartridge	356229
25	Centrepiece	301042
26	O-Ring	301045
27	Stem	301043
28	Disc	301044
29	Screw	301046
30	Sleeve	309342
31	Flange	309343

\*BPx denotes the bulk pack quantity



# P2470-VB Service Sink Fitting, Top Brace, VB



**P2470-VB Specification:** Commercial grade service sink fitting with colour indexed metal cross handles, Dial-ese® cartridges and a 3/4" hose end outlet. Heavy duty cast brass body has a resilient polished chrome plated finish and 1/2"-14 NPT female inlets. Includes integral stops, pail hook, top brace, vacuum breaker, and adjustable inlet centres from 5" (127mm) to 11" (279mm).

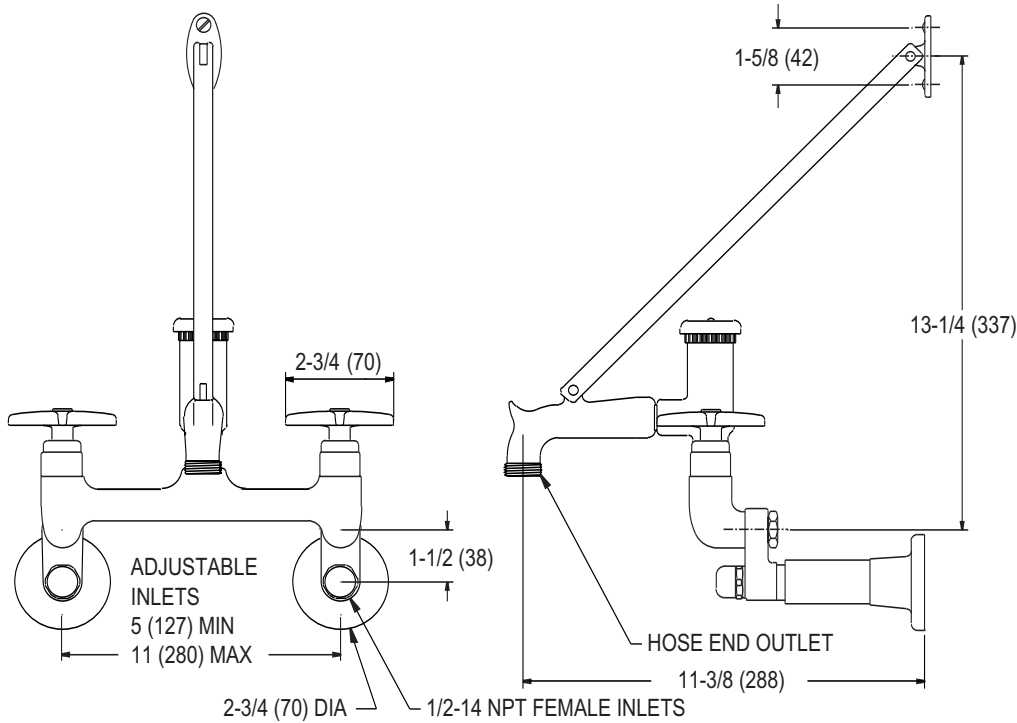
**Maximum Operating Pressure Rating** ..... 125 PSI (860 KPa)

**Maximum Operating Temperature Rating** ..... 65 C (150 F)

**Shipping Weight** ..... 7.1 Lbs (3.2 Kg)



**P2470-VB Model Shown**



*Dimensions shown in inches (mm) are for reference only and are subject to change.*



**Ordering Code:**

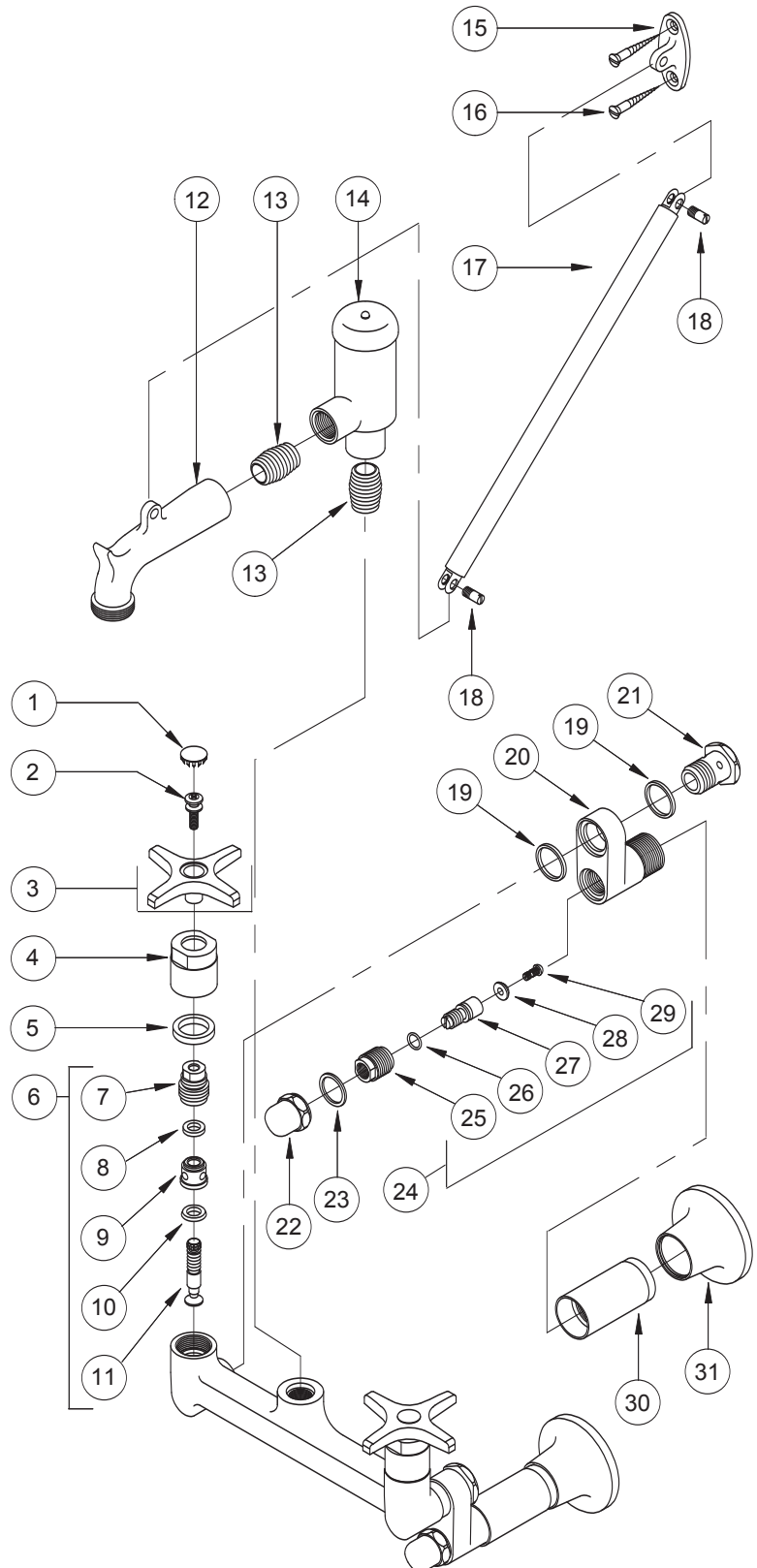
**P2470 - VB -**

**Options**

- HH** Hose and Hanger
- VH** Vandal Resistant Handles
- SC** Self Closing Cartridges
- QT** Quarter Turn Cartridges

#	Description	Part #*
1	Button, Blue	039298-BP5
	Button, Red	039297-BP5
2	Screw	039328-BP25
3	Cross Handle Assy., Blue	039313
	Cross Handle Assy., Red	039314
4	Locknut	300631
5	O-Ring	039035-BP10
6	Cartridge	039038-BP5
7	Centrepiece	039032-BP5
8	O-Ring	039034-BP10
9	Sleeve	039033-BP10
10	Seat Ring	039039-BP10
11	Stem	039030-BP10
12	Spout	300668
13	Nipple	300669
14	Vacuum Breaker	P4102
15	Wall Plate	300665
16	Screw	300664
17	Brace	300666
18	Screw	300677
19	Gasket	300670
20	Shank	301047
21	Shank Connector	300671
22	Cap	300673
23	Gasket	300674
24	Cartridge	356229
25	Centrepiece	301042
26	O-Ring	301045
27	Stem	301043
28	Disc	301044
29	Screw	301046
30	Sleeve	309342
31	Flange	309343

\*BPx denotes the bulk pack quantity



# P2605 Single Sink Fitting, Wall Mount



**P2605 Specification:** Commercial grade single sink fitting with colour indexed vandal resistant metal handle, metering cartridge and a 3/4" outlet hose connection. Heavy duty cast brass body has a resilient polished chrome plated finish and 1/2"-14 NPT threaded inlet. Time adjustable from 1 - 20 seconds.

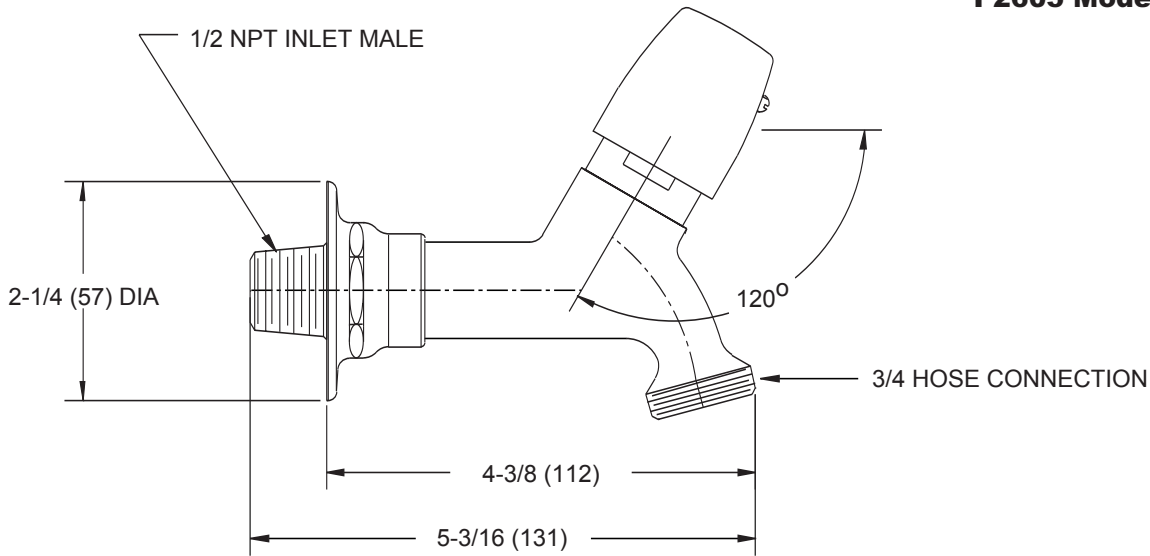
**Maximum Operating Pressure Rating** ..... 125 PSI (860 KPa)

**Maximum Operating Temperature Rating** ..... 65 C (150 F)

**Shipping Weight** ..... 2.6 Lbs (1.2 Kg)



**P2605 Model Shown**



*Dimensions shown in inches (mm) are for reference only and are subject to change.*

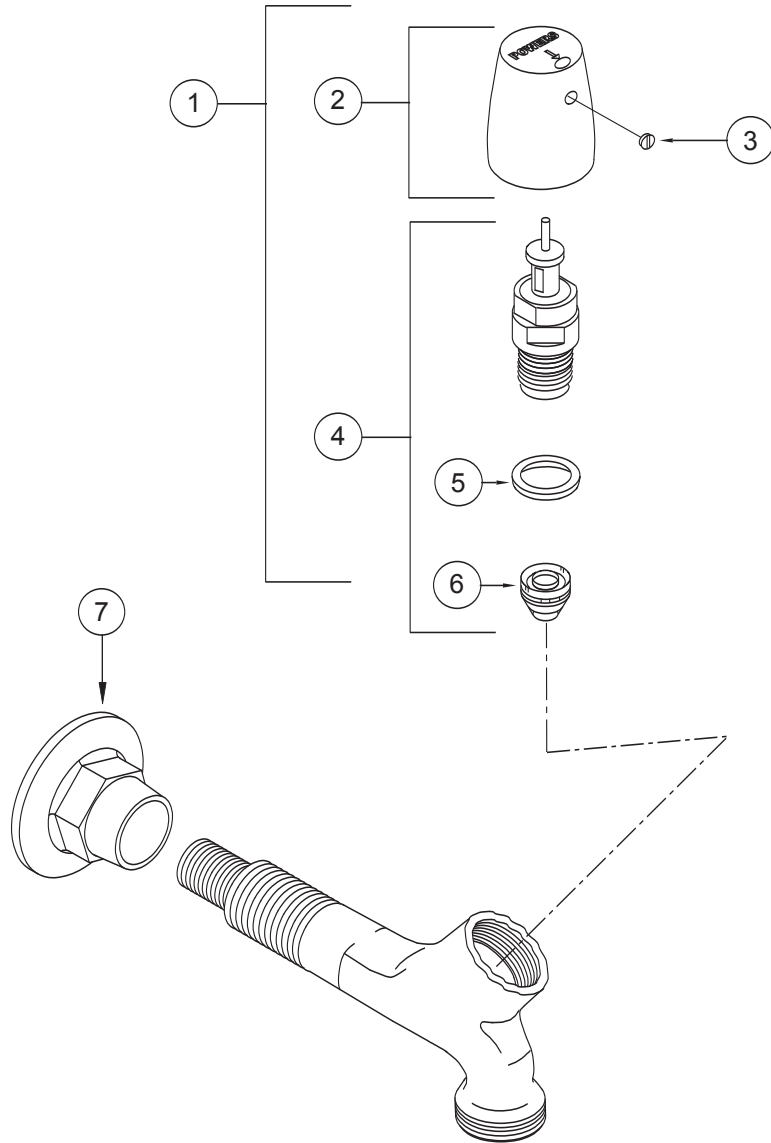


**Ordering Code:**

**P2605**

#	Description	Part #*
1	Cartridge / Handle Kit	675-031
2	Handle Kit	675-026
3	Handle Button Kit (Red, Blue)	675-032
4	Cartridge Kit	675-036
5	O-Ring	084-025
6	Diaphragm / Filter	675-028
7	Flange	300466

\*BPx denotes the bulk pack quantity



# P2630 Single Sink Fitting, Wall Mount



**P2630 Specification:** Commercial grade single sink fitting with colour indexed 3" metal blade handle, Dial-ese® cartridge, 3/4" outlet hose connection, and wall flange. Heavy duty cast brass body has a resilient polished chrome plated finish and 1/2"-14 NPT threaded inlet.

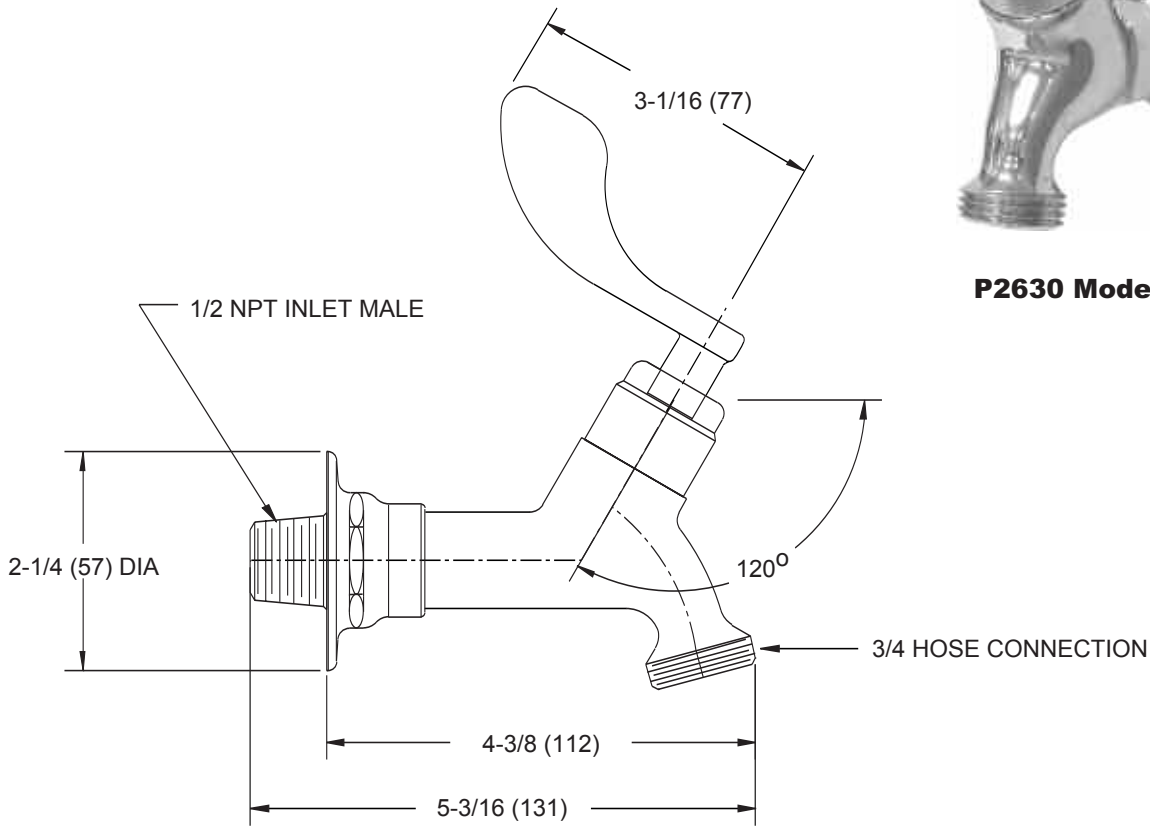
**Maximum Operating Pressure Rating** ..... 125 PSI (860 KPa)

**Maximum Operating Temperature Rating** ..... 65 C (150 F)

**Shipping Weight** ..... 2.6 Lbs (1.2 Kg)



**P2630 Model Shown**



*Dimensions shown in inches (mm) are for reference only and are subject to change.*



**Ordering Code:**

**P2630 - -**

**Options**

Self Closing Cartridge **SC**

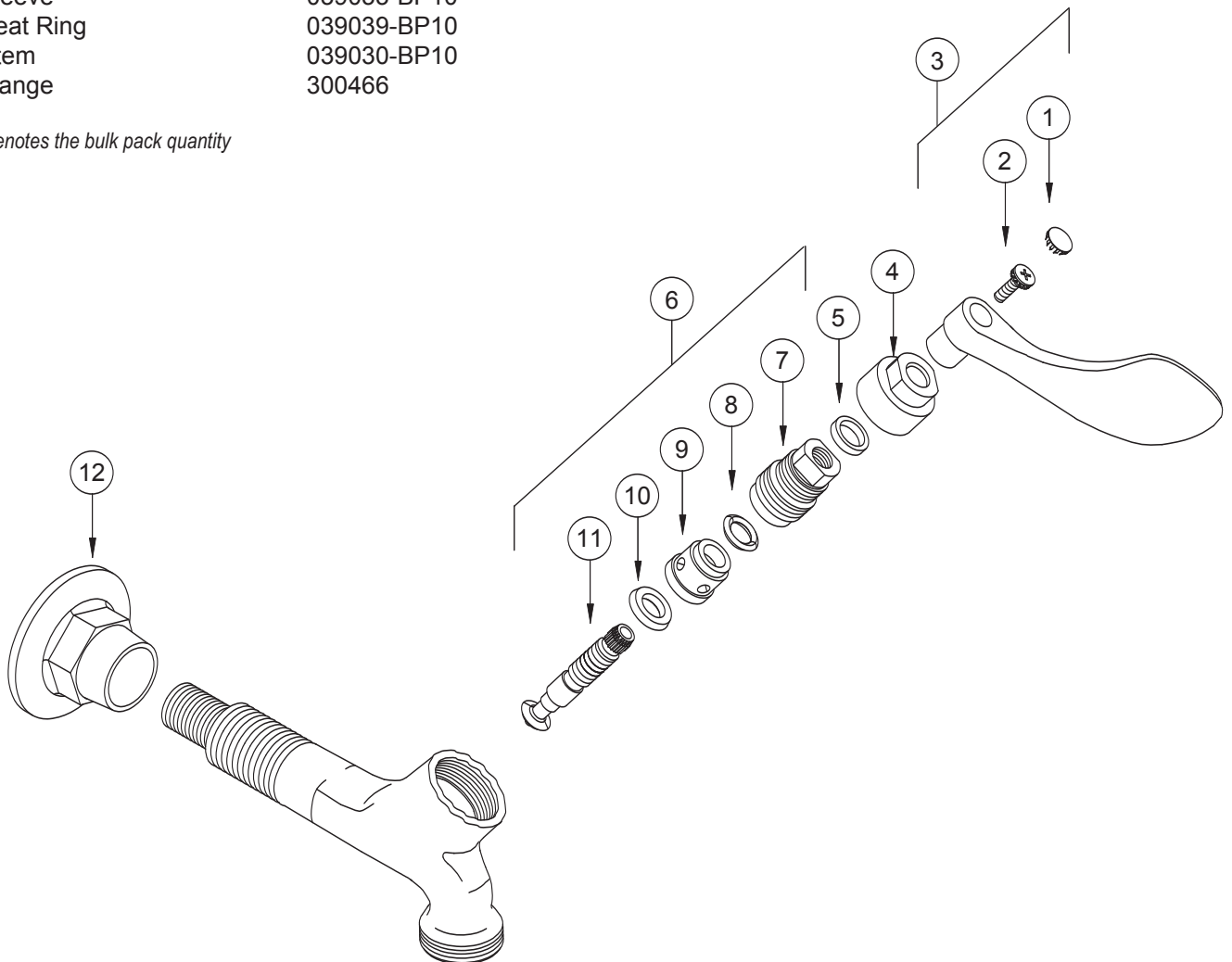
Quarter Turn Cartridge **QT**

Vandal Resistant Handle **VH**



#	Description	Part #*
1	Button, Blue	039298-BP5
	Button, Red	039297-BP5
2	Screw	039328-BP25
3	3" Blade Handle Assy., Blue	039296
	3" Blade Handle Assy., Red	039295
4	Locknut	300631
5	O-Ring	039035-BP10
6	Cartridge	039038-BP5
7	Centrepiece	039032-BP5
8	O-Ring	039034-BP10
9	Sleeve	039033-BP10
10	Seat Ring	039039-BP10
11	Stem	039030-BP10
12	Flange	300466

\*BPx denotes the bulk pack quantity



# P2650 Single Sink Fitting, Wall Mount



**P2650 Specification:** Commercial grade single sink fitting with colour indexed 5-rib metal handle, Dial-ese® cartridge, 3/4" outlet hose connection, and wall flange. Heavy duty cast brass body has a resilient polished chrome plated finish and 1/2"-14 NPT threaded inlet.

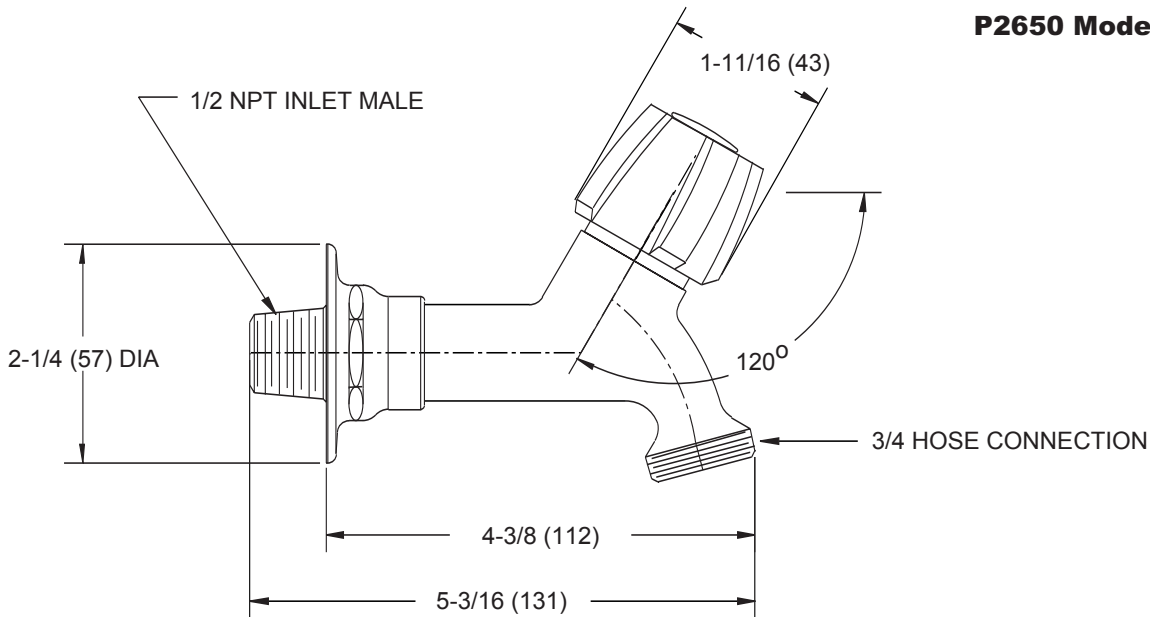
**Maximum Operating Pressure Rating** ..... 125 PSI (860 KPa)

**Maximum Operating Temperature Rating** ..... 65 C (150 F)

**Shipping Weight** ..... 2.6 Lbs (1.2 Kg)



**P2650 Model Shown**



*Dimensions shown in inches (mm) are for reference only and are subject to change.*



**Ordering Code:**

**P2650 - -**

**Options**

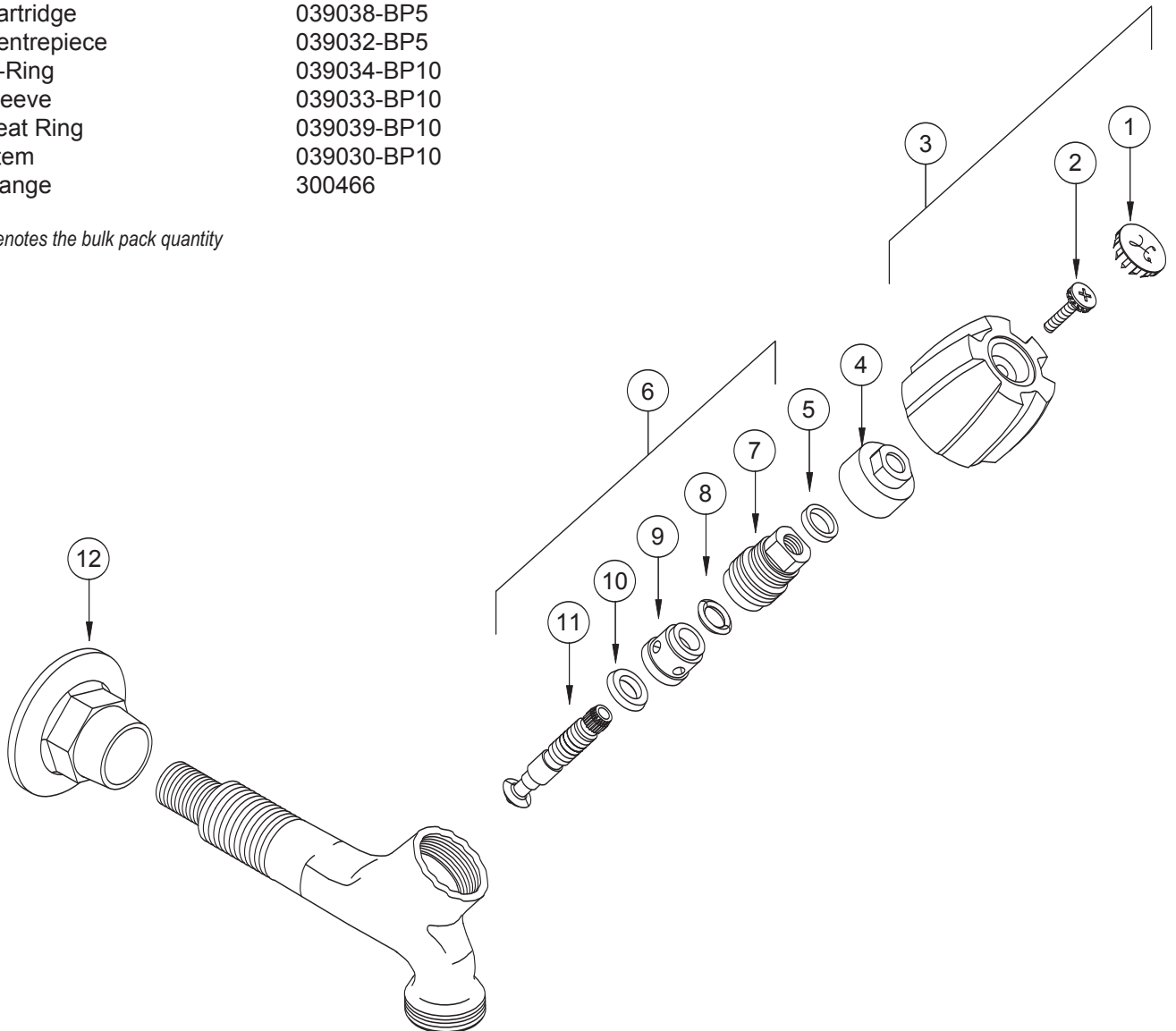
Self Closing Cartridge **SC**

Quarter Turn Cartridge **QT**

Vandal Resistant Handle **VH**

#	Description	Part #*
1	Button, Cold	039306-BP5
	Button, Hot	039305-BP5
2	Screw	039328-BP25
3	5-Rib Handle Assy., Cold	039303
	5-Rib Handle Assy., Hot	039304
4	Locknut	039028-BP10
5	O-Ring	039035-BP10
6	Cartridge	039038-BP5
7	Centrepiece	039032-BP5
8	O-Ring	039034-BP10
9	Sleeve	039033-BP10
10	Seat Ring	039039-BP10
11	Stem	039030-BP10
12	Flange	300466

\*BPx denotes the bulk pack quantity



# P2670 Single Sink Fitting, Wall Mount



**P2670 Specification:** Commercial grade single sink fitting with colour indexed metal cross handle, Dial-ese® cartridge, 3/4" hose connection, and wall flange. Heavy duty cast brass body has a resilient polished chrome plated finish and 1/2"-14 NPT threaded inlet.

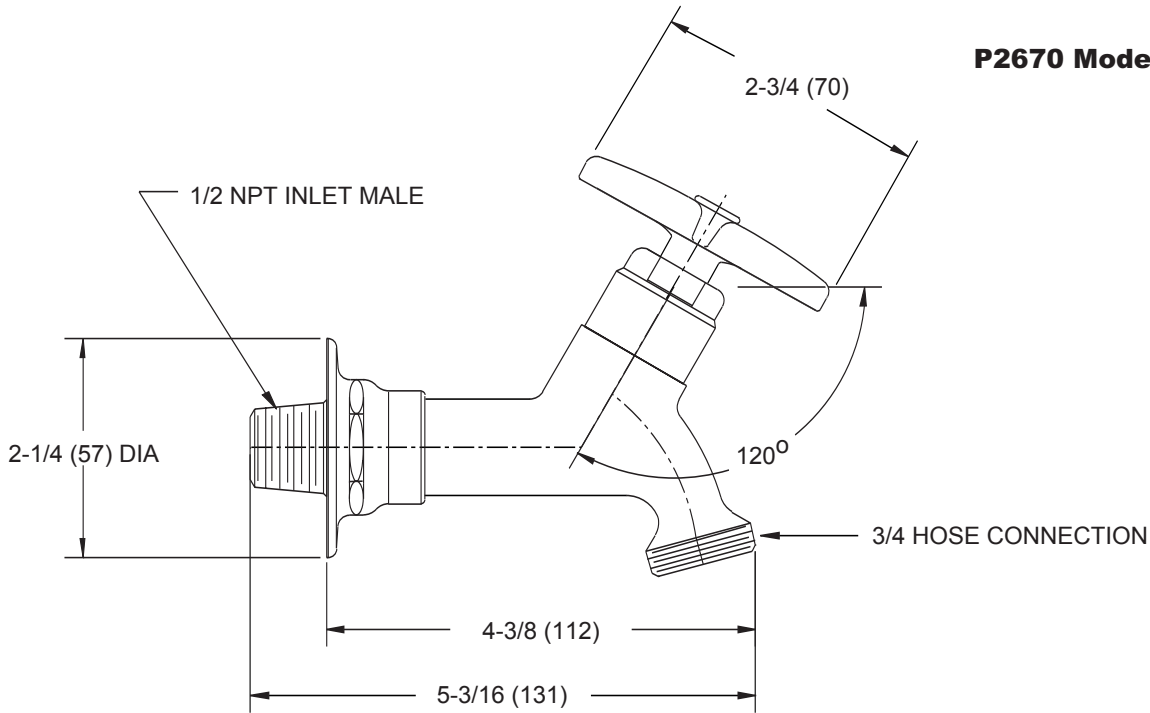
**Maximum Operating Pressure Rating** ..... 125 PSI (860 KPa)

**Maximum Operating Temperature Rating** ..... 65 C (150 F)

**Shipping Weight** ..... 2.6 Lbs (1.2 Kg)



**P2670 Model Shown**



*Dimensions shown in inches (mm) are for reference only and are subject to change.*



**Ordering Code:**

**P2670 - -**

**Options**

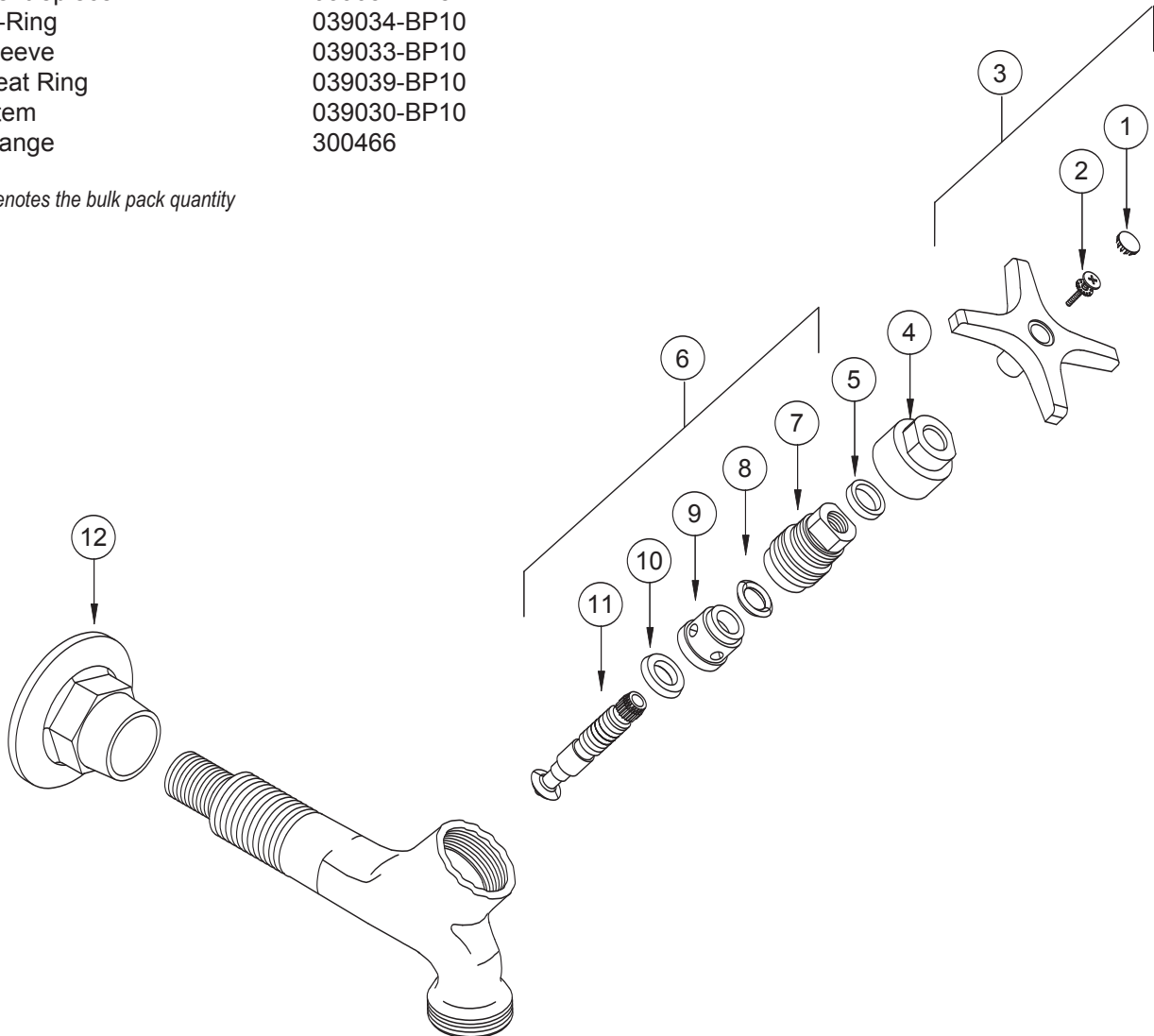
Self Closing Cartridge **SC**

Quarter Turn Cartridge **QT**

Vandal Resistant Handle **VH**

#	Description	Part #*
1	Button, Blue	039298-BP5
	Button, Red	039297-BP5
2	Screw	039328-BP25
3	3" Blade Handle Assy., Blue	039313
	3" Blade Handle Assy., Red	039314
4	Locknut	300631
5	O-Ring	039035-BP10
6	Cartridge	039038-BP5
7	Centrepiece	039032-BP5
8	O-Ring	039034-BP10
9	Sleeve	039033-BP10
10	Seat Ring	039039-BP10
11	Stem	039030-BP10
12	Flange	300466

\*BPx denotes the bulk pack quantity



# P2705 Sink Fitting, Deck Mount



**P2705 Specification:** Commercial grade sink fitting with 8" (203 mm) long swing spout featuring colour indexed vandal resistant metal handles, metering cartridges and a 2.0 GPM (7.6 L/min) aerator. Heavy duty cast brass body includes a resilient polished chrome plated cover and 1/2"-14 NPSM threaded inlets.

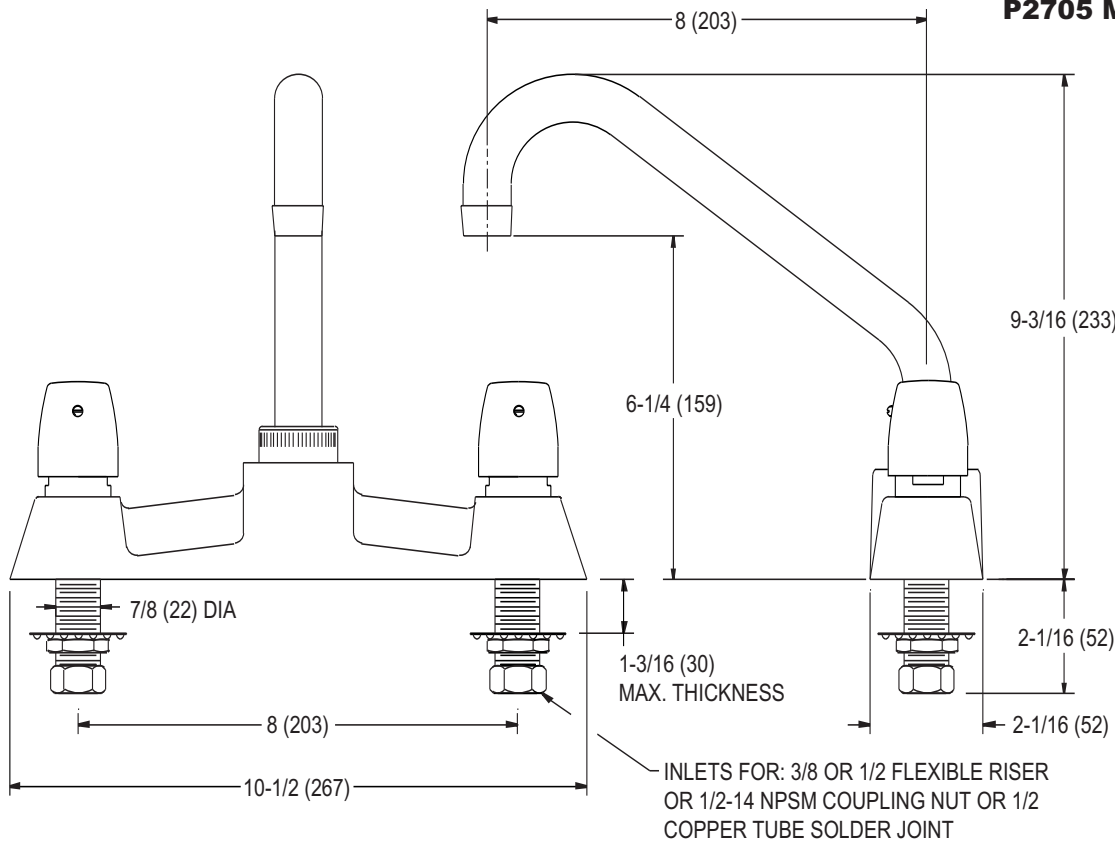
**Maximum Operating Pressure Rating** ..... 125 PSI (860 KPa)

**Maximum Operating Temperature Rating** ..... 65 C (150 F)

**Shipping Weight** ..... 4.3 Lbs (1.9 Kg)



**P2705 Model Shown**



Dimensions shown in inches (mm) are for reference only and are subject to change.

## Ordering Code:

**P2705 - -**

### Outlet Options

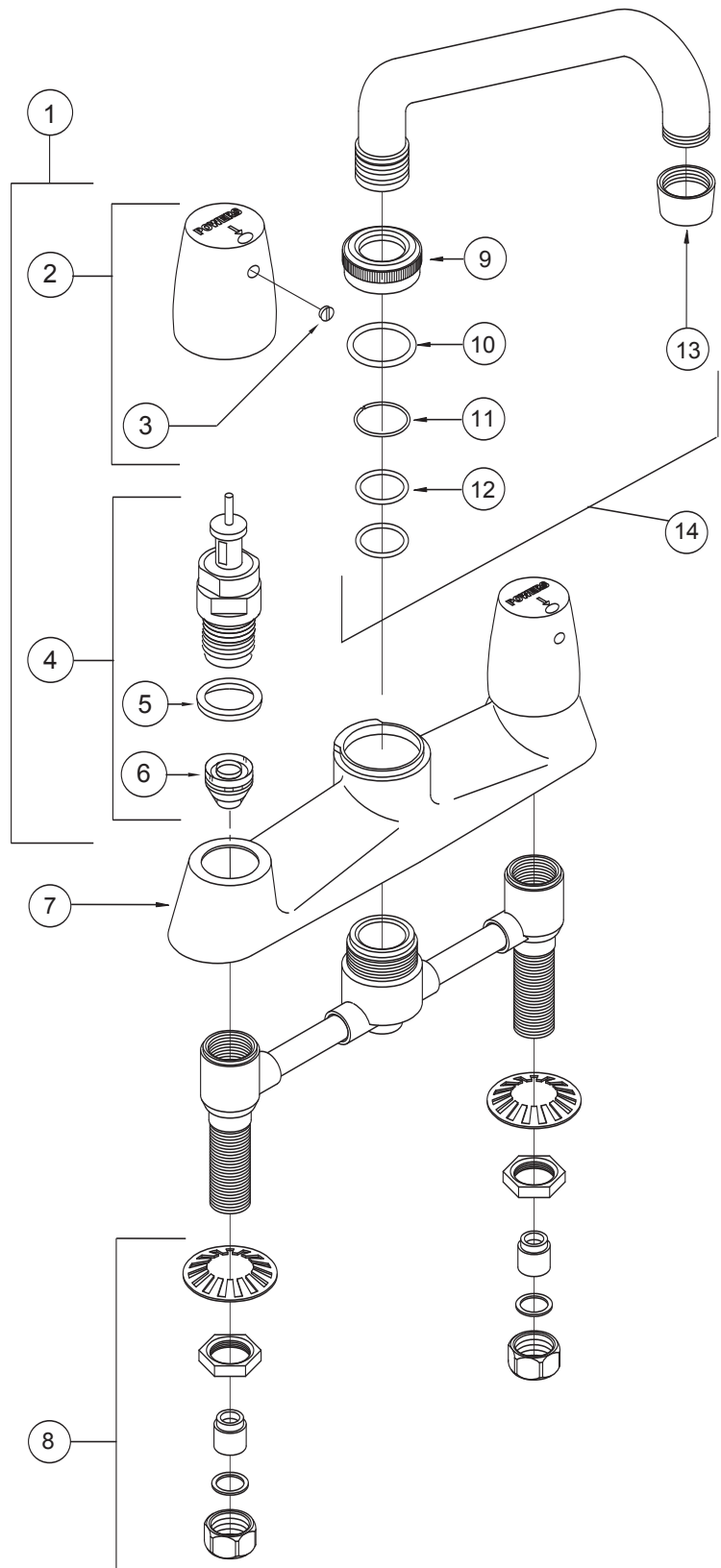
- |  |           |                          |
|--|-----------|--------------------------|
| Aerator (0.5 GPM, 1.9 L/min)                       | <b>A5</b> | <input type="checkbox"/> |
| Laminar Flow Outlet (2.0 GPM, 7.6 L/min)           | <b>LF</b> | <input type="checkbox"/> |
| Spray Face (2.0 GPM, 7.6 L/min)                    | <b>SF</b> | <input type="checkbox"/> |
| Vandal Resistant Aerator (0.5 GPM, 1.9 L/min)      | <b>V5</b> | <input type="checkbox"/> |
| Vandal Resistant Aerator (2.0 GPM, 7.6 L/min)      | <b>VA</b> | <input type="checkbox"/> |
| Vandal Resistant Laminar Flow (2.0 GPM, 7.6 L/min) | <b>VF</b> | <input type="checkbox"/> |

### Spout Options

- |           |                                  |                          |
|-----------|----------------------------------|--------------------------|
| <b>06</b> | Long Spout, 6" (152 mm)          | <input type="checkbox"/> |
| <b>10</b> | Long Spout, 10" (254 mm)         | <input type="checkbox"/> |
| <b>12</b> | Long Spout, 12" (304 mm)         | <input type="checkbox"/> |
| <b>G1</b> | Gooseneck Spout, 3-1/2" (89 mm)  | <input type="checkbox"/> |
| <b>G2</b> | Gooseneck Spout, 5-1/4" (133 mm) | <input type="checkbox"/> |
| <b>G3</b> | Gooseneck Spout, 8" (203 mm)     | <input type="checkbox"/> |

#	Description	Part #*
1	Cartridge / Handle Kit	675-031
2	Handle Kit	675-026
3	Handle Button Kit (red/blue)	675-032
4	Cartridge Kit	675-036
5	O-Ring	084-025
6	Diaphragm / Filter	675-028
7	Cover	302733PP
8	Hardware Kit	361024
9	Locknut	310854
10	Shim	311326
11	Locking Ring	300450
12	O-Ring	300451
13	Aerator	300994
15	Spout Assy.	355047
15	Filter Wrench (Not Shown)	675035-BP5

\*BPx denotes the bulk pack quantity



# P2710 Sink Fitting, Deck Mount

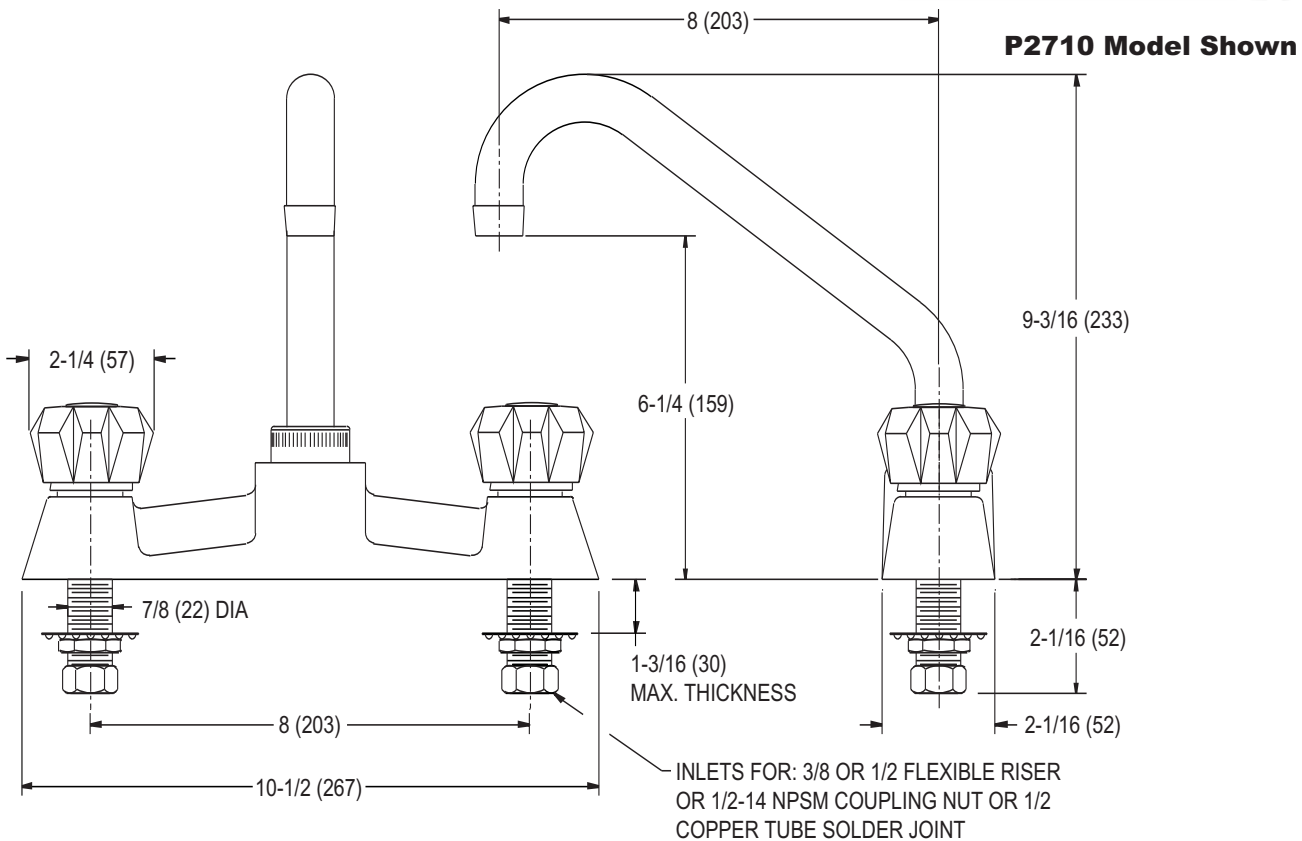


**P2710 Specification:** Commercial grade sink fitting with 8" (203 mm) long swing spout featuring "H" and "C" indexed acrylic handles, Dial-ese® cartridges and a 2.0 GPM (7.6 L/min) aerator. Heavy duty cast brass body includes a resilient polished chrome plated cover and 1/2"-14 NPSM threaded inlets.

**Maximum Operating Pressure Rating** ..... 125 PSI (860 KPa)

**Maximum Operating Temperature Rating** ..... 65 C (150 F)

**Shipping Weight** ..... 4.3 Lbs (1.9 Kg)



Dimensions shown in inches (mm) are for reference only and are subject to change.

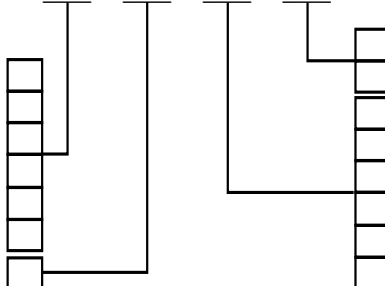


## Ordering Code:

### P2710 -

#### Outlet Options

- Aerator (0.5 GPM, 1.9 L/min) **A5**
- Laminar Flow Outlet (2.0 GPM, 7.6 L/min) **LF**
- Spray Face (2.0 GPM, 7.6 L/min) **SF**
- Vandal Resistant Aerator (0.5 GPM, 1.9 L/min) **V5**
- Vandal Resistant Aerator (2.0 GPM, 7.6 L/min) **VA**
- Vandal Resistant Laminar Flow (2.0 GPM, 7.6 L/min) **VF**
- Vandal Resistant Handles **VH**

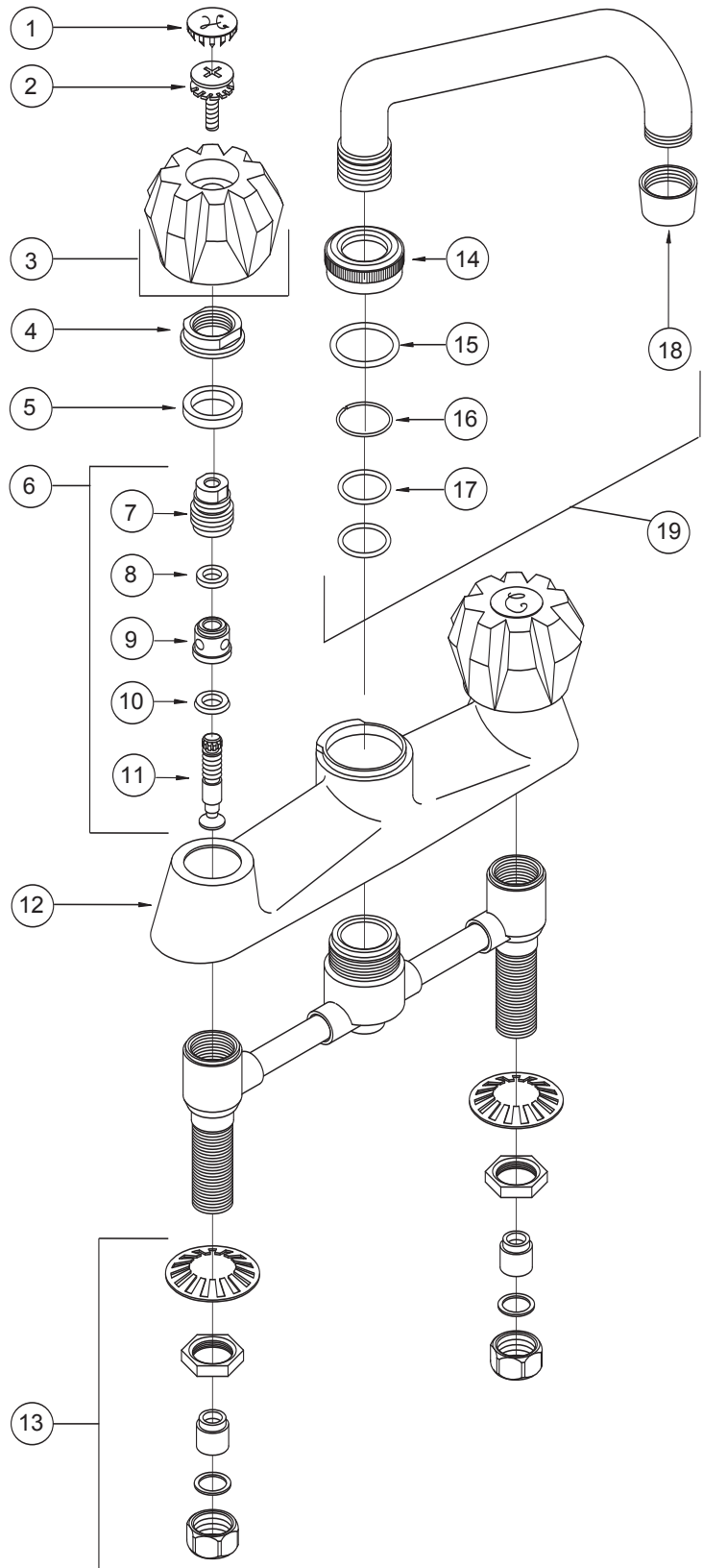


- SC** Self Closing Cartridges
- QT** Quarter Turn Cartridges
- 06** Long Spout, 6" (152 mm)
- 10** Long Spout, 10" (254 mm)
- 12** Long Spout, 12" (304 mm)
- G1** Gooseneck Spout, 3-1/2" (89 mm)
- G2** Gooseneck Spout, 5-1/4" (133 mm)
- G3** Gooseneck Spout, 8" (203 mm)



#	Description	Part #*
1	Button, Cold	039290-BP5
	Button, Hot	039289-BP5
2	Screw	039327-BP25
3	Acrylic Handle Assy., Cold	039287
	Acrylic Handle Assy., Hot	039288
4	Locknut	039028-BP10
5	O-Ring	039035-BP10
6	Cartridge	039038-BP5
7	Centrepiece	039032-BP5
8	O-Ring	039034-BP10
9	Sleeve	039033-BP10
10	Seat Ring	039039-BP10
11	Stem	039030-BP10
12	Cover	302733PP
13	Hardware Kit	361024
14	Locknut	310854
15	Shim	311326
16	Locking Ring	300450
17	O-Ring	300451
18	Aerator	300994
19	Spout Assy.	355047

\*BPx denotes the bulk pack quantity



# P2720 Sink Fitting, Deck Mount

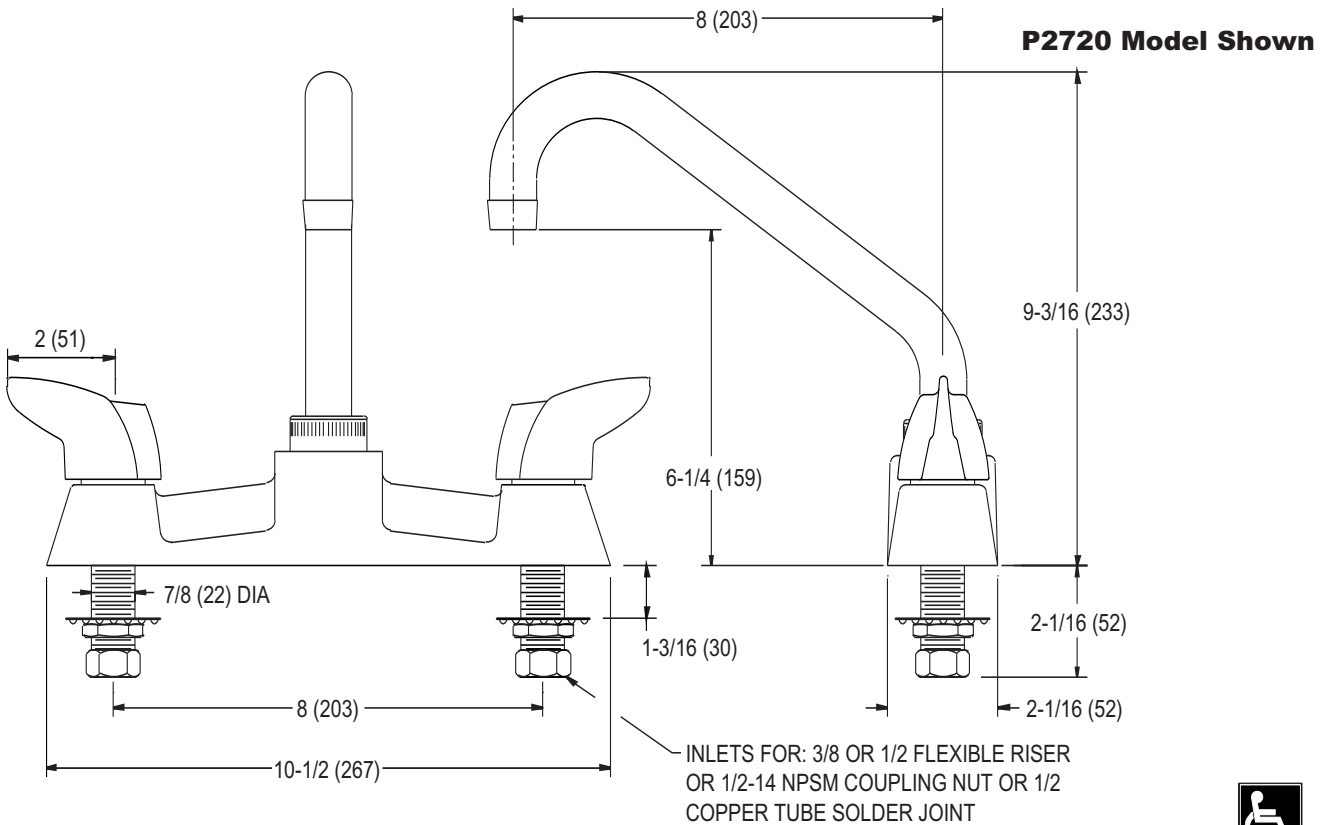


**P2720 Specification:** Commercial grade sink fitting with 8" (203 mm) long swing spout featuring "H" and "C" indexed hooded metal lever handles, Dial-ese® cartridges and a 2.0 GPM (7.6 L/min) aerator. Heavy duty cast brass body includes a resilient polished chrome plated cover and 1/2"-14 NPSM threaded inlets.

**Maximum Operating Pressure Rating** ..... 125 PSI (860 KPa)

**Maximum Operating Temperature Rating** ..... 65 C (150 F)

**Shipping Weight** ..... 4.3 Lbs (1.9 Kg)



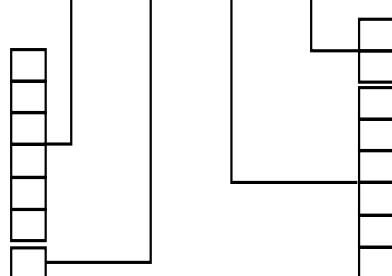
Dimensions shown in inches (mm) are for reference only and are subject to change.

**Ordering Code:**

**P2720 - - - - -**

**Outlet Options**

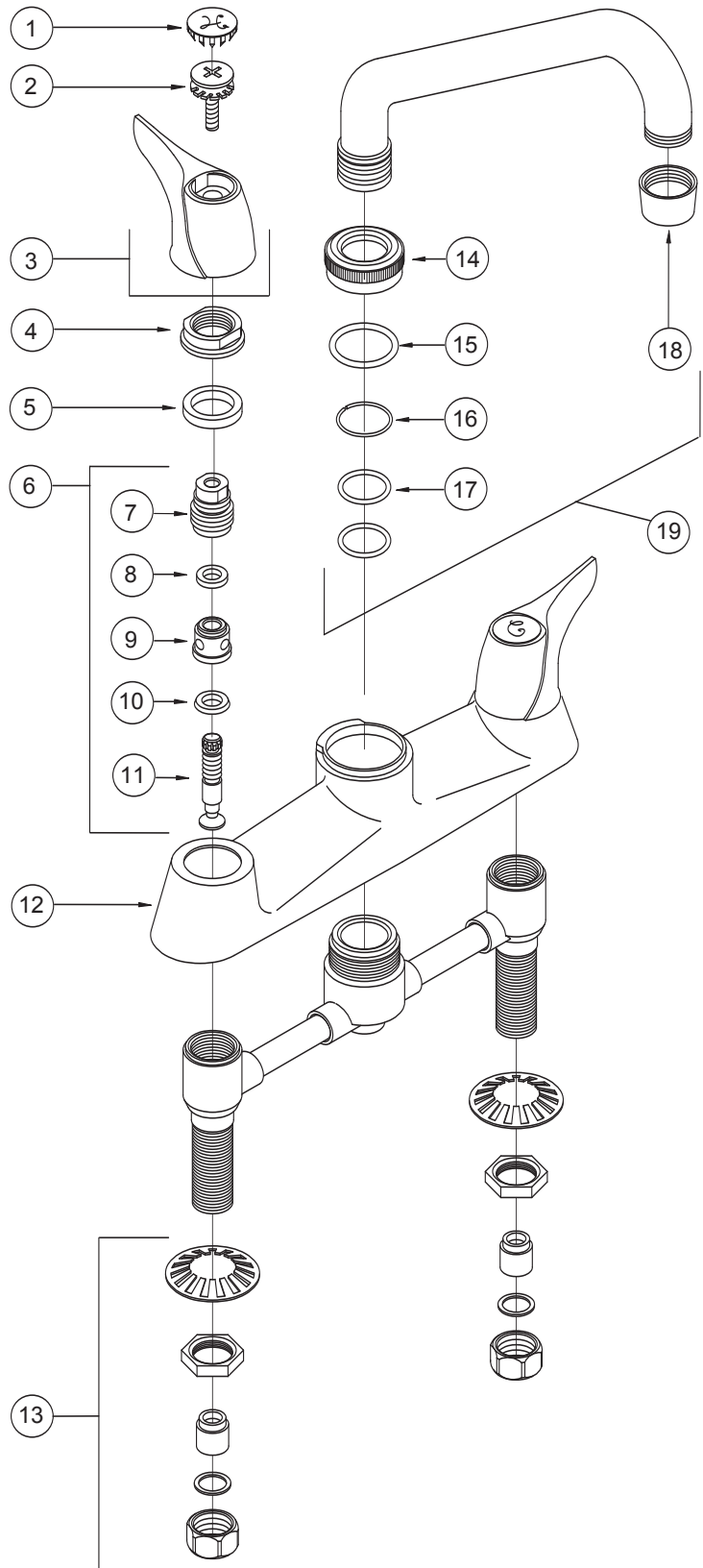
- Aerator (0.5 GPM, 1.9 L/min) **A5**
- Laminar Flow Outlet (2.0 GPM, 7.6 L/min) **LF**
- Spray Face (2.0 GPM, 7.6 L/min) **SF**
- Vandal Resistant Aerator (0.5 GPM, 1.9 L/min) **V5**
- Vandal Resistant Aerator (2.0 GPM, 7.6 L/min) **VA**
- Vandal Resistant Laminar Flow (2.0 GPM, 7.6 L/min) **VF**
- Vandal Resistant Handles **VH**



- SC** Self Closing Cartridges
- QT** Quarter Turn Cartridges
- 06** Long Spout, 6" (152 mm)
- 10** Long Spout, 10" (254 mm)
- 12** Long Spout, 12" (304 mm)
- G1** Gooseneck Spout, 3-1/2" (89 mm)
- G2** Gooseneck Spout, 5-1/4" (133 mm)
- G3** Gooseneck Spout, 8" (203 mm)

#	Description	Part #*
1	Button, Cold	039311-BP5
	Button, Hot	039312-BP5
2	Screw	039328-BP25
3	Lever Handle Assy., Cold	039309
	Lever Handle Assy., Hot	039310
4	Locknut	039028-BP10
5	O-Ring	039035-BP10
6	LH Cartridge	039038-BP5
	RH Cartridge	039037-BP5
7	LH Centrepiece	039032-BP5
	RH Centrepiece	039031-BP5
8	O-Ring	039034-BP10
9	Sleeve	039033-BP10
10	Seat Ring	039039-BP10
11	LH Stem	039030-BP10
	RH Stem	039029-BP10
12	Cover	302733PP
13	Hardware Kit	361024
14	Locknut	310854
15	Shim	311326
16	Locking Ring	300450
17	O-Ring	300451
18	Aerator	300994
19	Spout Assy.	311253

\*BPx denotes the bulk pack quantity



# P2722 Cover Plate, 8" Centre

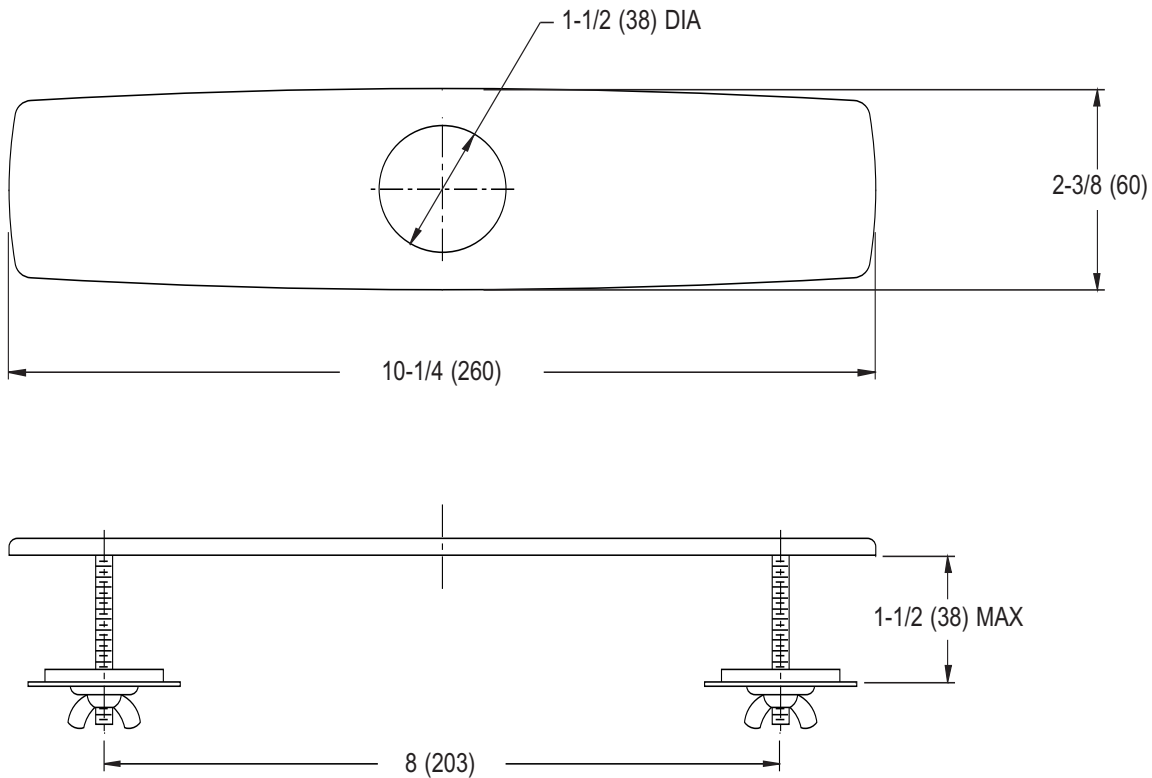


**P2722 Specification:** Commercial grade brass cover plate for 8" (203 mm) centres has a resilient polished chrome plated finish, threaded tie downs with installations hardware.



**Shipping Weight** ..... 1.0 Lbs (0.5 Kg)

**P2722 Model Shown**



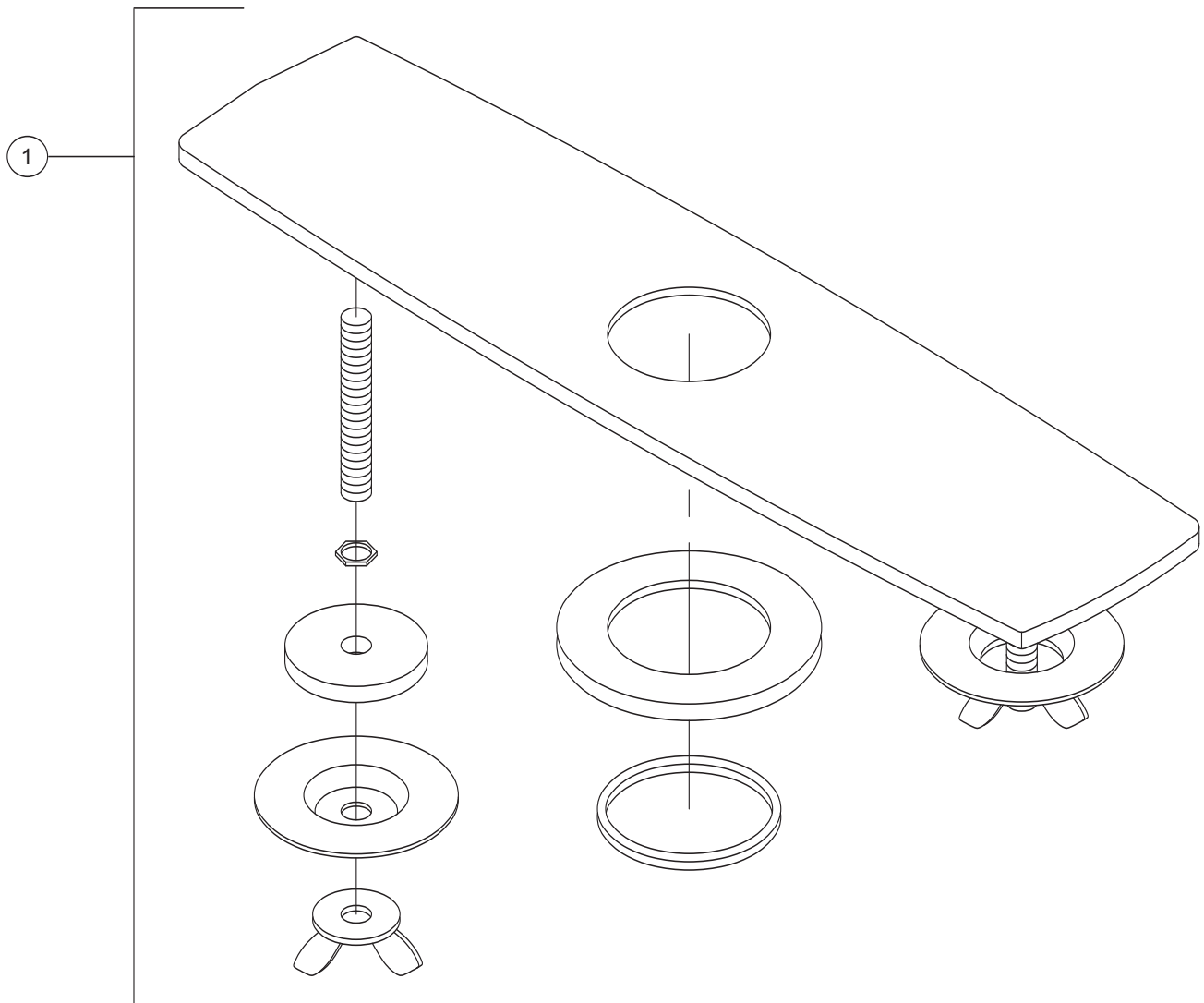
*Dimensions shown in inches (mm) are for reference only and are subject to change.*



**Ordering Code:**

**P2722**

#	Description	Part #*
1	8" Cover Plate Assy.	P2722



# P2723 Cover Plate, 4" Centre

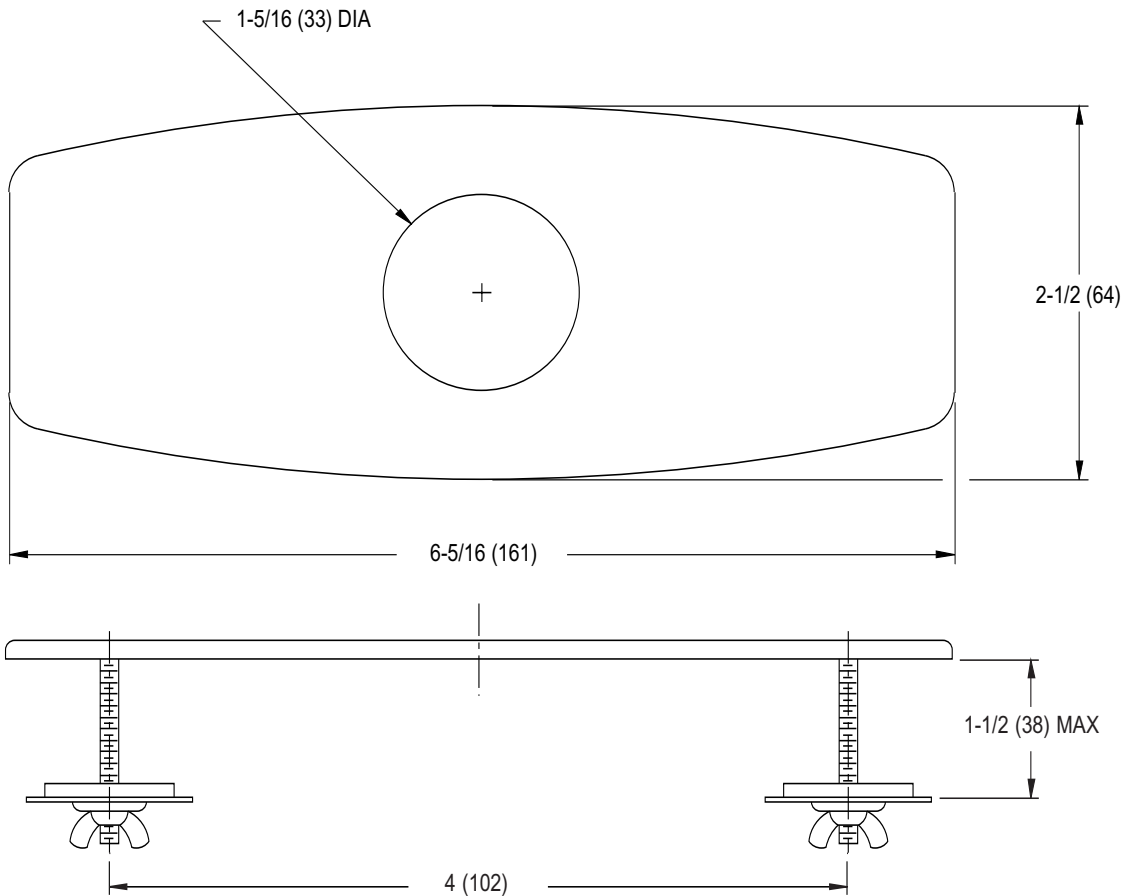


**P2723 Specification:** Commercial grade brass cover plate for 4" (102 mm) centres has a resilient polished chrome plated finish, threaded tie downs with installation hardware.



**Shipping Weight** ..... 0.5 Lbs (0.3 Kg)

**P2723 Model Shown**



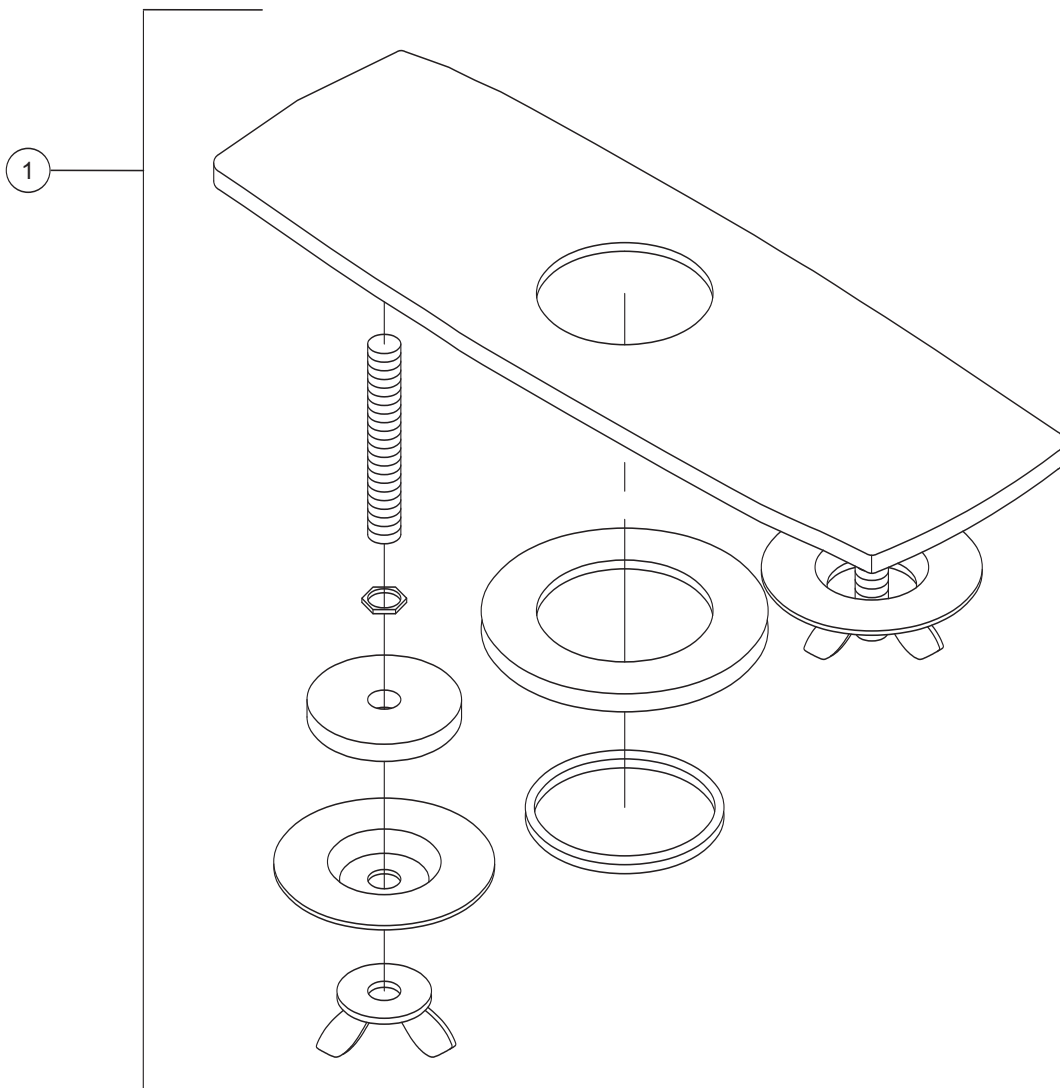
*Dimensions shown in inches (mm) are for reference only and are subject to change.*



**Ordering Code:**

**P2723**

#	Description	Part #*
1	4" Cover Plate Assy.	P2723



# P2730 Sink Fitting, Deck Mount



**P2730 Specification:** Commercial grade sink fitting with 8" (203 mm) long swing spout featuring colour indexed 3" metal blade handles, Dial-ese® cartridges and a 2.0 GPM (7.6 L/min) aerator. Heavy duty cast brass body includes a resilient polished chrome plated cover and 1/2"-14 NPSM threaded inlets.

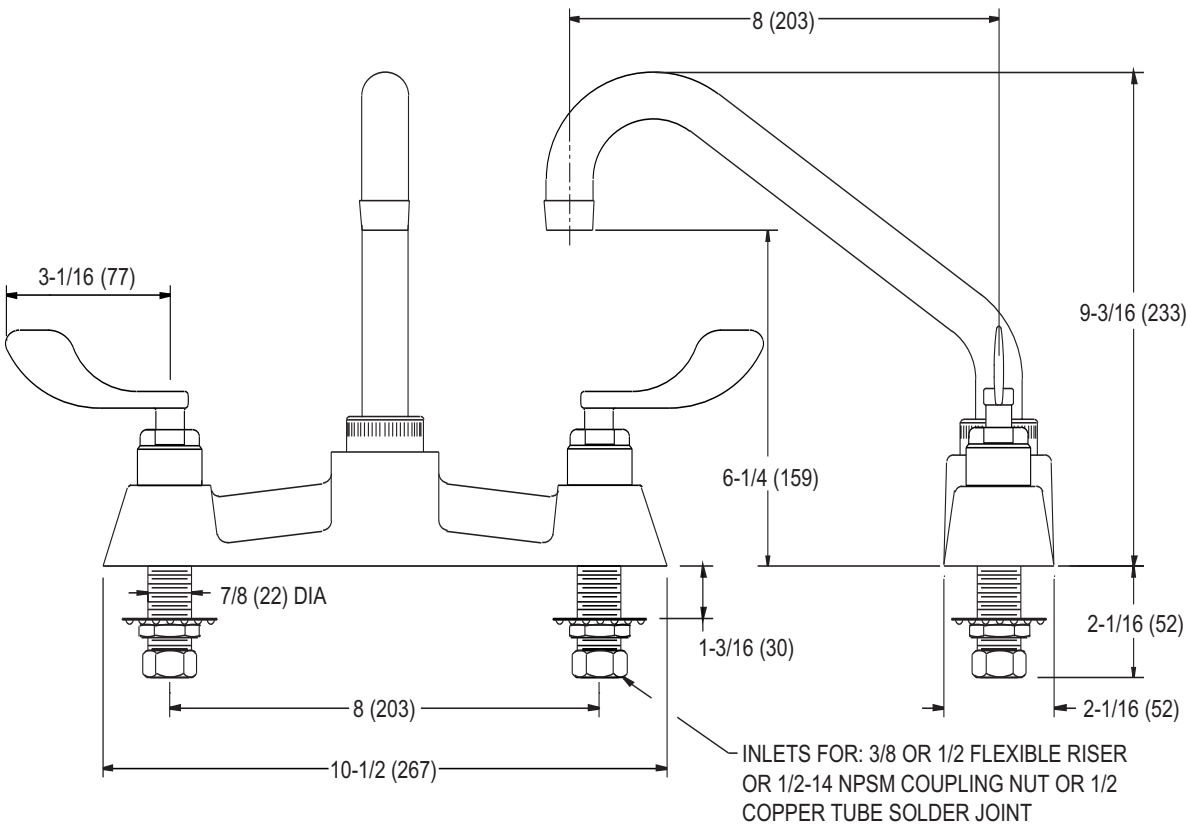
**Maximum Operating Pressure Rating** ..... 125 PSI (860 KPa)

**Maximum Operating Temperature Rating** ..... 65 C (150 F)

**Shipping Weight** ..... 4.3 Lbs (1.9 Kg)



**P2730 Model Shown**



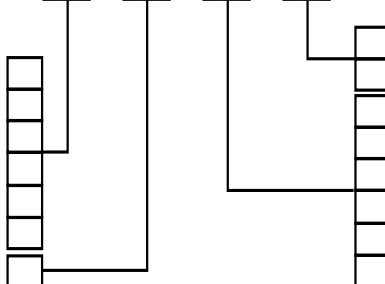
*Dimensions shown in inches (mm) are for reference only and are subject to change.*

**Ordering Code:**

**P2730 - - - -**

**Outlet Options**

- Aerator (0.5 GPM, 1.9 L/min) **A5**
- Laminar Flow Outlet (2.0 GPM, 7.6 L/min) **LF**
- Spray Face (2.0 GPM, 7.6 L/min) **SF**
- Vandal Resistant Aerator (0.5 GPM, 1.9 L/min) **V5**
- Vandal Resistant Aerator (2.0 GPM, 7.6 L/min) **VA**
- Vandal Resistant Laminar Flow (2.0 GPM, 7.6 L/min) **VF**
- Vandal Resistant Handles **VH**

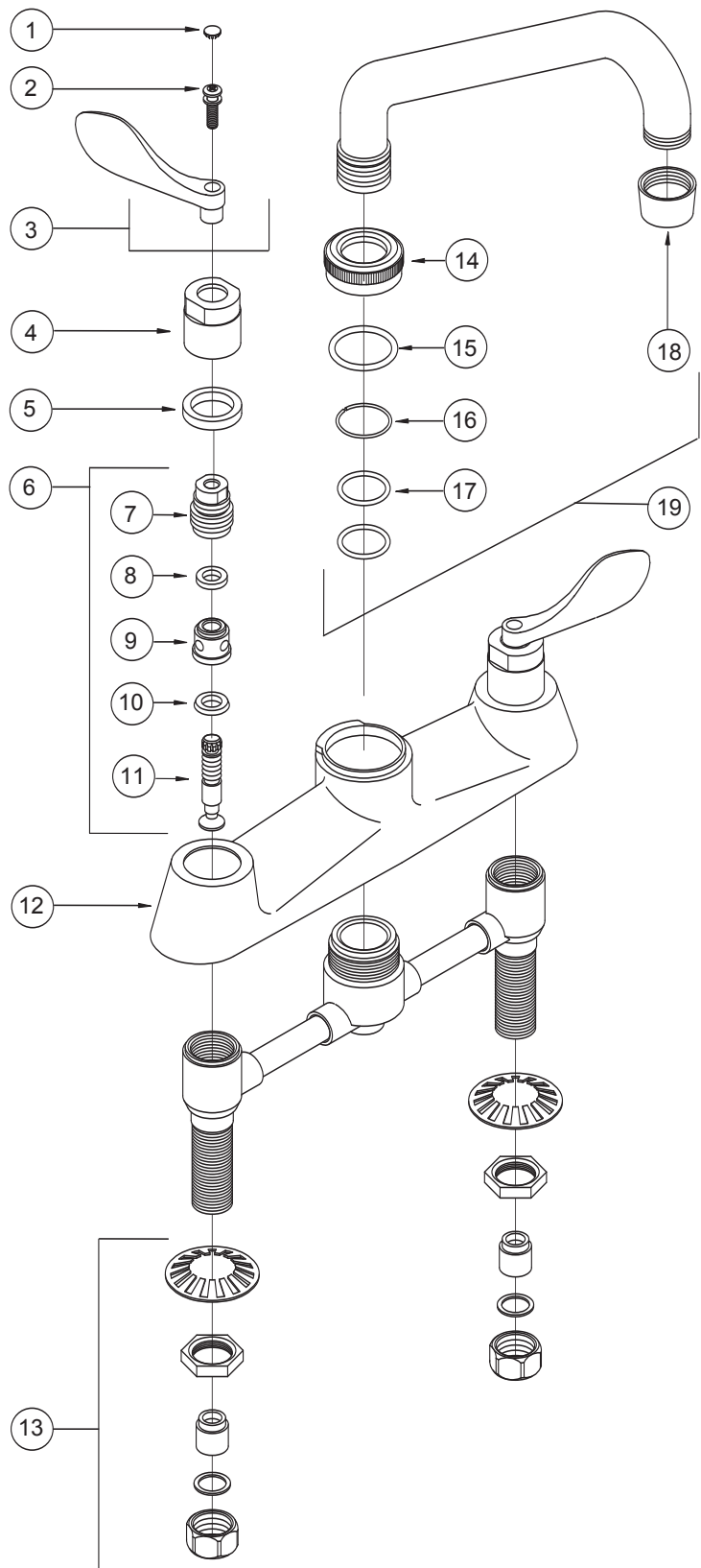


- SC** Self Closing Cartridges
- QT** Quarter Turn Cartridges
- 06** Long Spout, 6" (152 mm)
- 10** Long Spout, 10" (254 mm)
- 12** Long Spout, 12" (304 mm)
- G1** Gooseneck Spout, 3-1/2" (89 mm)
- G2** Gooseneck Spout, 5-1/4" (133 mm)
- G3** Gooseneck Spout, 8" (203 mm)



#	Description	Part #*
1	Button, Blue	039298-BP5
	Button, Red	039297-BP5
2	Screw	039328-BP25
3	3" Blade Handle Assy., Blue	039296
	3" Blade Handle Assy., Red	039295
4	Locknut	300631
5	O-Ring	039035-BP10
6	LH Cartridge	039038-BP5
	RH Cartridge	039037-BP5
7	LH Centrepiece	039032-BP5
	RH Centrepiece	039031-BP5
8	O-Ring	039034-BP10
9	Sleeve	039033-BP10
10	Seat Ring	039039-BP10
11	LH Stem	039030-BP10
	RH Stem	039029-BP10
12	Cover	302733PP
13	Hardware Kit	361024
14	Locknut	310854
15	Shim	311326
16	Locking Ring	300450
17	O-Ring	300451
18	Aerator	300994
19	Spout Assy.	355047

\*BPx denotes the bulk pack quantity



# P2740 Sink Fitting, Deck Mounted



**P2740 Specification:** Commercial grade sink fitting with 8" (203 mm) long swing spout featuring colour indexed 4-1/2" blade handles, Dial-ese cartridges and a 2.0 GPM (7.6 L/min) aerator. Heavy duty cast brass body includes a resilient polished chrome plated cover and 1/2"-14 NPSM threaded inlets.

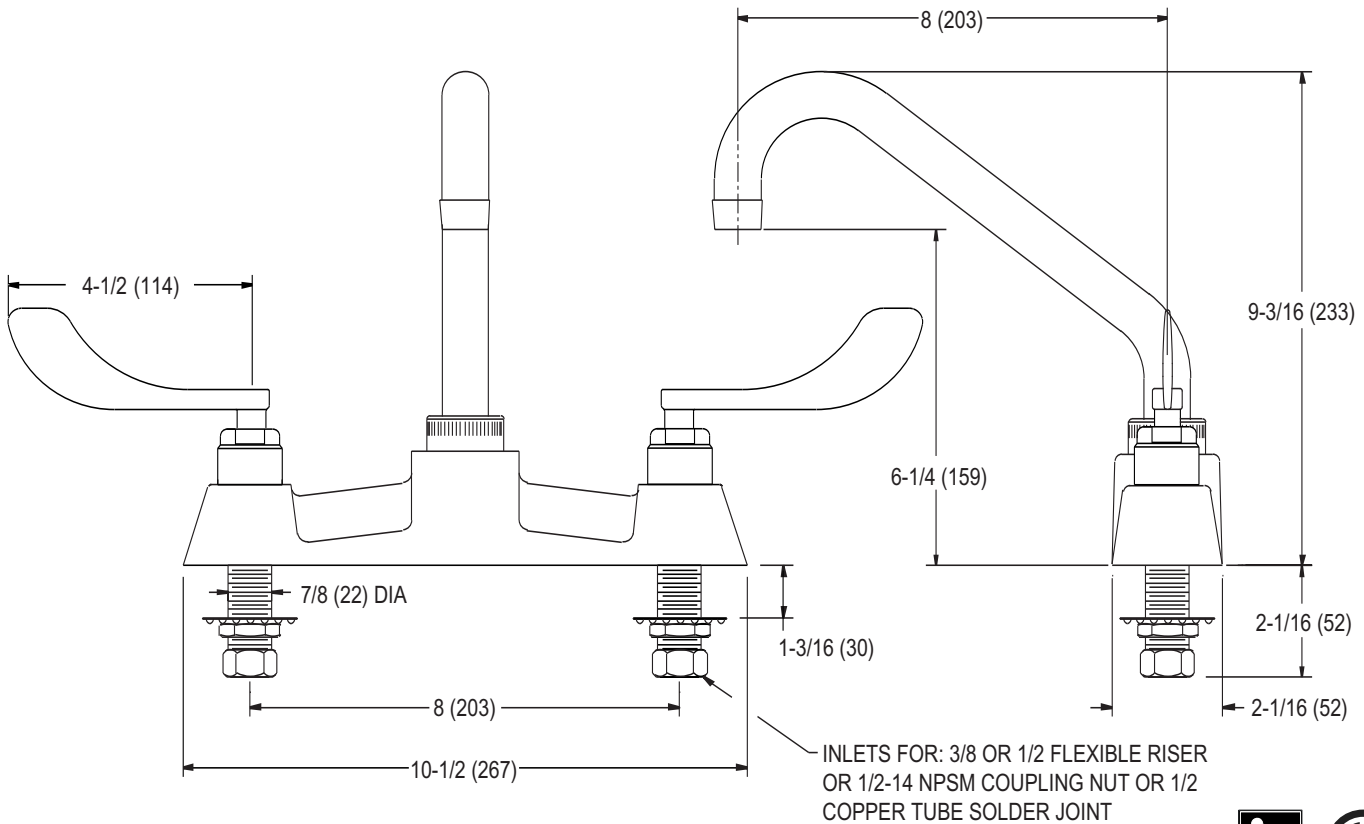
**Maximum Operating Pressure Rating** ..... 125 PSI (860 KPa)

**Maximum Operating Temperature Rating** ..... 65 C (150 F)

**Shipping Weight** ..... 4.3 Lbs (1.9 Kg)



**P2740 Model Shown**



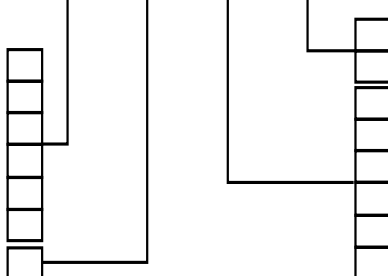
Dimensions shown in inches (mm) are for reference only and are subject to change.

**Ordering Code:**

**P2740 - - - -**

**Outlet Options**

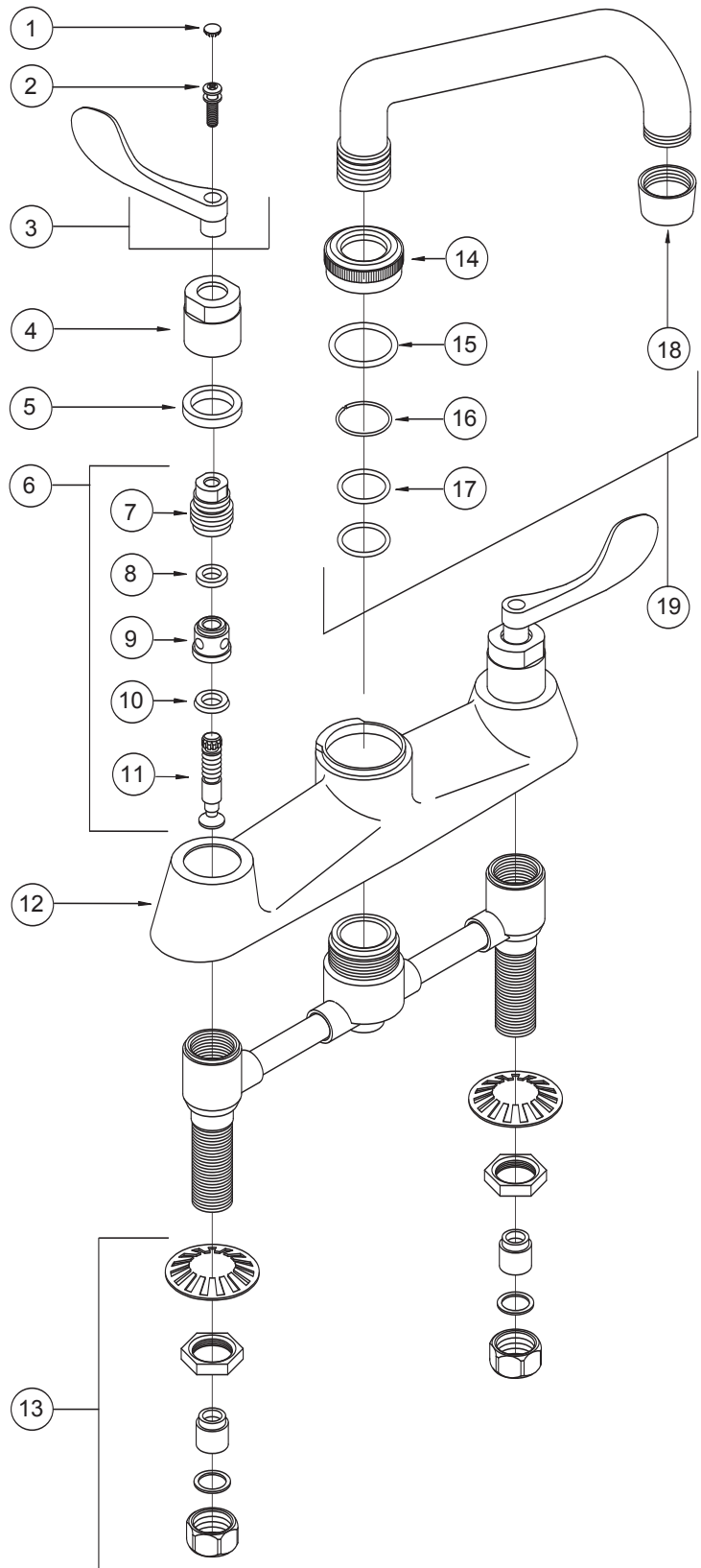
- Aerator (0.5 GPM, 1.9 L/min) **A5**
- Laminar Flow Outlet (2.0 GPM, 7.6 L/min) **LF**
- Spray Face (2.0 GPM, 7.6 L/min) **SF**
- Vandal Resistant Aerator (0.5 GPM, 1.9 L/min) **V5**
- Vandal Resistant Aerator (2.0 GPM, 7.6 L/min) **VA**
- Vandal Resistant Laminar Flow (2.0 GPM, 7.6 L/min) **VF**
- Vandal Resistant Handles **VH**



- SC** Self Closing Cartridges
- QT** Quarter Turn Cartridges
- 06** Long Spout, 6" (152 mm)
- 10** Long Spout, 10" (254 mm)
- 12** Long Spout, 12" (304 mm)
- G1** Gooseneck Spout, 3-1/2" (89 mm)
- G2** Gooseneck Spout, 5-1/4" (133 mm)
- G3** Gooseneck Spout, 8" (203 mm)

#	Description	Part #*
1	Button, Blue	039298-BP5
	Button, Red	039297-BP5
2	Screw	039328-BP25
3	4-1/2" Blade Handle Assy., Blue	039300
	4-1/2" Blade Handle Assy., Red	039299
4	Locknut	300631
5	O-Ring	039035-BP10
6	LH Cartridge	039038-BP5
	RH Cartridge	039037-BP5
7	LH Centrepiece	039032-BP5
	RH Centrepiece	039031-BP5
8	O-Ring	039034-BP10
9	Sleeve	039033-BP10
10	Seat Ring	039039-BP10
11	LH Stem	039030-BP10
	RH Stem	039029-BP10
12	Cover	302733PP
13	Hardware Kit	361024
14	Locknut	310854
15	Shim	311326
16	Locking Ring	300450
17	O-Ring	300451
18	Aerator	300994
19	Spout Assy.	355047

\*BPx denotes the bulk pack quantity



# P2750 Sink Fitting, Deck Mount



**P2750 Specification:** Commercial grade sink fitting with 8" (203 mm) long swing spout featuring "H" and "C" indexed 5-rib metal handles, Dial-ese® cartridges and a 2.0 GPM (7.6 L/min) aerator. Heavy duty cast brass body includes a resilient polished chrome plated cover and 1/2"-14 NPSM threaded inlets.

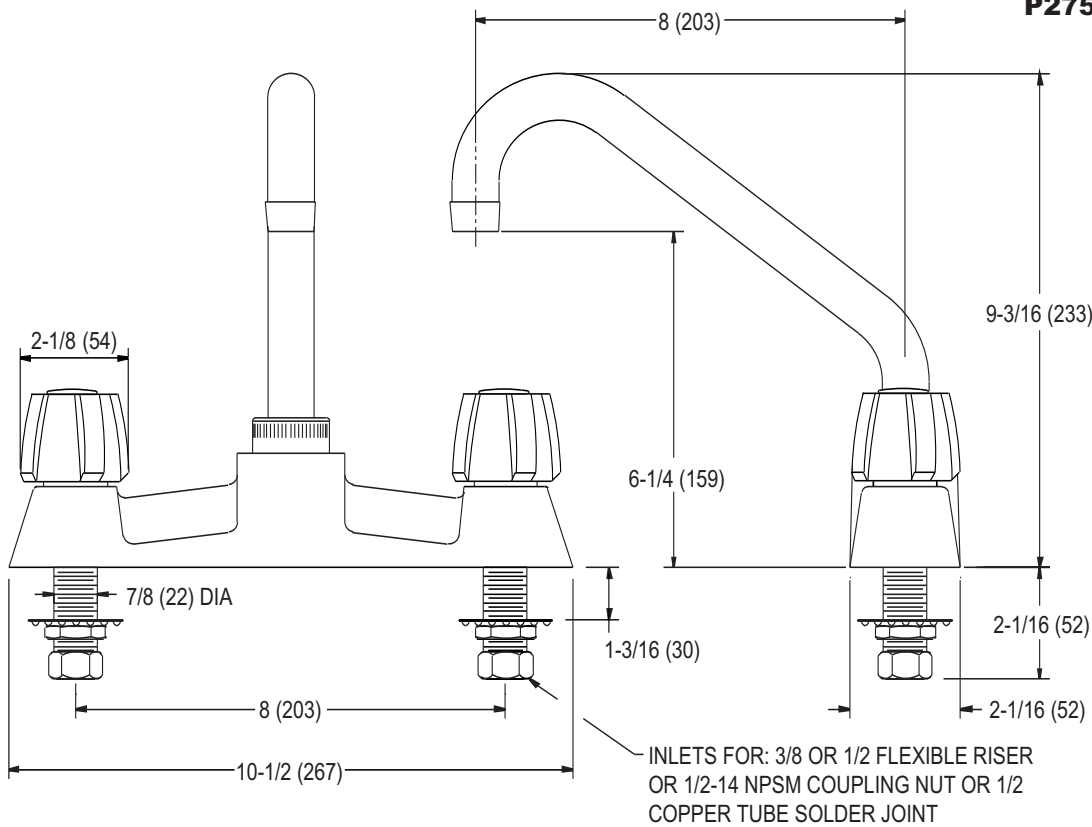
**Maximum Operating Pressure Rating** ..... 125 PSI (860 KPa)

**Maximum Operating Temperature Rating** ..... 65 C (150 F)

**Shipping Weight** ..... 4.3 Lbs (1.9 Kg)



**P2750 Model Shown**



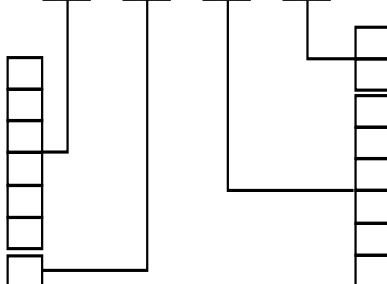
Dimensions shown in inches (mm) are for reference only and are subject to change.

**Ordering Code:**

**P2750 - - - -**

**Outlet Options**

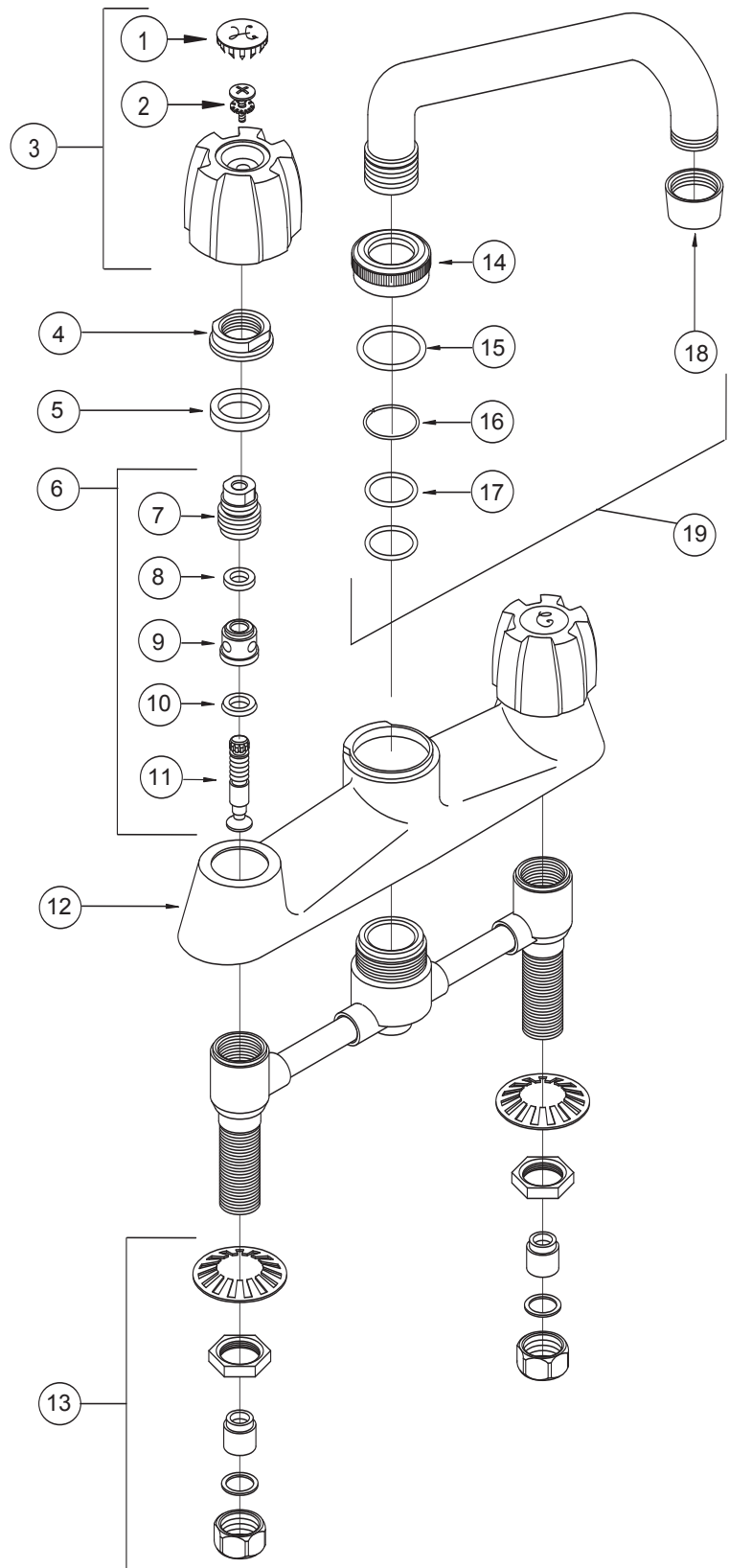
- Aerator (0.5 GPM, 1.9 L/min) **A5**
- Laminar Flow Outlet (2.0 GPM, 7.6 L/min) **LF**
- Spray Face (2.0 GPM, 7.6 L/min) **SF**
- Vandal Resistant Aerator (0.5 GPM, 1.9 L/min) **V5**
- Vandal Resistant Aerator (2.0 GPM, 7.6 L/min) **VA**
- Vandal Resistant Laminar Flow (2.0 GPM, 7.6 L/min) **VF**
- Vandal Resistant Handles **VH**



- SC** Self Closing Cartridges
- QT** Quarter Turn Cartridges
- 06** Long Spout, 6" (152 mm)
- 10** Long Spout, 10" (254 mm)
- 12** Long Spout, 12" (304 mm)
- G1** Gooseneck Spout, 3-1/2" (89 mm)
- G2** Gooseneck Spout, 5-1/4" (133 mm)
- G3** Gooseneck Spout, 8" (203 mm)

#	Description	Part #*
1	Button, Cold	039317-BP5
	Button, Hot	039318-BP5
2	Screw	039328-BP25
3	5-Rib Handle Assy., Cold	039315
	5-Rib Handle Assy., Hot	039316
4	Locknut	039028-BP10
5	O-Ring	039035-BP10
6	Cartridge	039038-BP5
7	Centrepiece	039032-BP5
8	O-Ring	039034-BP10
9	Sleeve	039033-BP10
10	Seat Ring	039039-BP10
11	Stem	039030-BP10
12	Cover	302733PP
13	Hardware Kit	361024
14	Locknut	310854
15	Shim	311326
16	Locking Ring	300450
17	O-Ring	300451
18	Aerator	300994
19	Spout Assy.	355047

\*BPx denotes the bulk pack quantity



# P2760 Sink Fitting, Deck Mount



**P2760 Specification:** Commercial grade sink fitting with 8" (203 mm) long swing spout featuring colour indexed 6" metal blade handles, Dial-ese® cartridges and a 2.0 GPM (7.6 L/min) aerator. Heavy duty cast brass body includes a resilient polished chrome plated cover and 1/2"-14 NPSM threaded inlets.

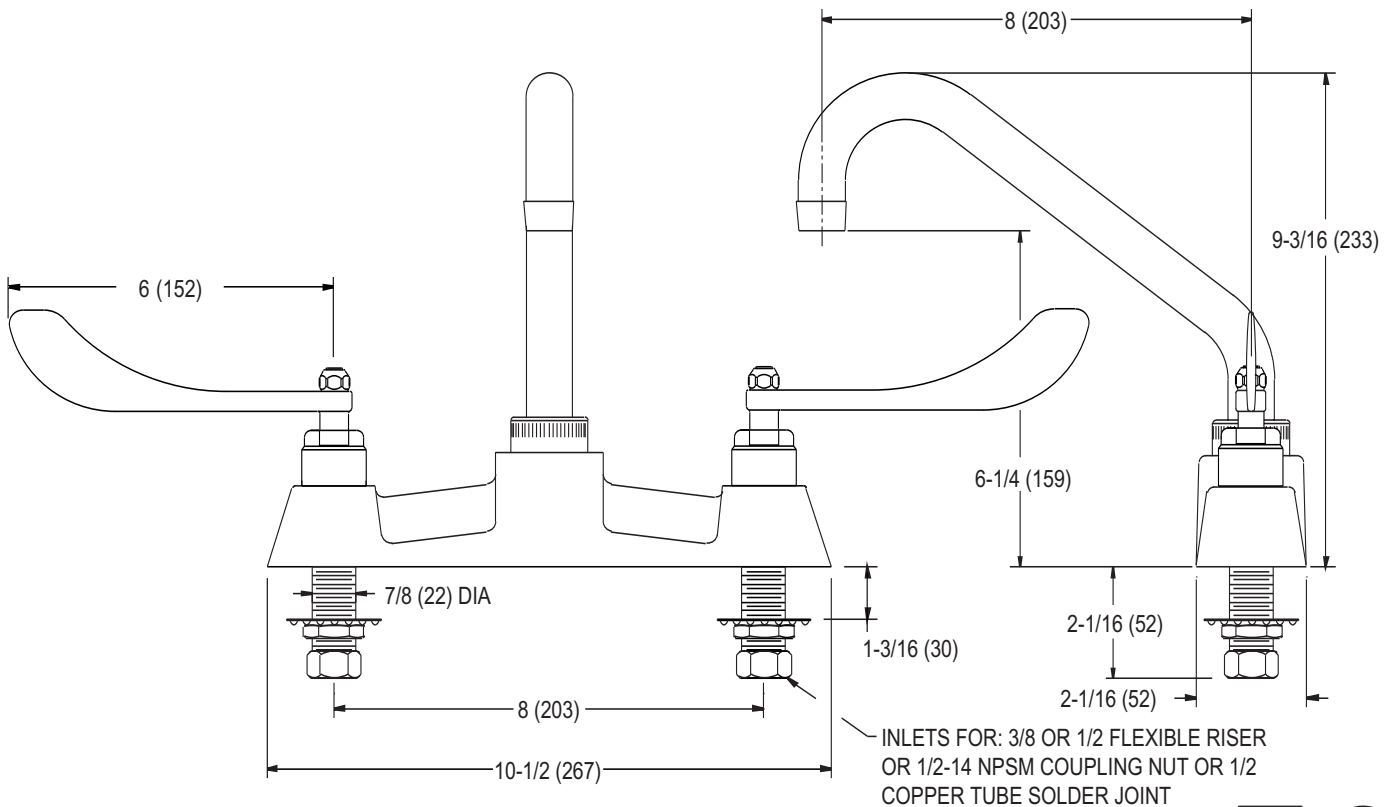
**Maximum Operating Pressure Rating** ..... 125 PSI (860 KPa)

**Maximum Operating Temperature Rating** ..... 65 C (150 F)

**Shipping Weight** ..... 4.3 Lbs (1.9 Kg)



**P2760 Model Shown**



Dimensions shown in inches (mm) are for reference only and are subject to change.

**Ordering Code:**

**P2760 - - -**

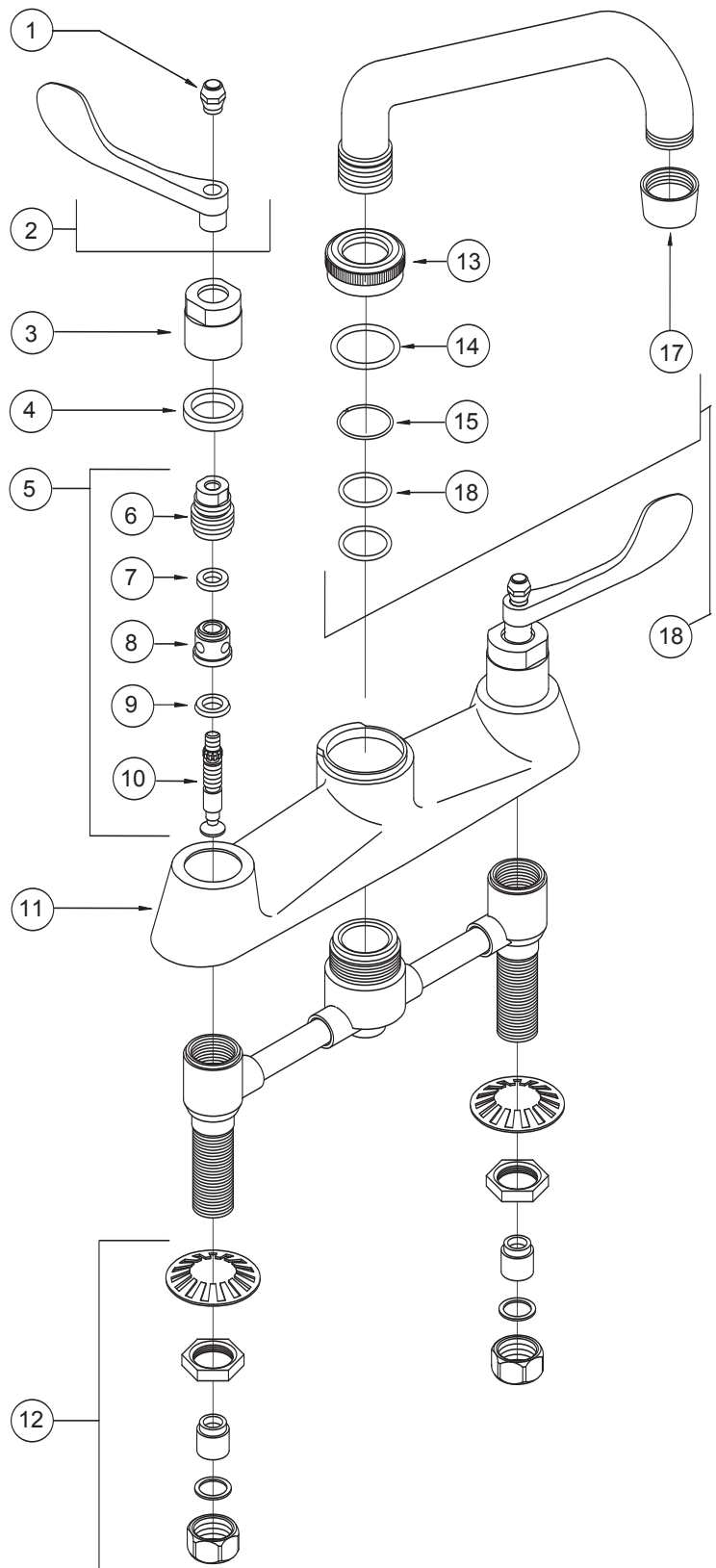
**Outlet Options**

- Aerator (0.5 GPM, 1.9 L/min) **A5**
- Laminar Flow Outlet (2.0 GPM, 7.6 L/min) **LF**
- Spray Face (2.0 GPM, 7.6 L/min) **SF**
- Vandal Resistant Aerator (0.5 GPM, 1.9 L/min) **V5**
- Vandal Resistant Aerator (2.0 GPM, 7.6 L/min) **VA**
- Vandal Resistant Laminar Flow (2.0 GPM, 7.6 L/min) **VF**

- QT** Quarter Turn Cartridges
- A5** Long Spout, 6" (152 mm)
- LF** Long Spout, 10" (254 mm)
- SF** Long Spout, 12" (304 mm)
- V5** Gooseneck Spout, 3-1/2" (89 mm)
- VA** Gooseneck Spout, 5-1/4" (133 mm)
- VF** Gooseneck Spout, 8" (203 mm)

#	Description	Part #*
1	Cap Nut, Blue	039302-BP5
	Cap Nut, Red	039301-BP5
2	6" Blade Handle Assy., Blue	039319
	6" Blade Handle Assy., Red	039320
3	Locknut	300631
4	O-Ring	039035-BP10
5	LH Cartridge	039064-BP5
	RH Cartridge	039065-BP5
6	LH Centrepiece	039032-BP5
	RH Centrepiece	039031-BP5
7	O-Ring	039034-BP10
8	Sleeve	039033-BP10
9	Seat Ring	039039-BP10
10	LH Stem	039055-BP5
	RH Stem	039056-BP5
11	Cover	302733PP
12	Hardware Kit	361024
13	Locknut	310854
14	Shim	311326
15	Locking Ring	300450
16	O-Ring	300451
17	Aerator	300994
18	Spout Assy.	355047

\*BPx denotes the bulk pack quantity



# P2770 Sink Fitting, Deck Mount

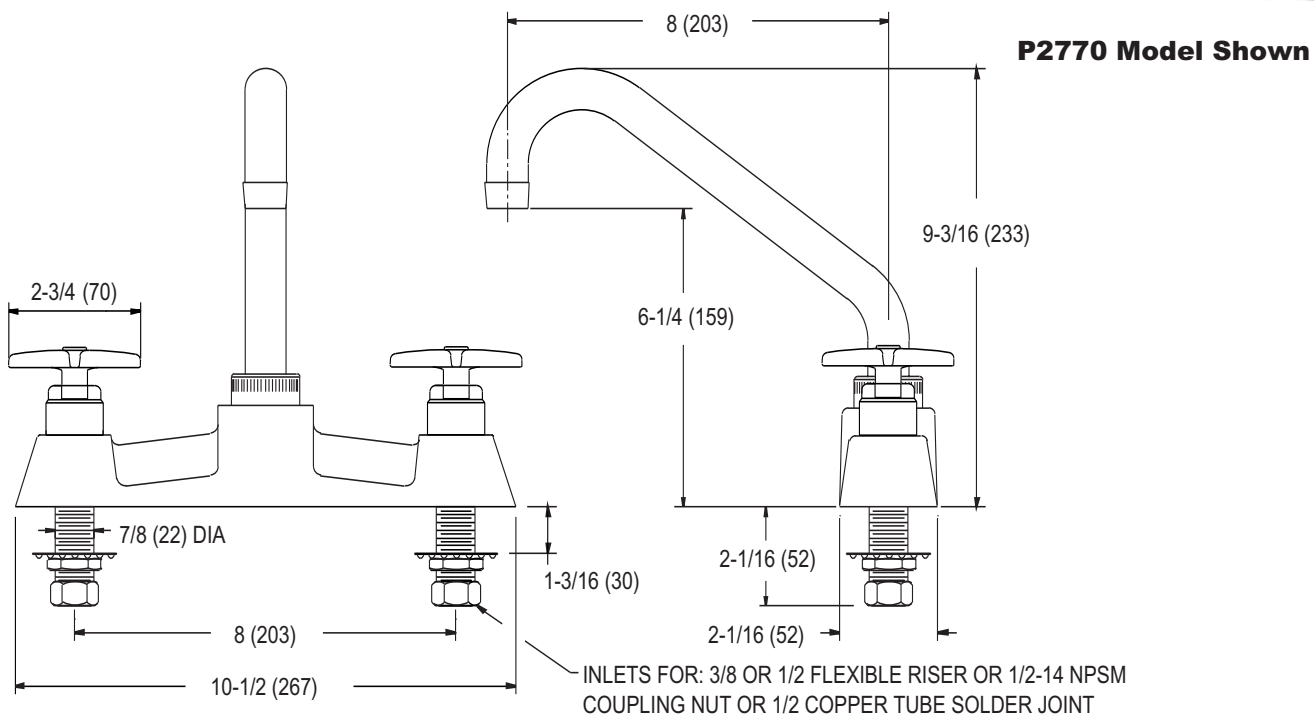


**P2770 Specification:** Commercial grade sink fitting with 8" (203 mm) long swing spout featuring colour indexed cross handles, Dial-ese® cartridges and a 2.0 GPM (7.6 L/min) aerator. Heavy duty cast brass body includes a resilient polished chrome plated cover and 1/2"-14 NPSM threaded inlets.

**Maximum Operating Pressure Rating** ..... 125 PSI (860 KPa)

**Maximum Operating Temperature Rating** ..... 65 C (150 F)

**Shipping Weight** ..... 4.3 Lbs (1.9 Kg)



Dimensions shown in inches (mm) are for reference only and are subject to change.

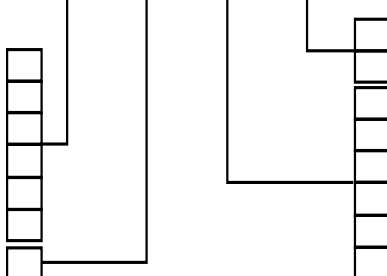


## Ordering Code:

**P2770 - - - - -**

### Outlet Options

- Aerator (0.5 GPM, 1.9 L/min) **A5**
- Laminar Flow Outlet (2.0 GPM, 7.6 L/min) **LF**
- Spray Face (2.0 GPM, 7.6 L/min) **SF**
- Vandal Resistant Aerator (0.5 GPM, 1.9 L/min) **V5**
- Vandal Resistant Aerator (2.0 GPM, 7.6 L/min) **VA**
- Vandal Resistant Laminar Flow (2.0 GPM, 7.6 L/min) **VF**
- Vandal Resistant Handles **VH**

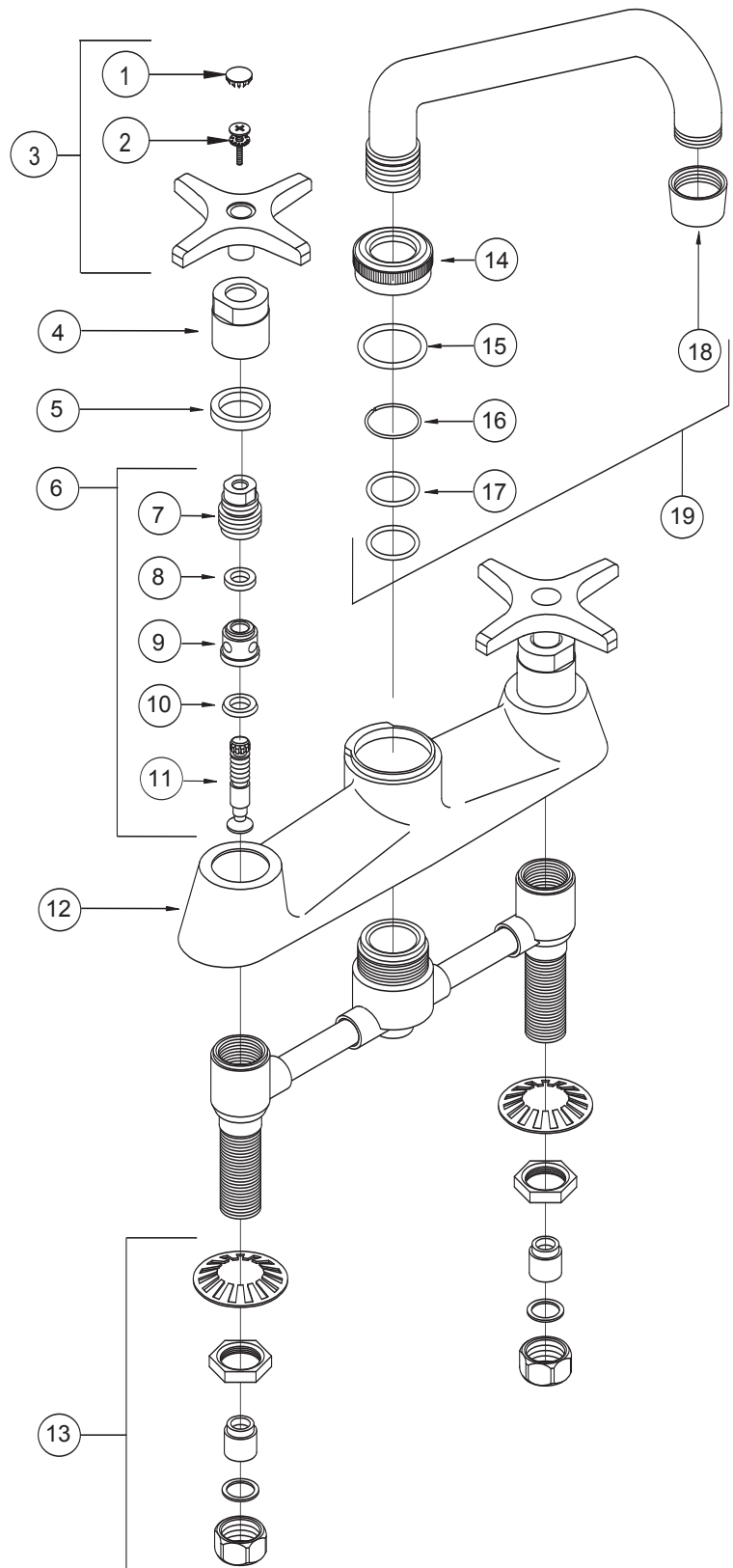


- SC** Self Closing Cartridges
- QT** Quarter Turn Cartridges
- 06** Long Spout, 6" (152 mm)
- 10** Long Spout, 10" (254 mm)
- 12** Long Spout, 12" (304 mm)
- G1** Gooseneck Spout, 3-1/2" (89 mm)
- G2** Gooseneck Spout, 5-1/4" (133 mm)
- G3** Gooseneck Spout, 8" (203 mm)



#	Description	Part #*
1	Button, Blue	039298-BP5
	Button, Red	039297-BP5
2	Screw	039328-BP25
3	Cross Handle Assy., Blue	039313
	Cross Handle Assy., Red	039314
4	Locknut	300631
5	O-Ring	039035-BP10
6	Cartridge	039038-BP5
7	Centrepiece	039032-BP5
8	O-Ring	039034-BP10
9	Sleeve	039033-BP10
10	Seat Ring	039039-BP10
11	Stem	039030-BP10
12	Cover	302733PP
13	Hardware Kit	361024
14	Locknut	310854
15	Shim	311326
16	Locking Ring	300450
17	O-Ring	300451
18	Aerator	300994
19	Spout Assy.	355047

\*BPx denotes the bulk pack quantity



# P3130 Sink Fitting With Gooseneck, WM



**P3130 Specification:** Commercial grade wall mount sink fitting complete with rigid gooseneck spout featuring colour indexed 3" metal blade handles, Dial-ese® cartridges and a 2.0 GPM (7.6 L/min) aerator. Heavy duty cast brass body includes a resilient polished chrome plated finish. Standard integral stops with 1/2" IPS inlets and adjustable centres from 5" (127 mm) to 11" (279 mm).

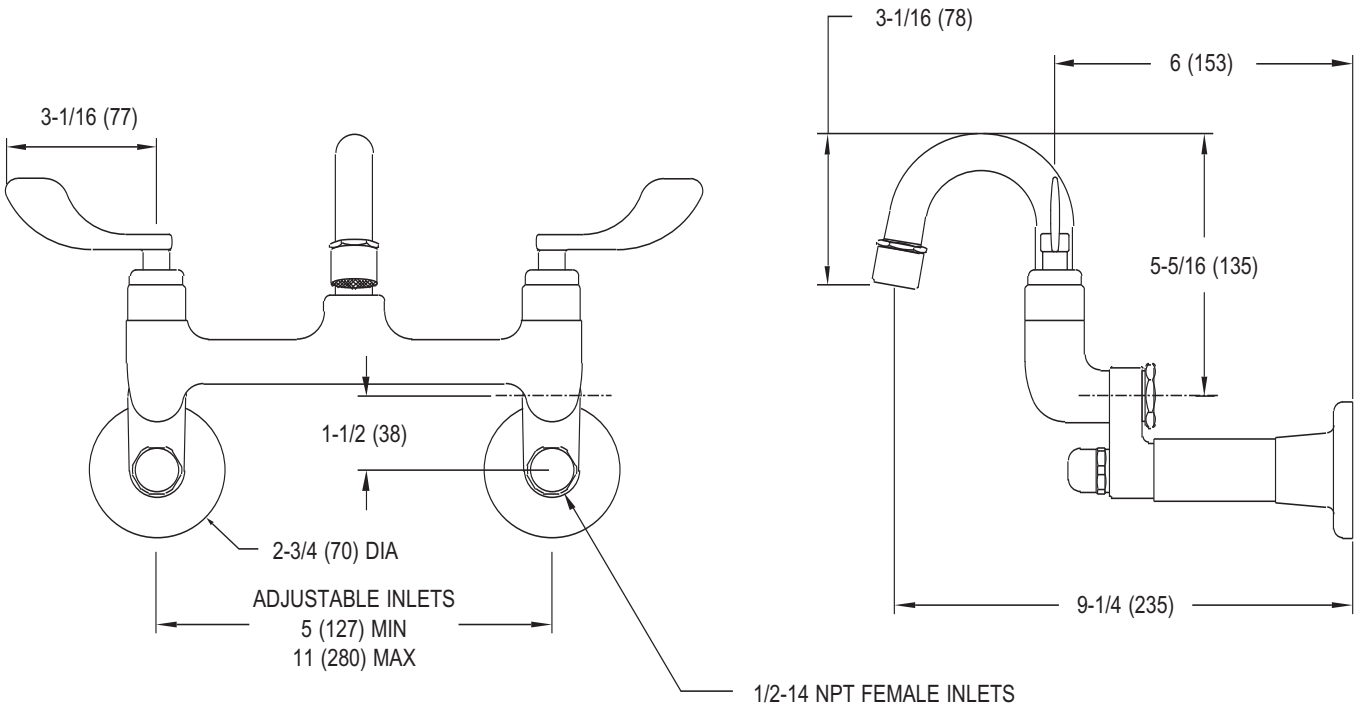
**Maximum Operating Pressure Rating** ..... 125 PSI (860 KPa)

**Maximum Operating Temperature Rating** ..... 65 C (150 F)

**Shipping Weight** ..... 6.0 Lbs (2.7 Kg)



**P3130 Model Shown**



*Dimensions shown in inches (mm) are for reference only and are subject to change.*

**Ordering Code:**

**P3130 - - -**

**Outlet Options**

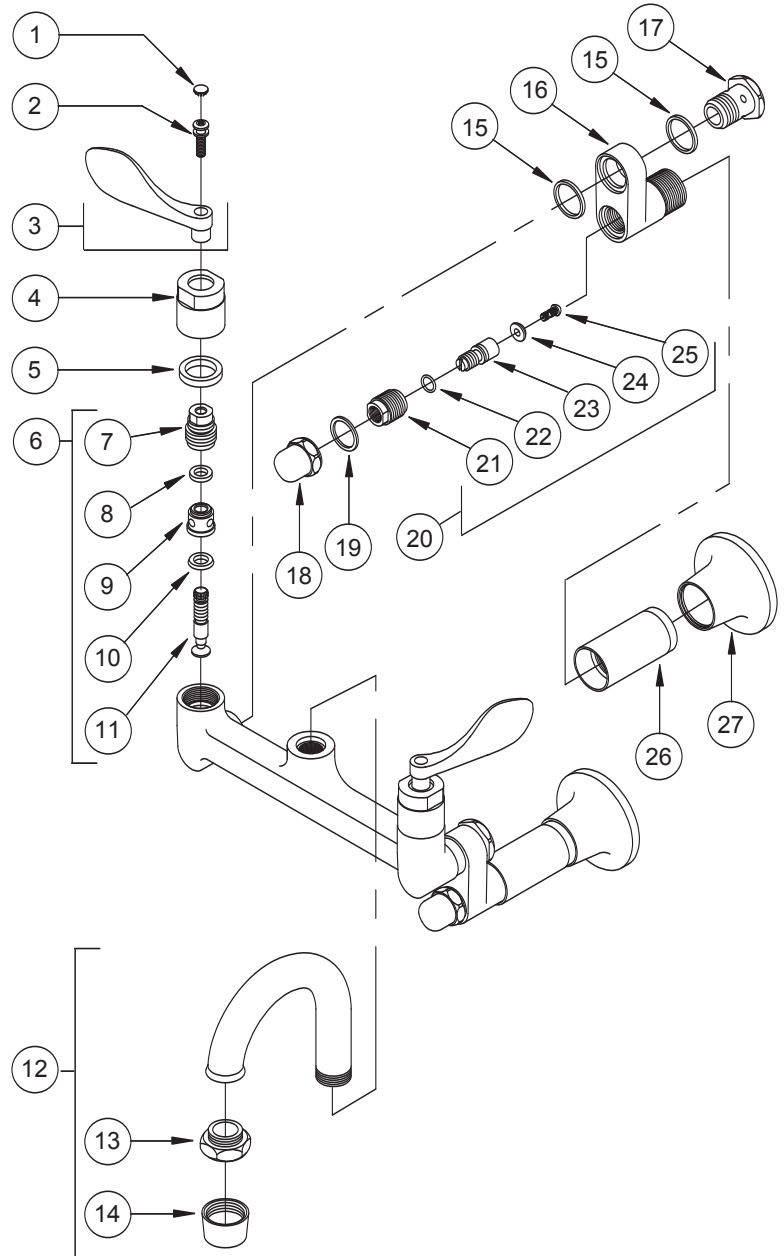
- Aerator (0.5 GPM, 1.9 L/min) **A5**
- Laminar Flow Outlet (2.0 GPM, 7.6 L/min) **LF**
- Spray Face (2.0 GPM, 7.6 L/min) **SF**
- Vandal Resistant Aerator (0.5 GPM, 1.9 L/min) **V5**
- Vandal Resistant Aerator (2.0 GPM, 7.6 L/min) **VA**
- Vandal Resistant Laminar Flow (2.0 GPM, 7.6 L/min) **VF**

**Additional Options**

- VH** Vandal Resistant Handles
- SC** Self Closing Cartridges
- QT** Quarter Turn Cartridges
- G1** Gooseneck Spout 3-1/2" (89 mm)
- G2** Gooseneck Spout 5-1/4" (133 mm)
- G3** Gooseneck Spout 8" (203 mm)

#	Description	Part #*
1	Button, Blue	039298-BP5
	Button, Red	039297-BP5
2	Screw	039328-BP25
3	3" Blade Handle Assy., Blue	039296
	3" Blade Handle Assy., Red	039295
4	Locknut	300631
5	O-Ring	039035-BP10
6	LH Cartridge	039038-BP5
	RH Cartridge	039037-BP5
7	LH Centrepiece	039032-BP5
	RH Centrepiece	039031-BP5
8	O-Ring	039034-BP10
9	Sleeve	039033-BP10
10	Seat Ring	039039-BP10
11	LH Stem	039030-BP10
	RH Stem	039029-BP10
12	Spout Assy.	361009
13	Aerator Adapter	303706
14	Aerator	300994
15	Gasket	300670
16	Shank	301047
17	Shank Connector	300671
18	Cap	300673
19	Gasket	300674
20	Cartridge	356229
21	Centrepiece	301042
22	O-Ring	301045
23	Stem	301043
24	Disc	301044
25	Screw	301046
26	Sleeve	309342
27	Flange	309343

\*BPx denotes the bulk pack quantity



# P3140 Sink Fitting With Gooseneck, WM



**P3140 Specification:** Commercial grade wall mount sink fitting complete with rigid gooseneck spout featuring colour indexed 4-1/2" metal blade handles, Dial-ese® cartridges and a 2.0 GPM (7.6 L/min) aerator. Heavy duty cast brass body includes a resilient polished chrome plated finish. Standard integral stops with 1/2" IPS inlets and adjustable centres from 5" (127 mm) to 11" (279 mm).

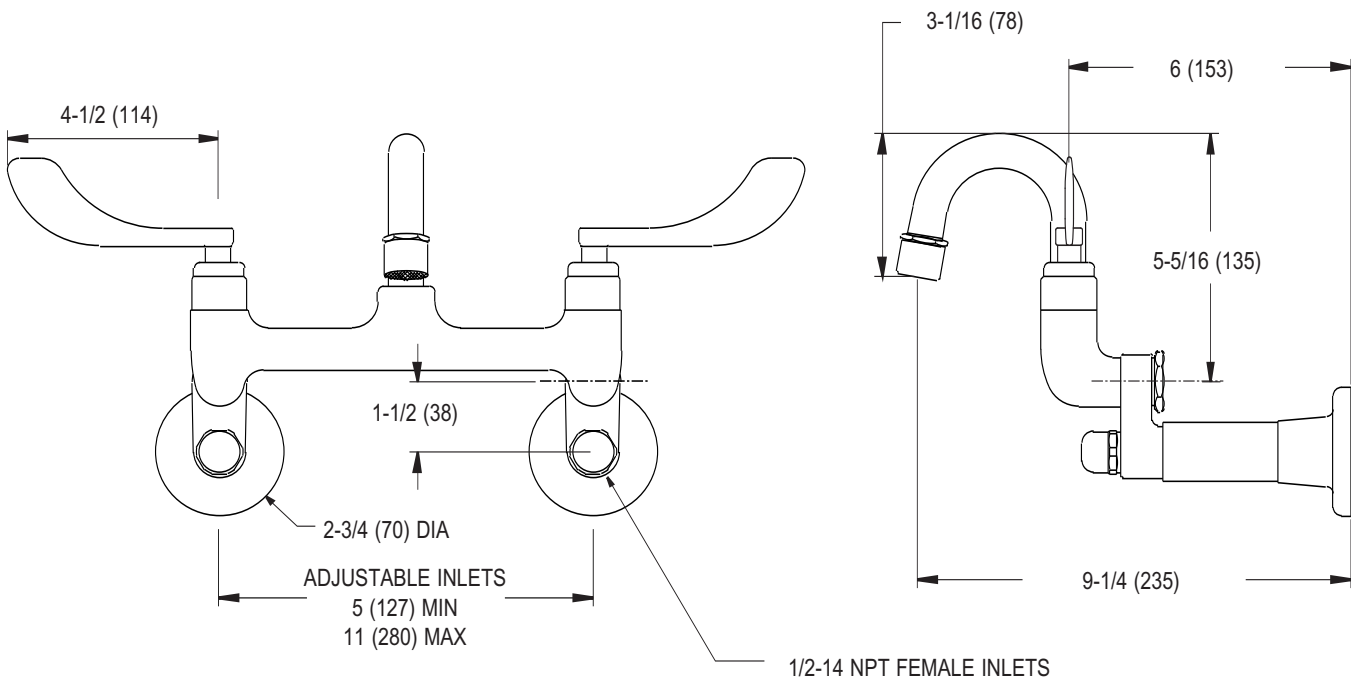
**Maximum Operating Pressure Rating** ..... 125 PSI (860 KPa)

**Maximum Operating Temperature Rating** ..... 65 C (150 F)

**Shipping Weight** ..... 6.0 Lbs (2.7 Kg)



**P3140 Model Shown**



Dimensions shown in inches (mm) are for reference only and are subject to change.

**Ordering Code:**

**P3140 - - -**

**Outlet Options**

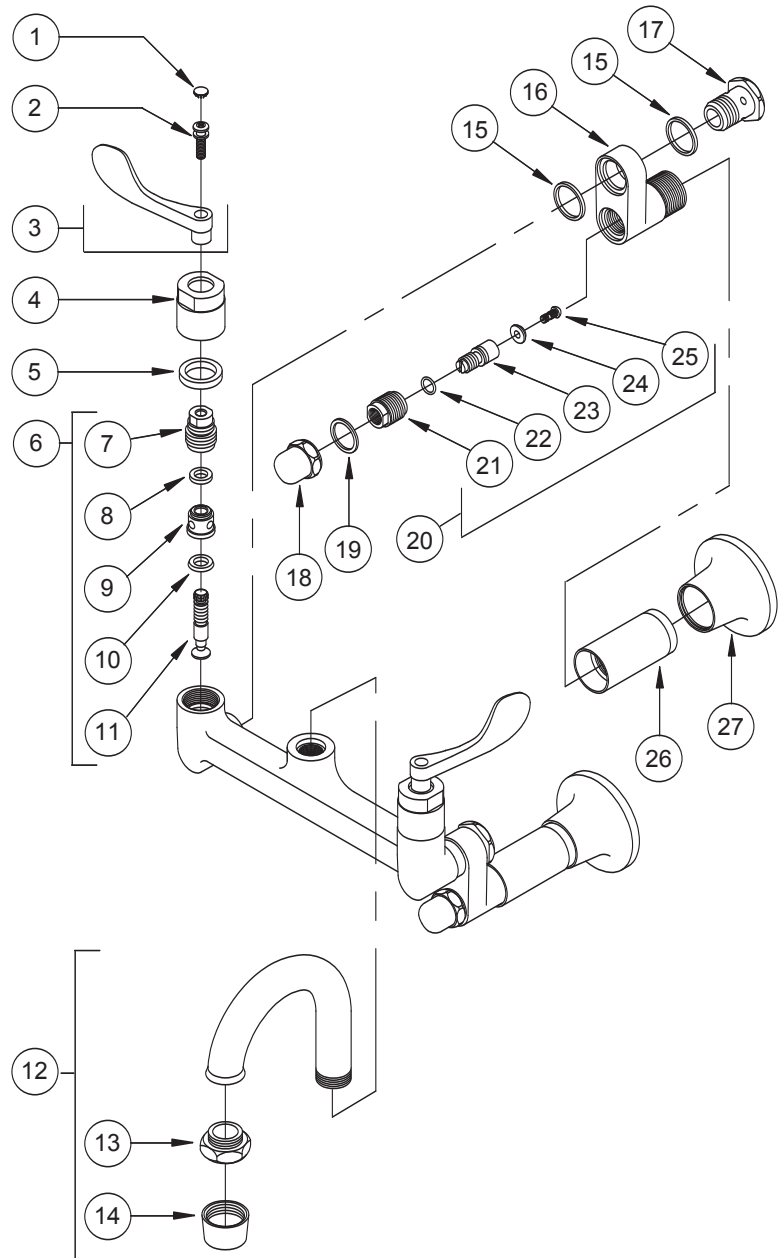
- Aerator (0.5 GPM, 1.9 L/min) **A5**
- Laminar Flow Outlet (2.0 GPM, 7.6 L/min) **LF**
- Spray Face (2.0 GPM, 7.6 L/min) **SF**
- Vandal Resistant Aerator (0.5 GPM, 1.9 L/min) **V5**
- Vandal Resistant Aerator (2.0 GPM, 7.6 L/min) **VA**
- Vandal Resistant Laminar Flow (2.0 GPM, 7.6 L/min) **VF**

**Additional Options**

- VH** Vandal Resistant Handles
- SC** Self Closing Cartridges
- QT** Quarter Turn Cartridges
- G1** Gooseneck Spout 3-1/2" (89 mm)
- G2** Gooseneck Spout 5-1/4" (133 mm)
- G3** Gooseneck Spout 8" (203 mm)

#	Description	Part #*
1	Button, Blue	039298-BP5
	Button, Red	039297-BP5
2	Screw	039328-BP25
3	4-1/2" Blade Handle Assy., Blue	039300
	4-1/2" Blade Handle Assy., Red	039299
4	Locknut	300631
5	O-Ring	039035-BP10
6	LH Cartridge	039038-BP5
	RH Cartridge	039037-BP5
7	LH Centrepiece	039032-BP5
	RH Centrepiece	039031-BP5
8	O-Ring	039034-BP10
9	Sleeve	039033-BP10
10	Seat Ring	039039-BP10
11	LH Stem	039030-BP10
	RH Stem	039029-BP10
12	Spout Assy.	361009
13	Aerator Adapter	303706
14	Aerator	300994
15	Gasket	300670
16	Shank	301047
17	Shank Connector	300671
18	Cap	300673
19	Gasket	300674
20	Cartridge	356229
21	Centrepiece	301042
22	O-Ring	301045
23	Stem	301043
24	Disc	301044
25	Screw	301046
26	Sleeve	309342
27	Flange	309343

\*BPx denotes the bulk pack quantity



# P3160 Sink Fitting With Gooseneck, WM



**P3160 Specification:** Commercial grade wall mount sink fitting complete with rigid gooseneck spout featuring colour indexed 6" metal blade handles, Dial-ese® cartridges and a 2.0 GPM (7.6 L/min) aerator. Heavy duty cast brass body includes a resilient polished chrome plated finish. Standard integral stops with 1/2" IPS inlets and adjustable centres from 5" (127 mm) to 11" (279 mm).

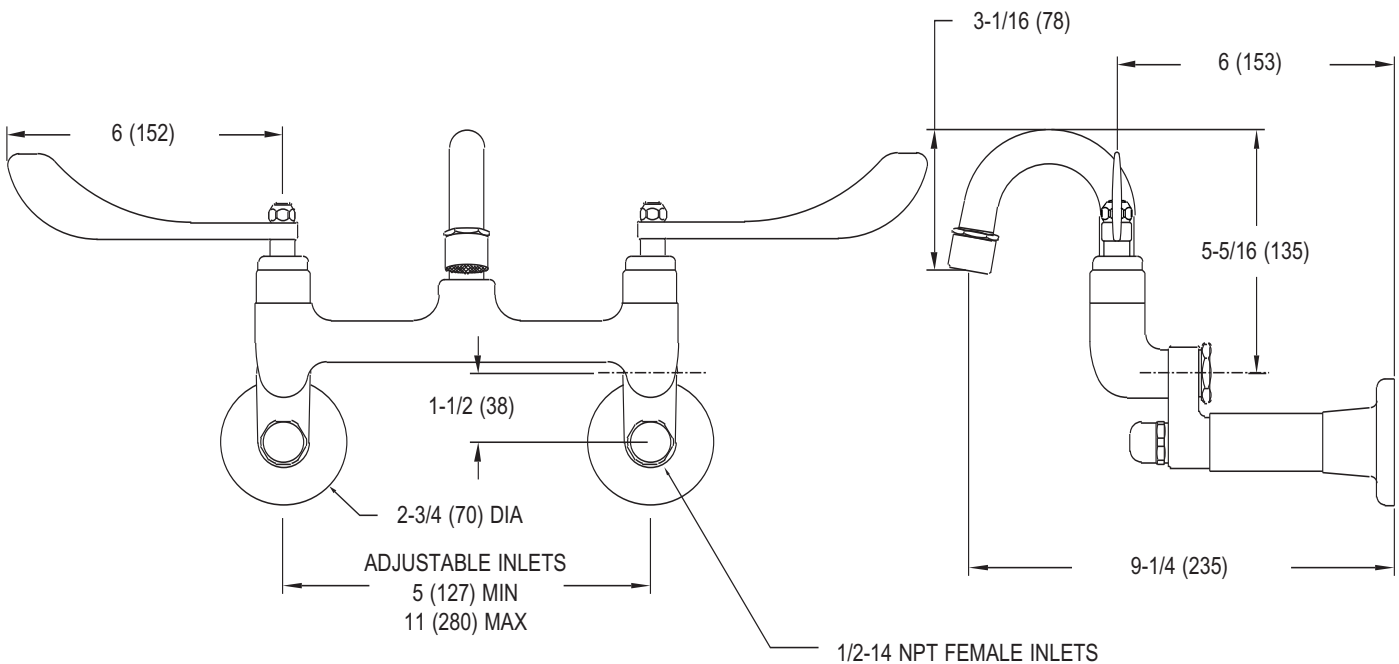


**Maximum Operating Pressure Rating** ..... 125 PSI (860 KPa)

**Maximum Operating Temperature Rating** ..... 65 C (150 F)

**Shipping Weight** ..... 6.0 Lbs (2.7 Kg)

**P3160 Model Shown**



*Dimensions shown in inches (mm) are for reference only and are subject to change.*

**Ordering Code:**

**P3160 - - -**

**Outlet Options**

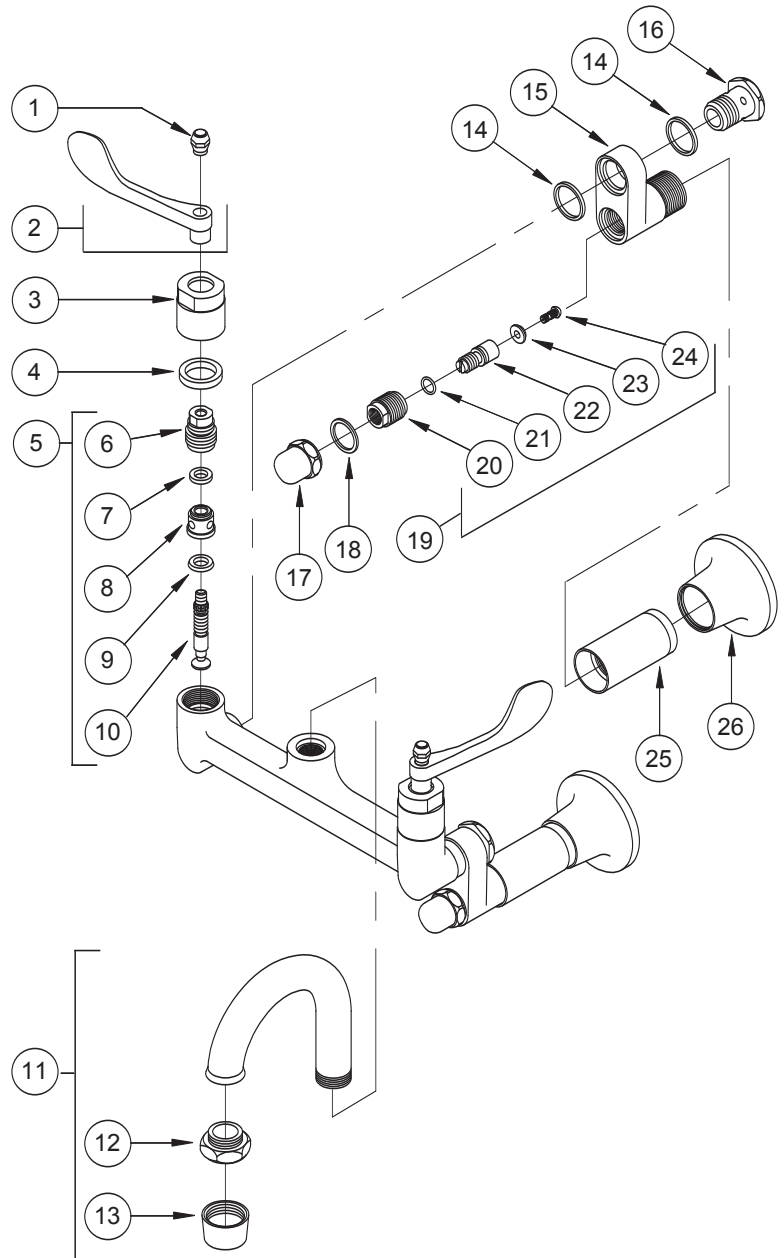
- Aerator (0.5 GPM, 1.9 L/min) **A5**
- Laminar Flow Outlet (2.0 GPM, 7.6 L/min) **LF**
- Spray Face (2.0 GPM, 7.6 L/min) **SF**
- Vandal Resistant Aerator (0.5 GPM, 1.9 L/min) **V5**
- Vandal Resistant Aerator (2.0 GPM, 7.6 L/min) **VA**
- Vandal Resistant Laminar Flow (2.0 GPM, 7.6 L/min) **VF**

**Additional Options**

- QT** Quarter Turn Cartridges
- G1** Gooseneck Spout 3-1/2" (89 mm)
- G2** Gooseneck Spout 5-1/4" (133 mm)
- G3** Gooseneck Spout 8" (203 mm)

#	Description	Part #*
1	Cap Nut, Blue	039302-BP5
	Cap Nut, Red	039301-BP5
2	6" Blade Handle Assy., Blue	039319
	6" Blade Handle Assy., Red	039320
3	Locknut	300631
4	O-Ring	039035-BP10
5	LH Cartridge	039064-BP5
	RH Cartridge	039065-BP5
6	LH Centrepiece	039032-BP5
	RH Centrepiece	039031-BP5
7	O-Ring	039034-BP10
8	Sleeve	039033-BP10
9	Seat Ring	039039-BP10
10	LH Stem	039055-BP5
	RH Stem	039056-BP5
11	Spout Assy.	361009
12	Aerator Adapter	303706
13	Aerator	300994
14	Gasket	300670
15	Shank	301047
16	Shank Connector	300671
17	Cap	300673
18	Gasket	300674
19	Cartridge	356229
20	Centrepiece	301042
21	O-Ring	301045
22	Stem	301043
23	Disc	301044
24	Screw	301046
25	Sleeve	309342
26	Flange	309343

\*BPx denotes the bulk pack quantity



# P3170 Sink Fitting With Gooseneck, WM



**P3170 Specification:** Commercial grade wall mount sink fitting complete with rigid gooseneck spout featuring colour indexed metal cross handles, Dial-ese® cartridges and a 2.0 GPM (7.6 L/min) aerator. Heavy duty cast brass body includes a resilient polished chrome plated finish. Standard integral stops with 1/2" IPS inlets and adjustable centres from 5" (127 mm) to 11" (279 mm).

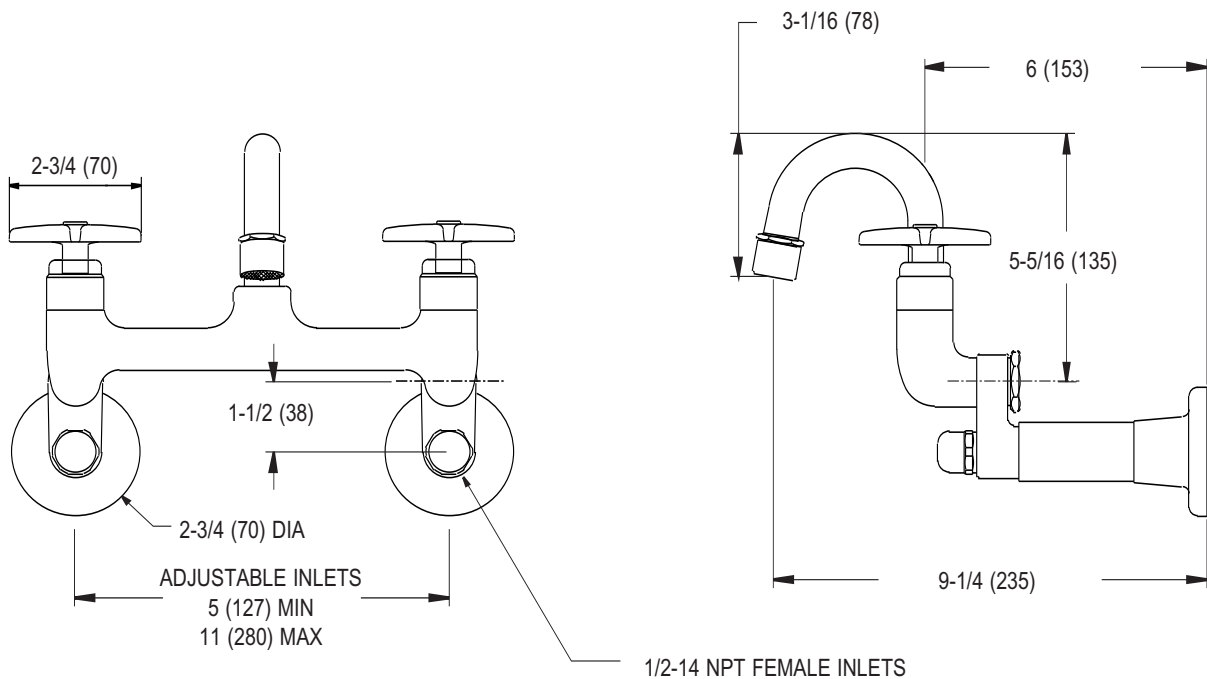
**Maximum Operating Pressure Rating** ..... 125 PSI (860 KPa)

**Maximum Operating Temperature Rating** ..... 65 C (150 F)

**Shipping Weight** ..... 6.0 Lbs (2.7 Kg)



**P3170 Model Shown**



*Dimensions shown in inches (mm) are for reference only and are subject to change.*

**Ordering Code:**

**P3170 - - -**

**Outlet Options**

- Aerator (0.5 GPM, 1.9 L/min) **A5**
- Laminar Flow Outlet (2.0 GPM, 7.6 L/min) **LF**
- Spray Face (2.0 GPM, 7.6 L/min) **SF**
- Vandal Resistant Aerator (0.5 GPM, 1.9 L/min) **V5**
- Vandal Resistant Aerator (2.0 GPM, 7.6 L/min) **VA**
- Vandal Resistant Laminar Flow (2.0 GPM, 7.6 L/min) **VF**

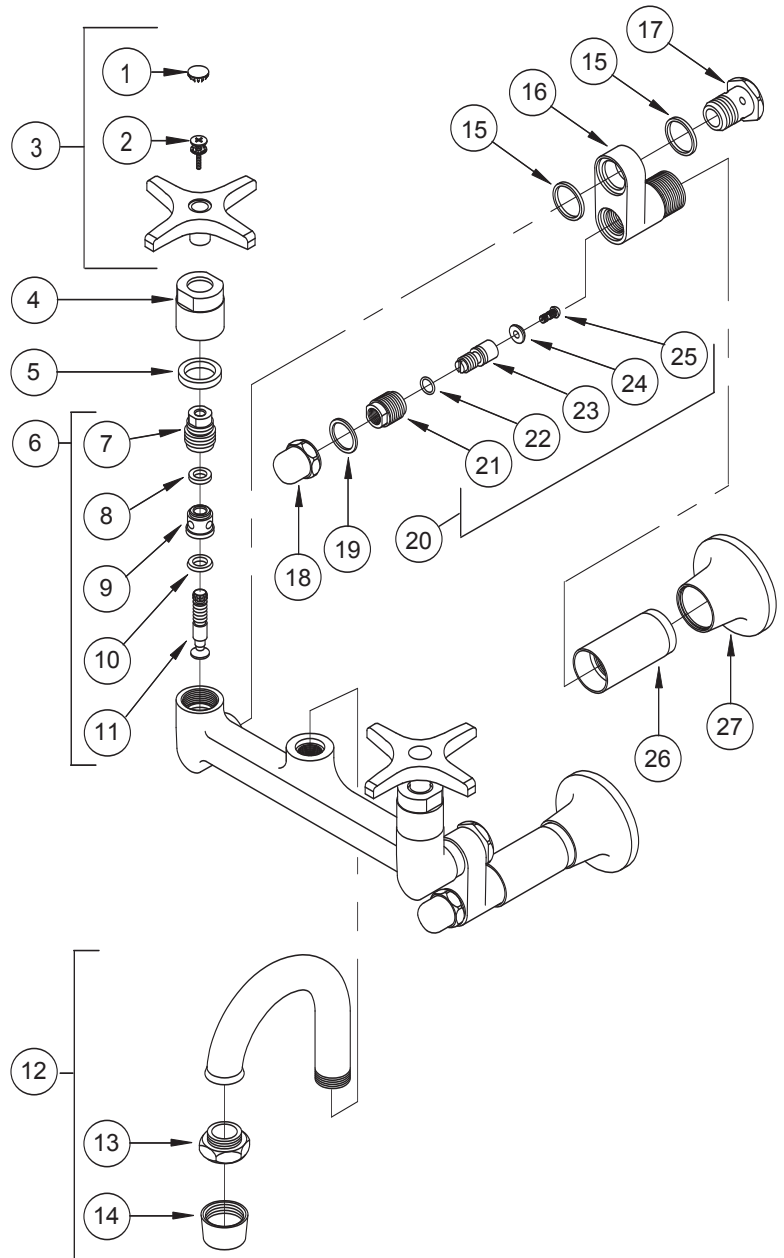
**Additional Options**

- VH** Vandal Resistant Handles
- SC** Self Closing Cartridges
- QT** Quarter Turn Cartridges
- G1** Gooseneck Spout 3-1/2" (89 mm)
- G2** Gooseneck Spout 5-1/4" (133 mm)
- G3** Gooseneck Spout 8" (203 mm)



#	Description	Part #*
1	Button, Blue	039298-BP5
	Button, Red	039297-BP5
2	Screw	039328-BP25
3	Cross Handle Assy., Blue	039313
	Cross Handle Assy., Red	039314
4	Locknut	300631
5	O-Ring	039035-BP10
6	Cartridge	039038-BP5
7	Centrepiece	039032-BP5
8	O-Ring	039034-BP10
9	Sleeve	039033-BP10
10	Seat Ring	039039-BP10
11	Stem	039030-BP10
12	Spout Assy.	361009
13	Aerator Adapter	303706
14	Aerator	300994
15	Gasket	300670
16	Shank	301047
17	Shank Connector	300671
18	Cap	300673
19	Gasket	300674
20	Cartridge	356229
21	Centrepiece	301042
22	O-Ring	301045
23	Stem	301043
24	Disc	301044
25	Screw	301046
26	Sleeve	309342
27	Flange	309343

\*BPx denotes the bulk pack quantity



# P3230 Sink Fitting W/ Gooseneck, Short



**P3230 Specification:** Commercial grade wall mount, short supply sink fitting with rigid gooseneck spout featuring colour indexed 3" metal blade handles, Dial-ese® cartridges and a 2.0 GPM (7.6 L/min) aerator. Heavy duty cast brass body has a resilient polished chrome plated finish. Integral stops with 1/2" IPS inlets and adjustable centres from 5" (127 mm) to 11" (279 mm).

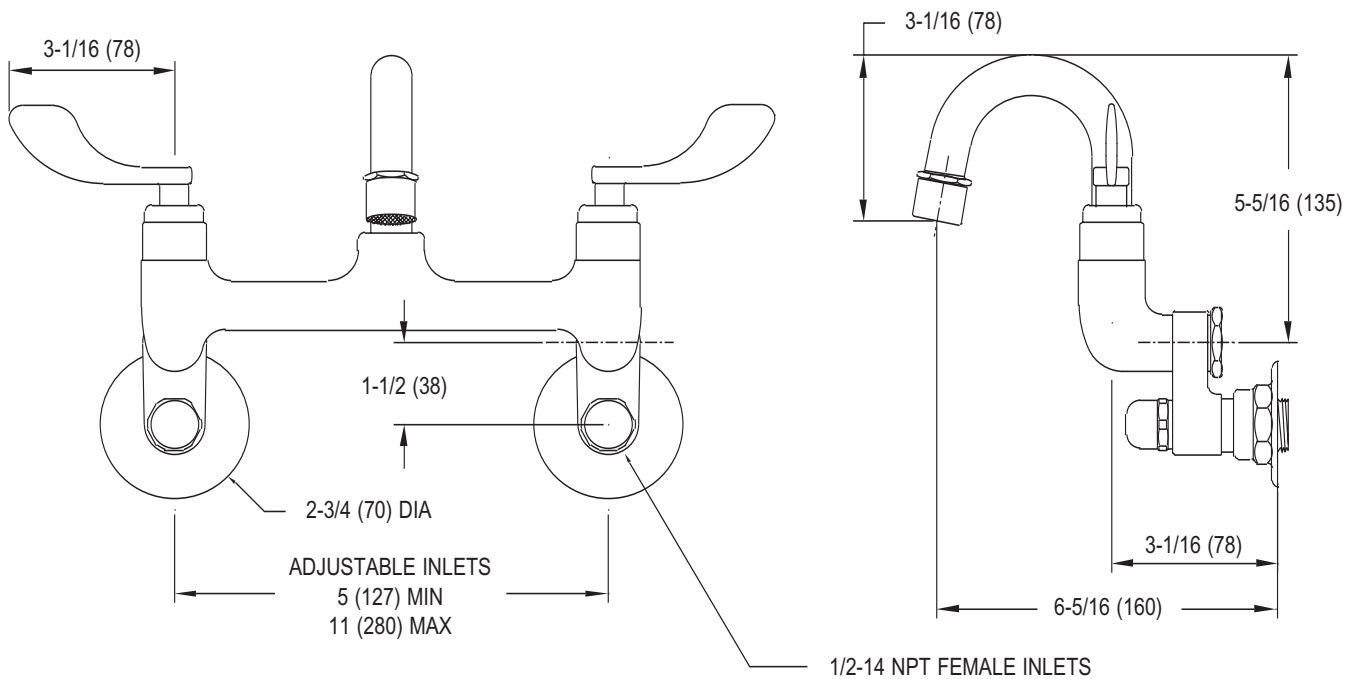


**P3230 Model Shown**

**Maximum Operating Pressure Rating** ..... 125 PSI (860 KPa)

**Maximum Operating Temperature Rating** ..... 65 C (150 F)

**Shipping Weight** ..... 5.7 Lbs (2.6 Kg)



*Dimensions shown in inches (mm) are for reference only and are subject to change.*

**Ordering Code:**

**P3230 - - -**

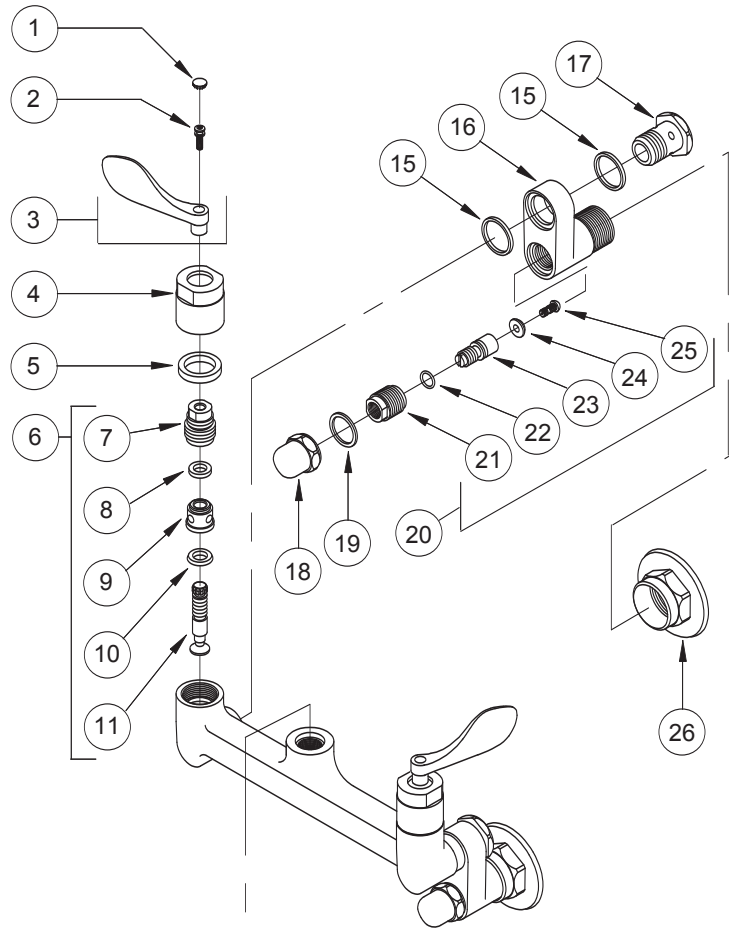
**Outlet Options**

- Aerator (0.5 GPM, 1.9 L/min) **A5**
- Laminar Flow Outlet (2.0 GPM, 7.6 L/min) **LF**
- Spray Face (2.0 GPM, 7.6 L/min) **SF**
- Vandal Resistant Aerator (0.5 GPM, 1.9 L/min) **V5**
- Vandal Resistant Aerator (2.0 GPM, 7.6 L/min) **VA**
- Vandal Resistant Laminar Flow (2.0 GPM, 7.6 L/min) **VF**

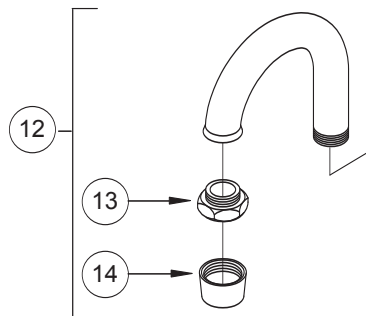
**Additional Options**

- VH** Vandal Resistant Handles
- SC** Self Closing Cartridges
- QT** Quarter Turn Cartridges
- G1** Gooseneck Spout 3-1/2" (89 mm)
- G2** Gooseneck Spout 5-1/4" (133 mm)
- G3** Gooseneck Spout 8" (203 mm)

#	Description	Part #*
1	Button, Blue	039298-BP5
	Button, Red	039297-BP5
2	Screw	039328-BP25
3	3" Blade Handle Assy., Blue	039296
	3" Blade Handle Assy., Red	039295
4	Locknut	300631
5	O-Ring	039035-BP10
6	LH Cartridge	039038-BP5
	RH Cartridge	039037-BP5
7	LH Centrepiece	039032-BP5
	RH Centrepiece	039031-BP5
8	O-Ring	039034-BP10
9	Sleeve	039033-BP10
10	Seat Ring	039039-BP10
11	LH Stem	039030-BP10
	RH Stem	039029-BP10
12	Spout Assy.	361009
13	Aerator Adapter	303706
14	Aerator	300994
15	Gasket	300670
16	Shank	301047
17	Shank Connector	300671
18	Cap	300673
19	Gasket	300674
20	Cartridge	356229
21	Centrepiece	301042
22	O-Ring	301045
23	Stem	301043
24	Disc	301044
25	Screw	301046
26	Flange	300688



\*BPx denotes the bulk pack quantity



# P3240 Sink Fitting W/ Gooseneck, Short



**P3240 Specification:** Commercial grade wall mount, short supply sink fitting with rigid gooseneck spout featuring colour indexed 4-1/2" metal blade handles, Dial-ese® cartridges and a 2.0 GPM (7.6 L/min) aerator. Heavy duty cast brass body has a resilient polished chrome plated finish. Integral stops with 1/2" IPS inlets and adjustable centres from 5" (127 mm) to 11" (279 mm).

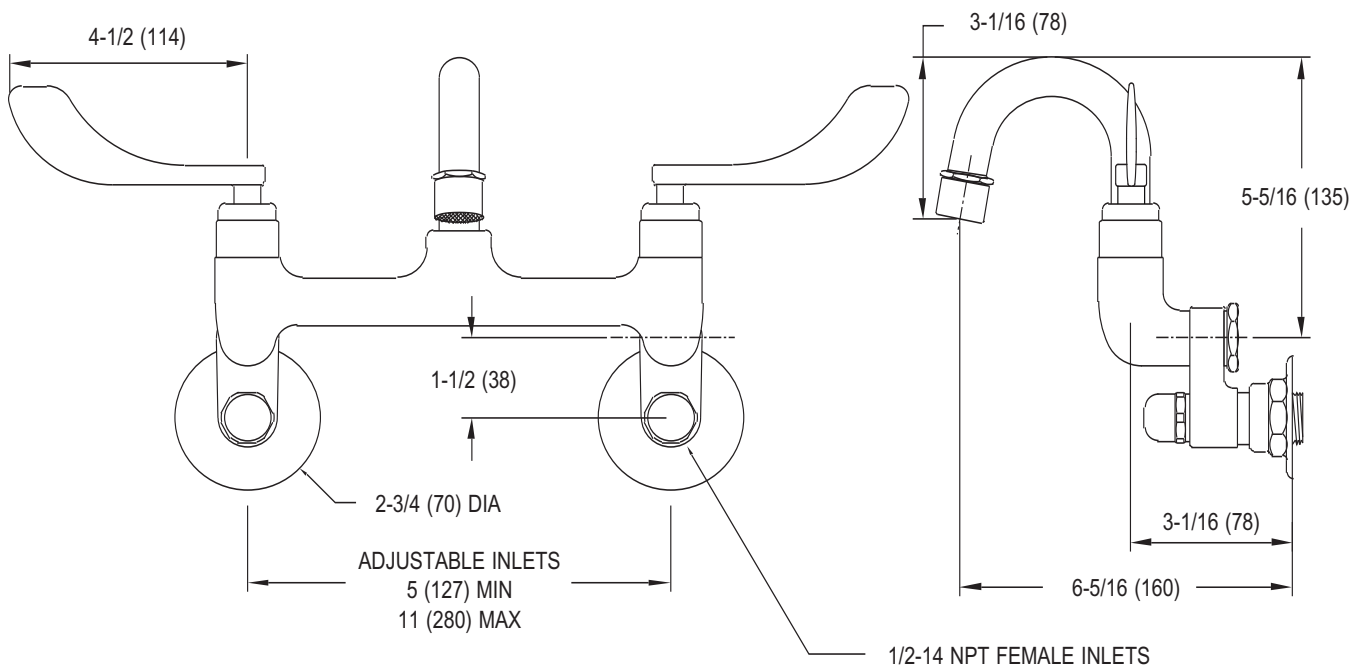


**P3240 Model Shown**

**Maximum Operating Pressure Rating** ..... 125 PSI (860 KPa)

**Maximum Operating Temperature Rating** ..... 65 C (150 F)

**Shipping Weight** ..... 5.7 Lbs (2.6 Kg)



*Dimensions shown in inches (mm) are for reference only and are subject to change.*

**Ordering Code:**

**P3240 - - -**

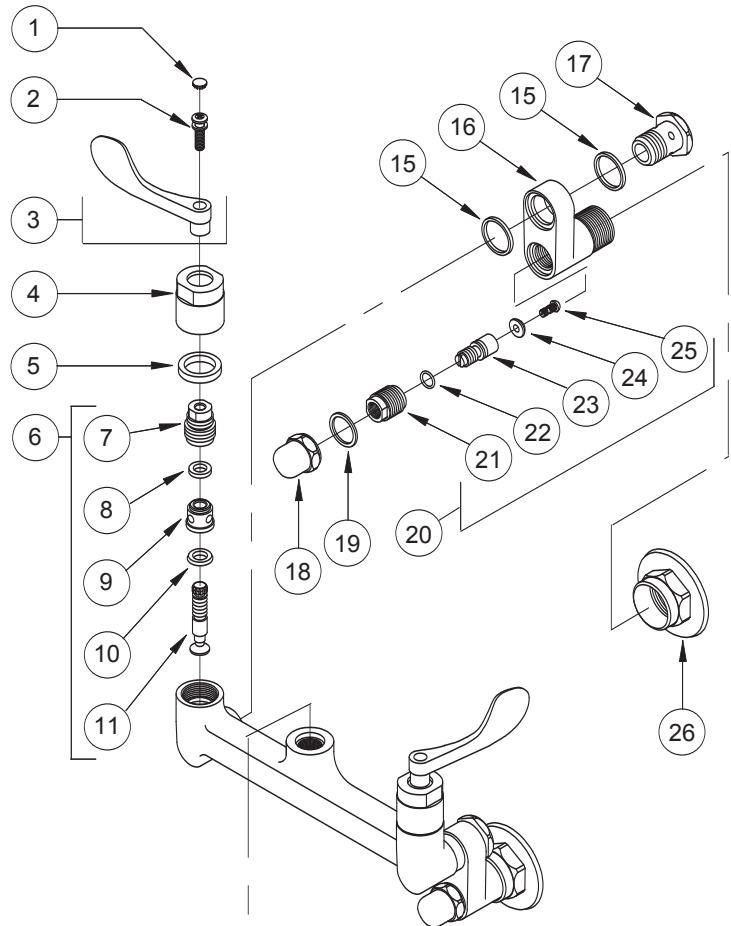
**Outlet Options**

- Aerator (0.5 GPM, 1.9 L/min) **A5**
- Laminar Flow Outlet (2.0 GPM, 7.6 L/min) **LF**
- Spray Face (2.0 GPM, 7.6 L/min) **SF**
- Vandal Resistant Aerator (0.5 GPM, 1.9 L/min) **V5**
- Vandal Resistant Aerator (2.0 GPM, 7.6 L/min) **VA**
- Vandal Resistant Laminar Flow (2.0 GPM, 7.6 L/min) **VF**

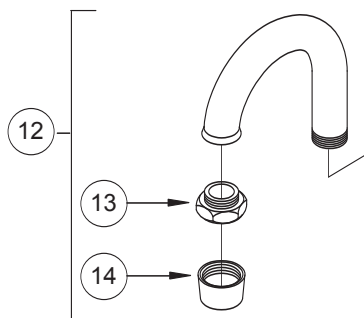
**Additional Options**

- VH** Vandal Resistant Handles
- QT** Quarter Turn Cartridges
- G1** Gooseneck Spout 3-1/2" (89 mm)
- G2** Gooseneck Spout 5-1/4" (133 mm)
- G3** Gooseneck Spout 8" (203 mm)

#	Description	Part #*
1	Button, Blue	039298-BP5
	Button, Red	039297-BP5
2	Screw	039328-BP25
3	4-1/2" Blade Handle Assy., Blue	039300
	4-1/2" Blade Handle Assy., Red	039299
4	Locknut	300631
5	O-Ring	039035-BP10
6	LH Cartridge	039038-BP5
	RH Cartridge	039037-BP5
7	LH Centrepiece	039032-BP5
	RH Centrepiece	039031-BP5
8	O-Ring	039034-BP10
9	Sleeve	039033-BP10
10	Seat Ring	039039-BP10
11	LH Stem	039030-BP10
	RH Stem	039029-BP10
12	Spout Assy.	361009
13	Aerator Adapter	303706
14	Aerator	300994
15	Gasket	300670
16	Shank	301047
17	Shank Connector	300671
18	Cap	300673
19	Gasket	300674
20	Cartridge	356229
21	Centrepiece	301042
22	O-Ring	301045
23	Stem	301043
24	Disc	301044
25	Screw	301046
26	Flange	300688



\*BPx denotes the bulk pack quantity



# P3260 Sink Fitting W/ Gooseneck, Short



**P3260 Specification:** Commercial grade wall mount, short supply sink fitting with rigid gooseneck spout featuring colour indexed 6" metal blade handles, Dial-ese® cartridges and a 2.0 GPM (7.6 L/min) aerator. Heavy duty cast brass body has a resilient polished chrome plated finish. Integral stops with 1/2" IPS inlets and adjustable centres from 5" (127 mm) to 11" (279 mm).

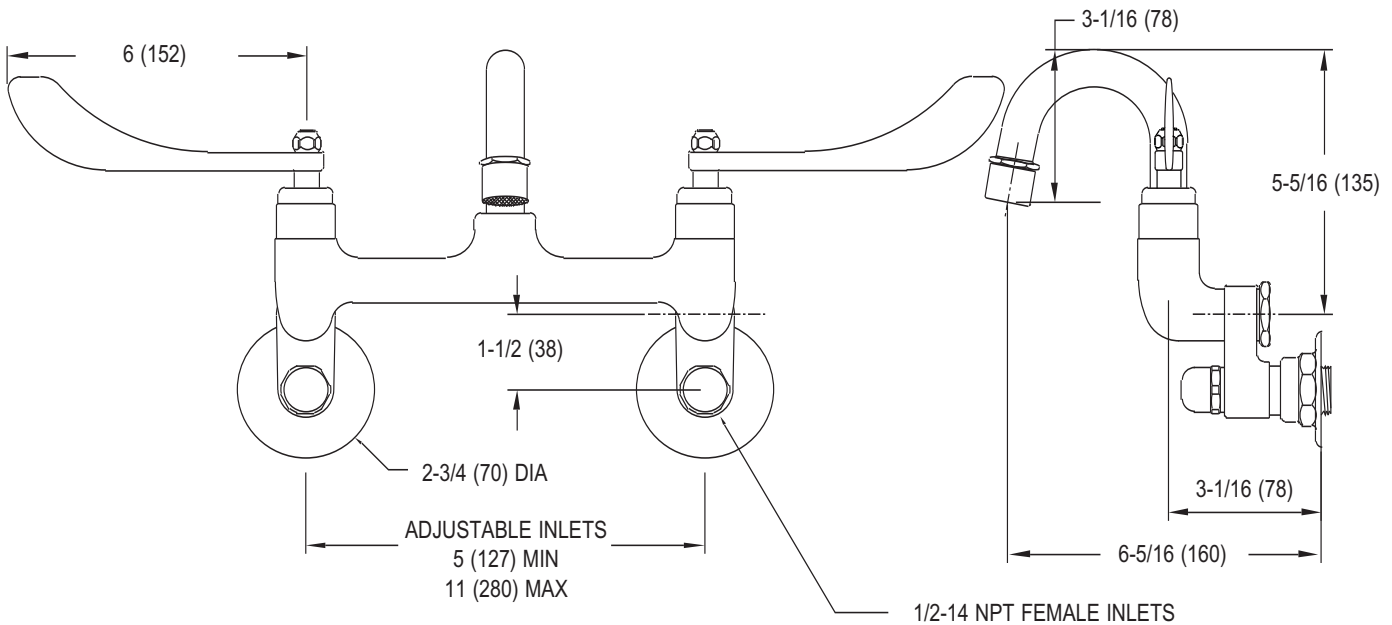


**Maximum Operating Pressure Rating** ..... 125 PSI (860 KPa)

**Maximum Operating Temperature Rating** ..... 65 C (150 F)

**Shipping Weight** ..... 5.7 Lbs (2.6 Kg)

**P3260 Model Shown**



Dimensions shown in inches (mm) are for reference only and are subject to change.

**Ordering Code:**

**P3260 - - -**

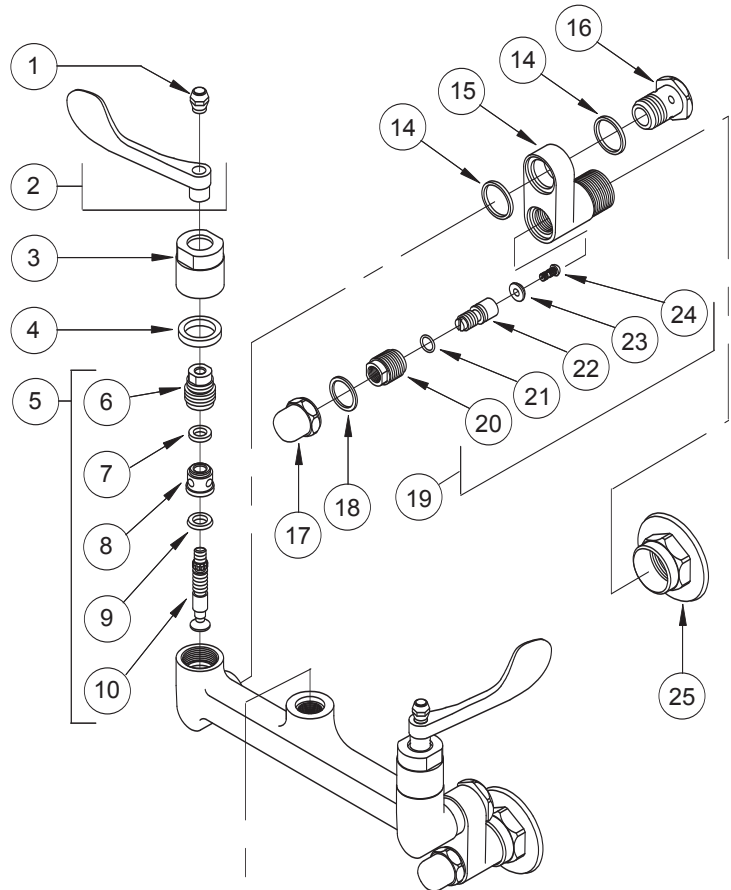
**Outlet Options**

- Aerator (0.5 GPM, 1.9 L/min) **A5**
- Laminar Flow Outlet (2.0 GPM, 7.6 L/min) **LF**
- Spray Face (2.0 GPM, 7.6 L/min) **SF**
- Vandal Resistant Aerator (0.5 GPM, 1.9 L/min) **V5**
- Vandal Resistant Aerator (2.0 GPM, 7.6 L/min) **VA**
- Vandal Resistant Laminar Flow (2.0 GPM, 7.6 L/min) **VF**

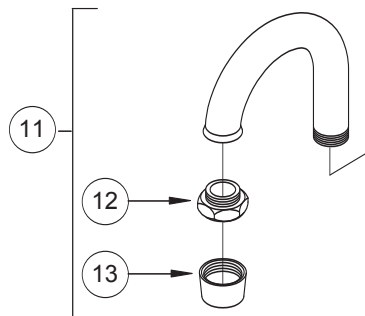
**Additional Options**

- QT** Quarter Turn Cartridges
- G1** Gooseneck Spout 3-1/2" (89 mm)
- G2** Gooseneck Spout 5-1/4" (133 mm)
- G3** Gooseneck Spout 8" (203 mm)

#	Description	Part #*
1	Cap Nut, Blue	039302-BP5
	Cap Nut, Red	039301-BP5
2	6" Blade Handle Assy., Blue	039319
	6" Blade Handle Assy., Red	039320
3	Locknut	300631
4	O-Ring	039035-BP10
5	LH Cartridge	039064-BP5
	RH Cartridge	039065-BP5
6	LH Centrepiece	039032-BP5
	RH Centrepiece	039031-BP5
7	O-Ring	039034-BP10
8	Sleeve	039033-BP10
9	Seat Ring	039039-BP10
10	LH Stem	039055-BP5
	RH Stem	039056-BP5
11	Spout Assy.	361009
12	Aerator Adapter	303706
13	Aerator	300994
14	Gasket	300670
15	Shank	301047
16	Shank Connector	300671
17	Cap	300673
18	Gasket	300674
19	Cartridge	356229
20	Centrepiece	301042
21	O-Ring	301045
22	Stem	301043
23	Disc	301044
24	Screw	301046
25	Flange	300688



\*BPx denotes the bulk pack quantity



# P3270 Sink Fitting W/ Gooseneck, Short



**P3270 Specification:** Commercial grade wall mount, short supply sink fitting with rigid gooseneck spout featuring colour indexed metal cross handles, Dial-ese® cartridges and a 2.0 GPM (7.6 L/min) aerator. Heavy duty cast brass body has a resilient polished chrome plated finish. Integral stops with 1/2" IPS inlets and adjustable centres from 5" (127 mm) to 11" (279 mm).

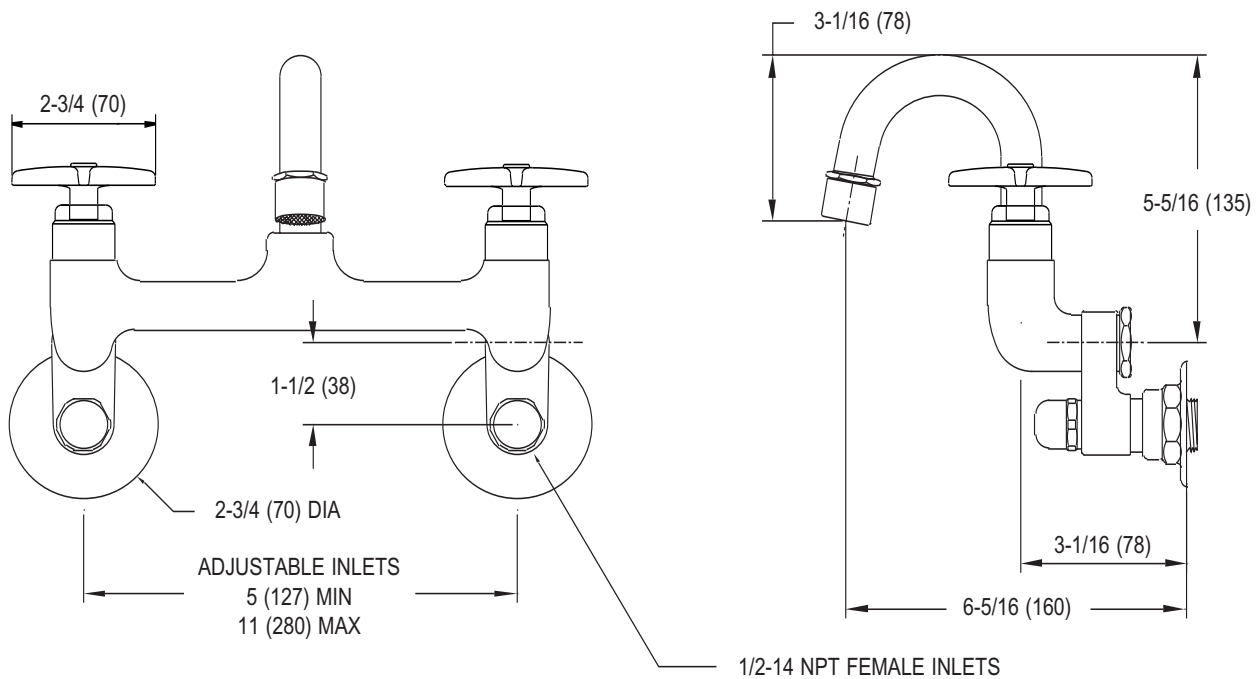
**Maximum Operating Pressure Rating** ..... 125 PSI (860 KPa)

**Maximum Operating Temperature Rating** ..... 65 C (150 F)

**Shipping Weight** ..... 5.7 Lbs (2.6 Kg)



**P3270 Model Shown**



*Dimensions shown in inches (mm) are for reference only and are subject to change.*

**Ordering Code:**

**P3270 - - -**

**Outlet Options**

- Aerator (0.5 GPM, 1.9 L/min) **A5**
- Laminar Flow Outlet (2.0 GPM, 7.6 L/min) **LF**
- Spray Face (2.0 GPM, 7.6 L/min) **SF**
- Vandal Resistant Aerator (0.5 GPM, 1.9 L/min) **V5**
- Vandal Resistant Aerator (2.0 GPM, 7.6 L/min) **VA**
- Vandal Resistant Laminar Flow (2.0 GPM, 7.6 L/min) **VF**

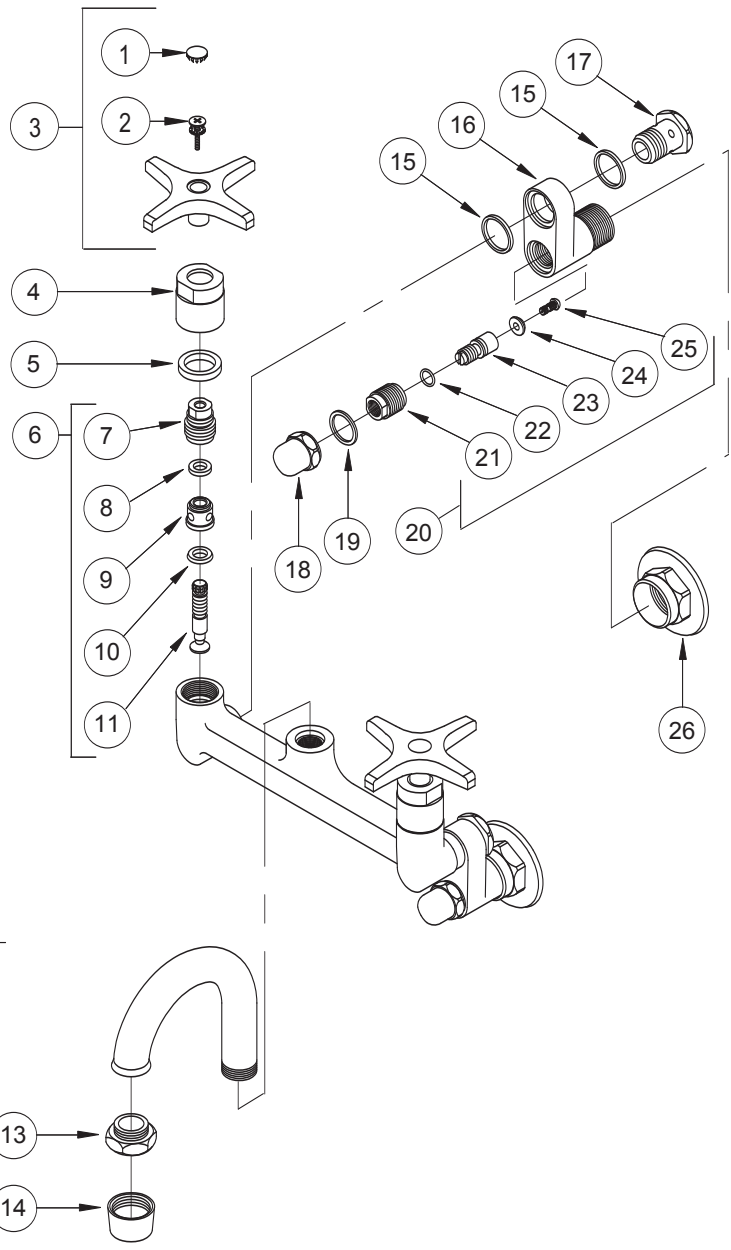
**Additional Options**

- VH** Vandal Resistant Handles
- SC** Self Closing Cartridges
- QT** Quarter Turn Cartridges
- G1** Gooseneck Spout 3-1/2" (89 mm)
- G2** Gooseneck Spout 5-1/4" (133 mm)
- G3** Gooseneck Spout 8" (203 mm)



#	Description	Part #*
1	Button, Blue	039298-BP5
	Button, Red	039297-BP5
2	Screw	039328-BP25
3	Cross Handle Assy., Blue	039313
	Cross Handle Assy., Red	039314
4	Locknut	300631
5	O-Ring	039035-BP10
6	Cartridge	039038-BP5
7	Centrepiece	039032-BP5
8	O-Ring	039034-BP10
9	Sleeve	039033-BP10
10	Seat Ring	039039-BP10
11	Stem	039030-BP10
12	Spout Assy.	361009
13	Aerator Adapter	303706
14	Aerator	300994
15	Gasket	300670
16	Shank	301047
17	Shank Connector	300671
18	Cap	300673
19	Gasket	300674
20	Cartridge	356229
21	Centrepiece	301042
22	O-Ring	301045
23	Stem	301043
24	Disc	301044
25	Screw	301046
26	Flange	300688

\*BPx denotes the bulk pack quantity



# P3330 Sink Fitting, Wall Mount



**P3330 Specification:** Commercial grade wall mount sink fitting with colour indexed 3" metal blade handles, 8" (203 mm) swing spout, Dial-ese® cartridges and a 2.0 GPM (7.6 L/min) aerator. Heavy duty cast brass body has a resilient polished chrome plated finish and 1/2"-14 NPT threaded inlets. Includes adjustable inlet centres from 7-3/4" (197 mm) to 8-3/4" (222 mm).

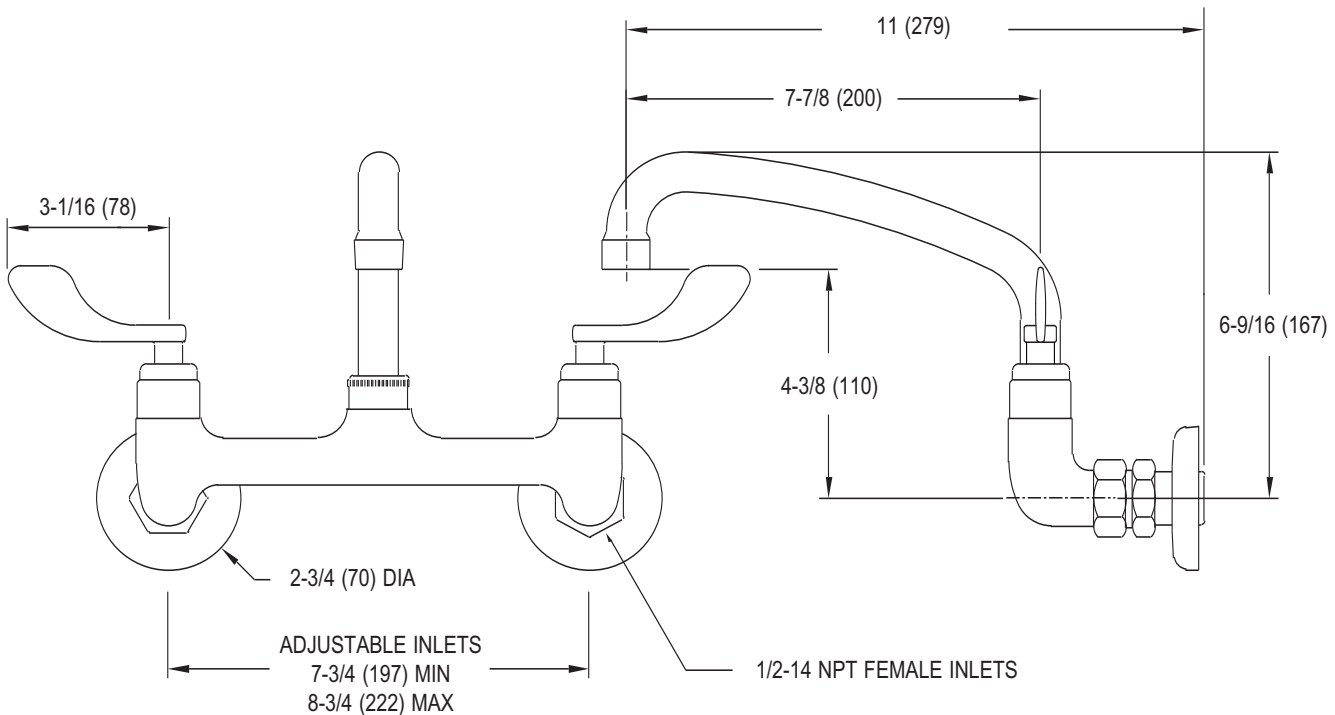


**P3330 Model Shown**

**Maximum Operating Pressure Rating** ..... 125 PSI (860 KPa)

**Maximum Operating Temperature Rating** ..... 65 C (150 F)

**Shipping Weight** ..... 4.8 Lbs (2.2 Kg)



*Dimensions shown in inches (mm) are for reference only and are subject to change.*

**Ordering Code:**

**P3330 - - - - -**

**Outlet Options**

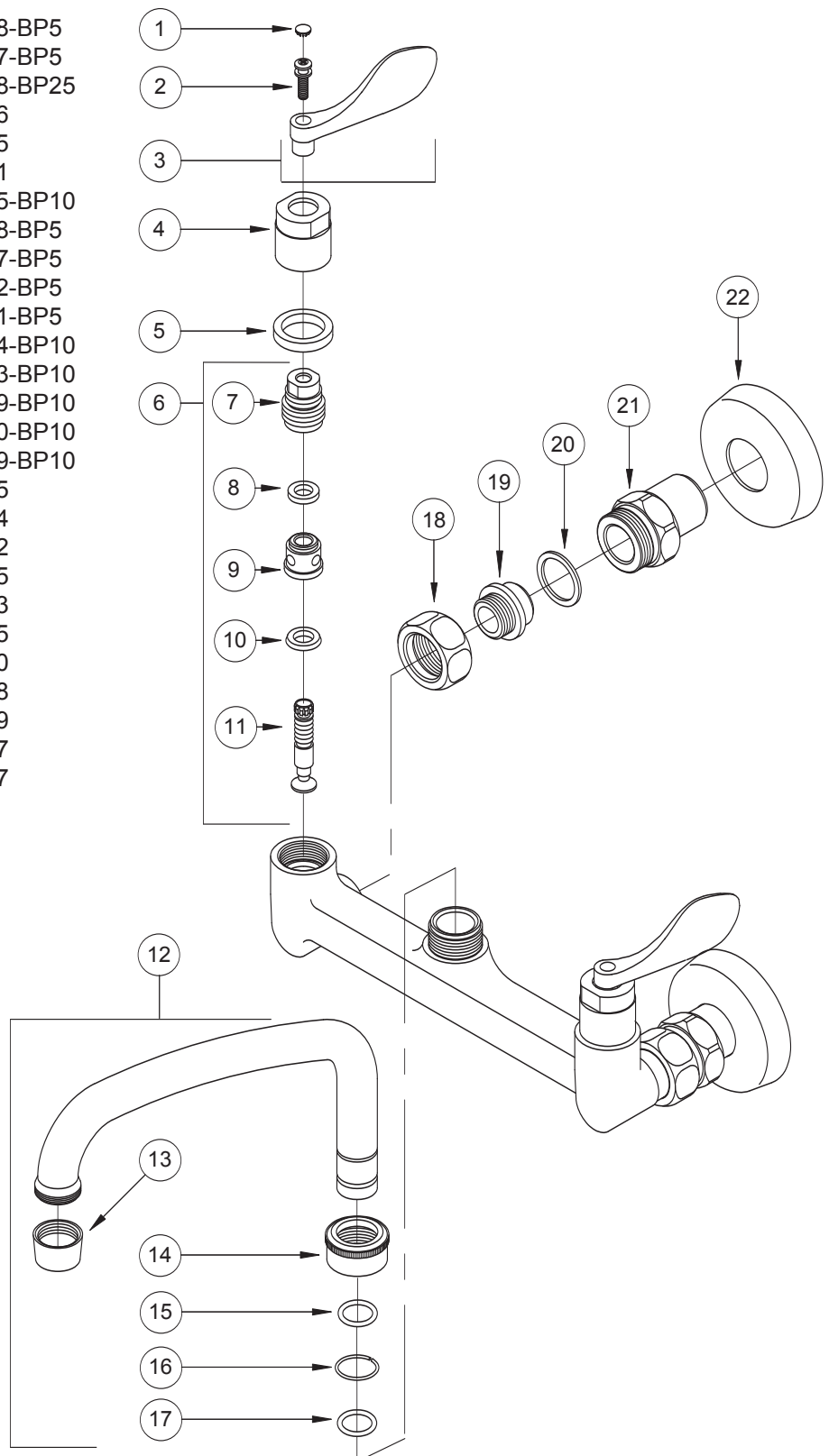
- Aerator (0.5 GPM, 1.9 L/min) **A5**
- Laminar Flow Outlet (2.0 GPM, 7.6 L/min) **LF**
- Vandal Resistant Aerator (0.5 GPM, 1.9 L/min) **V5**
- Vandal Resistant Aerator (2.0 GPM, 7.6 L/min) **VA**
- Vandal Resistant Laminar Flow (2.0 GPM, 7.6 L/min) **VF**
- Integral Stops **IS**

**Additional Options**

- VH** Vandal Resistant Handles
- SC** Self Closing Cartridges
- QT** Quarter Turn Cartridges
- 06** Swing Spout, 6" (152 mm)
- 10** Swing Spout, 10" (254 mm)
- 12** Swing Spout, 12" (304 mm)

#	Description	Part #*
1	Button, Blue	039298-BP5
	Button, Red	039297-BP5
2	Screw	039328-BP25
3	3" Blade Handle Assy., Blue	039296
	3" Blade Handle Assy., Red	039295
4	Locknut	300631
5	O-Ring	039035-BP10
6	LH Cartridge	039038-BP5
	RH Cartridge	039037-BP5
7	LH Centrepiece	039032-BP5
	RH Centrepiece	039031-BP5
8	O-Ring	039034-BP10
9	Sleeve	039033-BP10
10	Seat Ring	039039-BP10
11	LH Stem	039030-BP10
	RH Stem	039029-BP10
12	Spout Assy.	039475
13	Aerator	300994
14	Locknut	301702
15	Shim	311325
16	Locking Ring	301703
17	O-Ring	300435
18	Union Nut	300500
19	Collar	300498
20	Gasket	300499
21	Shank	300497
22	Flange w/ Set Screw	351507

\*BPx denotes the bulk pack quantity



# P3340 Sink Fitting, Wall Mount



**P3340 Specification:** Commercial grade wall mount sink fitting with colour indexed 4-1/2" metal blade handles, 8" (203 mm) swing spout, Dial-ese® cartridges and a 2.0 GPM (7.6 L/min) aerator. Heavy duty cast brass body has a resilient polished chrome plated finish and 1/2"-14 NPT threaded inlets. Includes adjustable inlet centres from 7-3/4" (197 mm) to 8-3/4" (222 mm).

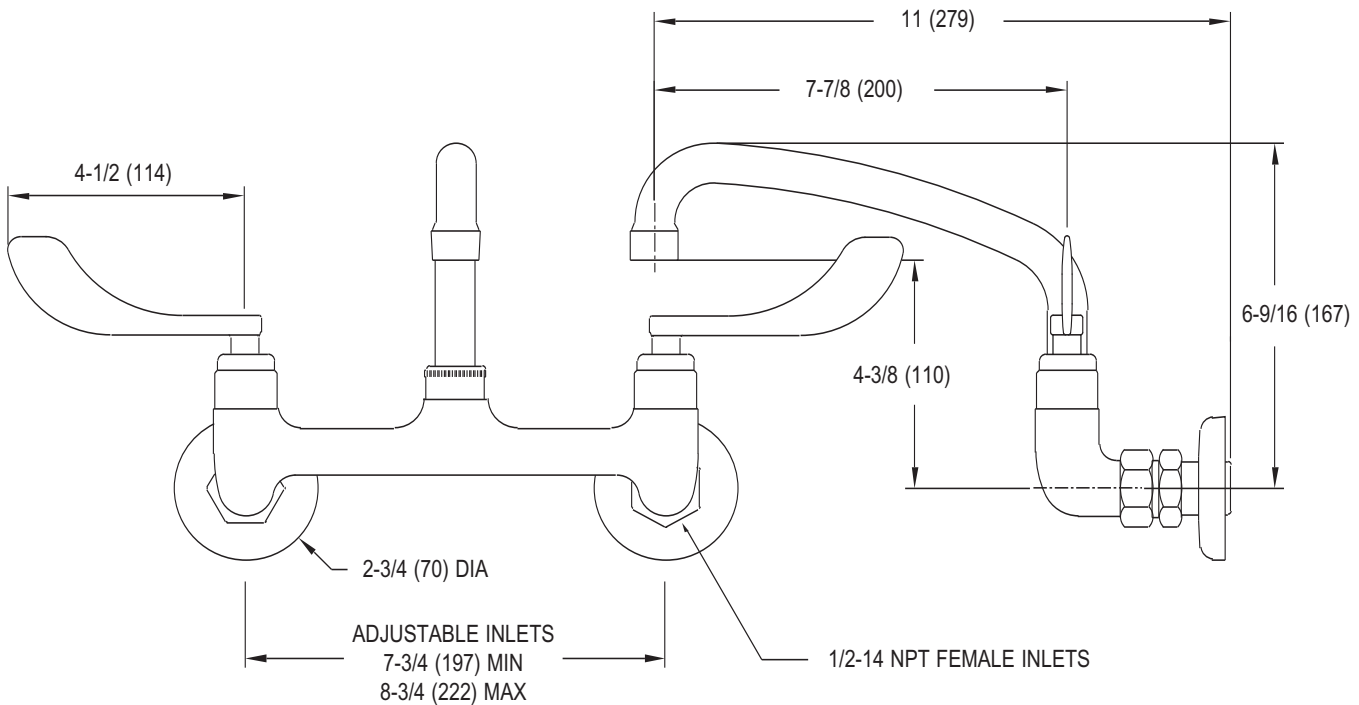


**P3340 Model Shown**

**Maximum Operating Pressure Rating** ..... 125 PSI (860 KPa)

**Maximum Operating Temperature Rating** ..... 65 C (150 F)

**Shipping Weight** ..... 4.8 Lbs (2.2 Kg)



*Dimensions shown in inches (mm) are for reference only and are subject to change.*

**Ordering Code:**

**P3340 - - - - -**

**Outlet Options**

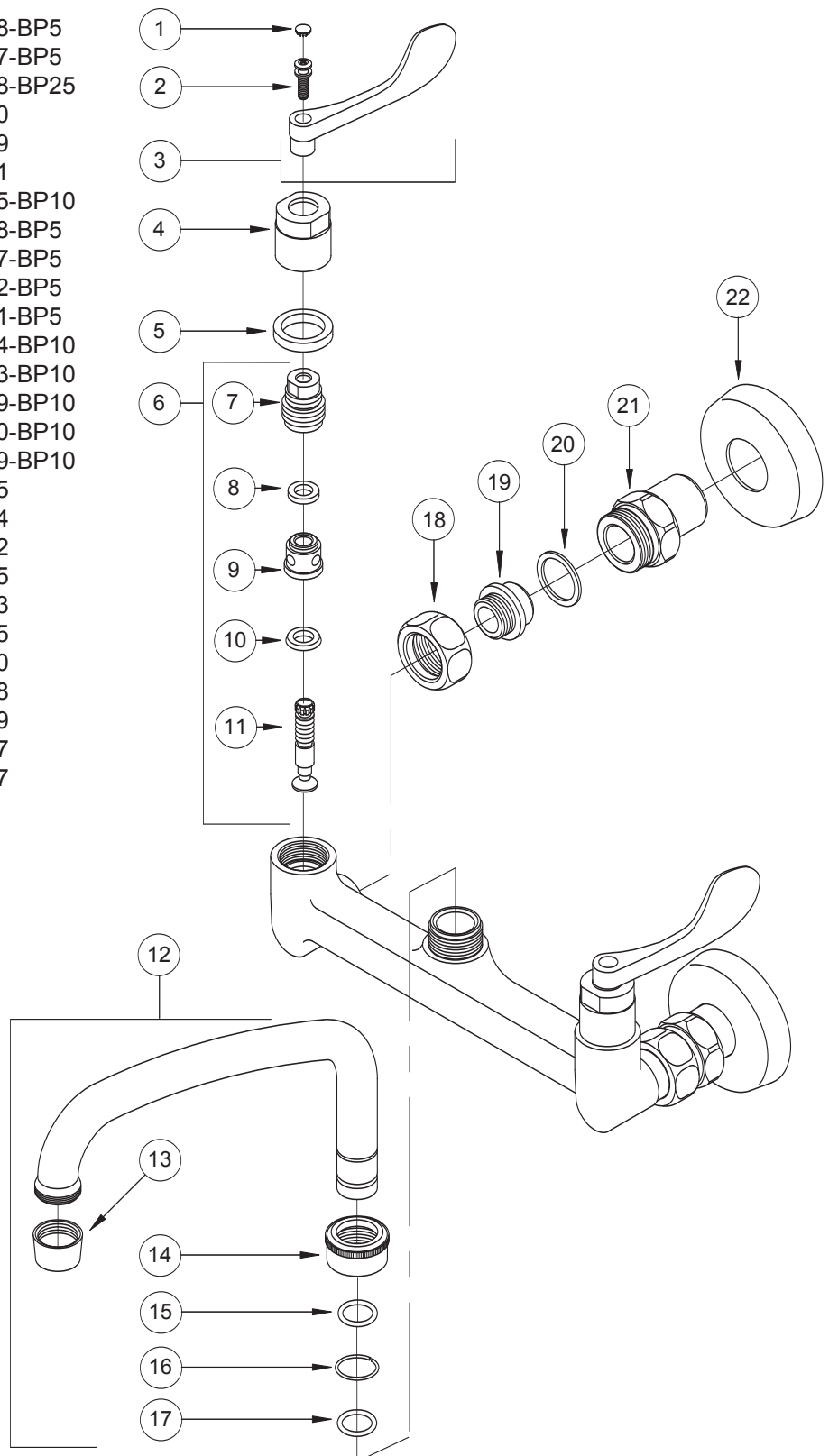
- Aerator (0.5 GPM, 1.9 L/min) **A5**
- Laminar Flow Outlet (2.0 GPM, 7.6 L/min) **LF**
- Vandal Resistant Aerator (0.5 GPM, 1.9 L/min) **V5**
- Vandal Resistant Aerator (2.0 GPM, 7.6 L/min) **VA**
- Vandal Resistant Laminar Flow (2.0 GPM, 7.6 L/min) **VF**
- Integral Stops **IS**

**Additional Options**

- VH** Vandal Resistant Handles
- SC** Self Closing Cartridges
- QT** Quarter Turn Cartridges
- 06** Swing Spout, 6" (152 mm)
- 10** Swing Spout, 10" (254 mm)
- 12** Swing Spout, 12" (304 mm)

#	Description	Part #*
1	Button, Blue	039298-BP5
	Button, Red	039297-BP5
2	Screw	039328-BP25
3	4-1/2" Blade Handle Assy., Blue	039300
	4-1/2" Blade Handle Assy., Red	039299
4	Locknut	300631
5	O-Ring	039035-BP10
6	LH Cartridge	039038-BP5
	RH Cartridge	039037-BP5
7	LH Centrepiece	039032-BP5
	RH Centrepiece	039031-BP5
8	O-Ring	039034-BP10
9	Sleeve	039033-BP10
10	Seat Ring	039039-BP10
11	LH Stem	039030-BP10
	RH Stem	039029-BP10
12	Spout Assy.	039475
13	Aerator	300994
14	Locknut	301702
15	Shim	311325
16	Locking Ring	301703
17	O-Ring	300435
18	Union Nut	300500
19	Collar	300498
20	Gasket	300499
21	Shank	300497
22	Flange w/ Set Screw	351507

\*BPx denotes the bulk pack quantity



# P3360 Sink Fitting, Wall Mount



**P3360 Specification:** Commercial grade wall mount sink fitting with colour indexed 6" metal blade handles, 8" (203 mm) swing spout, Dial-ese® cartridges and a 2.0 GPM (7.6 L/min) aerator. Heavy duty cast brass body has a resilient polished chrome plated finish and 1/2"-14 NPT threaded inlets. Includes adjustable inlet centres from 7-3/4" (197 mm) to 8-3/4" (222 mm).

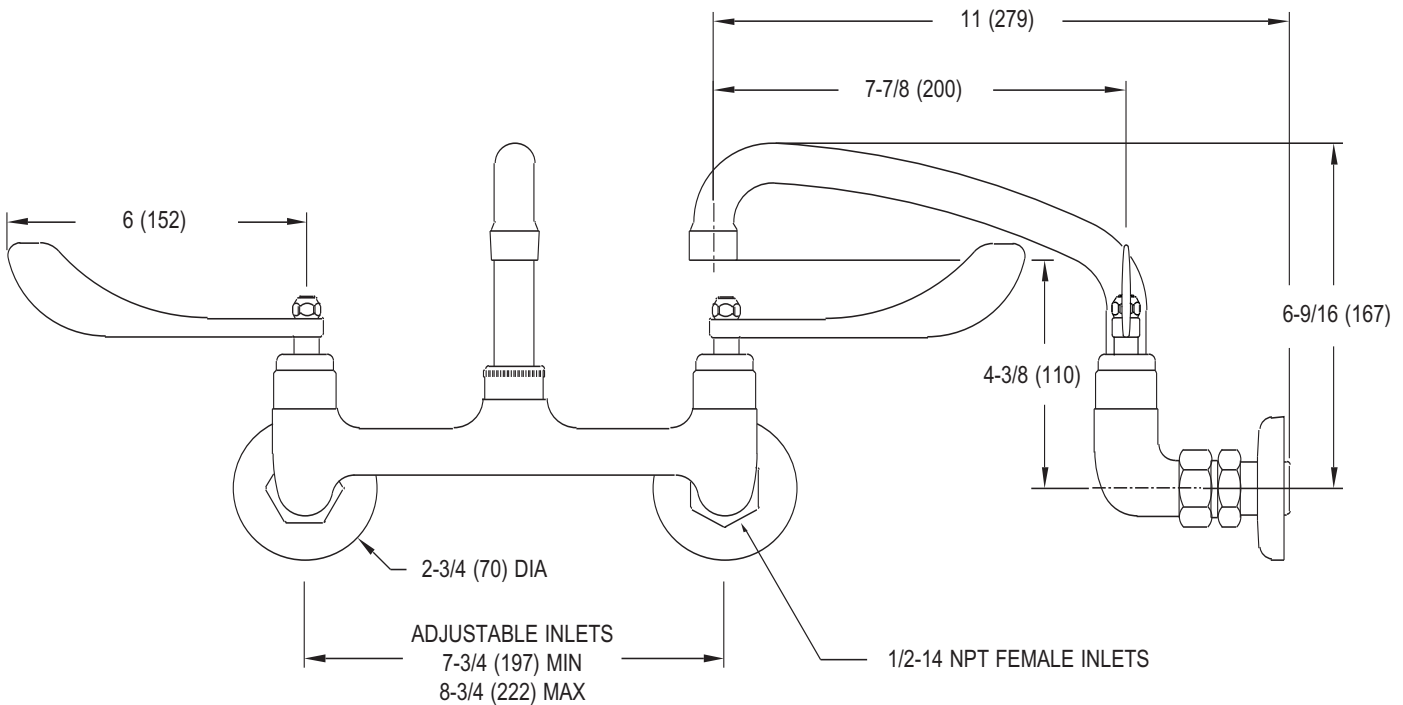


**P3360 Model Shown**

**Maximum Operating Pressure Rating** ..... 125 PSI (860 KPa)

**Maximum Operating Temperature Rating** ..... 65 C (150 F)

**Shipping Weight** ..... 4.8 Lbs (2.2 Kg)



*Dimensions shown in inches (mm) are for reference only and are subject to change.*

**Ordering Code:**

**P3360 - - - - -**

**Outlet Options**

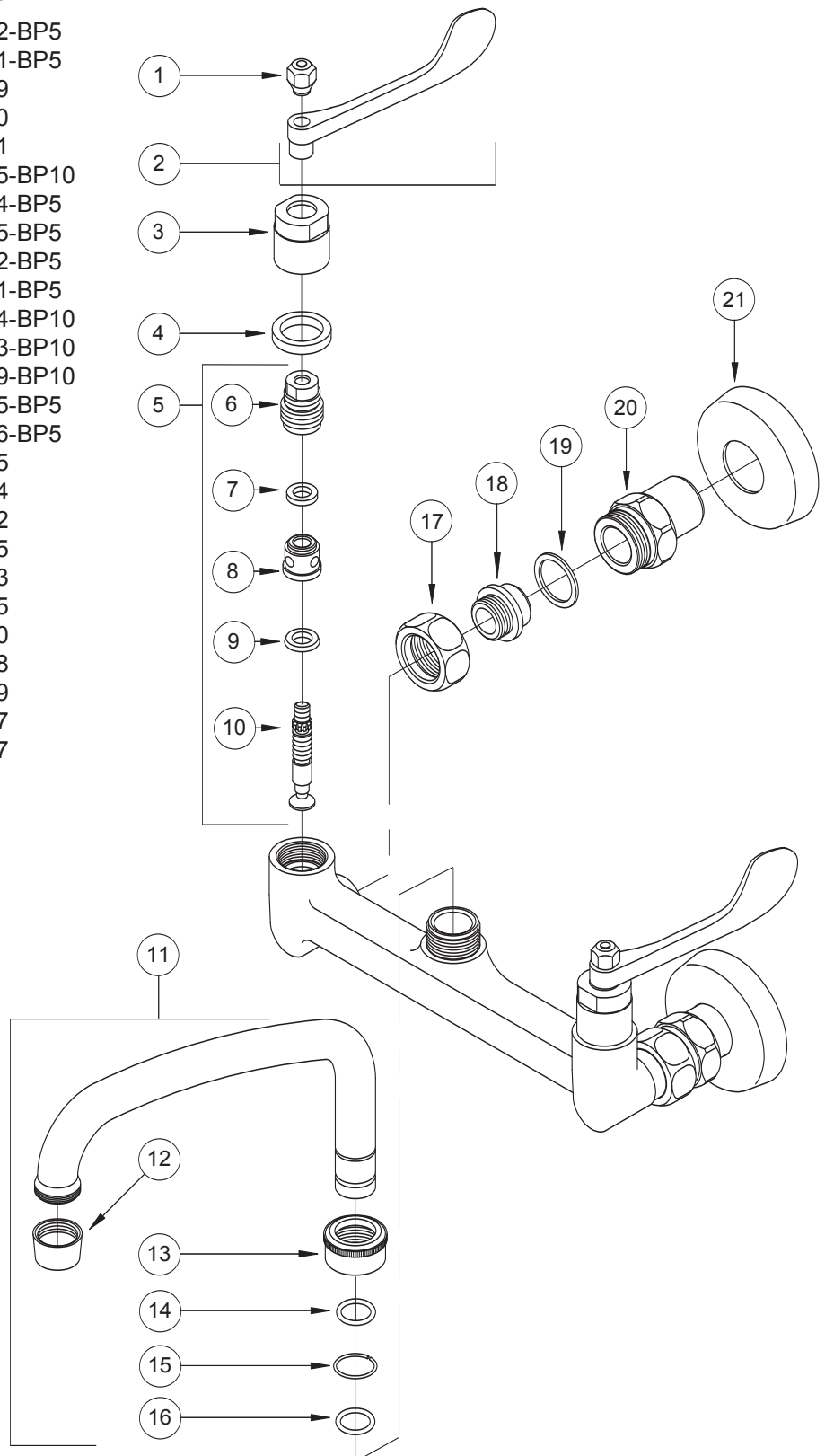
- Aerator (0.5 GPM, 1.9 L/min) **A5**
- Laminar Flow Outlet (2.0 GPM, 7.6 L/min) **LF**
- Vandal Resistant Aerator (0.5 GPM, 1.9 L/min) **V5**
- Vandal Resistant Aerator (2.0 GPM, 7.6 L/min) **VA**
- Vandal Resistant Laminar Flow (2.0 GPM, 7.6 L/min) **VF**
- Quarter Turn Cartridges **QT**

**Additional Options**

- IS** Integral Stops
- 06** Swing Spout, 6" (152 mm)
- 10** Swing Spout, 10" (254 mm)
- 12** Swing Spout, 12" (304 mm)

#	Description	Part #*
1	Cap Nut, Blue	039302-BP5
	Cap Nut, Red	039301-BP5
2	6" Blade Handle Assy., Blue	039319
	6" Blade Handle Assy., Red	039320
3	Locknut	300631
4	O-Ring	039035-BP10
5	LH Cartridge	039064-BP5
	RH Cartridge	039065-BP5
6	LH Centrepiece	039032-BP5
	RH Centrepiece	039031-BP5
7	O-Ring	039034-BP10
8	Sleeve	039033-BP10
9	Seat Ring	039039-BP10
10	LH Stem	039055-BP5
	RH Stem	039056-BP5
11	Spout Assy.	039475
12	Aerator	300994
13	Locknut	301702
14	Shim	311325
15	Locking Ring	301703
16	O-Ring	300435
17	Union Nut	300500
18	Collar	300498
19	Gasket	300499
20	Shank	300497
21	Flange w/ Set Screw	351507

\*BPx denotes the bulk pack quantity



# P3370 Sink Fitting, Wall Mount



**P3370 Specification:** Commercial grade wall mount sink fitting with colour index metal cross handles, 8" (203 mm) spout, Dial-ese® cartridges and a 2.0 GPM (7.6 L/min) aerator. Heavy duty cast brass body has a resilient polished chrome plated finish and 1/2"-14 NPT threaded inlets. Includes adjustable inlet centres from 7-3/4" (197 mm) to 8-3/4" (222 mm).

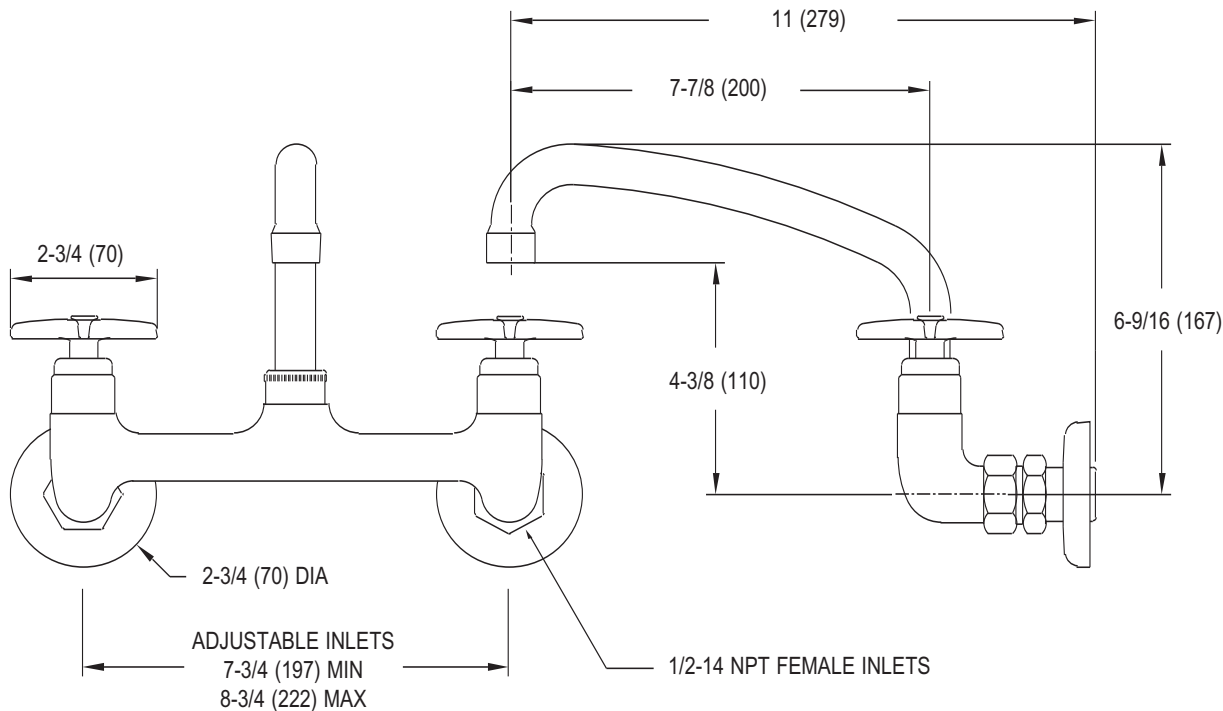


**P3370 Model Shown**

**Maximum Operating Pressure Rating** ..... 125 PSI (860 KPa)

**Maximum Operating Temperature Rating** ..... 65 C (150 F)

**Shipping Weight** ..... 4.8 Lbs (2.2 Kg)



*Dimensions shown in inches (mm) are for reference only and are subject to change.*

**Ordering Code:**

**P3370 - - - - -**

**Outlet Options**

- Aerator (0.5 GPM, 1.9 L/min) **A5**
- Laminar Flow Outlet (2.0 GPM, 7.6 L/min) **LF**
- Vandal Resistant Aerator (0.5 GPM, 1.9 L/min) **V5**
- Vandal Resistant Aerator (2.0 GPM, 7.6 L/min) **VA**
- Vandal Resistant Laminar Flow (2.0 GPM, 7.6 L/min) **VF**
- Integral Stops **IS**

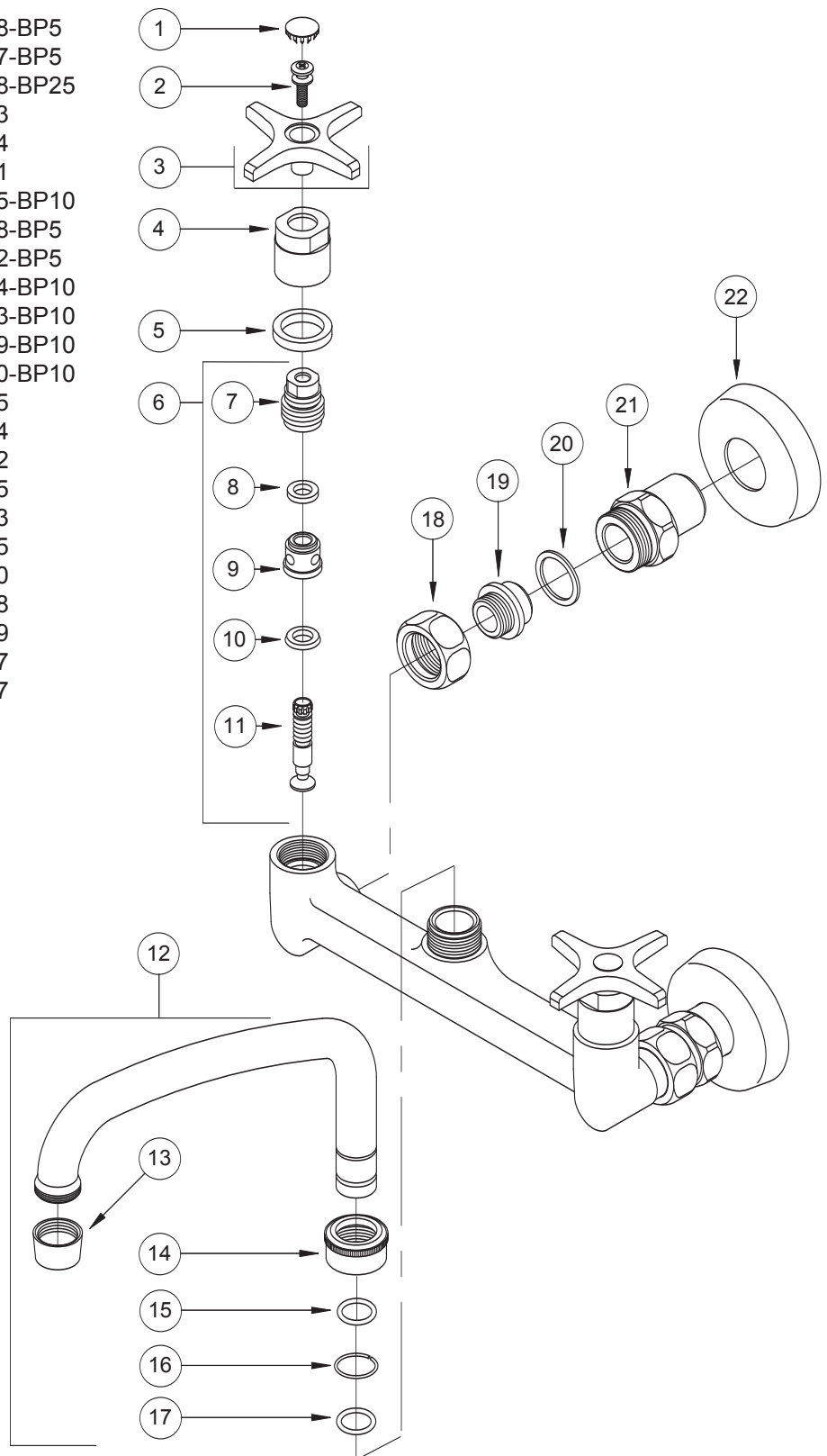
**Additional Options**

- VH** Vandal Resistant Handles
- SC** Self Closing Cartridges
- QT** Quarter Turn Cartridges
- 06** Swing Spout, 3-1/2" (89 mm) Long
- 10** Swing Spout, 5-1/4" (133 mm) Long
- 12** Swing Spout, 8" (203 mm) Long



#	Description	Part #*
1	Button, Blue	039298-BP5
	Button, Red	039297-BP5
2	Screw	039328-BP25
3	Cross Handle Assy., Blue	039313
	Cross Handle Assy., Red	039314
4	Locknut	300631
5	O-Ring	039035-BP10
6	Cartridge	039038-BP5
7	Centrepiece	039032-BP5
8	O-Ring	039034-BP10
9	Sleeve	039033-BP10
10	Seat Ring	039039-BP10
11	Stem	039030-BP10
12	Spout Assy.	039475
13	Aerator	300994
14	Locknut	301702
15	Shim	311325
16	Locking Ring	301703
17	O-Ring	300435
18	Union Nut	300500
19	Collar	300498
20	Gasket	300499
21	Shank	300497
22	Flange w/ Set Screw	351507

\*BPx denotes the bulk pack quantity



# P3402 Bedpan Cleanser, Double Pedal



**P3402 Specification:** Commercial grade wall mount bedpan cleanser with hinged double pedals, intergral stops, volume control valve, and backflow preventor. Assembly includes supply elbow with clamp, insulated handle, and 32" re-inforced vinyl hose. Heavy duty cast brass body, with a resilient polished chrome plated cover.

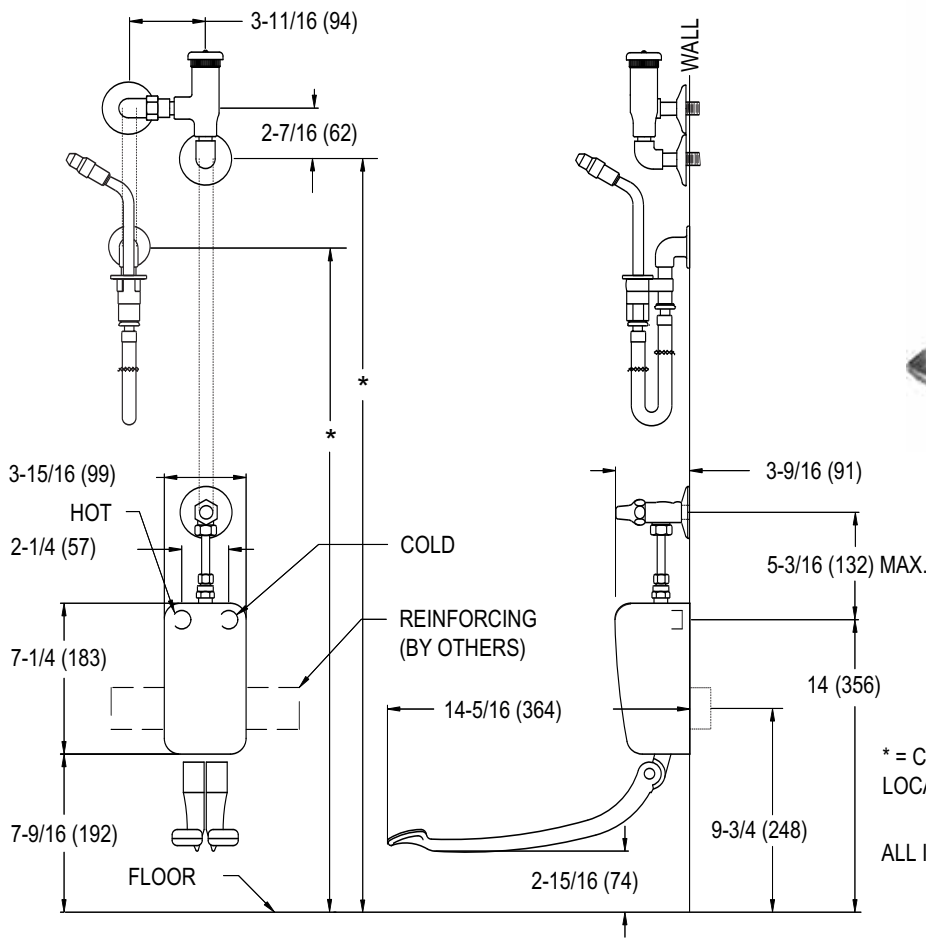
**Maximum Operating Pressure Rating** ..... 125 PSI (860 KPa)

**Maximum Operating Temperature Rating** ..... 65 C (150 F)

**Shipping Weight** ..... 15.0 Lbs (6.8 Kg)



**P3402 Model Shown**



\* = CHECK THIS DIMENSION AGAINST LOCAL CODE.

ALL INLETS AND OUTLETS 3/8 NPT

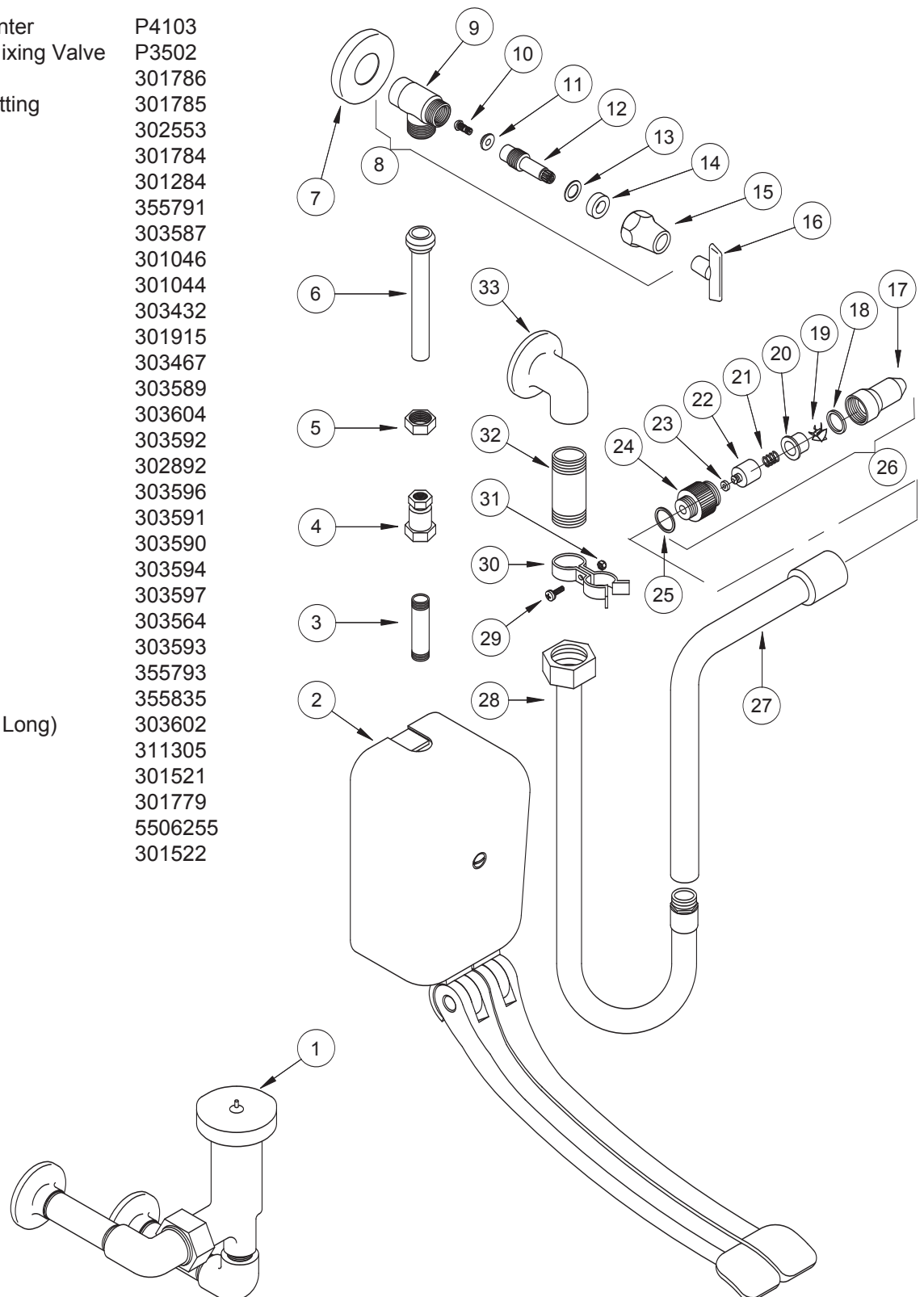


Dimensions shown in inches (mm) are for reference only and are subject to change.

**Ordering Code:**

**P3402**

#	Description	Part #*
1	Backflow Preventer	P4103
2	Double Pedal Mixing Valve	P3502
3	Nipple	301786
4	Compression Fitting	301785
5	Union Nut	302553
6	Flexible Tube	301784
7	Flange	301284
8	Stop Assy	355791
9	Body	303587
10	Screw	301046
11	Washer	301044
12	Stem	303432
13	Washer	301915
14	Packing	303467
15	Lockshield	303589
16	Key	303604
17	Nozzle Body	303592
18	O-Ring	302892
19	Spinner	303596
20	Guide	303591
21	Spring	303590
22	Plunger	303594
23	O-Ring	303597
24	Seat	303564
25	Gasket	303593
26	Spray Assy	355793
27	Handle & Grip	355835
28	Vinyl Hose (32" Long)	303602
29	Screw	311305
30	Clamp	301521
31	Nut	301779
32	Nipple	5506255
33	Flanged Elbow	301522



# P3403 Bedpan Cleanser, Single Pedal



**P3403 Specification:** Commercial grade wall mount bedpan cleanser with hinged single pedal, intergral stop, volume control valve, and backflow preventor. Assembly includes supply elbow with clamp, insulated handle, and 32" re-inforced vinyl hose. Heavy duty cast brass body, with a resilient polished chrome plated cover.

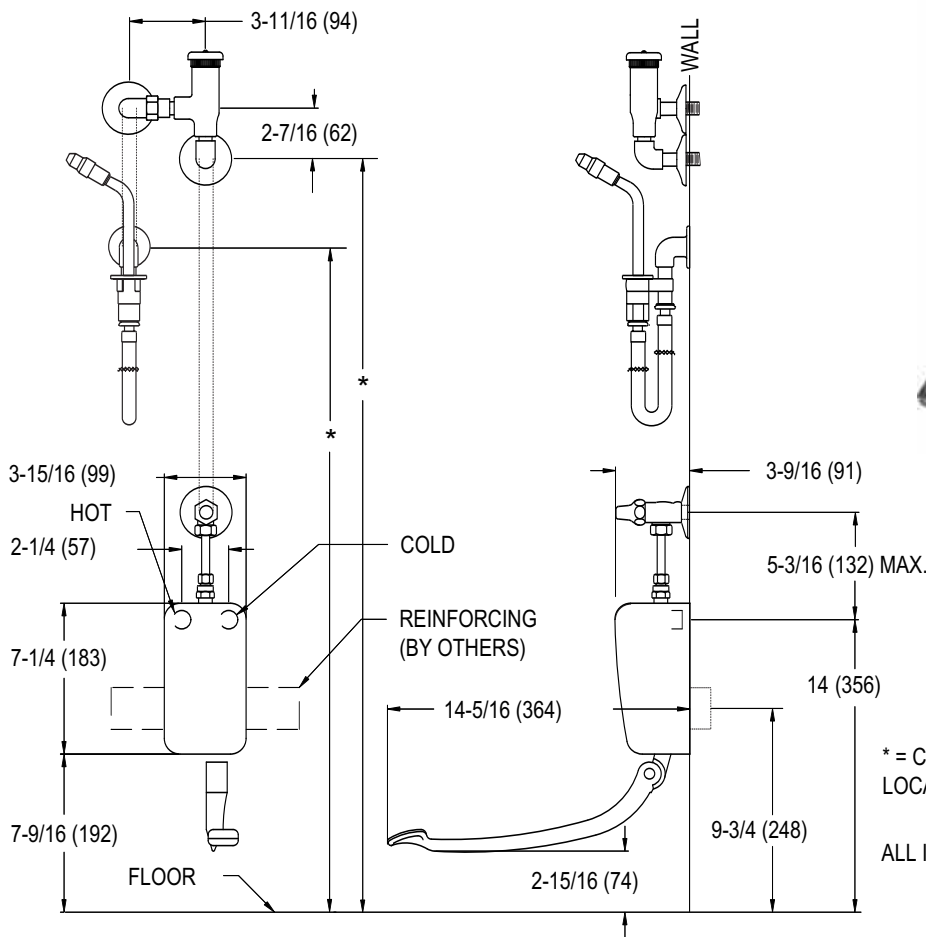
**Maximum Operating Pressure Rating** ..... 125 PSI (860 KPa)

**Maximum Operating Temperature Rating** ..... 65 C (150 F)

**Shipping Weight** ..... 16.5 Lbs (7.5 Kg)



**P3403 Model Shown**



\* = CHECK THIS DIMENSION AGAINST LOCAL CODE.

ALL INLETS AND OUTLETS 3/8 NPT

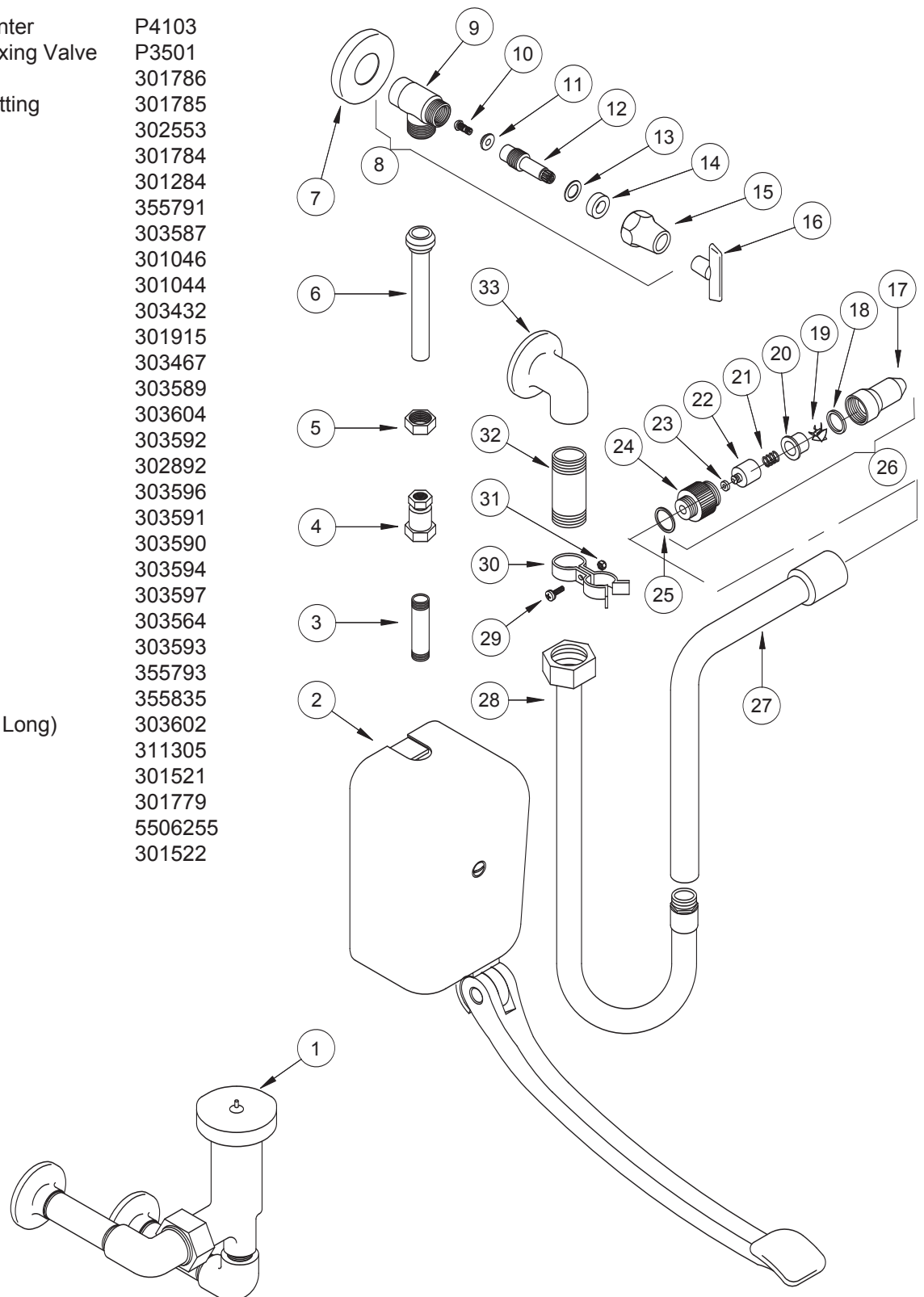
Dimensions shown in inches (mm) are for reference only and are subject to change.

**Ordering Code:**

**P3403**



#	Description	Part #*
1	Backflow Preventer	P4103
2	Single Pedal Mixing Valve	P3501
3	Nipple	301786
4	Compression Fitting	301785
5	Union Nut	302553
6	Flexible Tube	301784
7	Flange	301284
8	Stop Assy	355791
9	Body	303587
10	Screw	301046
11	Washer	301044
12	Stem	303432
13	Washer	301915
14	Packing	303467
15	Lockshield	303589
16	Key	303604
17	Nozzle Body	303592
18	O-Ring	302892
19	Spinner	303596
20	Guide	303591
21	Spring	303590
22	Plunger	303594
23	O-Ring	303597
24	Seat	303564
25	Gasket	303593
26	Spray Assy	355793
27	Handle & Grip	355835
28	Vinyl Hose (32" Long)	303602
29	Screw	311305
30	Clamp	301521
31	Nut	301779
32	Nipple	5506255
33	Flanged Elbow	301522



# P3471 Bedpan Cleanser, Single Handle

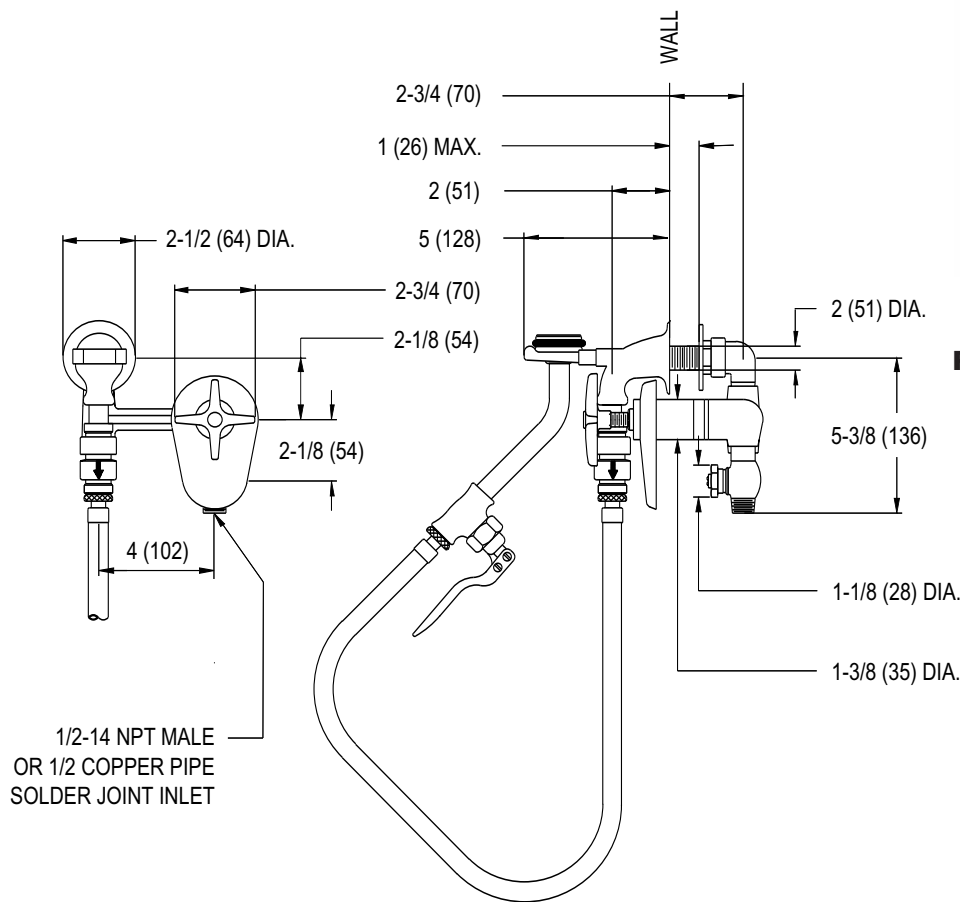


**P3471 Specification:** Commercial grade wall mount bedpan cleanser with cross handle, screwdriver stop, 1/2" IPS male or solder inlet, inline vacuum breaker, and rigid spout with hook. Assembly includes 48" rubber hose with spray face and self closing stop. Heavy duty cast brass body construction includes a resilient polished chrome plated finish on exposed surfaces.

**Maximum Operating Pressure Rating** ..... 125 PSI (860 KPa)

**Maximum Operating Temperature Rating** ..... 65 C (150 F)

**Shipping Weight** ..... 8.0 Lbs (3.6 Kg)



**P3471 Model Shown**

*Dimensions shown in inches (mm) are for reference only and are subject to change.*

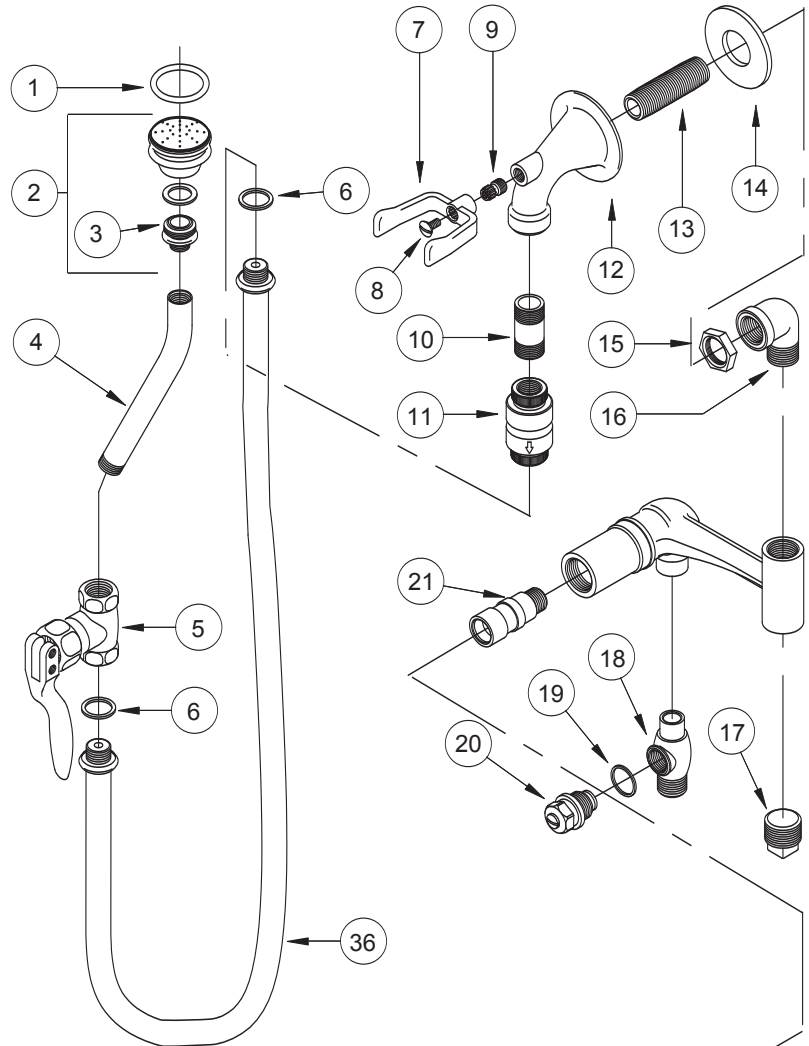


**Ordering Code:**

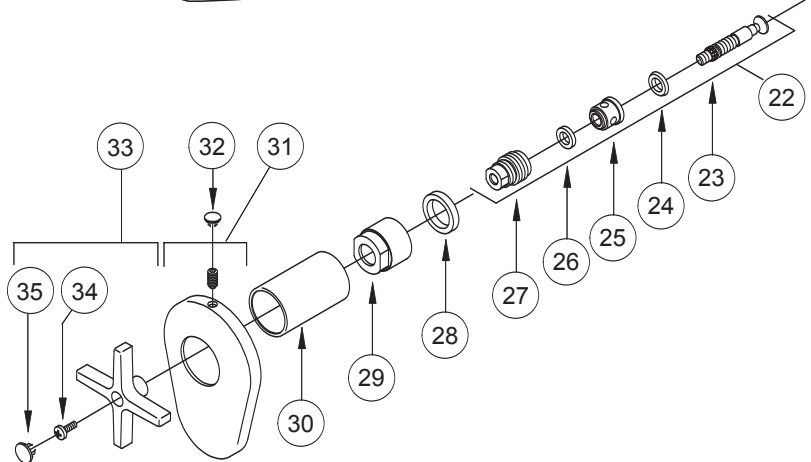
**P3471 -**



#	Description	Part #*
1	Ring	300925
2	Spray Face Assembly	355832
3	Adapter	311357
4	Bent Nipple	303801
5	Self Closing Stop	361181
6	Gasket	300924
7	Spray Hook	300724
8	Screw	300723
9	Stud	300722
10	Nipple	301296
11	Backflow Preventer	63053
12	Spout	300721
13	Nipple	300718
14	Washer	300720
15	Locknut	300585
16	Elbow	300912
17	Plug	300982
18	Body	301787
19	Gasket	303292
20	Cartridge	301852
21	Seat Extension	300129
22	Cartridge	039038-BP5
23	Stem	039030-BP10
24	Seat Ring	039039-BP10
25	Sleeve	039033-BP10
26	O-Ring	039034-BP10
27	Centrepiece	039032-BP5
28	O-Ring	039035-BP10
29	Locknut	300631
30	Sleeve	302628
31	Escutcheon w/ Set Screw	356154P
32	Button	303428
33	Cross Handle Assy.	039341
34	Screw	039328-BP25
35	Button, Plain	039343-BP5
36	Hose Assy. (48" Long)	355834



\*BPx denotes the bulk pack quantity



# P3472 Bedpan Cleanser, Double Handle



**P3472 Specification:** Commercial grade wall mount bedpan cleanser with cross handles, screwdriver stops, 1/2" IPS male or solder inlets, inline vacuum breaker, and rigid spout with hook. Assembly includes 48" rubber hose with spray face and self closing stop. Heavy duty cast brass body construction includes a resilient polished chrome plated finish on exposed surfaces.

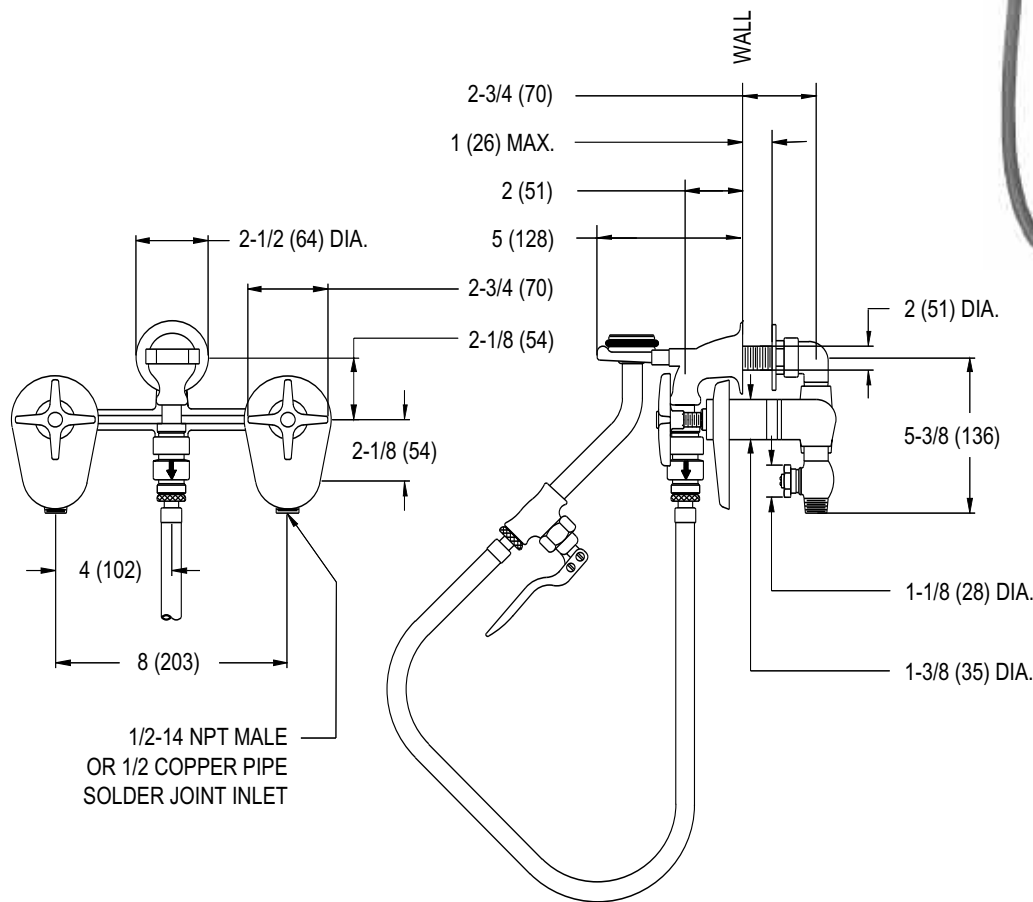
**Maximum Operating Pressure Rating** ..... 125 PSI (860 KPa)

**Maximum Operating Temperature Rating** ..... 65 C (150 F)

**Shipping Weight** ..... 11.0 Lbs (5.0 Kg)



**P3472 Model Shown**



*Dimensions shown in inches (mm) are for reference only and are subject to change.*



**Ordering Code:**

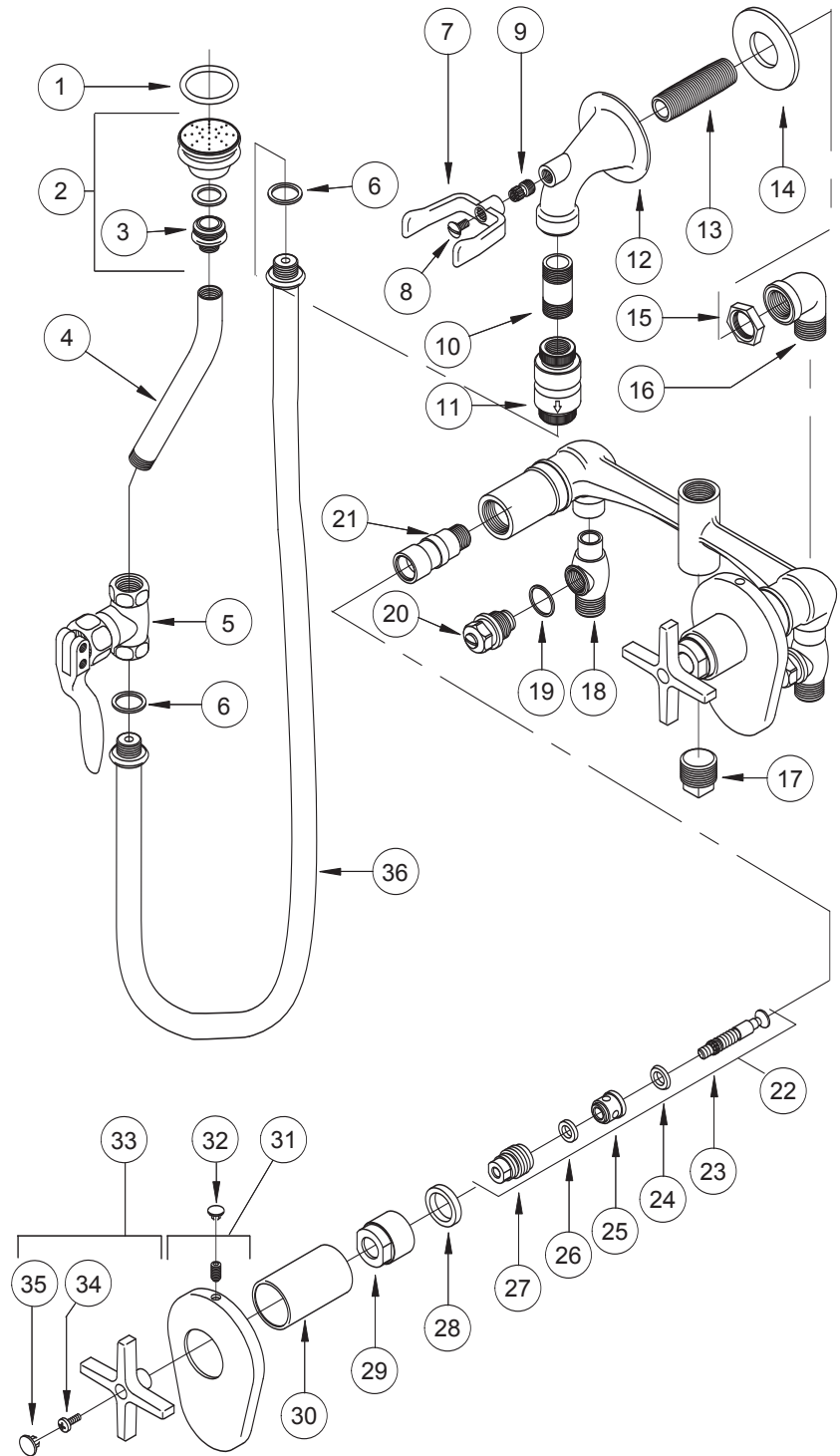
**P3472 -**





#	Description	Part #*
1	Ring	300925
2	Spray Face Assembly	355832
3	Adapter	311357
4	Bent Nipple	303801
5	Self Closing Stop	361181
6	Gasket	300924
7	Spray Hook	300724
8	Screw	300723
9	Stud	300722
10	Nipple	301296
11	Backflow Preventer	63053
12	Spout	300721
13	Nipple	300718
14	Washer	300720
15	Locknut	300585
16	Elbow	300912
17	Plug	300982
18	Body	301787
19	Gasket	303292
20	Cartridge	301852
21	Seat Extension	300129
22	Cartridge	039038-BP5
23	Stem	039030-BP10
24	Seat Ring	039039-BP10
25	Sleeve	039033-BP10
26	O-Ring	039034-BP10
27	Centrepiece	039032-BP5
28	O-Ring	039035-BP10
29	Locknut	300631
30	Sleeve	302628
31	Escutcheon w/ Set Screw	356154P
32	Button	303428
33	Cross Handle Assy., Blue	039313
	Cross Handle Assy., Red	039314
34	Screw	039328-BP25
35	Button, Blue	039298-BP5
	Button, Red	039297-BP5
36	Hose Assy. (48" Long)	355834

\*BPx denotes the bulk pack quantity



# P3475 Mop Sink Fitting, Concealed



**P3475 Specification:** Commercial grade concealed mop sink supply fitting with cross handles, Dial-ese® cartridges, elevated wall mount backflow preventer and outlet hose. Assembly includes 58" vinyl hose, and heavy duty cast brass body with a resilient polished chrome plated finish on all exposed surfaces.

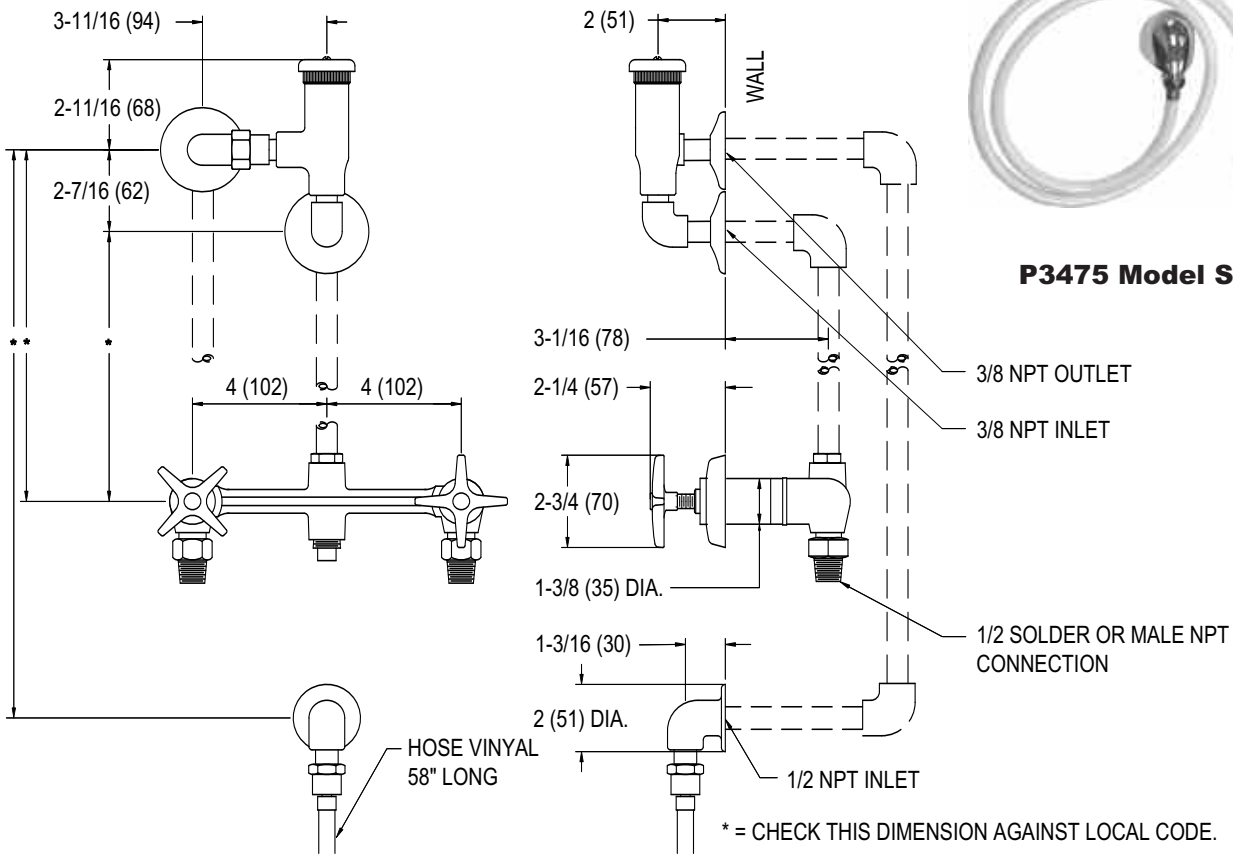
**Maximum Operating Pressure Rating** ..... 125 PSI (860 KPa)

**Maximum Operating Temperature Rating** ..... 65 C (150 F)

**Shipping Weight** ..... 7.7 Lbs (3.5 Kg)



**P3475 Model Shown**



Dimensions shown in inches (mm) are for reference only and are subject to change.

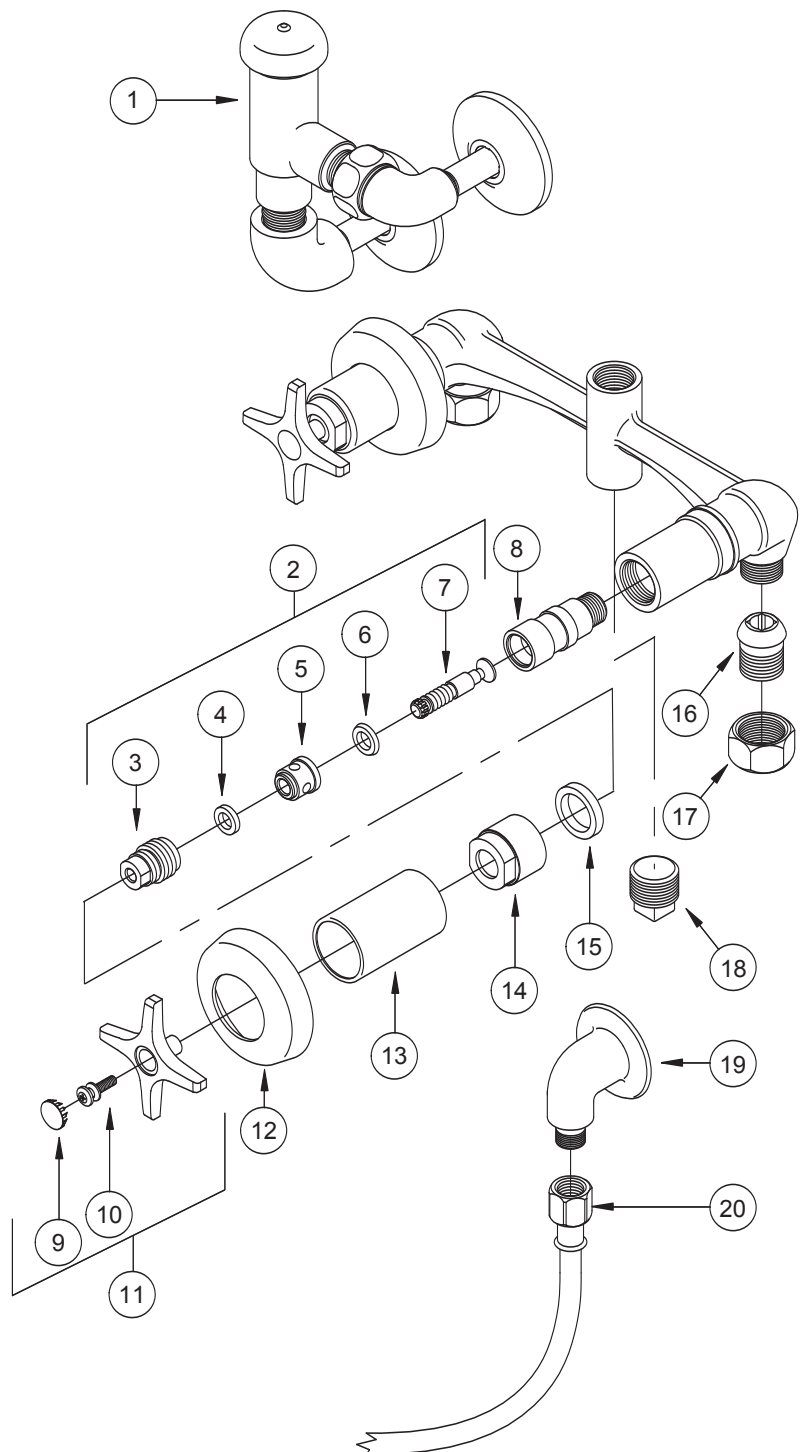
**Ordering Code:**

**P3475**



#	Description	Part #*
1	Backflow Preventer	P4103
2	Cartridge	039038-BP5
3	Centrepiece	039032-BP5
4	O-Ring	039034-BP10
5	Sleeve	039033-BP10
6	Seat Ring	039039-BP10
7	Stem	039030-BP10
8	Seat Extension	300129
9	Button, Blue	039298-BP5
	Button, Red	039297-BP5
10	Screw	039328-BP25
11	Cross Handle Assy., Blue	039313
	Cross Handle Assy., Red	039314
12	Flange	356154P
13	Sleeve	302628
14	Locknut	300631
15	O-Ring	039035-BP10
16	Tailpiece	300940
17	Union Nut	300938
18	Plug	300982
19	Elbow	141-320
20	Vinyl Hose (58" Long)	141318B

\*BPx denotes the bulk pack quantity



# P3501 Pedal Valve, Single, Wall Mount



**P3501 Specification:** Commercial grade cast brass wall mount pedal valve. Assembly includes single colour indexed aluminum foot pedal, self-closing cartridge, rigid wall bracket, adjustable pedal height, and volume control with loose key. Cover plate includes a resilient polished chrome plated finish.

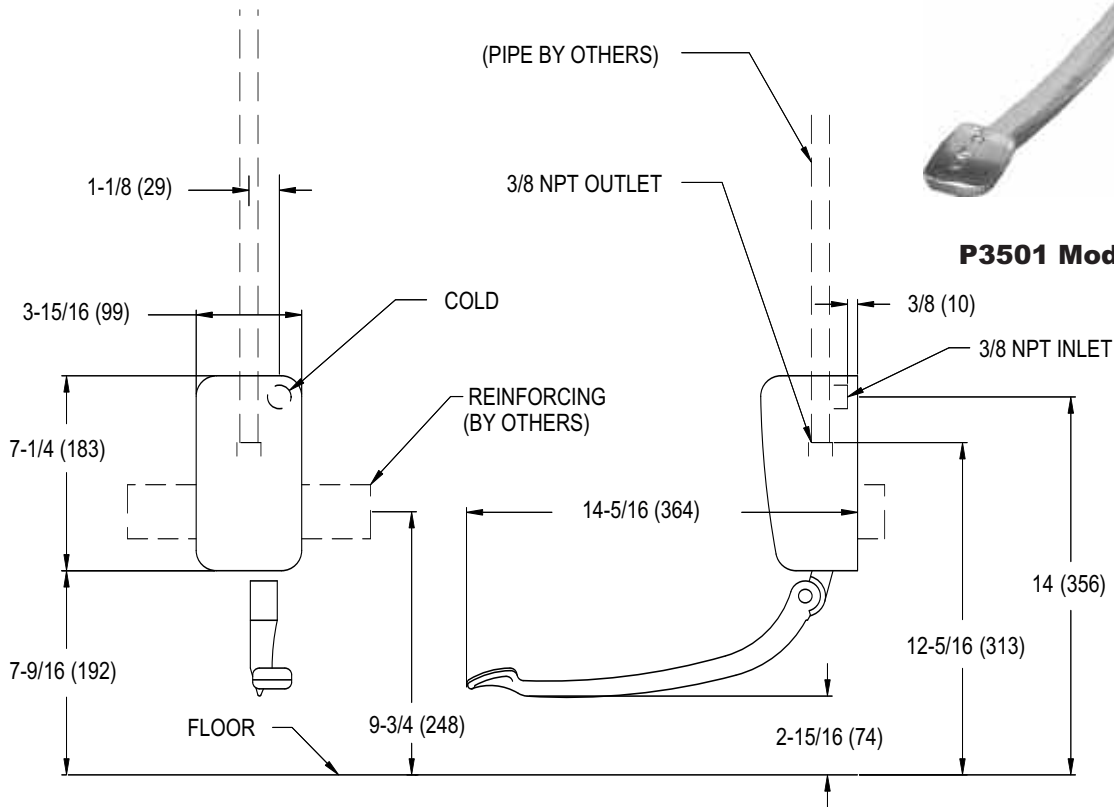
**Maximum Operating Pressure Rating** ..... 125 PSI (860 KPa)

**Maximum Operating Temperature Rating** ..... 65 C (150 F)

**Shipping Weight** ..... 8.5 Lbs (3.9 Kg)



**P3501 Model Shown**



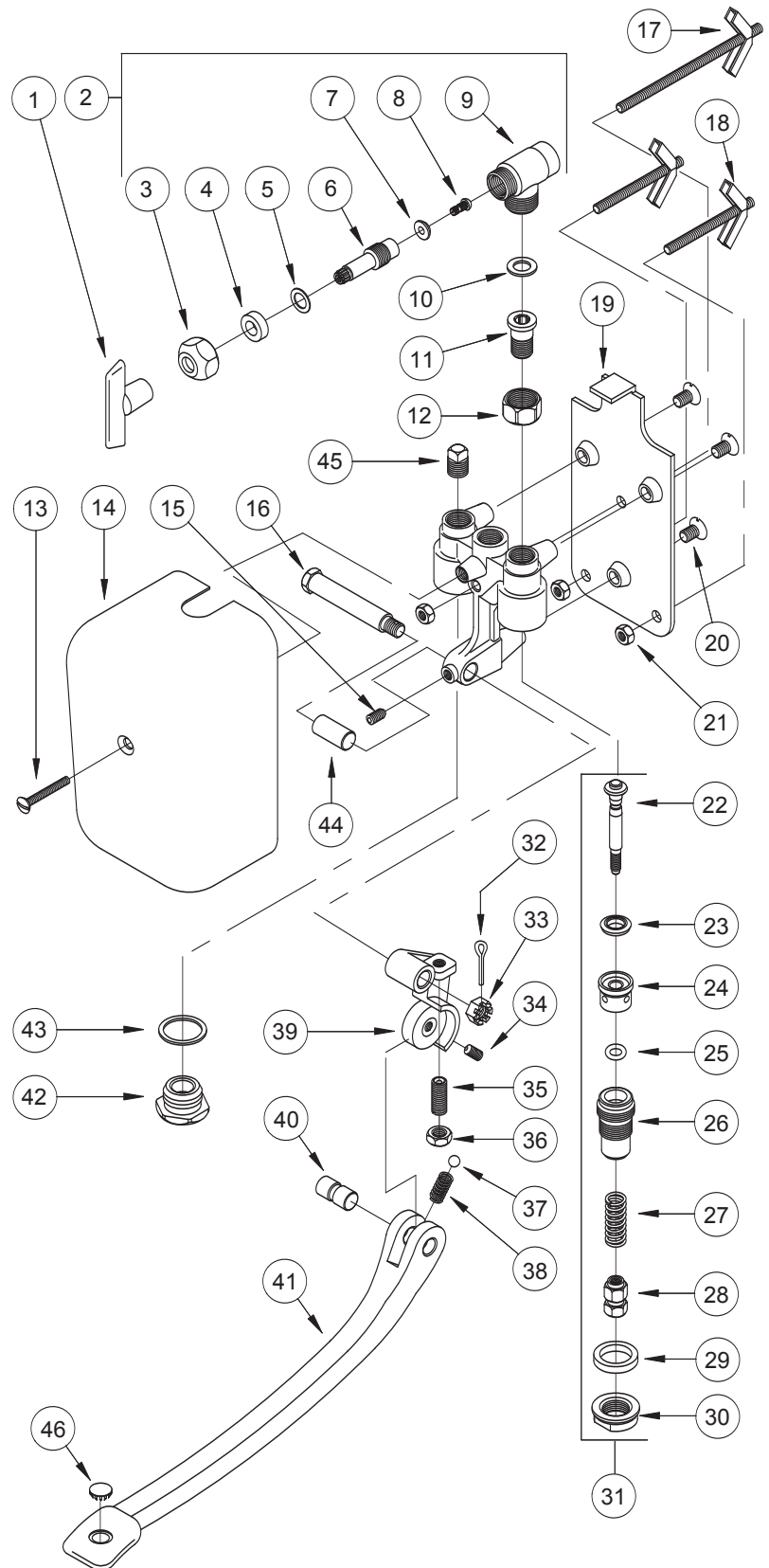
*Dimensions shown in inches (mm) are for reference only and are subject to change.*



**Ordering Code:**

**P3501**

#	Description	Part #*
1	Key	303604
2	Stop	355775
3	Nut	303433
4	Packing	303467
5	Washer	301915
6	Stem	303432
7	Washer	301044
8	Screw	301046
9	Body	303429
10	Gasket	303466
11	Tailpiece	303463
12	Union Nut	300125
13	Screw	303465
14	Cover	309665
15	Screw	303504
16	Pedal Pin	5506245
17	Bolt (Long 5")	303475
18	Bolt (Short 3")	303474
19	Base Plate	303464
20	Screw	303514
21	Nut	303486
22	Stem	303439
23	Seat Ring	039026-BP10
24	Sleeve	300577
25	O-Ring	039027-BP10
26	Centrepiece	303442
27	Spring	303453
28	Nut	303440
29	O-Ring	039035-BP10
30	Locknut	300109
31	Cartridge	039091-BP2
32	Cotter Pin	303493
33	Nut	303436
34	Set Screw	303503
35	Screw	303483
36	Locknut	303485
37	Ball	303437
38	Spring	303438
39	Right Yoke	303552
40	Hinge Pin	5506250
41	Pedal	303554
42	Plug	303546
43	Gasket	302343
44	Spacer	303545
45	Plug	303548
46	Button, Blue	039298-BP5



\*BPx denotes the bulk pack quantity

# P3502 Pedal Valve, Double, Wall Mount



**P3502 Specification:** Commercial grade cast brass wall mount pedal valve. Assembly includes two colour indexed aluminum foot pedals, self-closing cartridges, rigid wall bracket, adjustable pedal height, and volume control with loose key. Cover plate includes a resilient polished chrome plated finish.

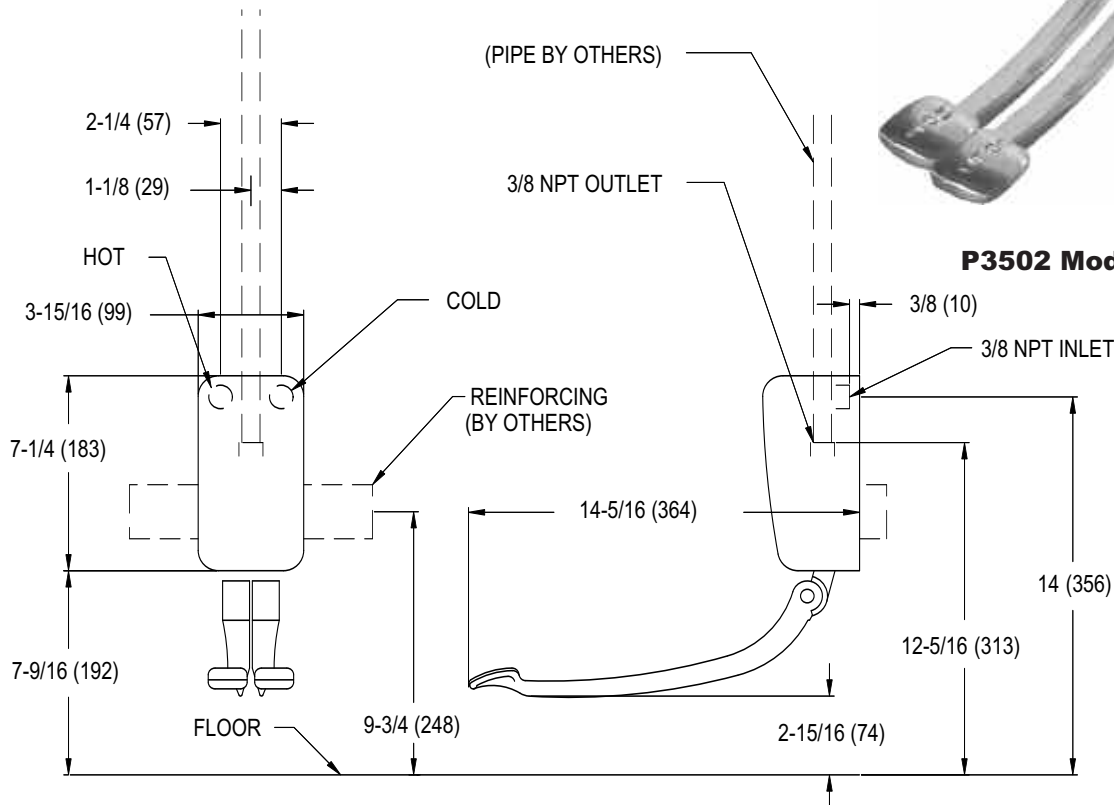
**Maximum Operating Pressure Rating** ..... 125 PSI (860 KPa)

**Maximum Operating Temperature Rating** ..... 65 C (150 F)

**Shipping Weight** ..... 9.0 Lbs (4.1 Kg)



**P3502 Model Shown**



*Dimensions shown in inches (mm) are for reference only and are subject to change.*

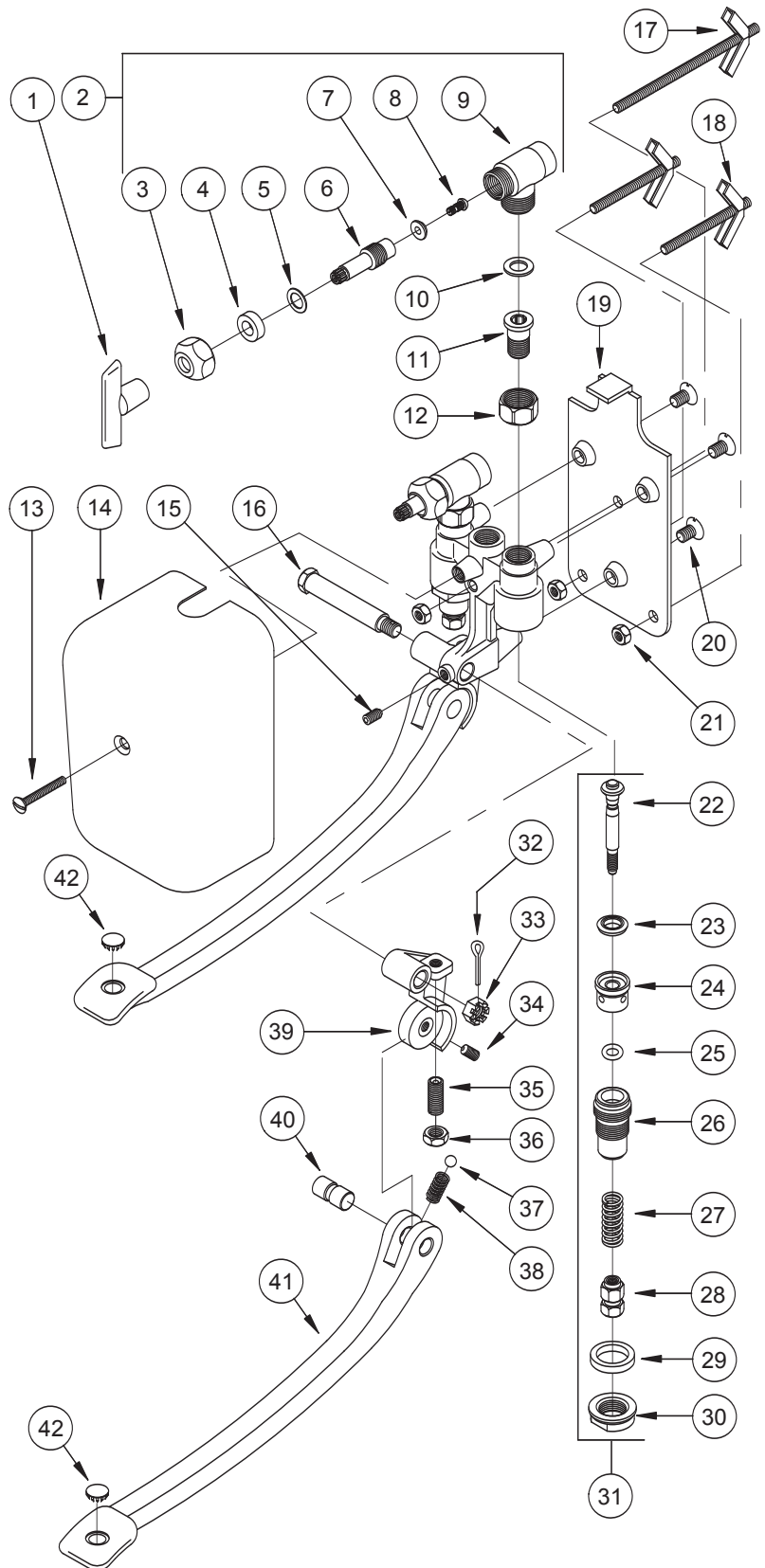


**Ordering Code:**

**P3502**

#	Description	Part #*
1	Key	303604
2	Stop	355775
3	Nut	303433
4	Packing	303467
5	Washer	301915
6	Stem	303432
7	Washer	301044
8	Screw	301046
9	Body	303429
10	Gasket	303466
11	Tailpiece	303463
12	Union Nut	300125
13	Screw	303465
14	Cover	309665
15	Screw	303504
16	Pedal Pin	5506245
17	Bolt (Long 5")	303475
18	Bolt (Short 3")	303474
19	Base Plate	303464
20	Screw	303514
21	Nut	303486
22	Stem	303439
23	Seat Ring	039026-BP10
24	Sleeve	300577
25	O-Ring	039027-BP10
26	Centrepiece	303442
27	Spring	303453
28	Nut	303440
29	O-Ring	039035-BP10
30	Locknut	300109
31	Cartridge	039091-BP2
32	Cotter Pin	303493
33	Nut	303436
34	Set Screw	303503
35	Screw	303483
36	Locknut	303485
37	Ball	303437
38	Spring	303438
39	Left Yoke	303551
	Right Yoke	303552
40	Hinge Pin	5506250
41	Pedal, Cold	303554
	Pedal, Hot	303553
42	Button, Blue	039298-BP5
	Button, Red	039297-BP5

\*BPx denotes the bulk pack quantity



# P3503 Pedal Valve, Single, Floor Mount



**P3503 Specification:** Commercial grade cast brass floor mount pedal valve. Assembly includes single colour indexed foot pedal, self-closing cartridge, rigid floor bracket, adjustable pedal height, and volume control with loose key. Cover plate includes a resilient polished chrome plated finish.

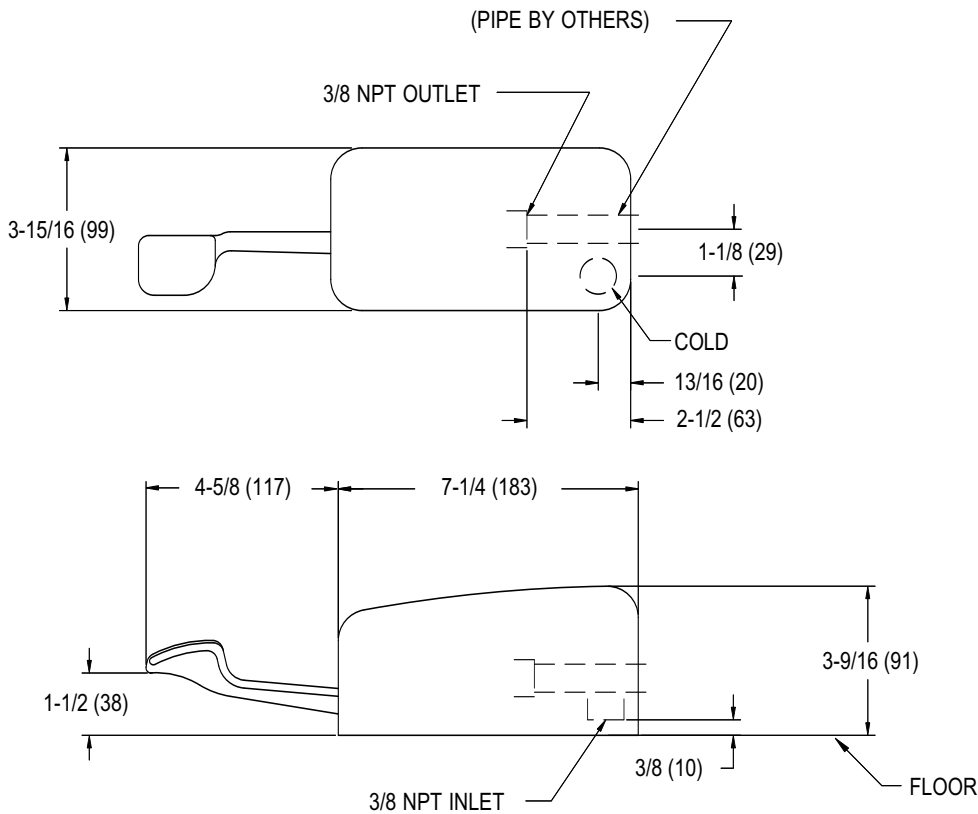


**P3503 Model Shown**

**Maximum Operating Pressure Rating** ..... 125 PSI (860 KPa)

**Maximum Operating Temperature Rating** ..... 65 C (150 F)

**Shipping Weight** ..... 8.0 Lbs (3.6 Kg)



*Dimensions shown in inches (mm) are for reference only and are subject to change.*



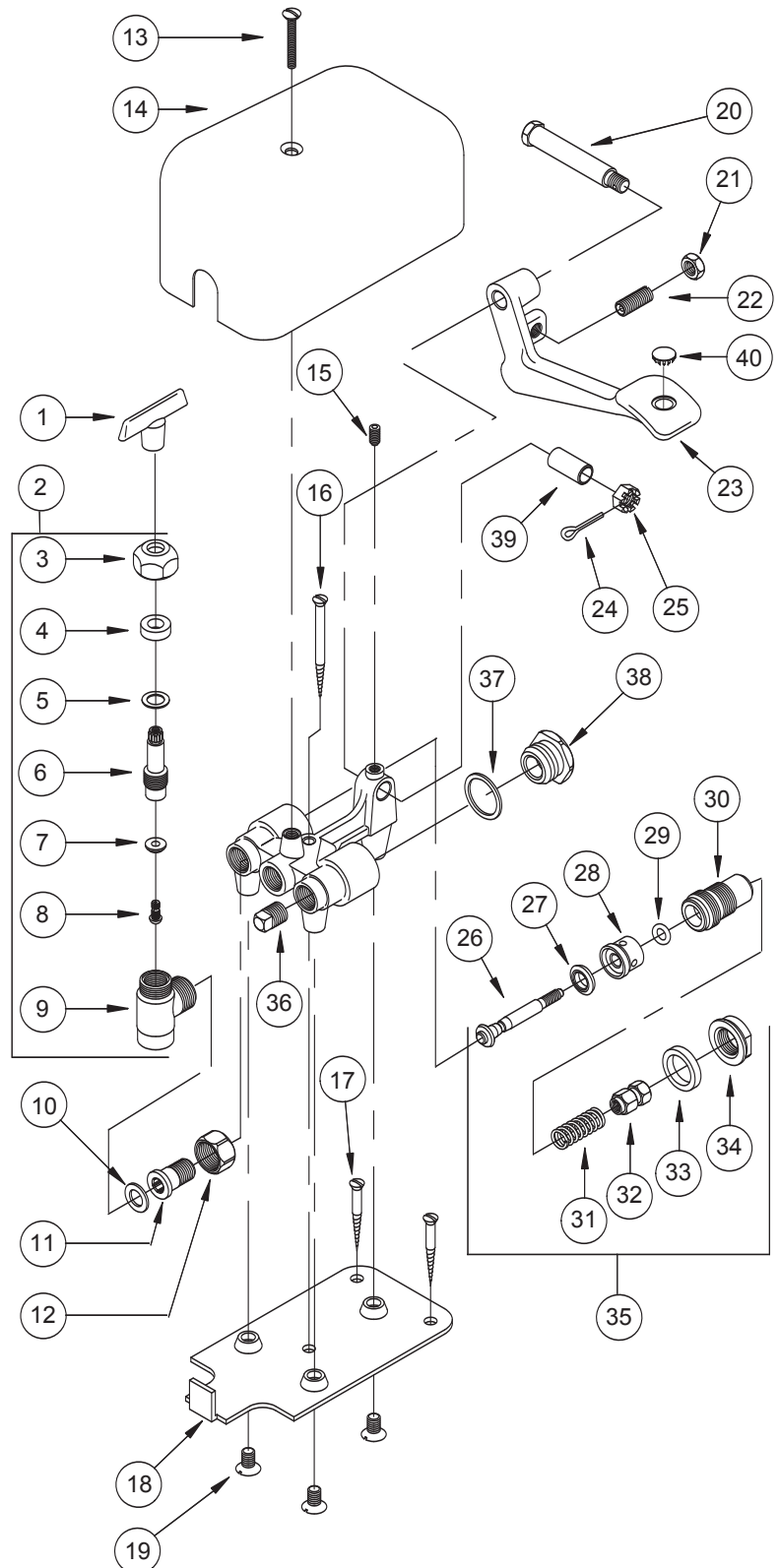
**Ordering Code:**

**P3503**



#	Description	Part #*
1	Key	303604
2	Stop	355775
3	Nut	303433
4	Packing	303467
5	Washer	301915
6	Stem	303432
7	Washer	301044
8	Screw	301046
9	Body	303429
10	Gasket	303466
11	Tailpiece	303463
12	Union Nut	300125
13	Screw	303465
14	Cover	309665
15	Screw	303504
16	Wood Screw (1-1/2" Long)	303533
17	Wood Screw (3" Long)	303534
18	Base Plate	303464
19	Mounting Screw	303514
20	Pedal Pin	5506250
21	Locknut	303485
22	Screw	303483
23	Pedal	303556
24	Cotter Pin	303493
25	Nut	303436
26	Stem	303439
27	Seat Ring	039026-BP10
28	Sleeve	300577
29	O-Ring	039027-BP10
30	Centrepiece	303442
31	Spring	303453
32	Nut	303440
33	O-Ring	039035-BP10
34	Locknut	300109
35	Cartridge	039091-BP2
36	Plug	303548
37	Gasket	302343
38	Plug	303546
39	Spacer	303545
40	Button, Blue	039298-BP5

\*BPx denotes the bulk pack quantity



# P3504 Pedal Valve, Double, Floor Mount



**P3504 Specification:** Commercial grade cast brass floor mount pedal valve. Assembly includes two colour indexed foot pedals, self-closing cartridges, rigid floor bracket, adjustable pedal height, and volume control with loose key. Cover plate includes a resilient polished chrome plated finish.

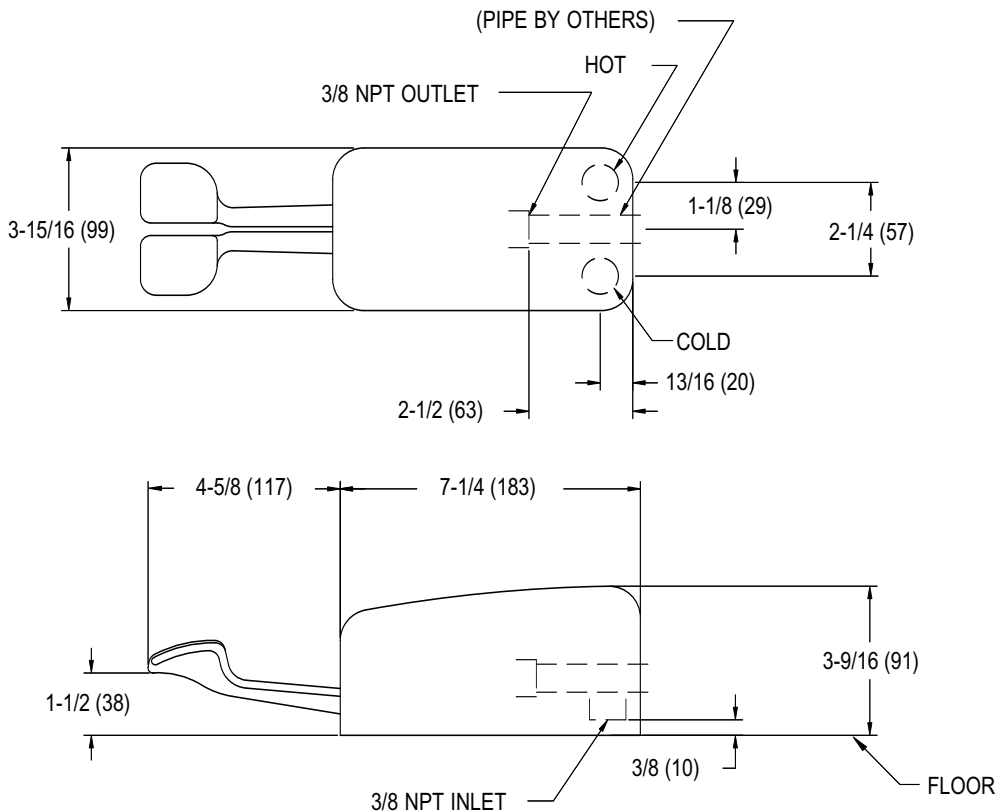


**P3504 Model Shown**

**Maximum Operating Pressure Rating** ..... 125 PSI (860 KPa)

**Maximum Operating Temperature Rating** ..... 65 C (150 F)

**Shipping Weight** ..... 10.0 Lbs (4.5 Kg)



*Dimensions shown in inches (mm) are for reference only and are subject to change.*

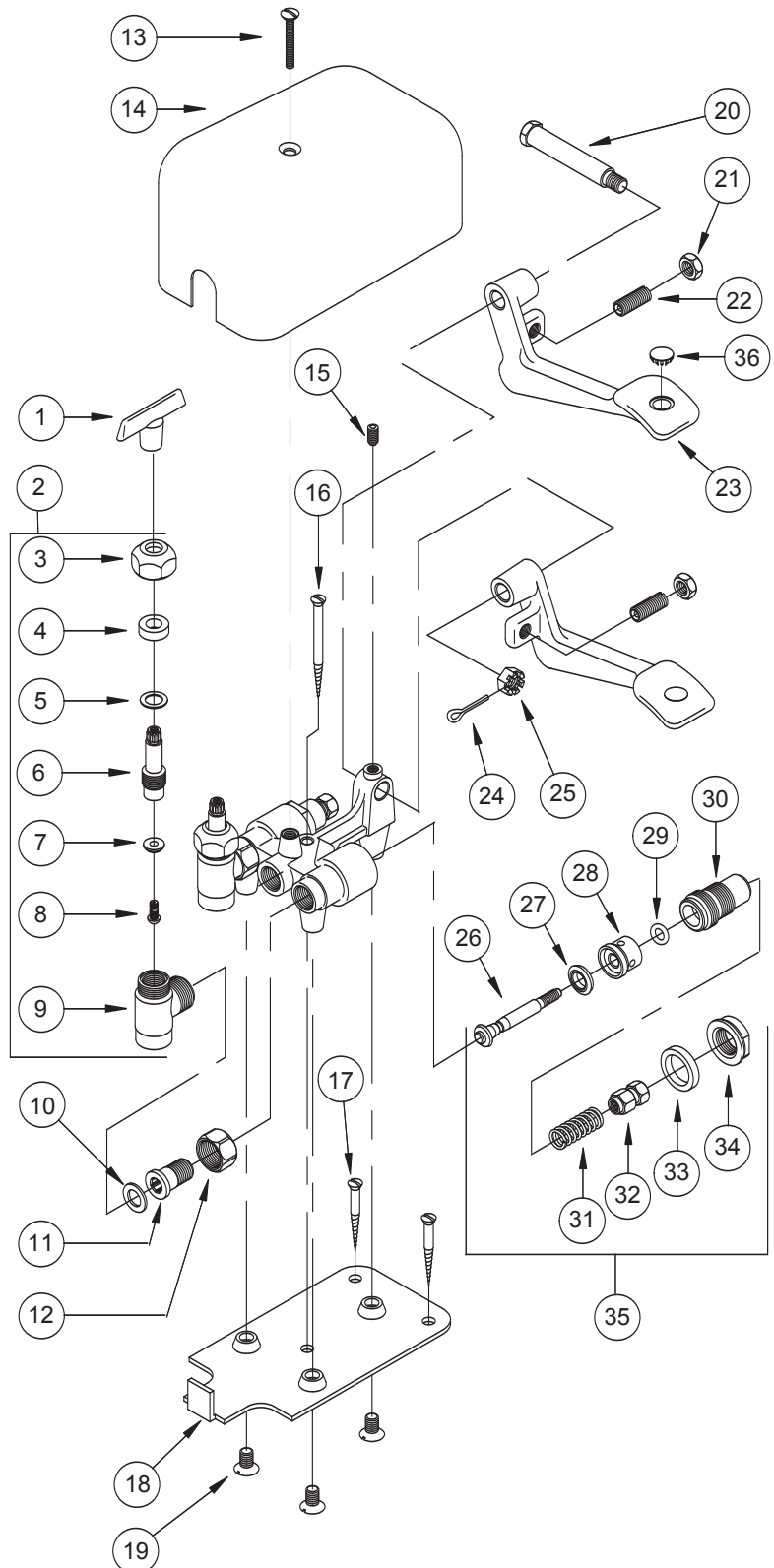


**Ordering Code:**

**P3504**

#	Description	Part #*
1	Key	303604
2	Stop	355775
3	Nut	303433
4	Packing	303467
5	Washer	301915
6	Stem	303432
7	Washer	301044
8	Screw	301046
9	Body	303429
10	Gasket	303466
11	Tailpiece	303463
12	Union Nut	300125
13	Screw	303465
14	Cover	309665
15	Screw	303504
16	Wood Screw (1-1/2" Long)	303533
17	Wood Screw (3" Long)	303534
18	Base Plate	303464
19	Mounting Screw	303514
20	Pedal Pin	5506250
21	Locknut	303485
22	Screw	303483
23	Pedal, Cold	303556
	Pedal, Hot	303555
24	Cotter Pin	303493
25	Nut	303436
26	Stem	303439
27	Seat Ring	039026-BP10
28	Sleeve	300577
29	O-Ring	039027-BP10
30	Centrepiece	303442
31	Spring	303453
32	Nut	303440
33	O-Ring	039035-BP10
34	Locknut	300109
35	Cartridge	039091-BP2
36	Button, Blue	039298-BP5
	Button, Red	039297-BP5

\*BPx denotes the bulk pack quantity



# P3601 Knee Action Mixing Valve



**P3601 Specification:** Commercial grade knee-action mixing valve featuring a cast brass body, renewable operating cartridges, and fitted knee stirrup handle. Assembly includes cast brass cover and 3/8" IPS female inlet and outlet union connections. All exposed surfaces have a resilient polished chrome plated finish.

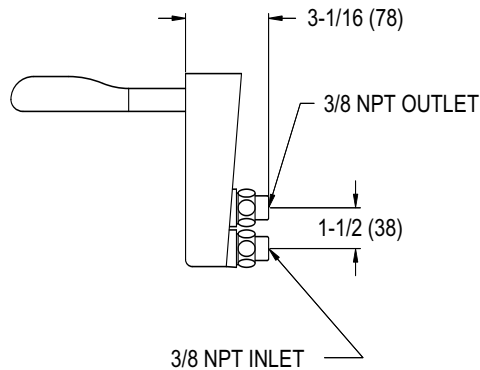
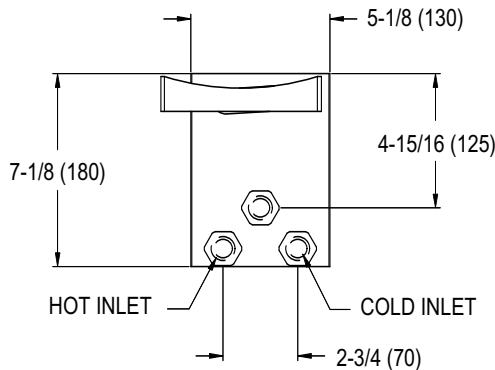
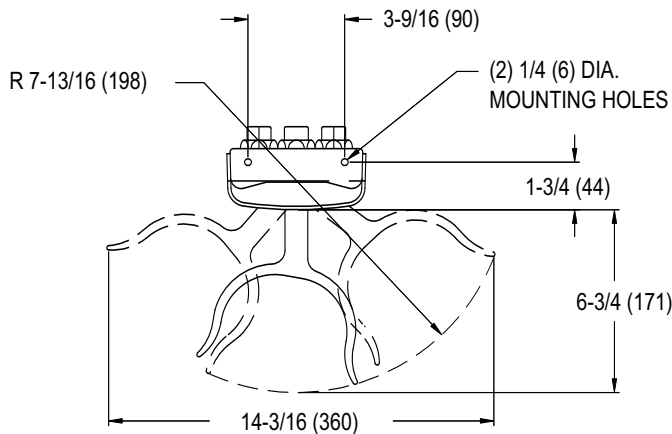
**Maximum Operating Pressure Rating** ..... 125 PSI (860 KPa)

**Maximum Operating Temperature Rating** ..... 65 C (150 F)

**Shipping Weight** ..... 7.0 Lbs (3.2 Kg)



**P3601 Model Shown**



*Dimensions shown in inches (mm) are for reference only and are subject to change.*

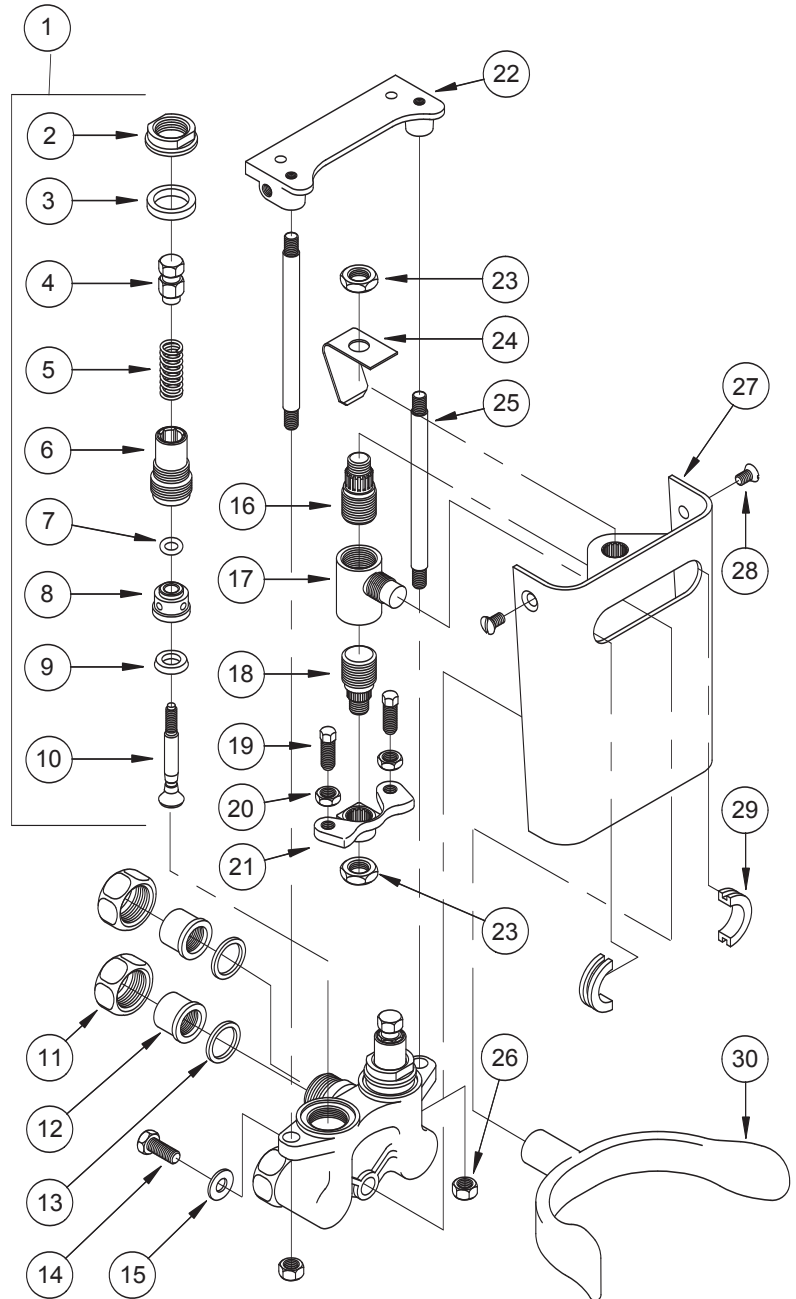


**Ordering Code:**

**P3601**

#	Description	Part #*
1	Cartridge, Cold	039338-BP2
	Cartridge, Hot	039091-BP2
2	Locknut	300109
3	O-Ring	039035-BP10
4	Nut, Cold	303649
	Nut, Hot	303440
5	Spring	303453
6	Centrepiece	303442
7	O-Ring	039027-BP10
8	Sleeve	300577
9	Seat Ring, Cold	039039-BP10
	Seat Ring, Hot	039026-BP10
10	Stem, Cold	303648
	Stem, Hot	303439
11	Union Nut	303522
12	Tailpiece	303524
13	Gasket	303418
14	Screw	303704
15	Washer	303699
16	Top Screw, RH	303670
17	Sleeve	303665
18	Bottom Screw, LH	303671
19	Screw	8150978
20	Locknut	303487
21	Yoke	303663
22	Mounting Plate	303667
23	Locknut	303673
24	Spring	303697
25	Rod	303686
26	Nut	303488
27	Cover	309666P
28	Screw	303688
29	Bumper	303691
30	Stirrup Handle	303654

\*BPx denotes the bulk pack quantity



# P3602 Knee Action Mixing Valve W/Bracket



**P3602 Specification:** Commercial grade knee-action mixing valve featuring a cast brass body, renewable operating cartridges, and fitted knee stirrup handle. Assembly includes cast brass cover, 3/8" IPS female inlet and outlet union connections, and a white enamel finished wall bracket. All exposed surfaces have a resilient polished chrome plated finish.

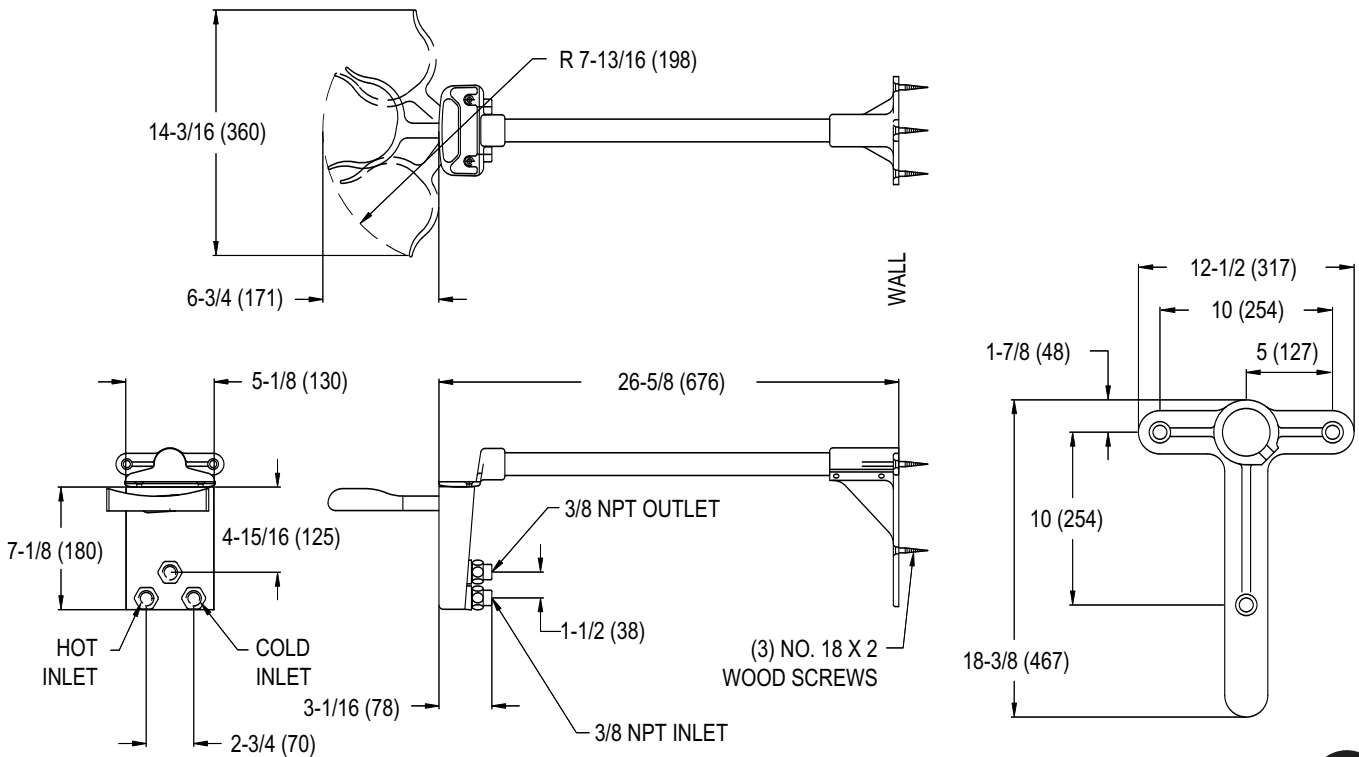
**Maximum Operating Pressure Rating** ..... 125 PSI (860 KPa)

**Maximum Operating Temperature Rating** ..... 65 C (150 F)

**Shipping Weight** ..... 18.0 Lbs (8.2 Kg)



**P3602 Model Shown**



Dimensions shown in inches (mm) are for reference only and are subject to change.

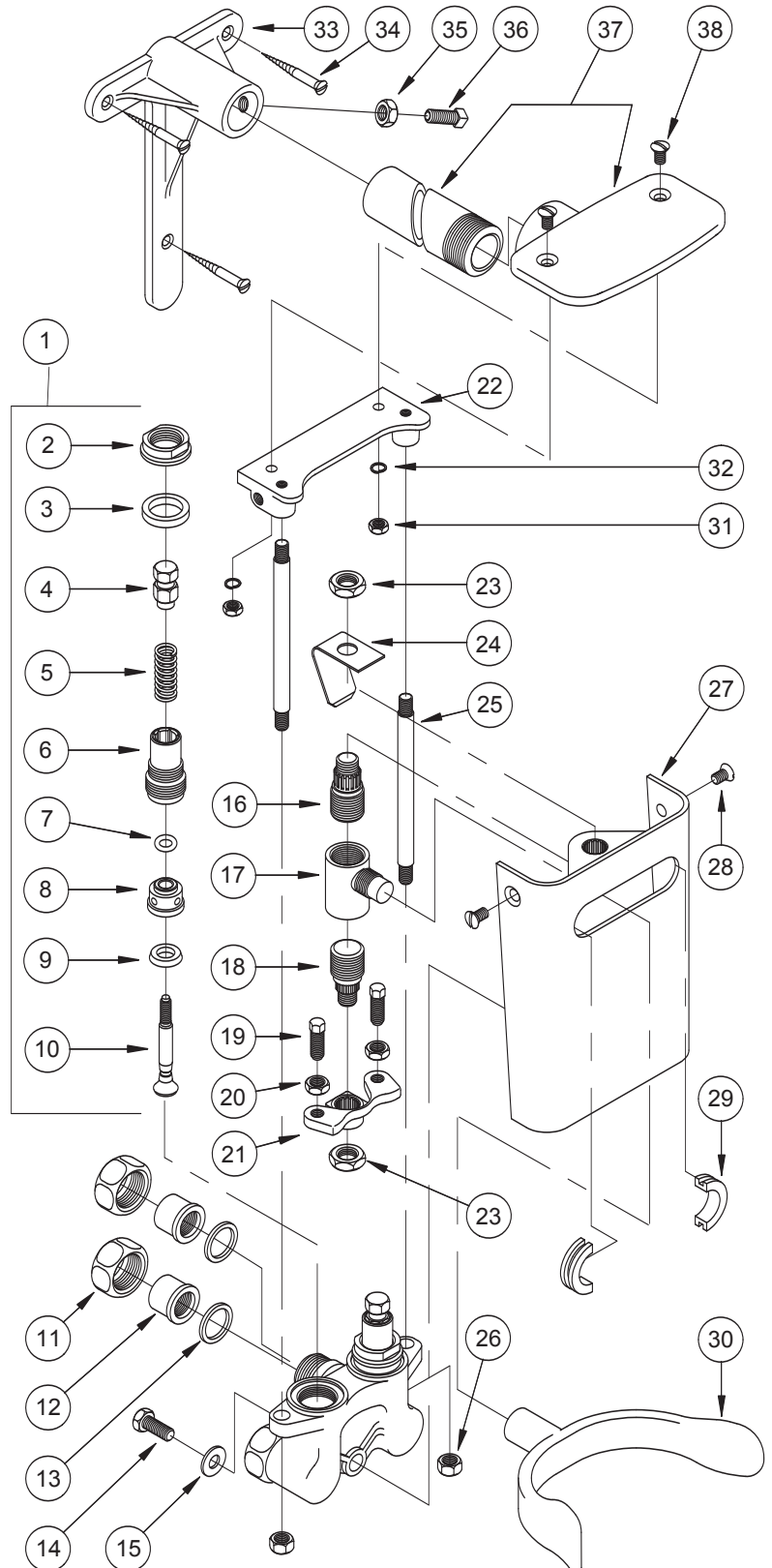
**Ordering Code:**

**P3602**



#	Description	Part #*
1	Cartridge, Cold	039338-BP2
	Cartridge, Hot	039091-BP2
2	Locknut	300109
3	O-Ring	039035-BP10
4	Nut, Cold	303649
	Nut, Hot	303440
5	Spring	303453
6	Centrepiece	303442
7	O-Ring	039027-BP10
8	Sleeve	300577
9	Seat Ring, Cold	039039-BP10
	Seat Ring, Hot	039026-BP10
10	Stem, Cold	303648
	Stem, Hot	303439
11	Union Nut	303522
12	Tailpiece	303524
13	Gasket	303418
14	Screw	303704
15	Washer	303699
16	Top Screw, RH	303670
17	Sleeve	303665
18	Bottom Screw, LH	303671
19	Screw	8150978
20	Locknut	303487
21	Yoke	303663
22	Mounting Plate	303667
23	Locknut	303673
24	Spring	303697
25	Rod	303686
26	Nut	303488
27	Cover	309666P
28	Screw	303688
29	Bumper	303691
30	Stirrup Handle	303654
31	Nut	303486
32	Lock Washer	303762
33	Bracket Assy,	355817
34	Screw	303780
35	Nut	303752
36	Set Screw	303751
37	Support & Rod	355818
38	Mounting Screw	303763

\*BPx denotes the bulk pack quantity



# P3701 Gooseneck Spout, Wall Mount



**P3701 Specification:** Commercial grade wall mount gooseneck spout includes a resilient polished chrome plated finish, 2.0 GPM (7.6 L/min) aerator and 1/2" NPT female inlet. For rigid mount applications. For use with Powers knee action or pedal valve supply fittings.

**Maximum Flow Rate** ... 2.0 GPM at 60 PSI (7.6 L/Min at 420 KPa)

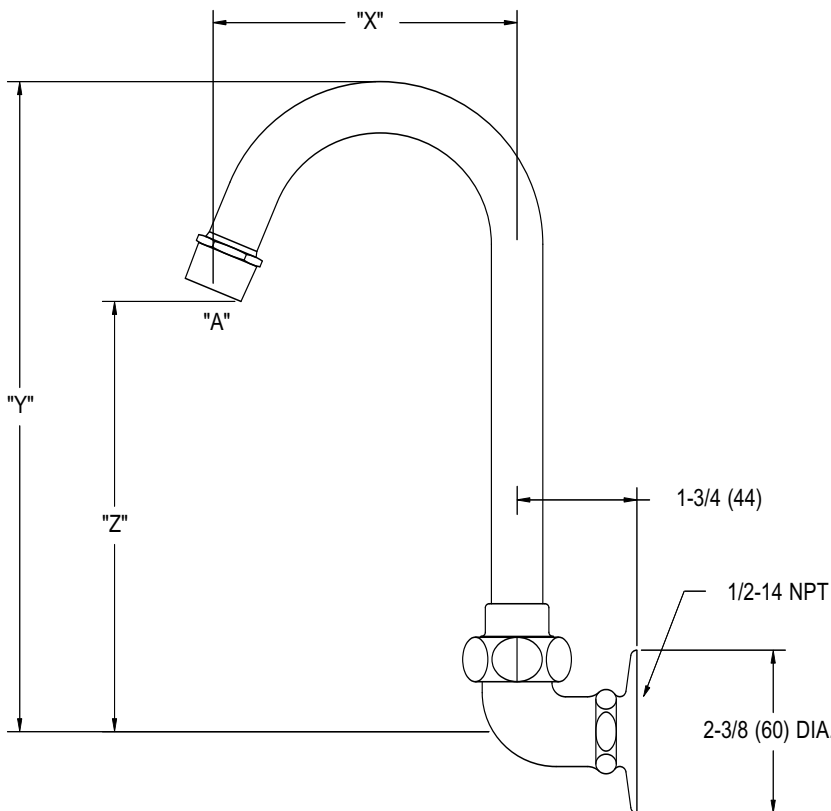
**Maximum Operating Pressure Rating** ..... 125 PSI (860 KPa)

**Maximum Operating Temperature Rating** ..... 65 C (150 F)

**Shipping Weight** ..... 1.0 Lbs (0.5 Kg)



**P3701 Model Shown**



**Gooseneck Spout Dimensions**

Spout	"X"	"Y"	"Z"	"A"
Std	4-7/16 (113)	8-15/16 (228)	5-3/4 (146)	22 Degree
G1	3-1/2 (89)	9 (229)	6 (152)	15 Degree
G2	5-5/16 (135)	13-1/2 (343)	9 (229)	10 Degree
G3	8 (203)	18-3/4 (478)	13-1/2 (343)	0 Degree



Dimensions shown in inches (mm) are for reference only and are subject to change.

**Ordering Code:**

**P3701 - -**

**Outlet Options**

- Aerator (0.5 GPM, 1.9 L/min) **A5**
- Laminar Flow Outlet (2.0 GPM, 7.6 L/min) **LF**
- Spray Face (2.0 GPM, 7.6 L/min) **SF**
- Vandal Resistant Aerator (0.5 GPM, 1.9 L/min) **V5**
- Vandal Resistant Aerator (2.0 GPM, 7.6 L/min) **VA**
- Vandal Resistant Laminar Flow (2.0 GPM, 7.6 L/min) **VF**

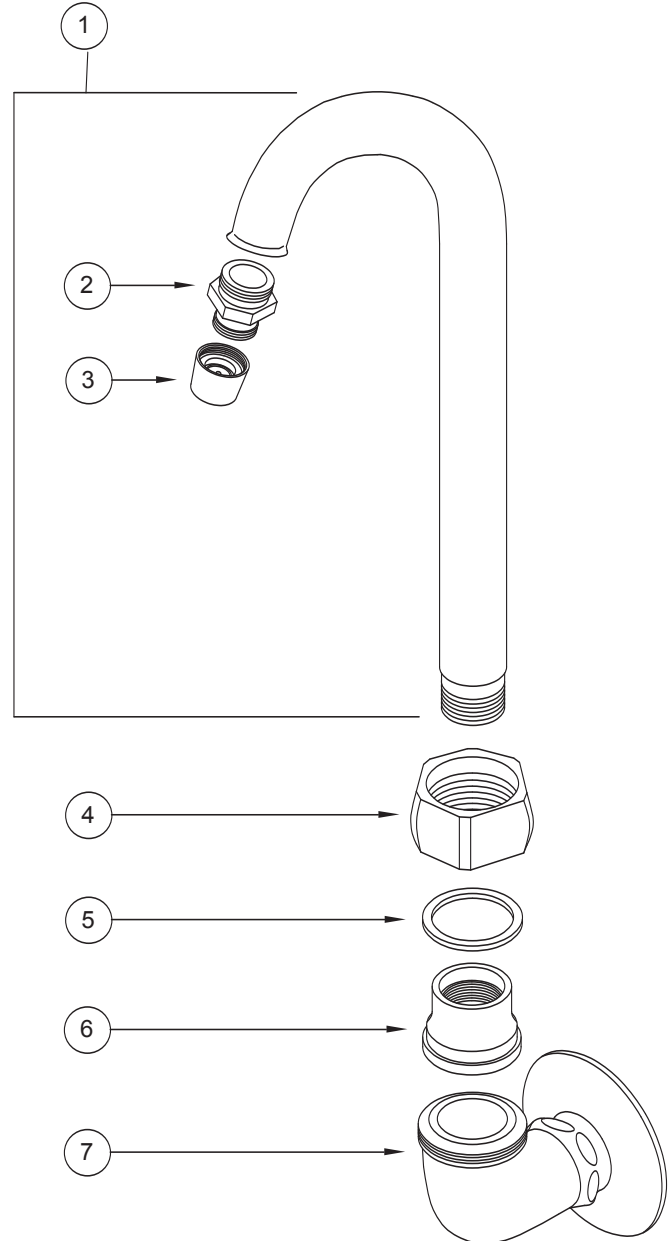
**Additional Options**

- G1** Gooseneck Spout 3-1/2" (89 mm)
- G2** Gooseneck Spout 5-1/4" (133 mm)
- G3** Gooseneck Spout 8" (203 mm)



#	Description	Part #*
1	Gooseneck Spout Assy.	361010
2	Adapter	303706
3	Aerator	300994
4	Union Ring	302344
5	Gasket	302343
6	Tailpiece	302342
7	Flanged Union Elbow	302345

\*BPx denotes the bulk pack quantity



# P3702 Gooseneck Spout, Deck Mount



**P3702 Specification:** Commercial grade deck mount gooseneck spout includes a resilient polished chrome plated finish, 2.0 GPM (7.6 L/min) aerator, and 1/2" IPS male inlet connection. Assembly allows for both rigid and swing applications. For use with Powers knee action or pedal valve supply fittings.

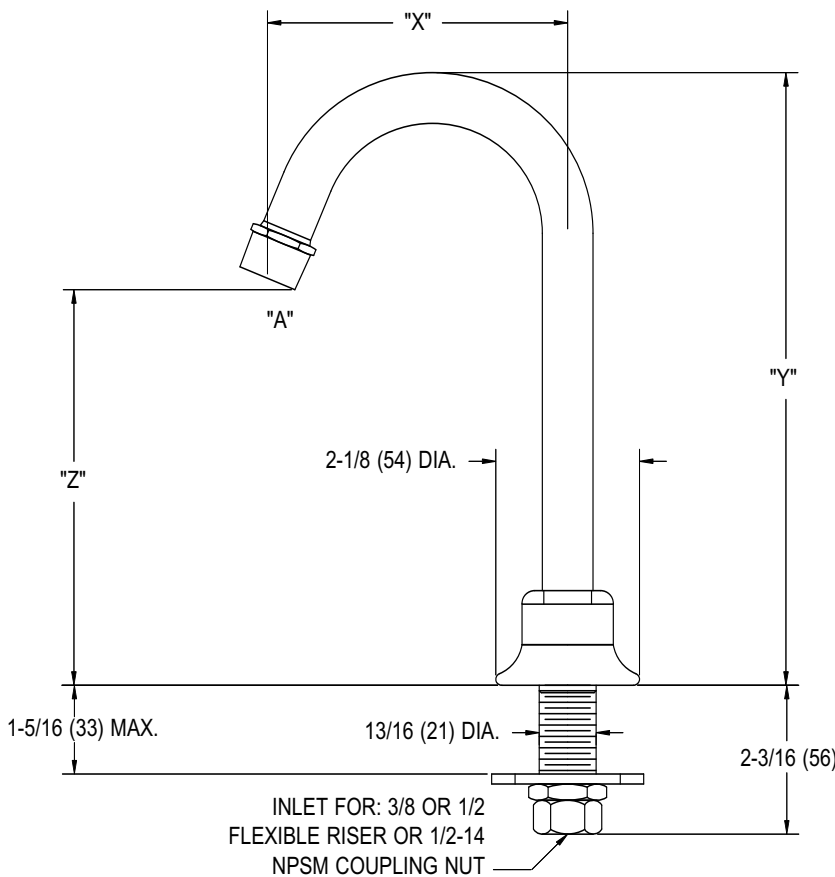
**Maximum Operating Pressure Rating** ..... 125 PSI (860 KPa)

**Maximum Operating Temperature Rating** ..... 65 C (150 F)

**Shipping Weight** ..... 1.7 Lbs (0.8 Kg)



**P3702 Model Shown**



**Gooseneck Spout Dimensions**

Spout	"X"	"Y"	"Z"	"A"
Std	4-7/16 (113)	8-15/16 (228)	5-3/4 (146)	22 Degree
G1	3-1/2 (89)	9 (229)	6 (152)	15 Degree
G2	5-5/16 (135)	13-1/2 (343)	9 (229)	10 Degree
G3	8 (203)	18-3/4 (478)	13-1/2 (343)	0 Degree



Dimensions shown in inches (mm) are for reference only and are subject to change.

**Ordering Code:**

**P3702 - -**

**Outlet Options**

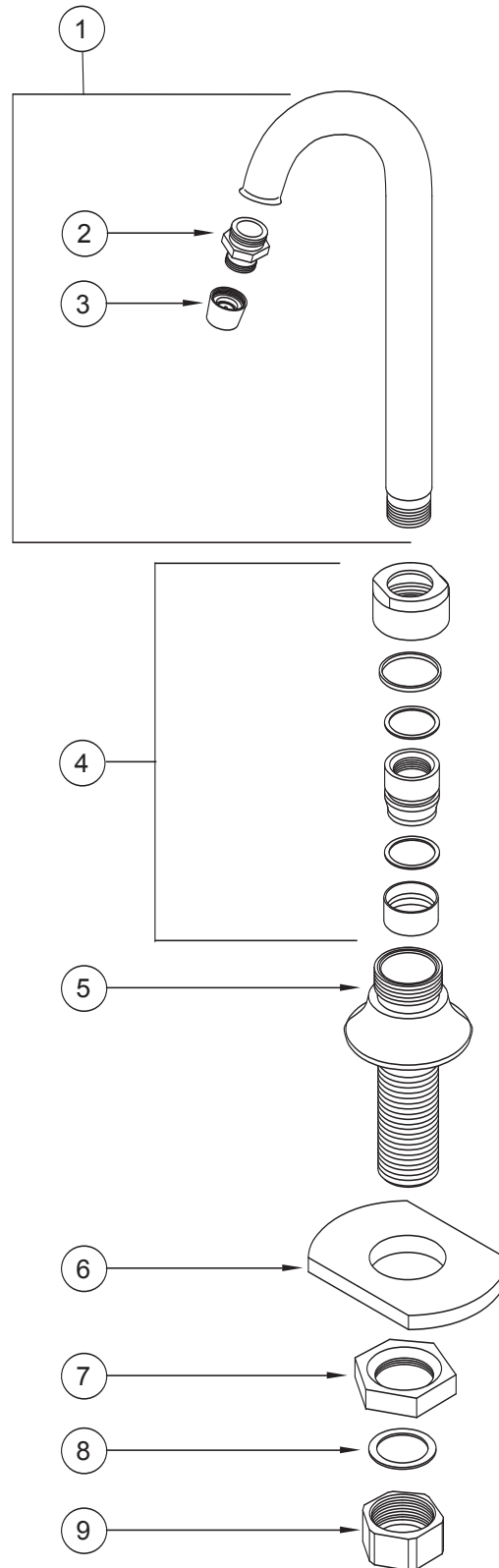
- Aerator (0.5 GPM, 1.9 L/min) **A5**
- Laminar Flow Outlet (2.0 GPM, 7.6 L/min) **LF**
- Spray Face (2.0 GPM, 7.6 L/min) **SF**
- Vandal Resistant Aerator (0.5 GPM, 1.9 L/min) **V5**
- Vandal Resistant Aerator (2.0 GPM, 7.6 L/min) **VA**
- Vandal Resistant Laminar Flow (2.0 GPM, 7.6 L/min) **VF**

**Additional Options**

- G1** Gooseneck Spout 3-1/2" (89 mm)
- G2** Gooseneck Spout 5-1/4" (133 mm)
- G3** Gooseneck Spout 8" (203 mm)

#	Description	Part #*
1	Gooseneck Spout Assy.	361010
2	Adapter	303706
3	Aerator	300994
4	Rigid/Swing Assy.	039346
5	Base	305788
6	Washer	300697
7	Locknut	300585
8	Friction Ring	300126
9	Union Nut	300125

\*BPx denotes the bulk pack quantity



# P3703 Low Spout, Deck Mount



**P3703 Specification:** Commercial grade cast brass low profile deck mount spout includes a resilient polished chrome plated finish, 2.0 GPM (7.6 L/min) aerator, and 1/2" IPS male inlet shank. For use with Powers knee action or pedal valve supply fittings.

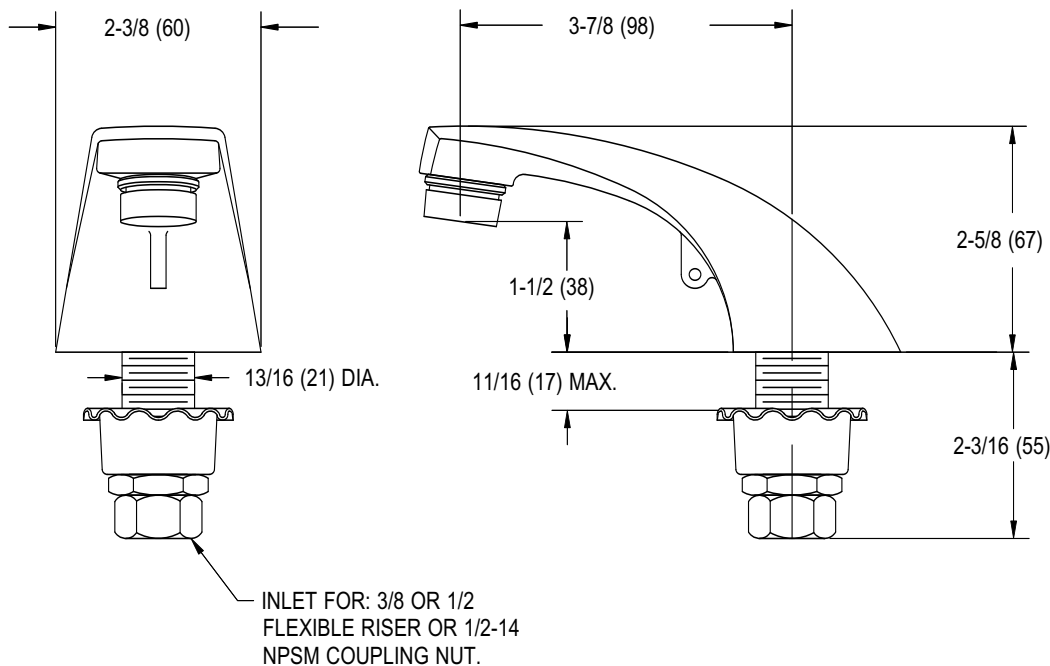


**P3703 Model Shown**

**Maximum Operating Pressure Rating** ..... 125 PSI (860 KPa)

**Maximum Operating Temperature Rating** ..... 65 C (150 F)

**Shipping Weight** ..... 2.0 Lbs (0.9 Kg)



*Dimensions shown in inches (mm) are for reference only and are subject to change.*

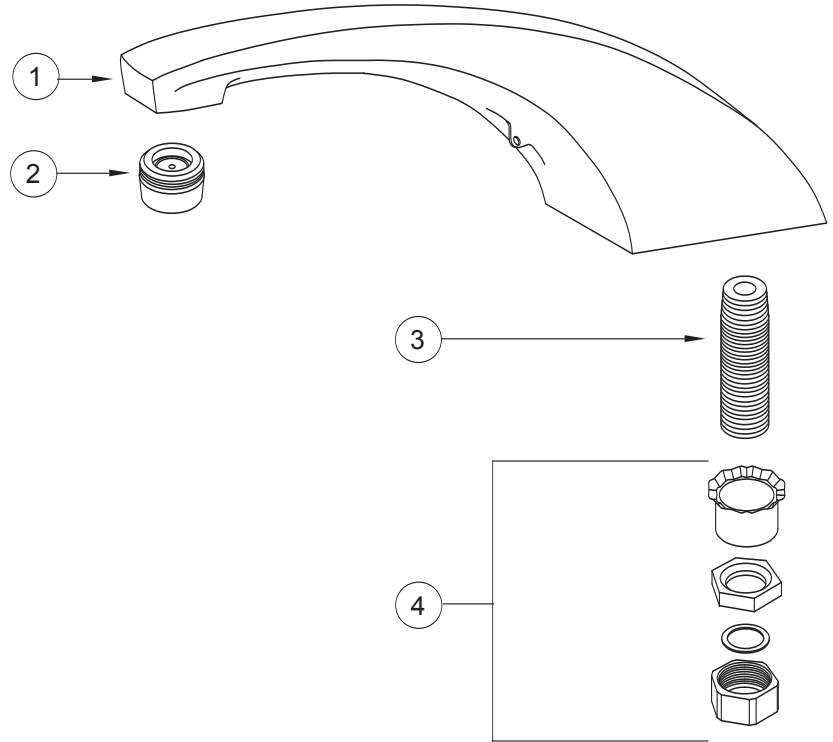
**Ordering Code:**

**P3703 -**

**Outlet Options**

- Aerator (0.5 GPM, 1.9 L/min) **A5**
- Laminar Flow Outlet (2.0 GPM, 7.6 L/min) **LF**
- Spray Face (2.0 GPM, 7.6 L/min) **SF**
- Vandal Resistant Aerator (0.5 GPM, 1.9 L/min) **V5**
- Vandal Resistant Aerator (2.0 GPM, 7.6 L/min) **VA**
- Vandal Resistant Laminar Flow (2.0 GPM, 7.6 L/min) **VF**

#	Description	Part #
1	Spout	307160P
2	Aerator	300911
3	Shank	307161
4	Hardware Kit	039551



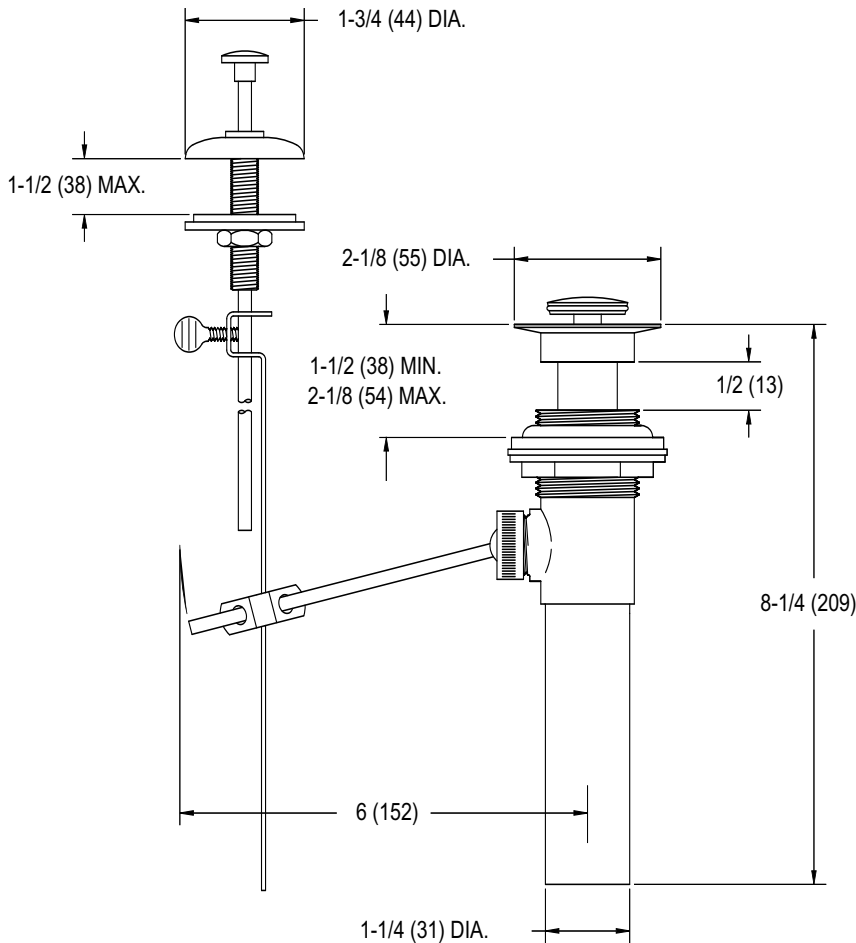
# P3901 Waste Assembly, Pop-Up



**P3901 Specification:** Commercial grade pop-up waste assembly with deck flange and cast brass upper body. Complete assembly has a resilient polished chrome plated finish, removable waste plug, 1-1/4" (32 mm) tailpiece, and overflow holes.

**Minimum Flow Rate** ..... 7.0 GPM (27 L/Min)

**Shipping Weight** ..... 2.3 Lbs (1.0 Kg)



**P3901 Model Shown**

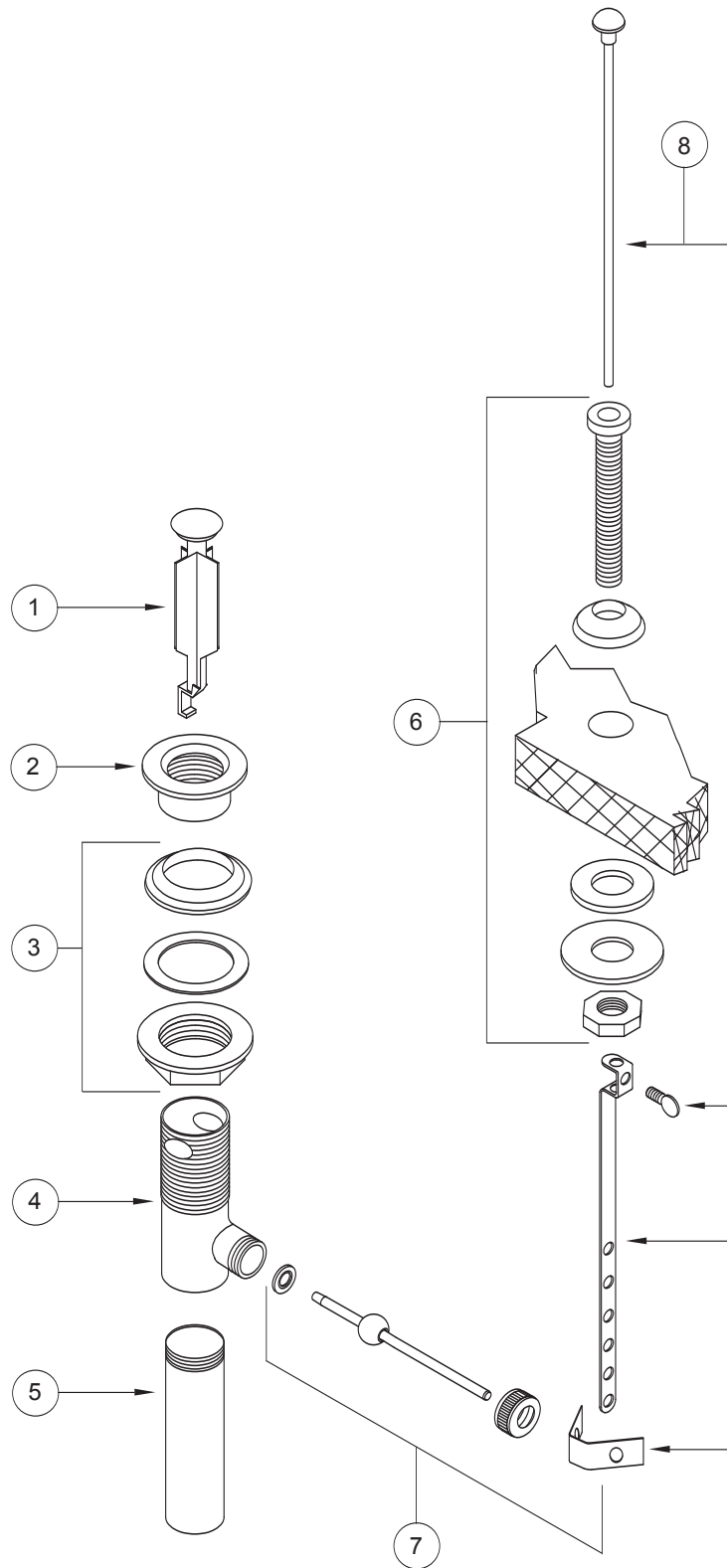
*Dimensions shown in inches (mm) are for reference only and are subject to change.*



**Ordering Code:**

**P3901**

#	Description	Part #
1	Stopper w/ Guide	039332
2	Collar	311181
3	Locknut and Gasket	039333
4	Body	311178
5	Tailpiece	311179
6	Deck Flange Kit	039336
7	Fulcrum Rod Kit	039334
8	Lift Rod Assy.	039335



# P3902 Waste Assembly, Grid Drain



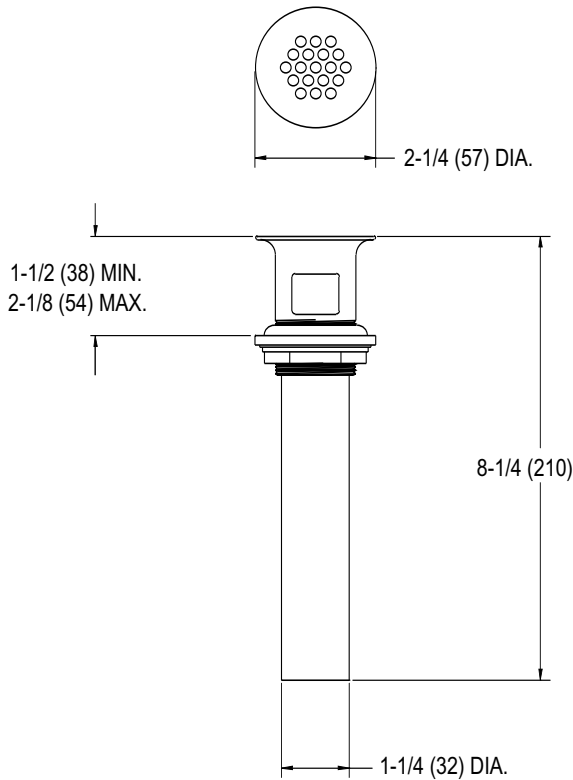
**P3902 Specification:** Commercial grade grid drain waste assembly with cast brass upper body. Complete assembly has a resilient polished chrome plated finish, 1-1/4" (32 mm) tailpiece, and overflow holes.

**Minimum Flow Rate** ..... 7.0 GPM (27 L/Min)

**Shipping Weight** ..... 1.1 Lbs (0.5 Kg)



**P3902 Model Shown**



*Dimensions shown in inches (mm) are for reference only and are subject to change.*

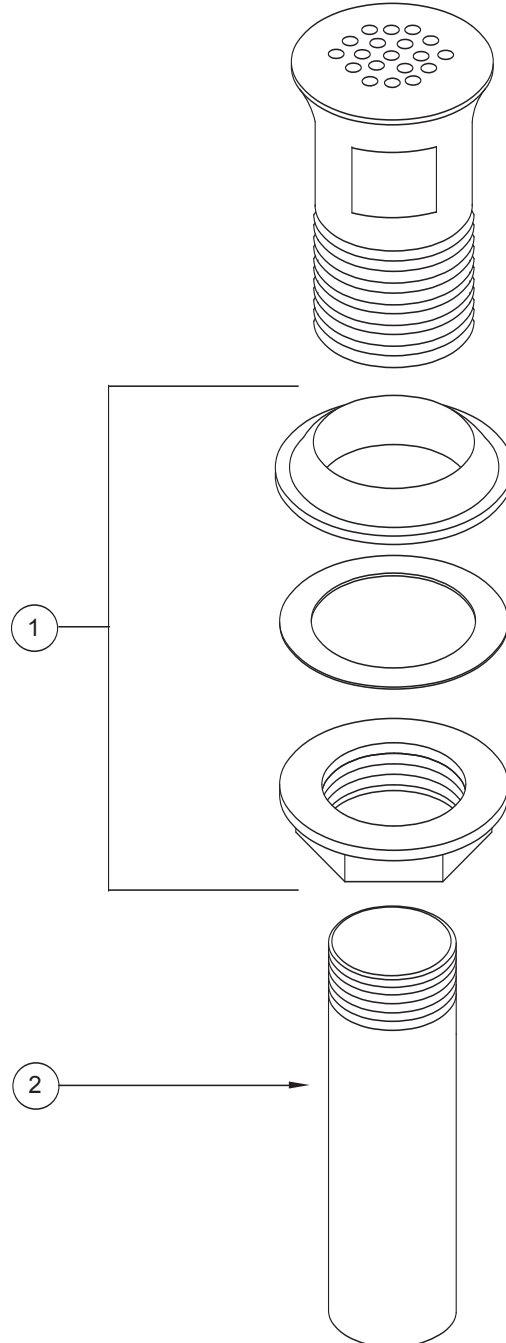


**Ordering Code:**

**P3902**



#	Description	Part #
1	Locknut and Gasket	039345
2	Tailpiece	302648



# P3903 Waste Assembly, Chain and Plug



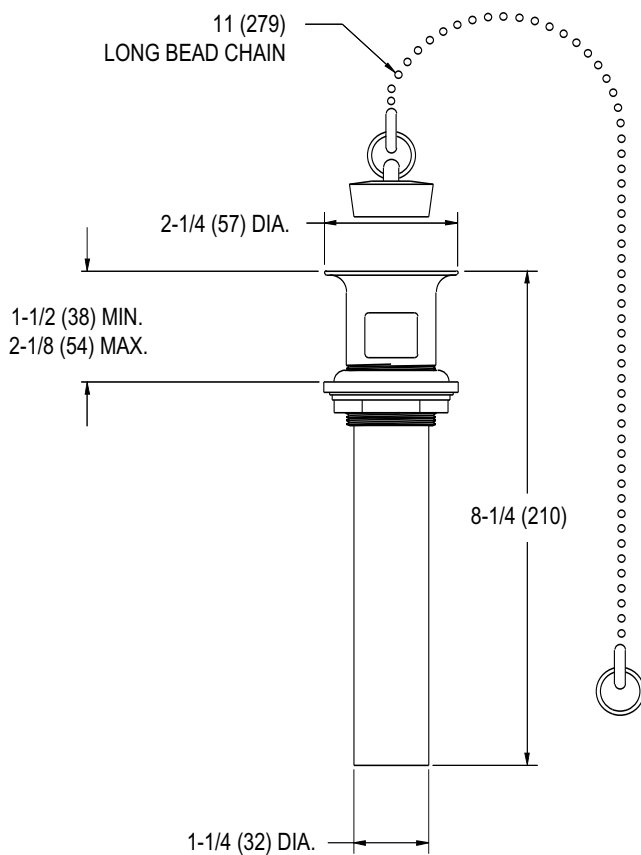
**P3903 Specification:** Commercial grade waste assembly with cast brass upper body. Complete assembly has a resilient polished chrome plated finish, chain with rubber plug, overflow holes and 1-1/4" (32 mm) tailpiece.

**Minimum Flow Rate** ..... 7.0 GPM (27 L/Min)

**Shipping Weight** ..... 1.2 Lbs (0.5 Kg)



**P3903 Model Shown**



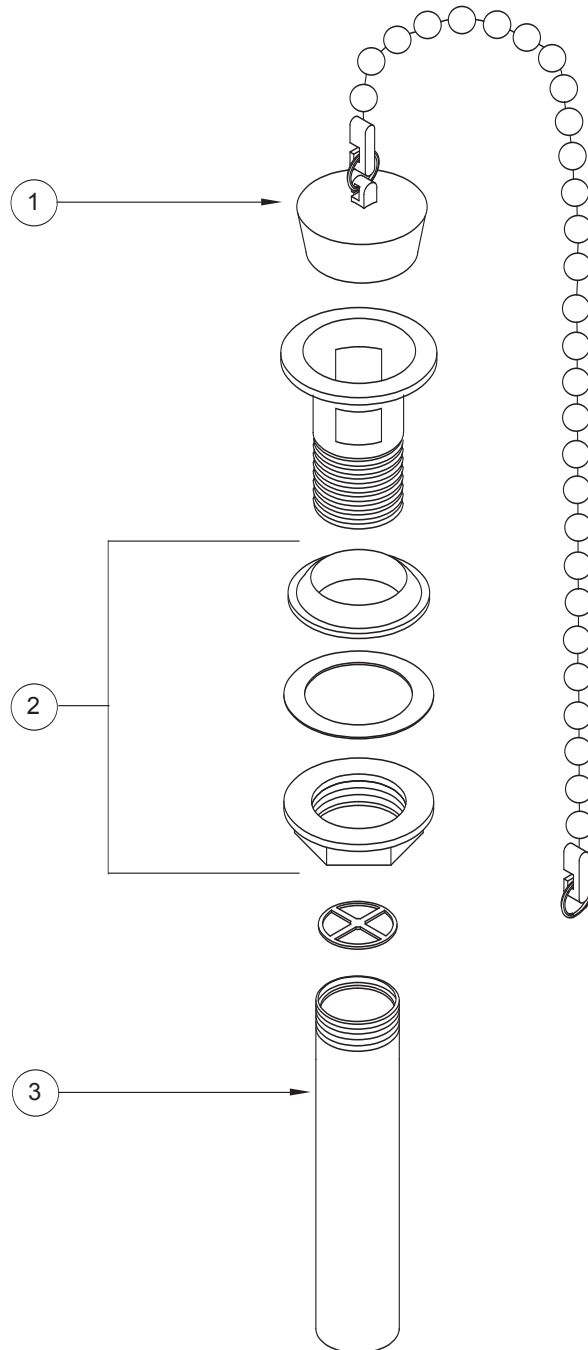
*Dimensions shown in inches (mm) are for reference only and are subject to change.*



**Ordering Code:**

**P3903**

#	Description	Part #
1	Chain and Plug	355275
2	Locknut and Gasket	039345
3	Tailpiece	302648



**P3904**  
**Waste Assy, GD Less Overflow**



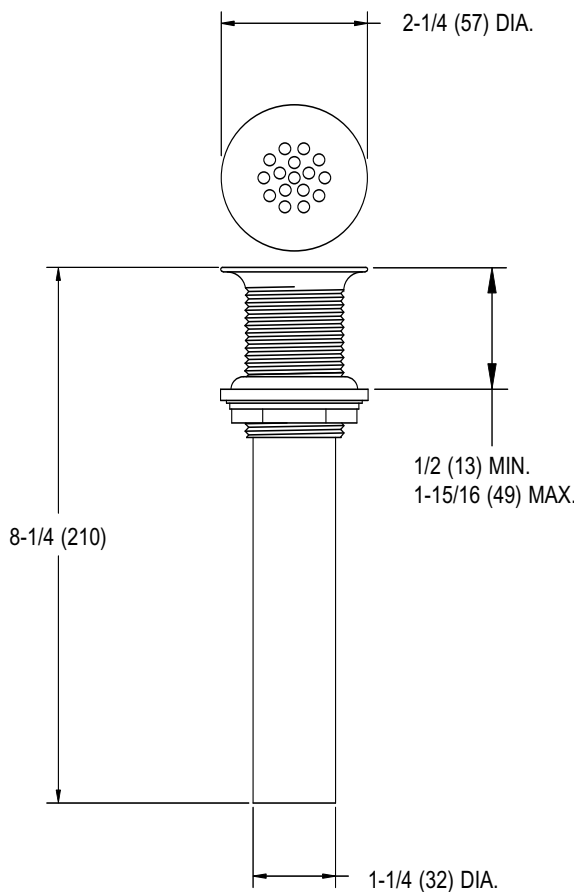
**P3904 Specification:** Commercial grade grid drain waste assembly with cast brass upper body. Complete assembly has a resilient polished chrome plated finish, 1-1/4" (32 mm) tailpiece, and less overflow holes.

**Minimum Flow Rate** ..... 7.0 GPM (27 L/Min)

**Shipping Weight** ..... 0.9 Lbs (0.4 Kg)



**P3904 Model Shown**

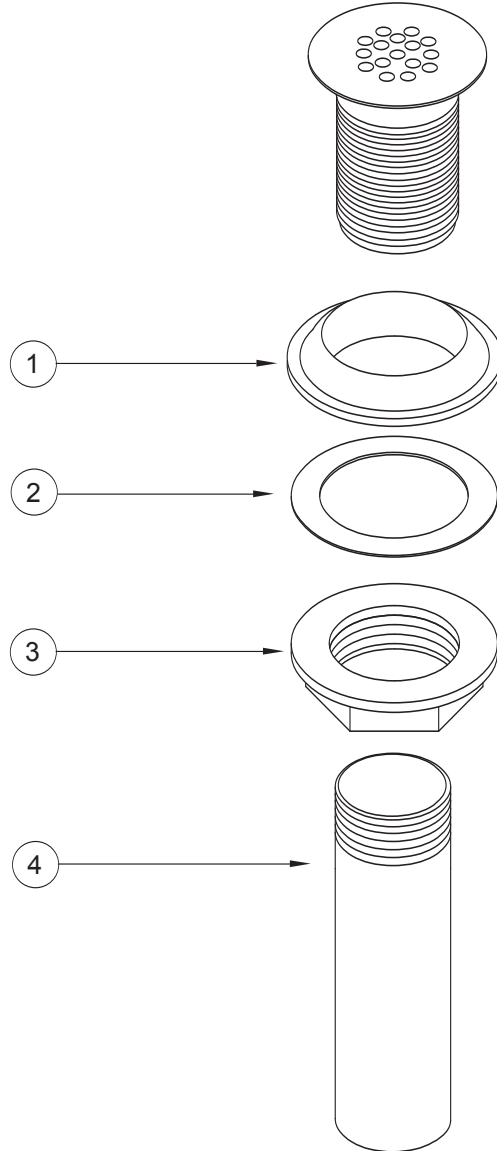


*Dimensions shown in inches (mm) are for reference only and are subject to change.*



**Ordering Code:** **P3904**

#	Description	Part #
1	Gasket	302246
2	Washer	302248
3	Locknut	302244
4	Tailpiece	303939



**P3905**  
**Waste Assy, GD Less Overflow**



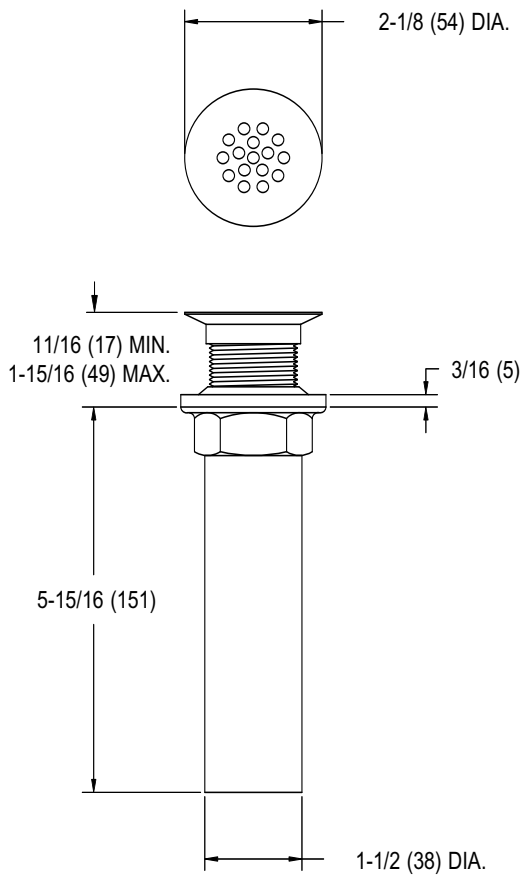
**P3905 Specification:** Commercial grade grid drain waste assembly with cast brass upper body. Complete assembly has a resilient polished chrome plated finish, 1-1/2" (38 mm) tailpiece, and less overflow holes.

**Minimum Flow Rate** ..... 9.4 GPM (36 L/Min)

**Shipping Weight** ..... 1.05 Lbs (0.5 Kg)



**P3905 Model Shown**



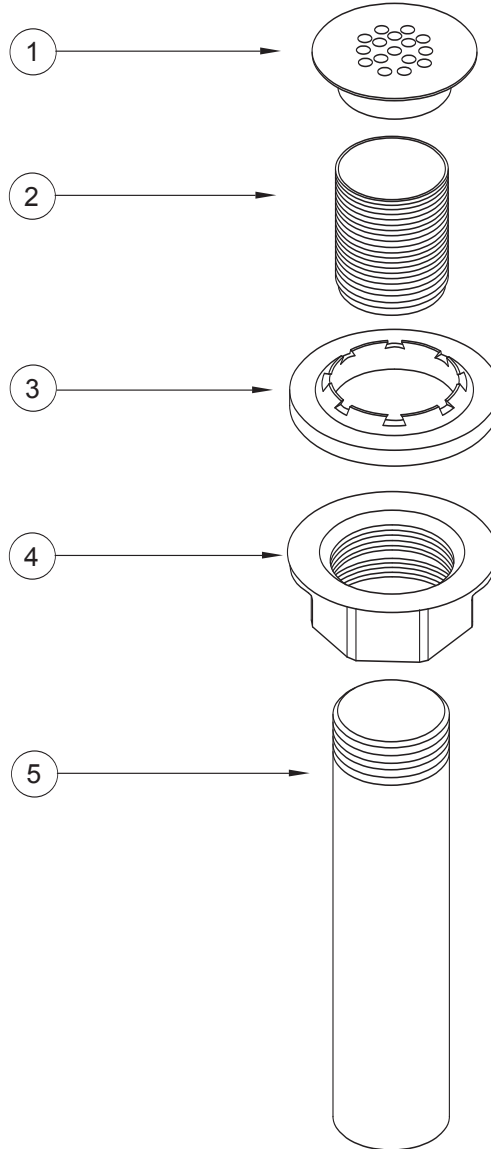
*Dimensions shown in inches (mm) are for reference only and are subject to change.*



**Ordering Code:**

**P3905**

#	Description	Part #
1	Collar	303937
2	Tubing	303938
3	Gasket	302246
4	Locknut	301502
5	Tailpiece	303936



# P3906 Waste Assembly, Offset Grid Drain



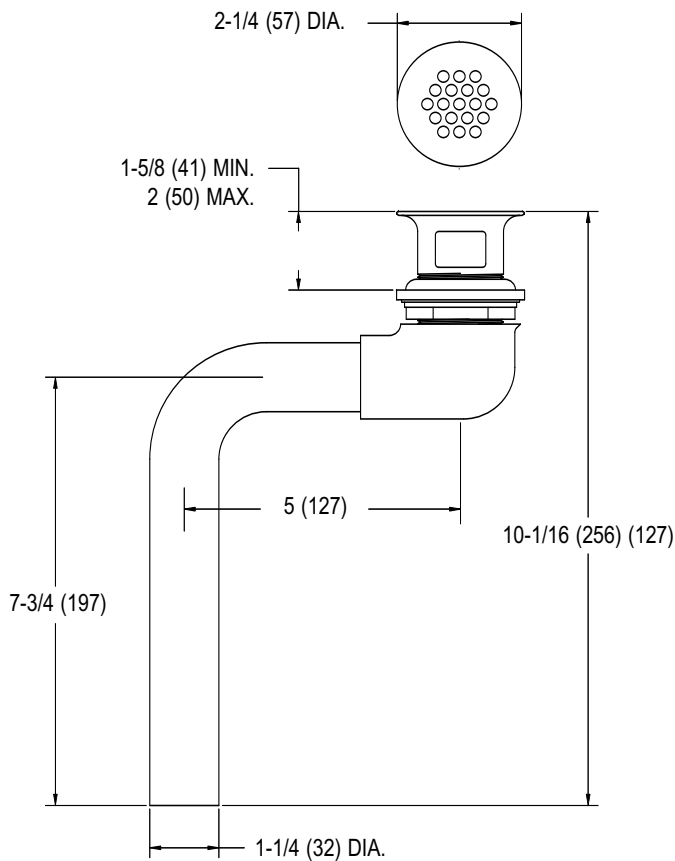
**P3906 Specification:** Commercial grade offset grid drain waste assembly with cast brass upper body. Complete assembly has a resilient polished chrome plated finish, 1-1/4" (32 mm) offset tailpiece, and overflow holes.

**Minimum Flow Rate** ..... 7.0 GPM (27 L/Min)

**Shipping Weight** ..... 2.3 Lbs (1.0 Kg)



**P3906 Model Shown**



*Dimensions shown in inches (mm) are for reference only and are subject to change.*

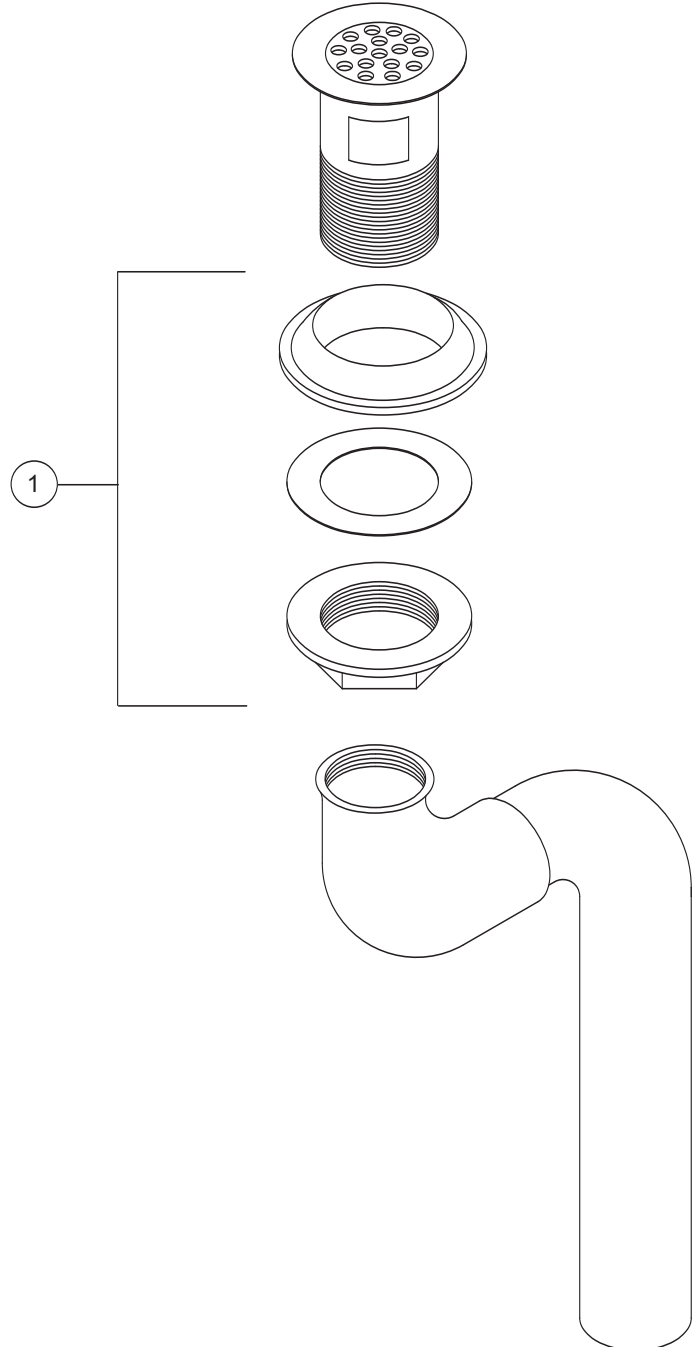


**Ordering Code:**

**P3906**



#	Description	Part #
1	Locknut and Gasket	039345



# P3907 Waste Assy, OG Less Overflow



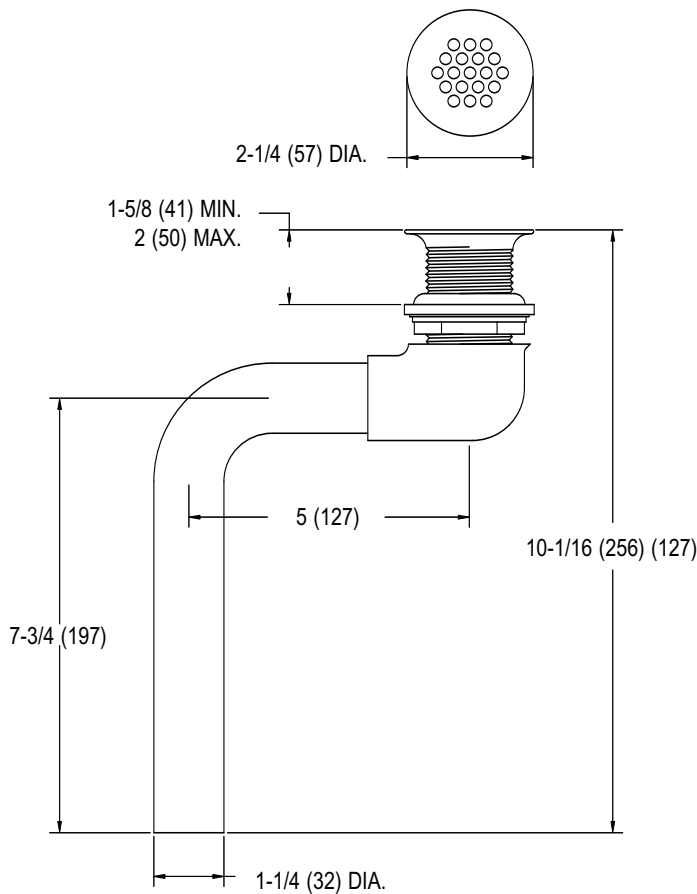
**P3907 Specification:** Commercial grade offset grid drain waste assembly with cast brass upper body. Complete assembly has a resilient polished chrome plated finish, 1-1/4" (32 mm) offset tailpiece, and less overflow holes.

**Minimum Flow Rate** ..... 7.0 GPM (27 L/Min)

**Shipping Weight** ..... 2.3 Lbs (1.0 Kg)



**P3907 Model Shown**



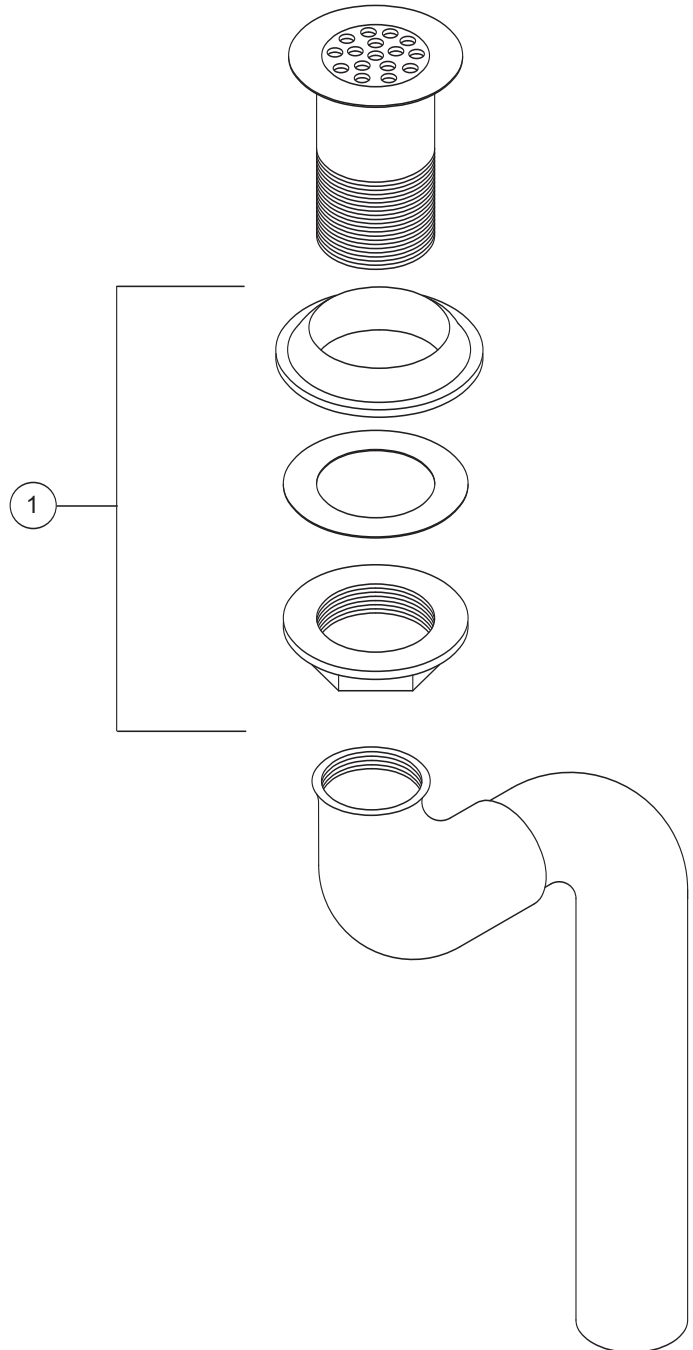
*Dimensions shown in inches (mm) are for reference only and are subject to change.*

**Ordering Code:**

**P3907**



#	Description	Part #*
1	Locknut and Gasket	039345



# P3908 Waste Assy, Offset Chain and Plug



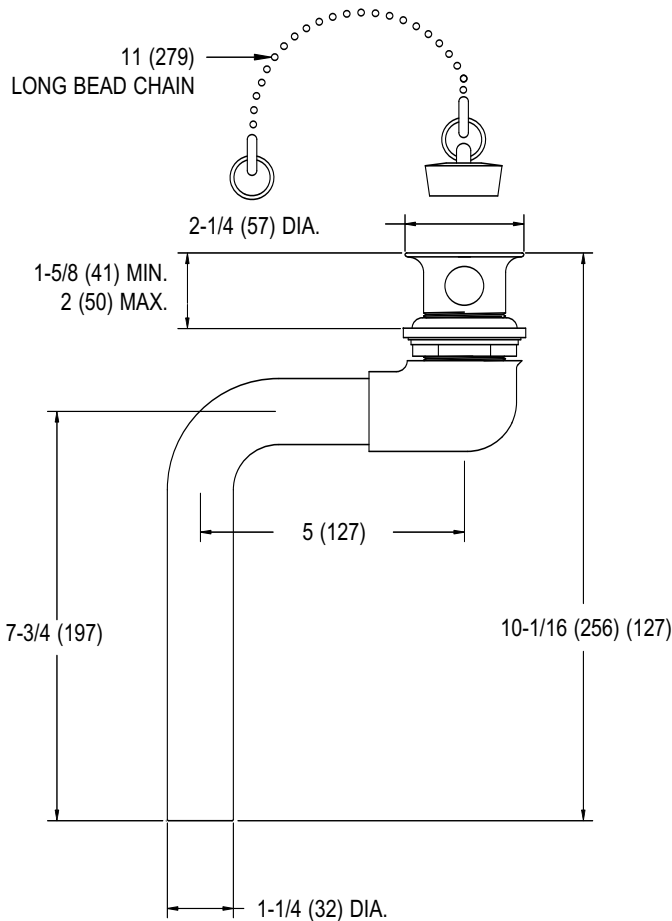
**P3908 Specification:** Commercial grade offset waste assembly with cast brass upper body. Complete assembly has a resilient polished chrome plated finish, chain, rubber plug, 1-1/4" (32 mm) offset tailpiece, and overflow holes.

**Minimum Flow Rate** ..... 7.0 GPM (27 L/Min)

**Shipping Weight** ..... 2.3 Lbs (1.0 Kg)



**P3908 Model Shown**



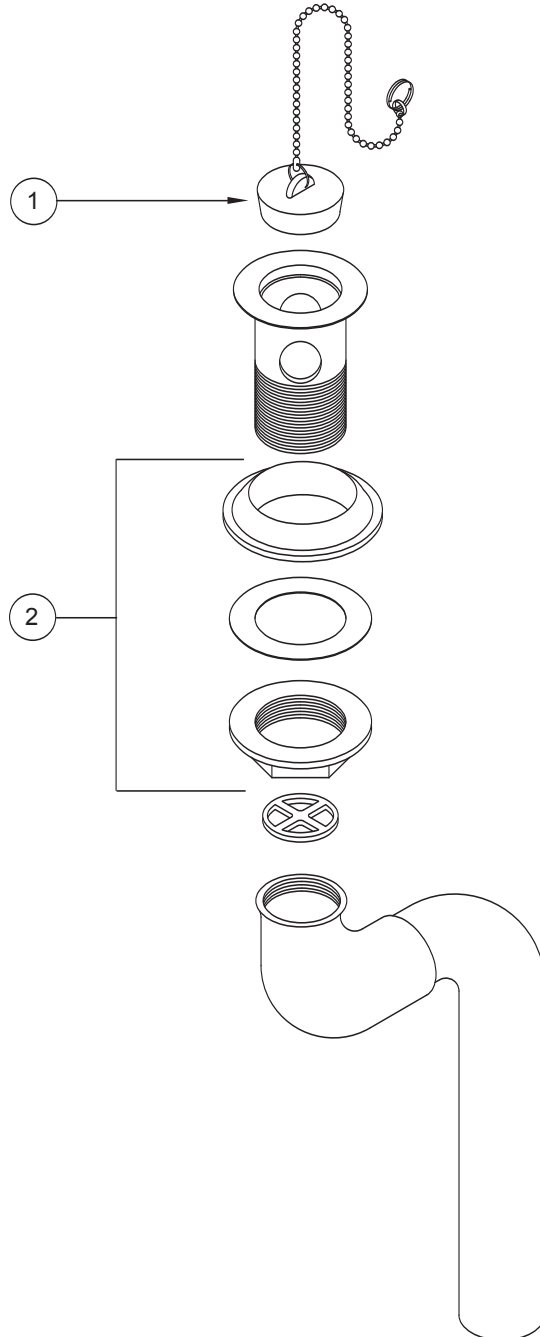
*Dimensions shown in inches (mm) are for reference only and are subject to change.*

**Ordering Code:**

**P3908**



#	Description	Part #
1	Chain and Plug	355275
2	Locknut and Gasket	039345



# P3909 Waste, Offset Chain & Plug L/ Holes



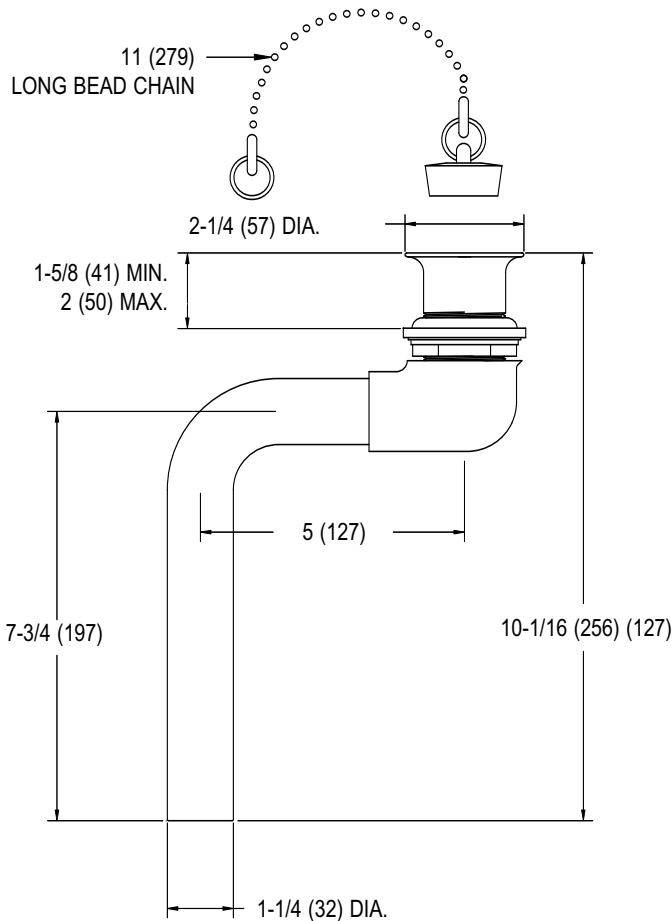
**P3909 Specification:** Commercial grade offset waste assembly with cast brass upper body. Complete assembly has a resilient polished chrome plated finish, chain and plug, 1-1/4" (32 mm) offset tailpiece, and less overflow holes.

**Minimum Flow Rate** ..... 7.0 GPM (27 L/Min)

**Shipping Weight** ..... 2.3 Lbs (1.0 Kg)



**P3909 Model Shown**



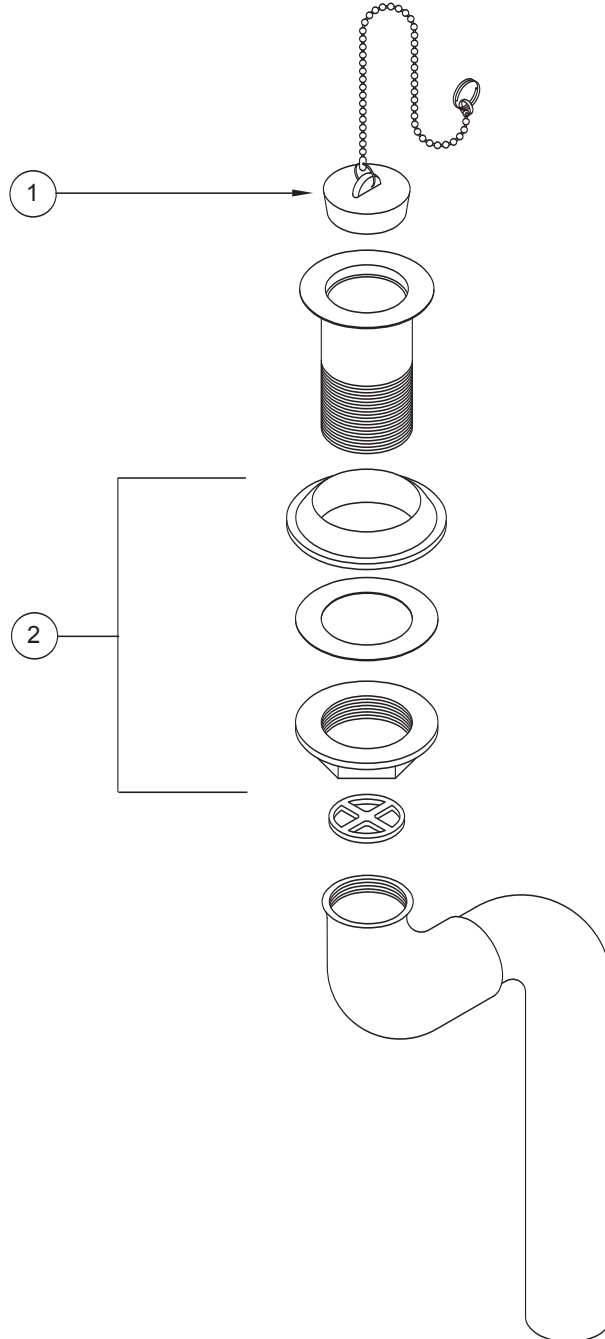
*Dimensions shown in inches (mm) are for reference only and are subject to change.*

**Ordering Code:**

**P3909**



#	Description	Part #
1	Chain and Plug	355275
2	Locknut and Gasket	039345



# P4001 P-Trap, Adjustable 1-1/4"



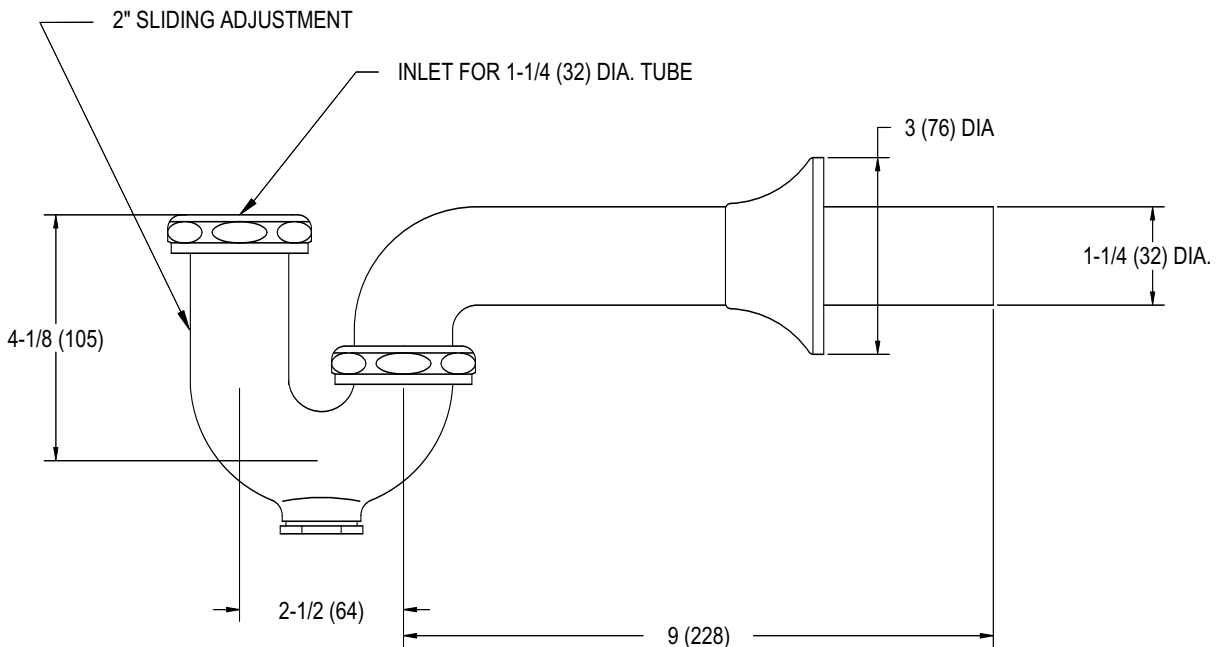
**P4001 Specification:** Commercial grade cast brass 1-1/4" (32 mm) adjustable p-trap includes a resilient polished chrome plated finish, deep wall flange and cleanout.



**Minimum Flow Rate** ..... 7.0 GPM (27 L/Min)

**Shipping Weight** ..... 2.1 Lbs (0.9 Kg)

**P4001 Model Shown**



*Dimensions shown in inches (mm) are for reference only and are subject to change.*

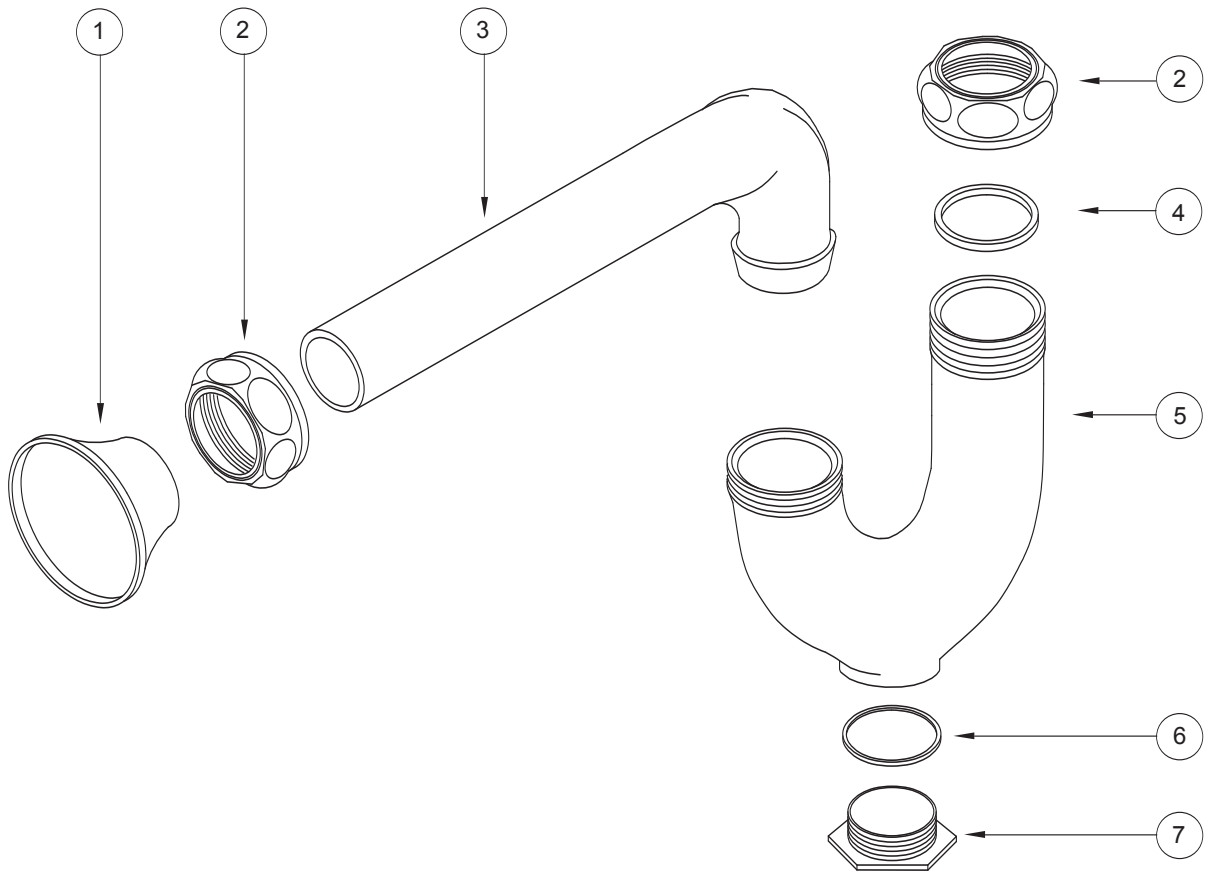


**Ordering Code:**

**P4001**



#	Description	Part #
1	Flange	301019
2	Coupling Nut	300317
3	Tube	311149
4	Washer	301016
5	Body	311152
6	Gasket	311150
7	Plug	311151



# P4002 P-Trap, Adjustable 1-1/4" W/ Waste



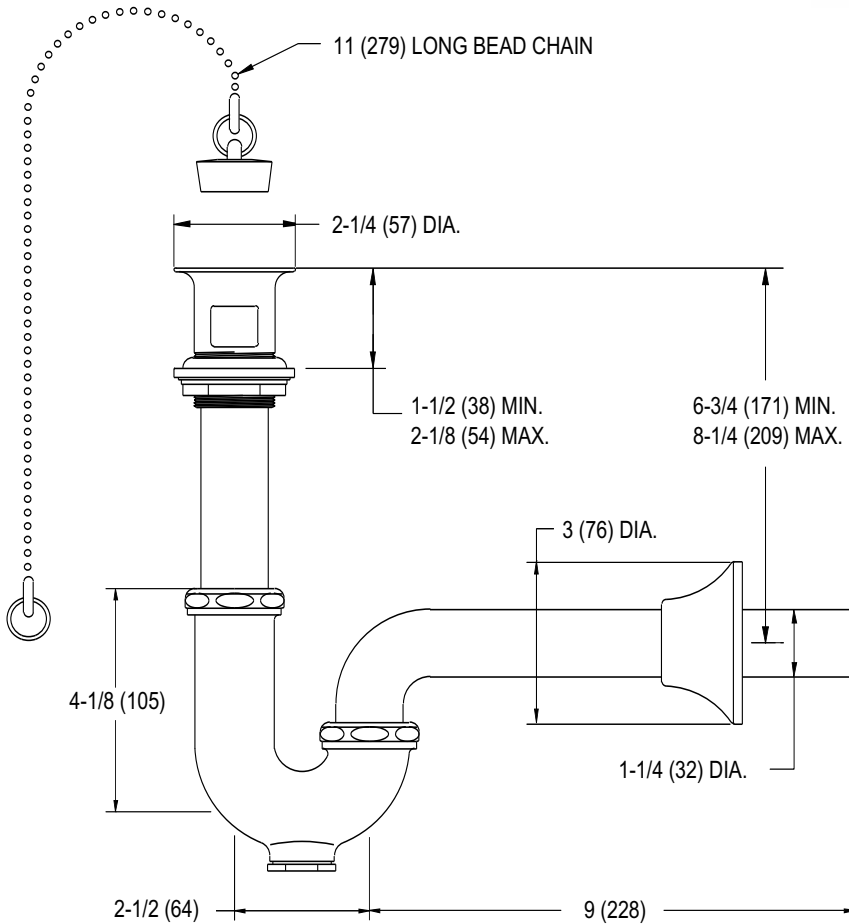
**P4002 Specification:** Commercial grade cast brass 1-1/4" (32 mm) adjustable p-trap waste assembly includes a resilient polished chrome plated finish, deep wall flange, cleanout and plug & chain waste with overflow holes.

**Minimum Flow Rate** ..... 7.0 GPM (27 L/Min)

**Shipping Weight** ..... 3.3 Lbs (1.5 Kg)



**P4002 Model Shown**



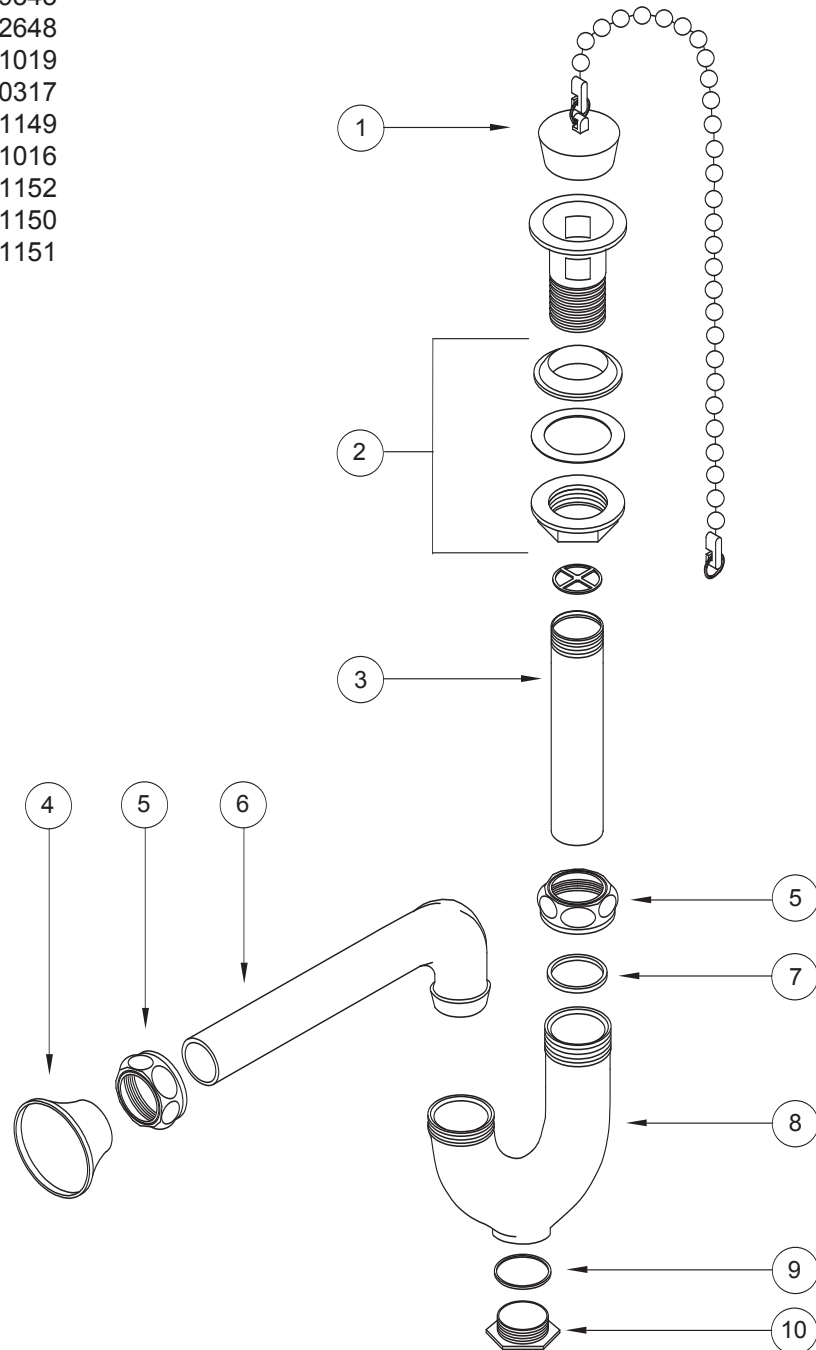
*Dimensions shown in inches (mm) are for reference only and are subject to change.*



**Ordering Code:**

**P4002**

#	Description	Part #
1	Chain and Plug	355275
2	Locknut and Gasket	039345
3	Tailpiece	302648
4	Flange	301019
5	Coupling Nut	300317
6	Tube	311149
7	Washer	301016
8	Body	311152
9	Gasket	311150
10	Plug	311151



# P4004 P-Trap, Adjustable 1-1/2" Plated



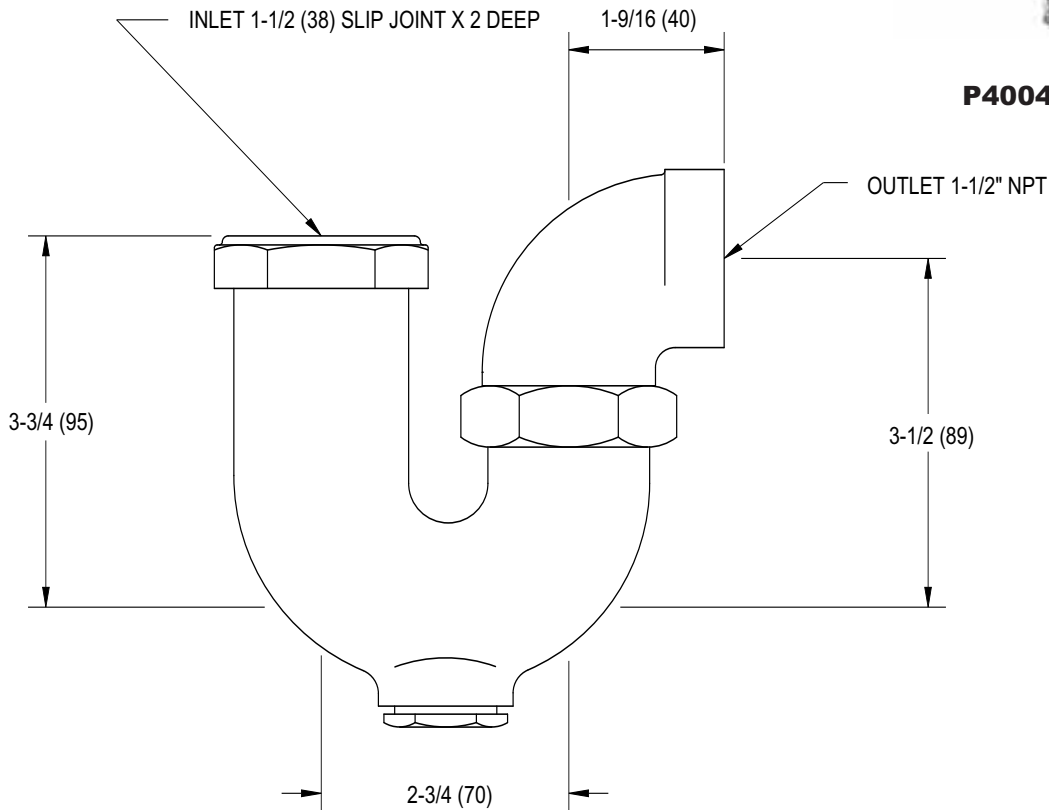
**P4004 Specification:** Commercial grade cast brass 1-1/2" adjustable ground joint swivel p-trap includes a resilient polished chrome plated finish, cleanout, and 1-1/2" NPT outlet with 1-1/2" slip joint inlet.

**Minimum Flow Rate** ..... 9.4 GPM (36 L/Min)

**Shipping Weight** ..... 2.3 Lbs (1.0 Kg)



**P4004 Model Shown**



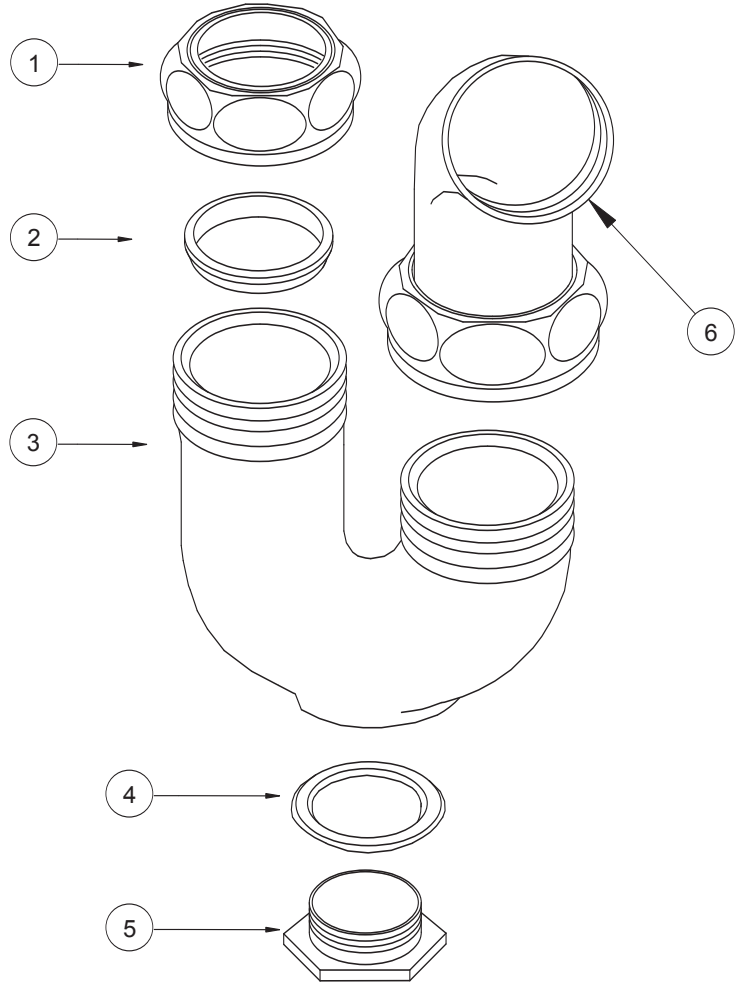
*Dimensions shown in inches (mm) are for reference only and are subject to change.*



**Ordering Code:**

**P4004**

#	Description	Part #
1	Coupling Nut	300840
2	Friction Ring	300276
3	Body	301124
4	Gasket	303006
5	Plug	303004
6	Joint Elbow Tailpiece	301122



# P4005 P-Trap, Adjustable 1-1/2" Rough



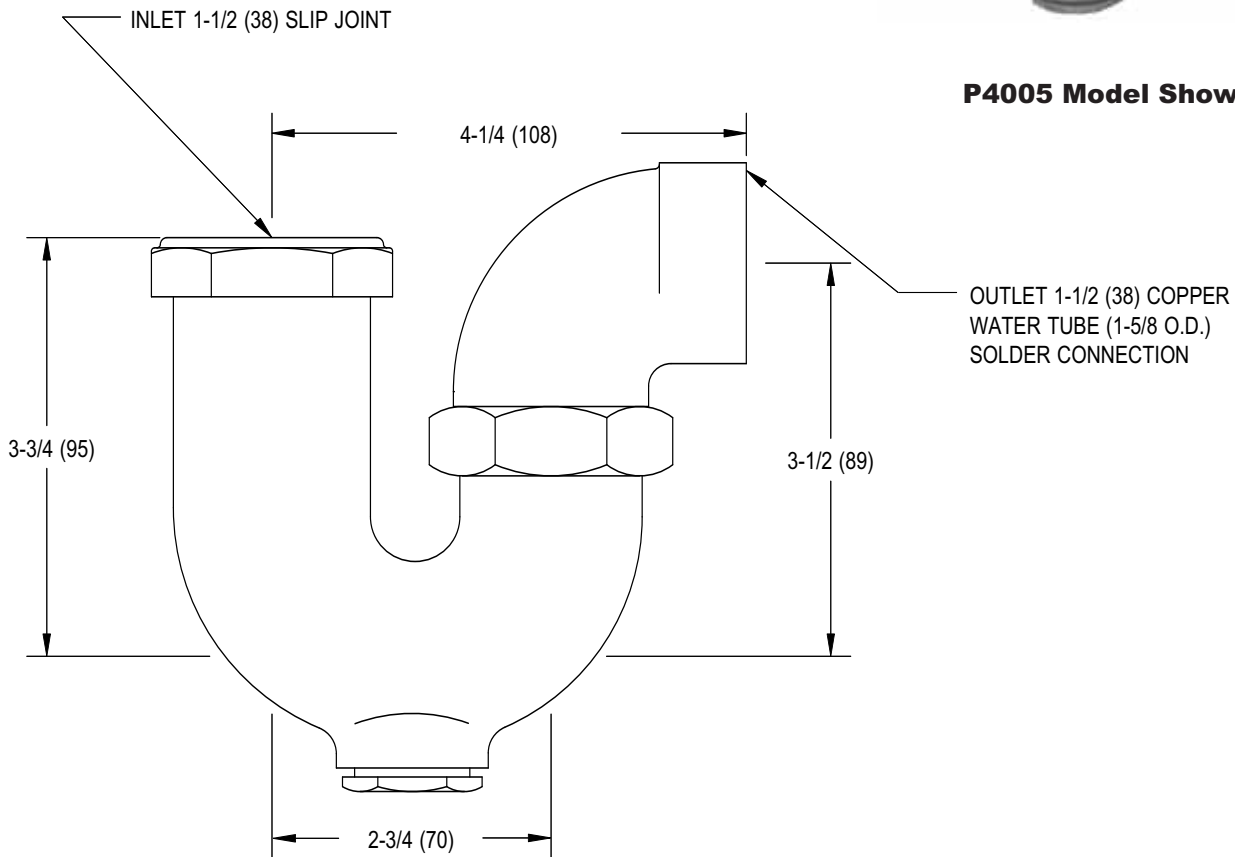
**P4005 Specification:** Commercial grade cast brass 1-1/2" (38 mm) adjustable p-trap includes a rough brass finish, cleanout, 1-1/2" solder joint outlet and 1-1/2" slip joint inlet.

**Minimum Flow Rate** ..... 9.4 GPM (36 L/Min)

**Shipping Weight** ..... 2.3 Lbs (1.0 Kg)



**P4005 Model Shown**



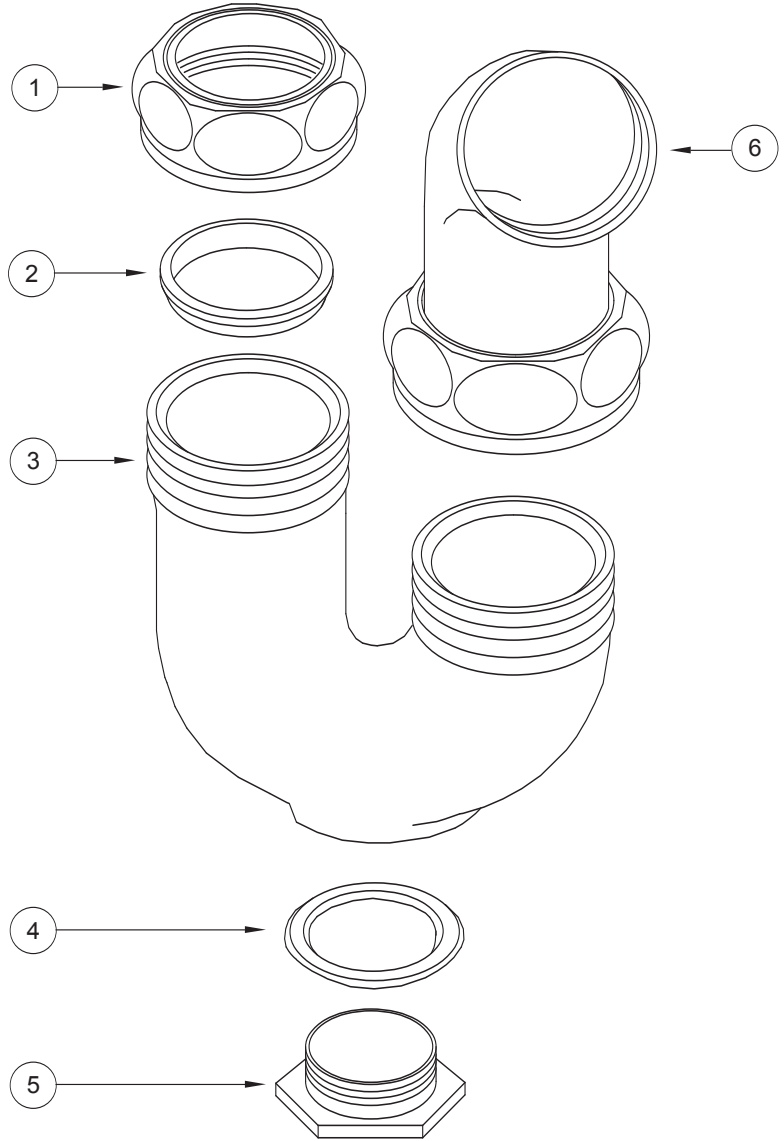
*Dimensions are shown in inches (mm) and are for reference only.*



**Ordering Code:**

**P4005**

#	Description	Part #
1	Coupling Nut	300840
2	Friction Ring	300276
3	Body	301124
4	Gasket	303006
5	Plug	303004
6	Tailpiece	301122



# P4006 P-Trap, Adjustable 1-1/2" Rough



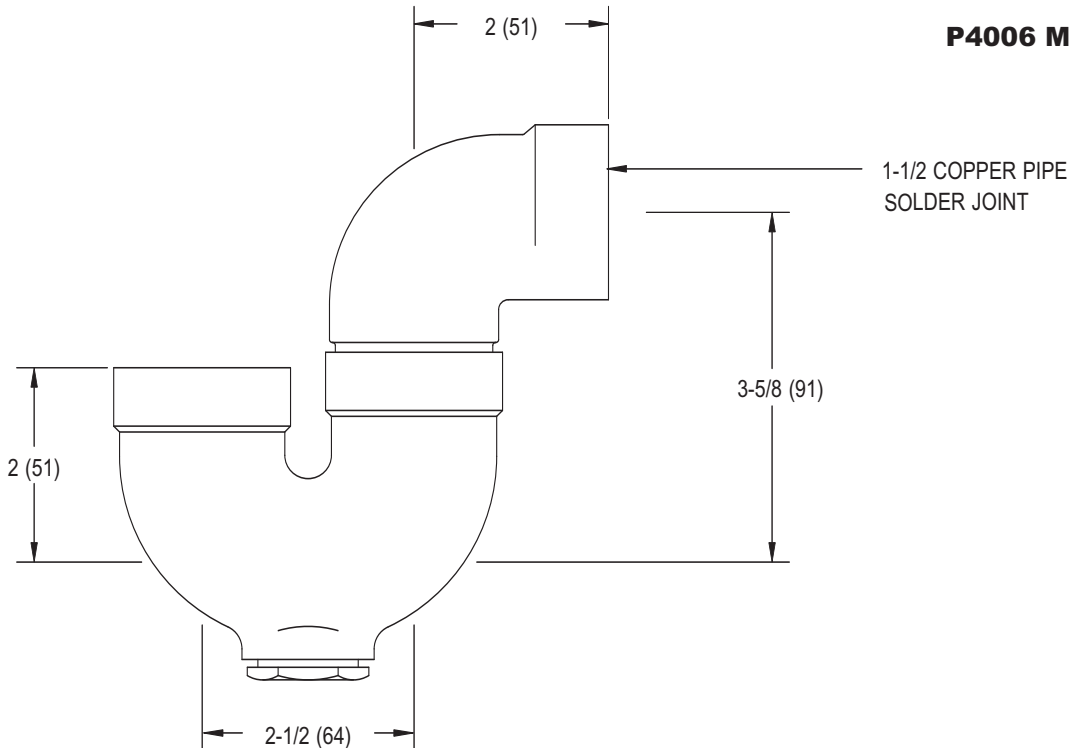
**P4006 Specification:** Commercial grade cast brass 1-1/2" (38 mm) copper to copper adjustable p-trap includes a rough brass finish, cleanout, and 1-1/2" solder joint outlet with 1-1/2" solder joint inlet.

**Minimum Flow Rate** ..... 9.4 GPM (36 L/Min)

**Shipping Weight** ..... 2.3 Lbs (1.0 Kg)



**P4006 Model Shown**



*Dimensions shown in inches (mm) are for reference only and are subject to change.*

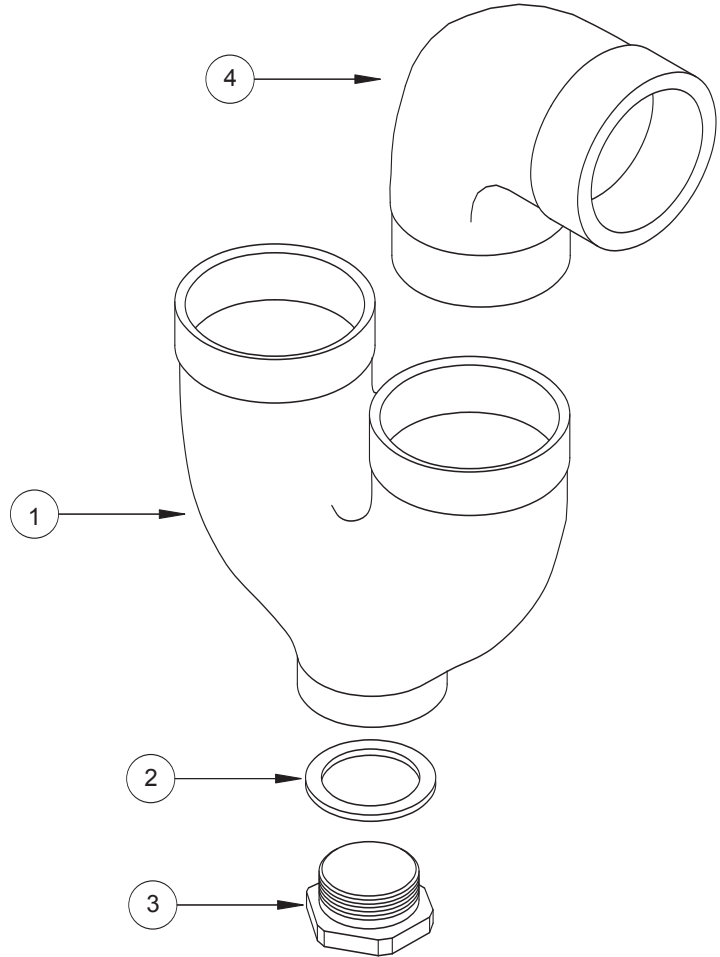


**Ordering Code:**

**P4006**



#	Description	Part #
1	Body	300810
2	Gasket	303006
3	Plug	303004
4	Elbow Tailpiece	300809



# P4007 P-Trap, Whirlpool Type 1-1/4"

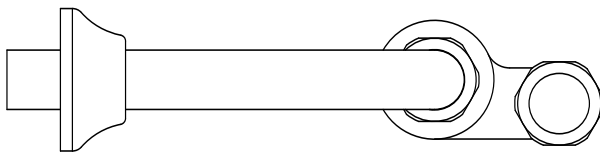


**P4007 Specification:** Commercial grade cast brass 1-1/4" (32 mm) Whirlpool p-trap includes a resilient polished chrome plated finish, deep wall flange and cleanout.

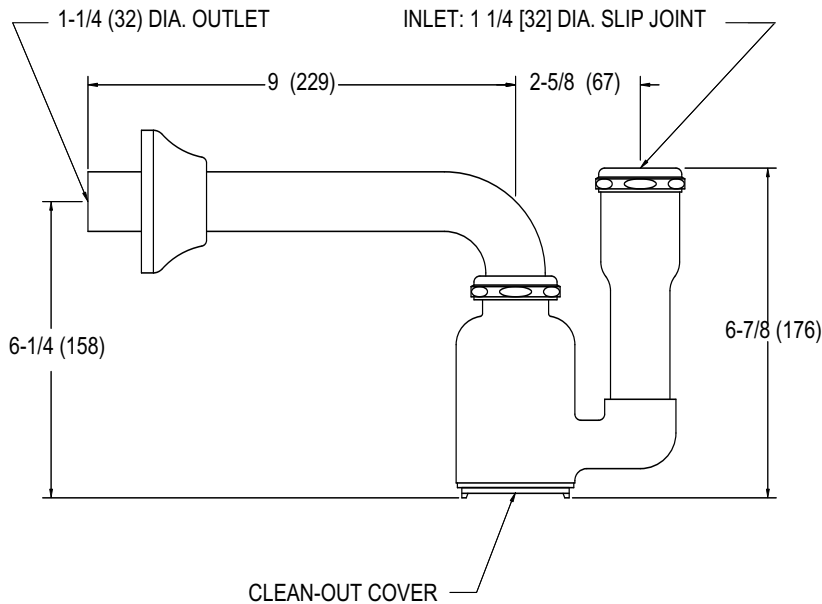


**Minimum Flow Rate** ..... 9.4 GPM (36 L/Min)

**Shipping Weight** ..... 3.4 Lbs (1.5 Kg)



**P4007 Model Shown**



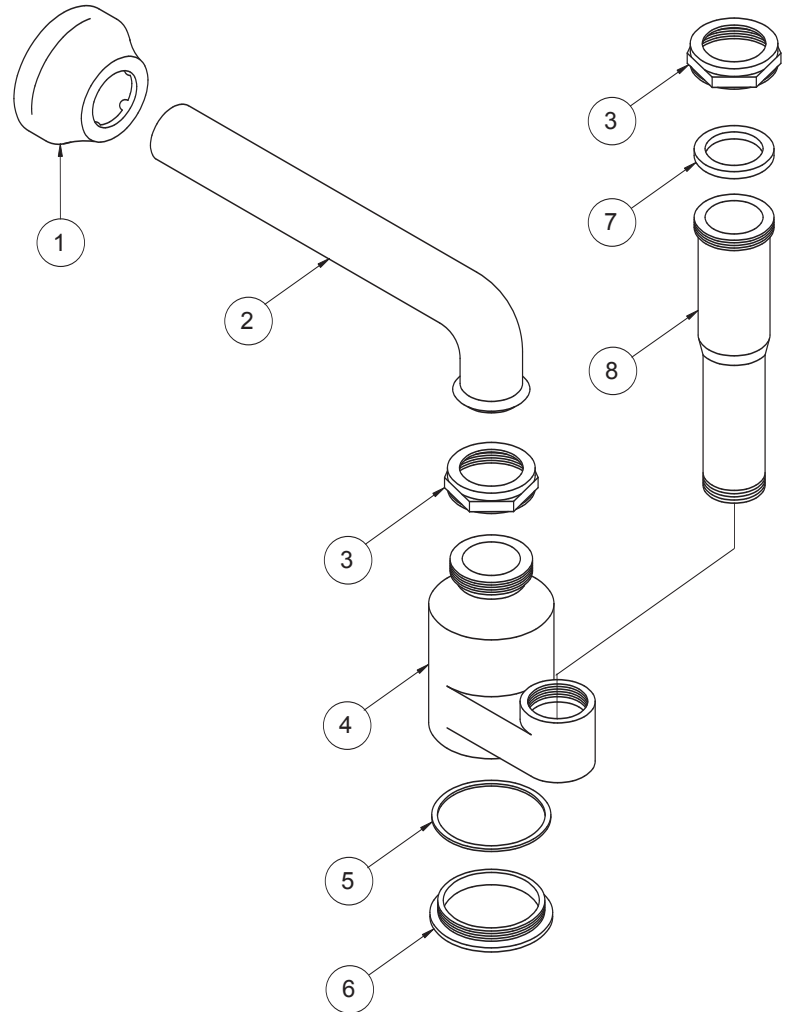
*Dimensions shown in inches (mm) are for reference only and are subject to change.*



**Ordering Code:**

**P4007**

#	Description	Part #
1	Flange	301019
2	Wall Tube	301018
3	Coupling Nut	300317
4	Body	301136
5	Gasket	301138
6	Plug	301137
7	Washer	301016
8	Inlet Tube	301139



# P4008 P-Trap Adjustable 1-1/2" Plated



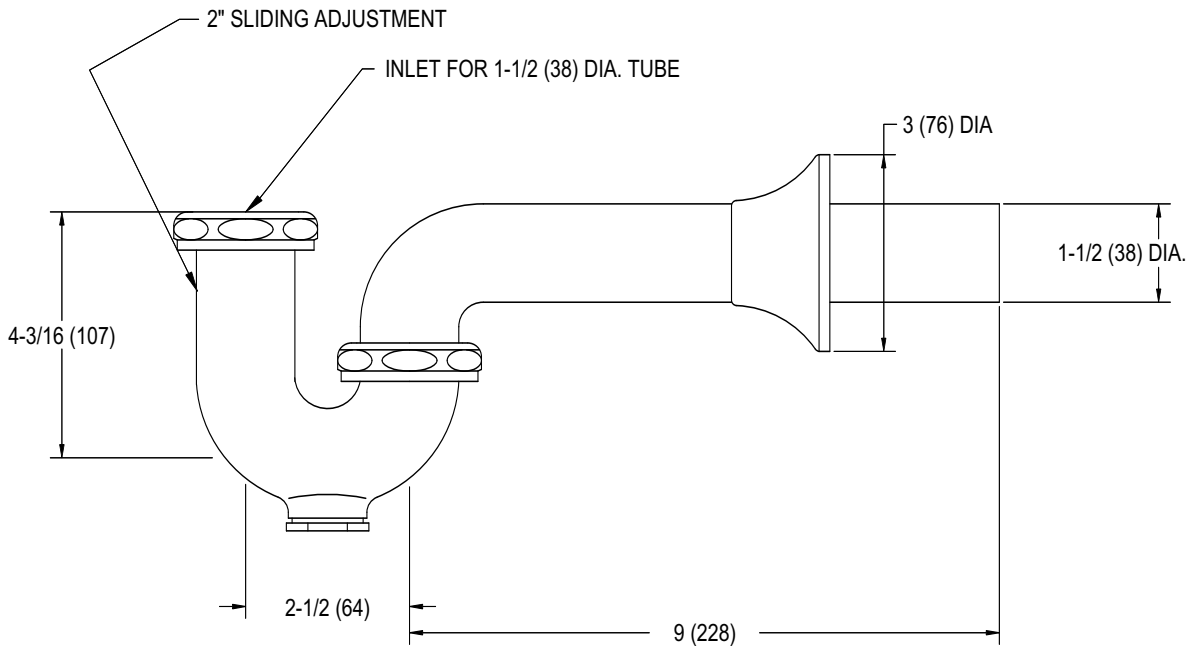
**P4008 Specification:** Commercial grade cast brass 1-1/2" (38 mm) adjustable p-trap. Assembly includes a resilient polished chrome plated finish, deep wall flange and cleanout.



**Minimum Flow Rate** ..... 9.4 GPM (36 L/Min)

**Shipping Weight** ..... 2.5 Lbs (1.1 Kg)

**P4008 Model Shown**



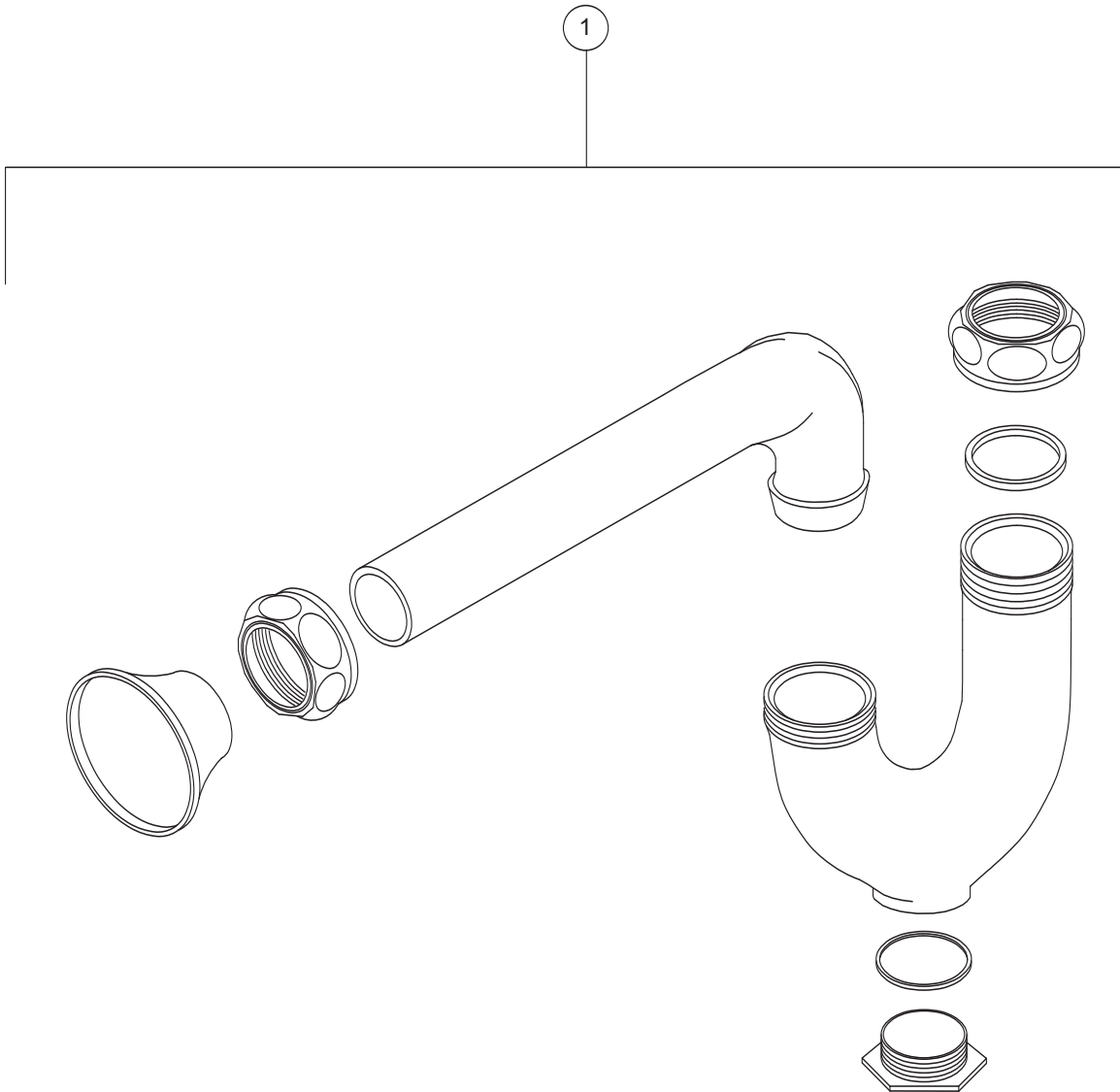
*Dimensions shown in inches (mm) are for reference only and are subject to change.*



**Ordering Code:**

**P4008**

#	Description	Part #
1	Complete Waste Assy.	P4008



# P4101 Backflow Preventer, Exposed 3/8"



**P4101 Specification:** Commercial grade cast brass exposed backflow preventer includes a resilient polished chrome plated finish, hooded vent cap and 3/8" NPT connections.

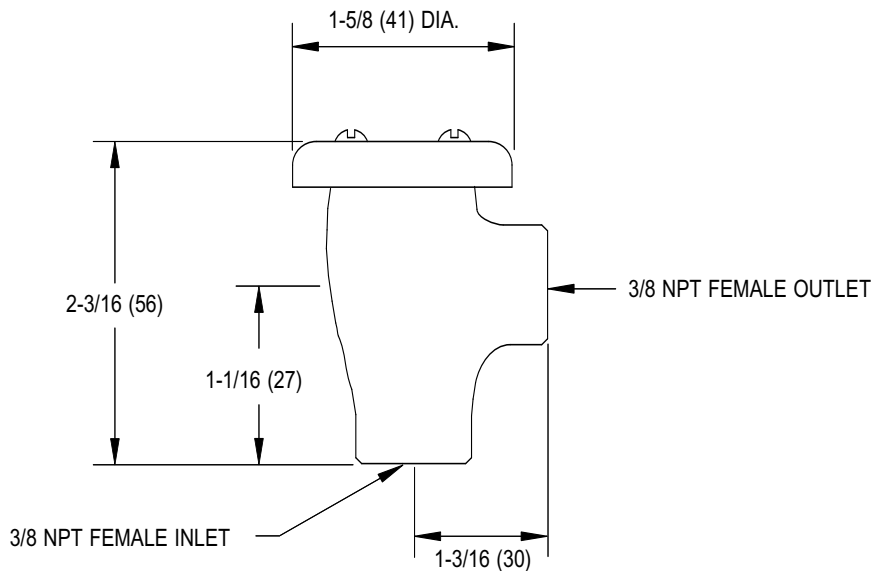
**Maximum Operating Pressure Rating** ..... 125 PSI (860 KPa)

**Maximum Operating Temperature Rating** ..... 65 C (150 F)

**Shipping Weight** ..... 0.5 Lbs (0.3 Kg)



**P4101 Model Shown**



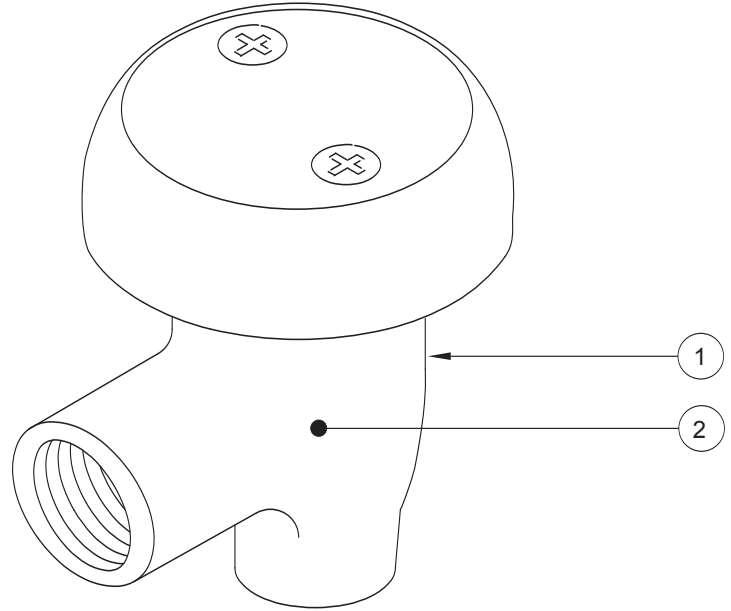
*Dimensions shown in inches (mm) are for reference only and are subject to change.*



**Ordering Code:**

**P4101**

#	Description	Part #
1	Backflow Preventer	P4101
2	Float Assy.	887170



# P4102 Backflow Preventer, Exposed 1/2"



**P4102 Specification:** Commercial grade cast brass exposed backflow preventer includes a resilient polished chrome plated finish, hooded vent cap, and 1/2" NPT connections.

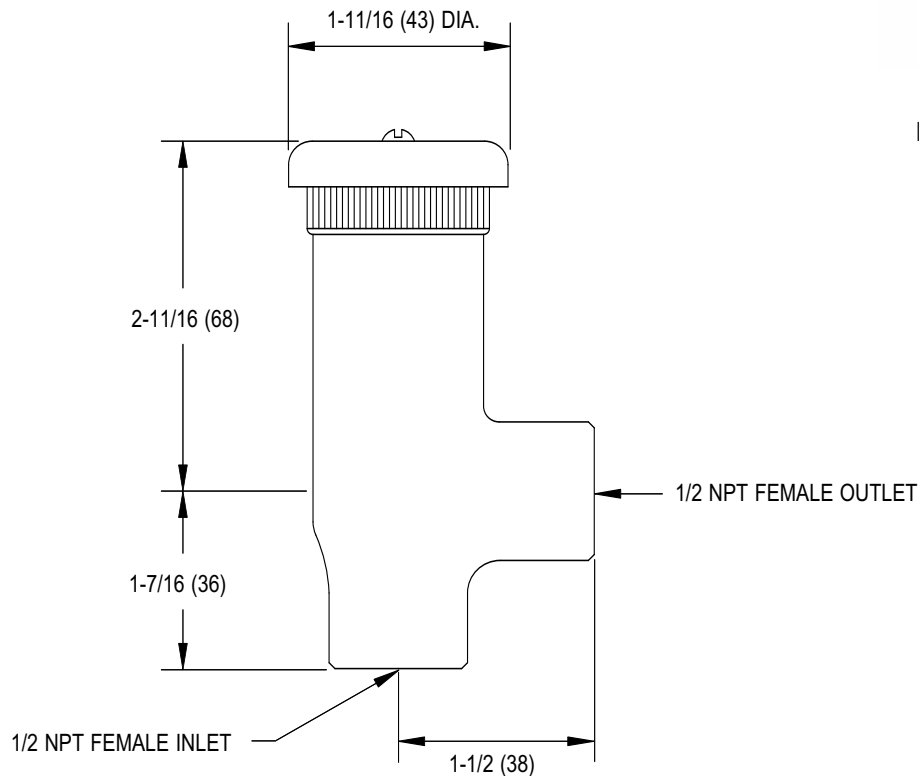
**Maximum Operating Pressure Rating** ..... 125 PSI (860 KPa)

**Maximum Operating Temperature Rating** ..... 65 C (150 F)

**Shipping Weight** ..... 1.0 Lbs (0.5 Kg)



**P4102 Model Shown**



*Dimensions shown in inches (mm) are for reference only and are subject to change.*

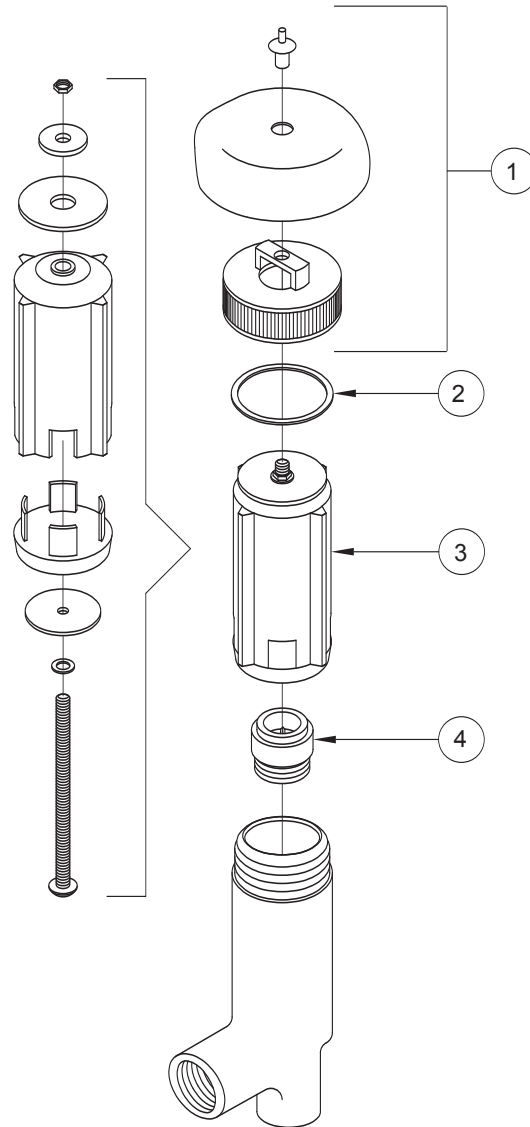


**Ordering Code:**

**P4102**



#	Description	Part #
1	Bonnet Assy.	356178
2	Gasket	303378
3	Float Assy.	039067
4	Seat	303379



# P4103 Backflow Preventer, Exposed 3/8"



**P4103 Specification:** Commercial grade cast brass exposed backflow preventer includes a resilient polished chrome plated finish, hooded vent cap, 3/8" NPT male connections and wall flanges.

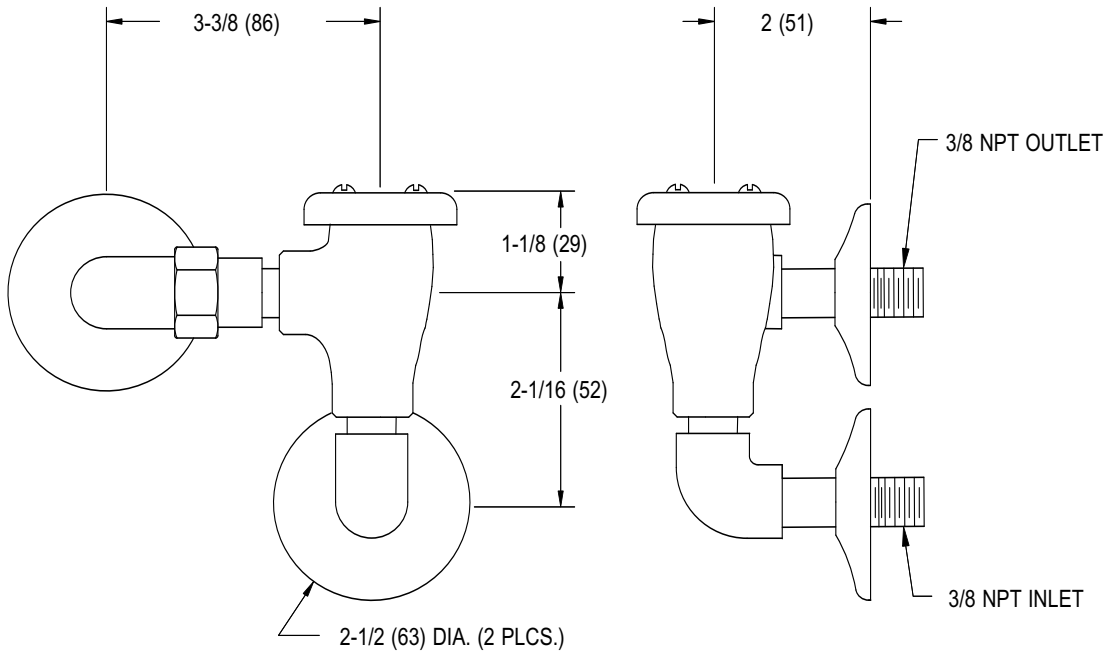
**Maximum Operating Pressure Rating** ..... 125 PSI (860 KPa)

**Maximum Operating Temperature Rating** ..... 65 C (150 F)

**Shipping Weight** ..... 1.5 Lbs (0.7 Kg)



**P4103 Model Shown**



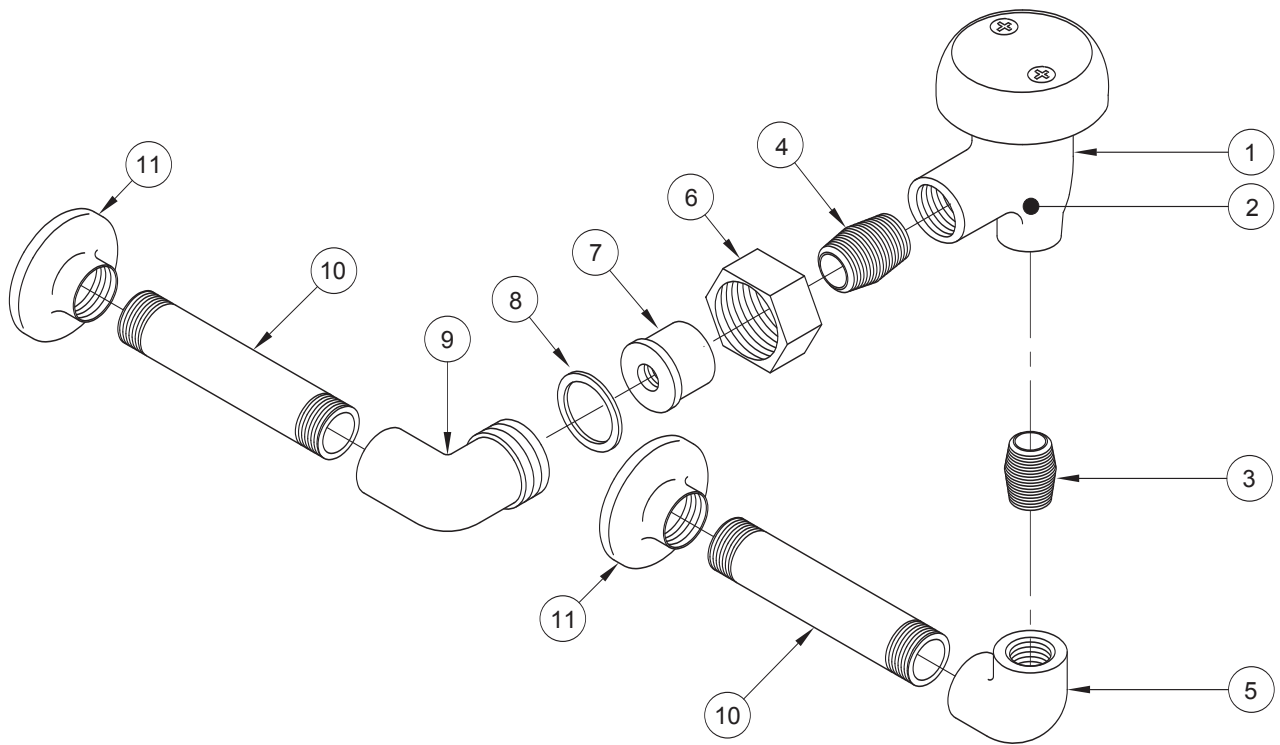
*Dimensions shown in inches (mm) are for reference only and are subject to change.*



**Ordering Code:**

**P4103**

#	Description	Part #
1	Backflow Preventer	P4101
2	Float Assy.	887170
3	Nipple	300506
4	Nipple	300542
5	Elbow	300505
6	Union Nut	303522
7	Tailpiece	303524
8	Gasket	303418
9	Elbow	303518
10	Nipple	303443
11	Escutcheon	301284



# P4104 Backflow Preventer W/ Spray Hook



**P4104 Specification:** Commercial grade cast brass exposed backflow preventer includes a resilient polished chrome plated finish, hooded vent cap, 1/2" NPT female inlet, 3/8" NPT female outlet. Comes complete with wall flange spout and spray hook.

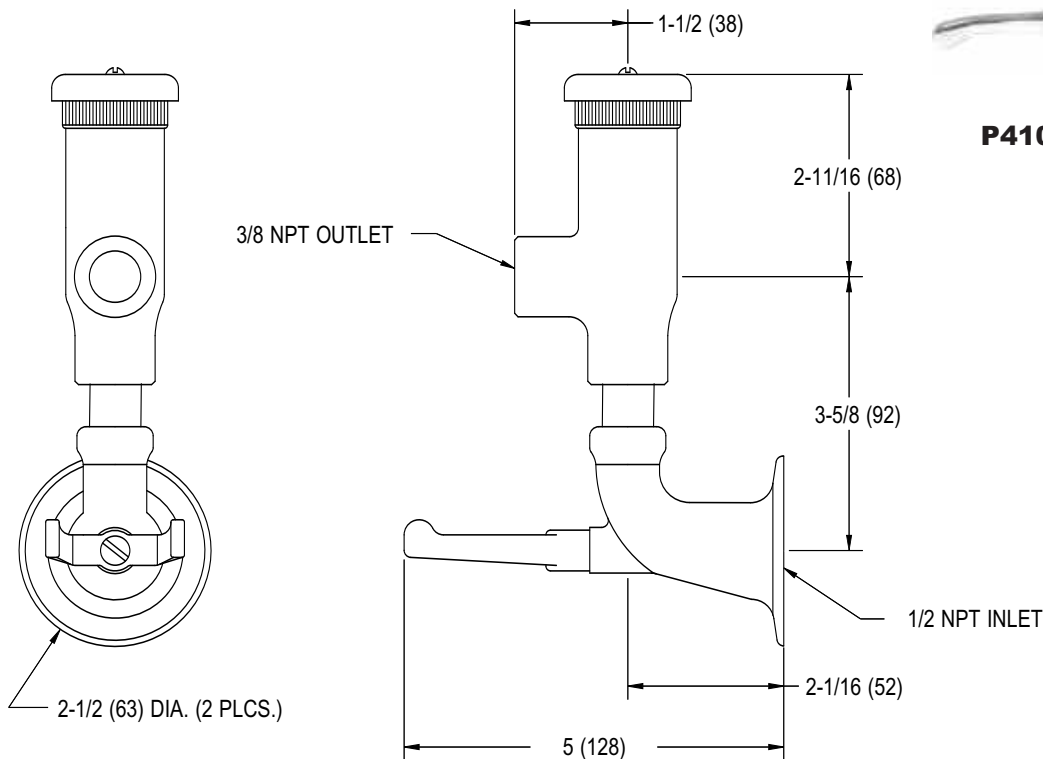
**Maximum Operating Pressure Rating** ..... 125 PSI (860 KPa)

**Maximum Operating Temperature Rating** ..... 65 C (150 F)

**Shipping Weight** ..... 3.0 Lbs (1.4 Kg)



**P4104 Model Shown**



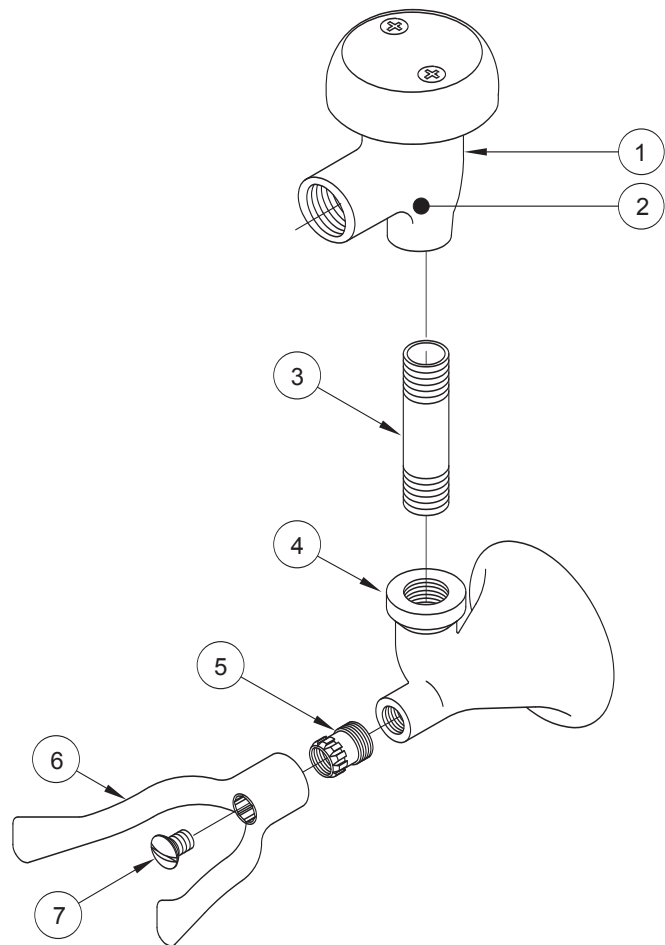
*Dimensions shown in inches (mm) are for reference only and are subject to change.*



**Ordering Code:**

**P4104**

#	Description	Part #
1	Backflow Preventer	P4101
2	Float Assy.	887170
3	Nipple	300542
4	Spout	300721
5	Stud	300722
6	Spray Hook	300724
7	Screw	300723



# P4261 Supply Stop, Lavatory



**P4261 Specification:** Commercial grade lavatory supply stop complete with one 12" (305 mm) flexible riser, one brass wall flange and one quarter turn ball valve stop. Assembly has a resilient polished chrome plated finish on all exposed surfaces. The 1/2" (13 mm) solder inlet ball valve stop is constructed of brass body and stem with die cast non-slip oval handle.

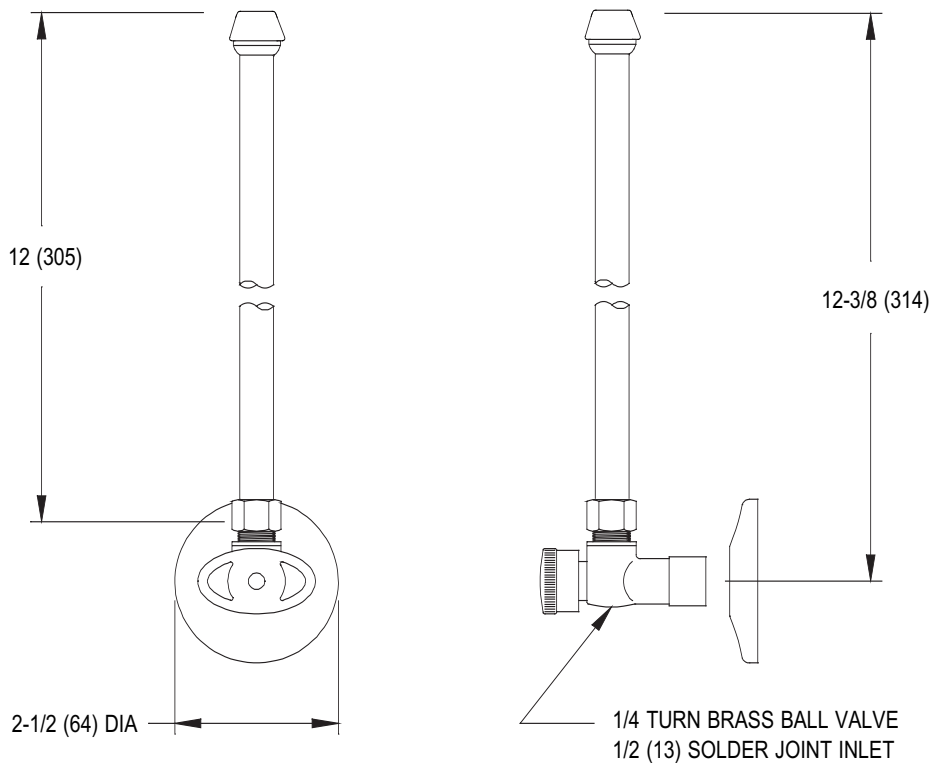
**Maximum Operating Pressure Rating** ..... 125 PSI (860 KPa)

**Maximum Operating Temperature Rating** ..... 65 C (150 F)

**Shipping Weight** ..... 1.5 Lbs (0.7 Kg)



**P4261 Model Shown**



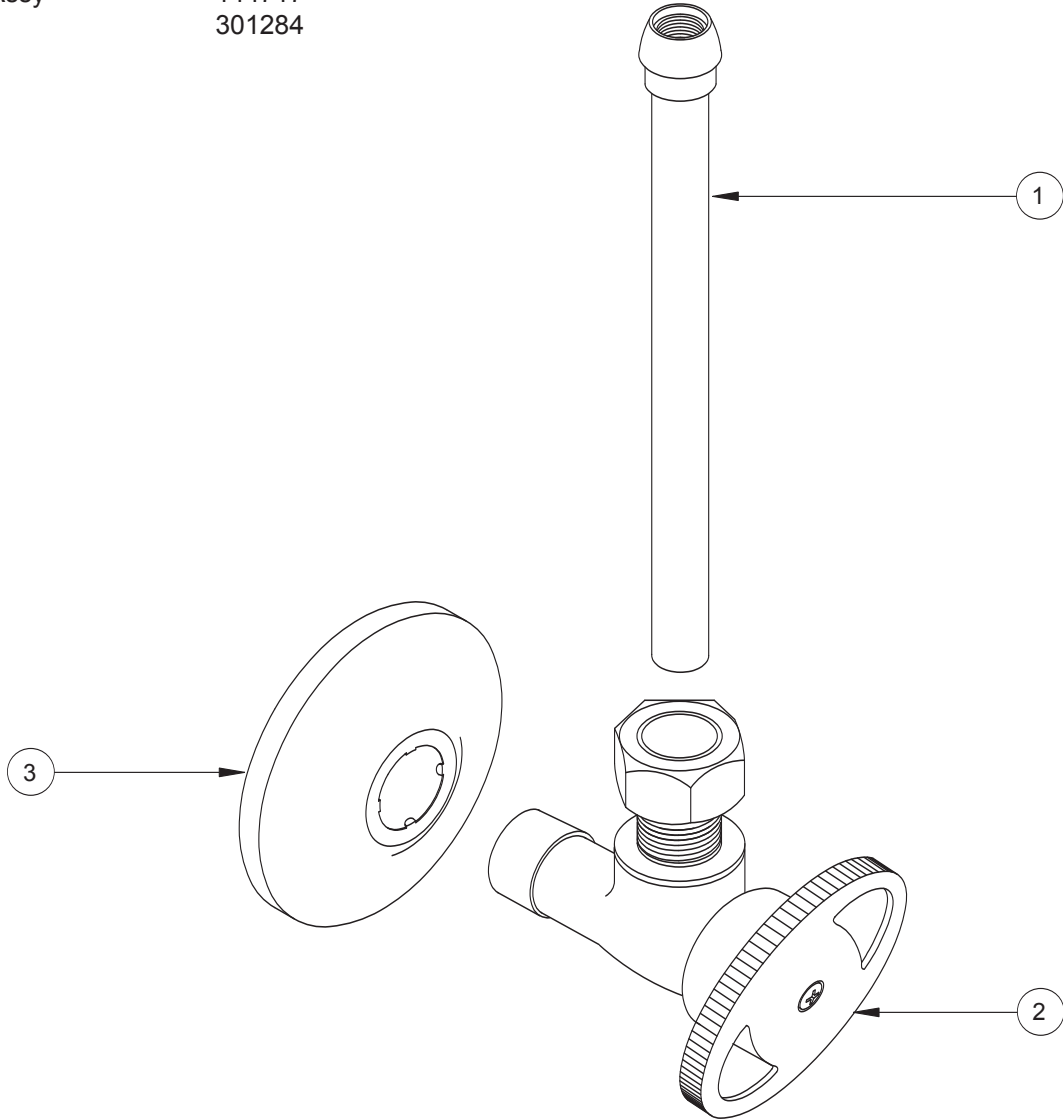
*Dimensions shown in inches (mm) are for reference only and are subject to change.*



**Ordering Code:**

**P4261**

#	Description	Part #
1	Tube	310388
2	Ball Valve Assy	144717
3	Escutcheon	301284



# P4262 Supply Stop, Lavatory



**P4262 Specification:** Commercial grade lavatory supply stop complete with one 12" (305 mm) stainless steel braided riser, one brass wall flange and one quarter turn ball valve stop. Assembly has a resilient polished chrome plated finish on all exposed surfaces. The 1/2" (13 mm) solder inlet ball valve stop is constructed of brass body and stem with die cast non-slip oval handle.

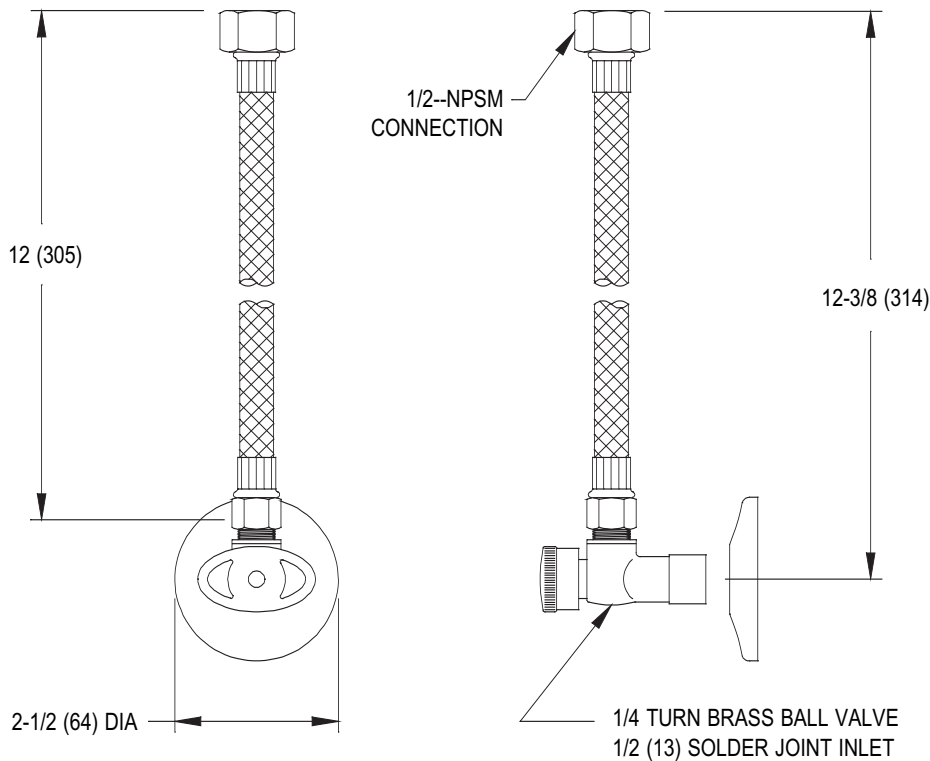
**Maximum Operating Pressure Rating** ..... 125 PSI (860 KPa)

**Maximum Operating Temperature Rating** ..... 65 C (150 F)

**Shipping Weight** ..... 1.5 Lbs (0.7 Kg)



**P4262 Model Shown**



*Dimensions shown in inches (mm) are for reference only and are subject to change.*

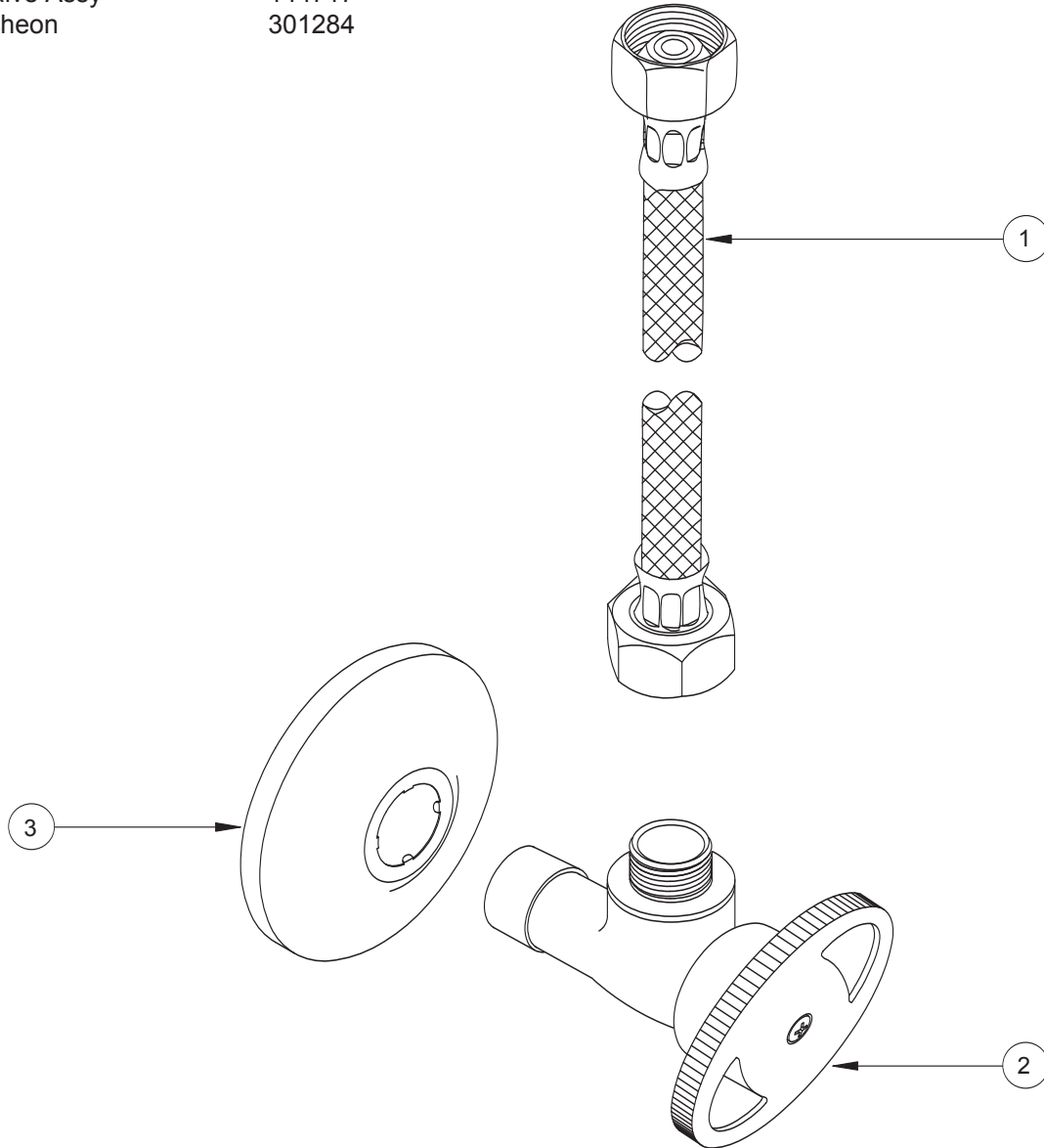


**Ordering Code:**

**P4262**



#	Description	Part #
1	Stainless Steel Riser	62245112
2	Ball Valve Assy	144717
3	Escutcheon	301284



# P4262-20 Supply Stop, Wheelchair Lavatory



**P4262-20 Specification:** Commercial grade lavatory supply stop complete with one 20" (508 mm) stainless steel braided riser, one brass wall flange and one quarter turn ball valve stop. Assembly has a resilient polished chrome plated finish on all exposed surfaces. The 1/2" (13 mm) solder inlet ball valve stop is constructed of brass body and stem with die cast non-slip oval handle.

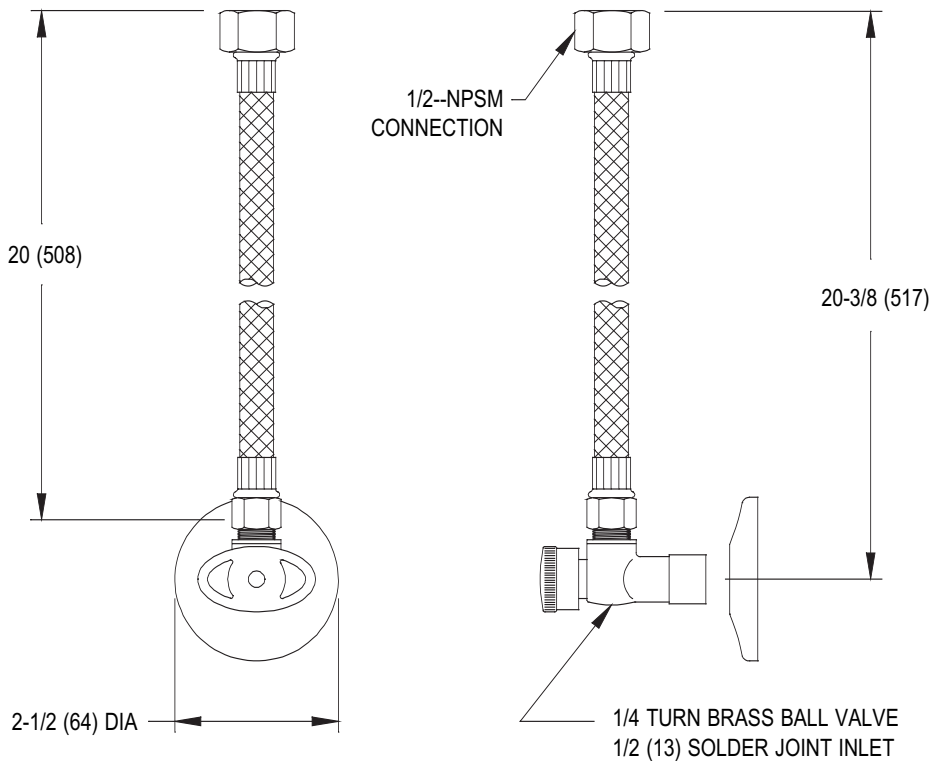
**Maximum Operating Pressure Rating** ..... 125 PSI (860 KPa)

**Maximum Operating Temperature Rating** ..... 65 C (150 F)

**Shipping Weight** ..... 1.8 Lbs (0.8 Kg)



**P4262-20 Model Shown**



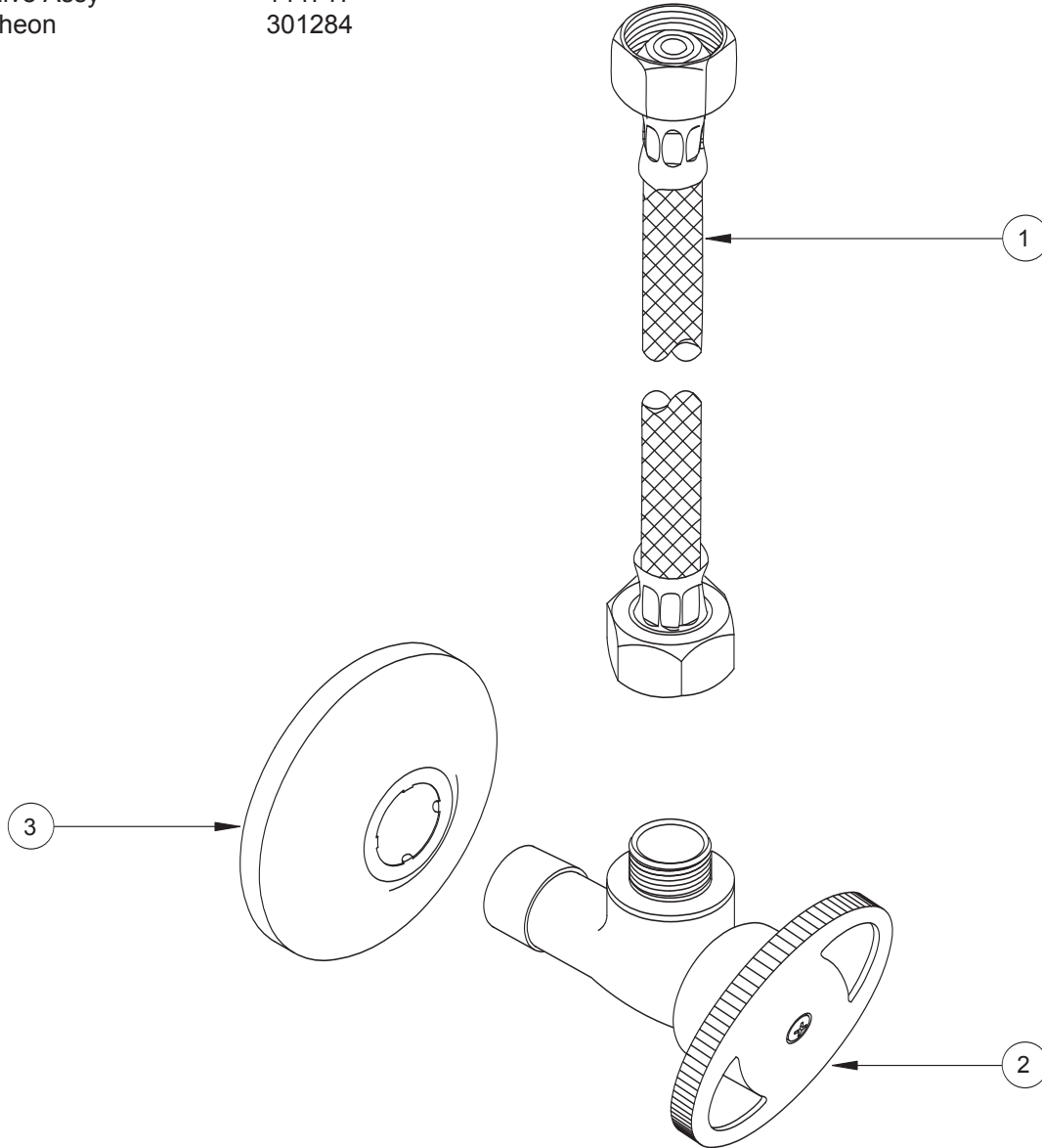
*Dimensions shown in inches (mm) are for reference only and are subject to change.*



**Ordering Code:**

**P4262 - 20**

#	Description	Part #
1	Stainless Steel Riser	62245120
2	Ball Valve Assy	144717
3	Escutcheon	301284



# P4263 Supply Stop, Water Closet



**P4263 Specification:** Commercial grade water closet stop complete with one 12" (305 mm) stainless steel braided riser, one brass wall flange and one quarter turn ball valve stop. Assembly has a resilient polished chrome plated finish on all exposed surfaces. The 1/2" (13 mm) solder inlet ball valve stop is constructed of brass body and stem with die cast non-slip oval handle.

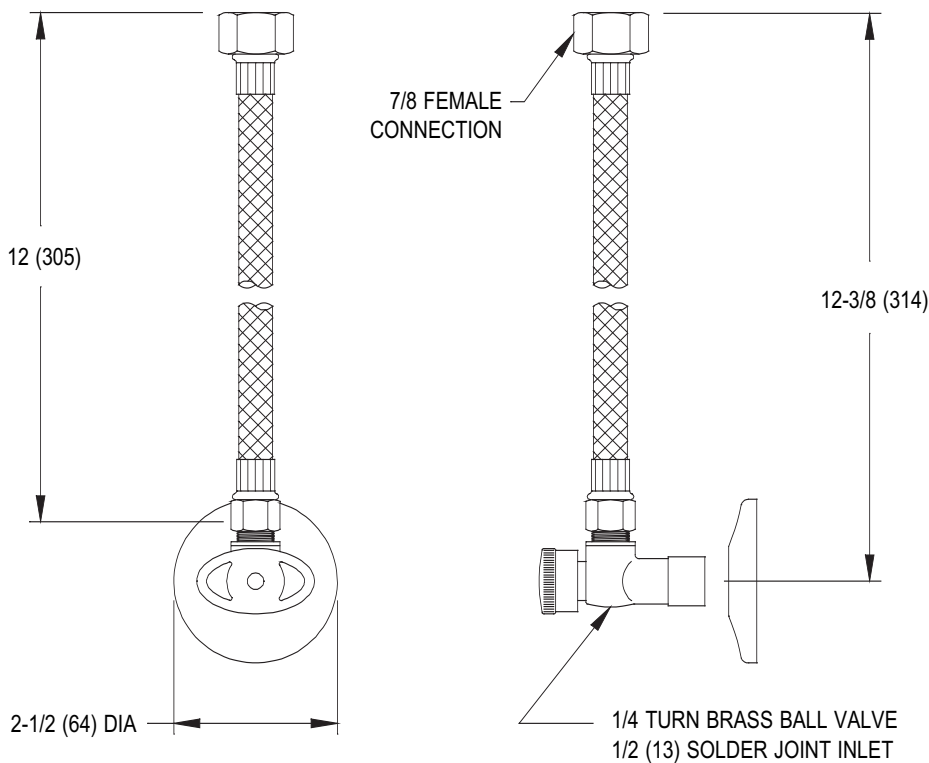
**Maximum Operating Pressure Rating** ..... 125 PSI (860 KPa)

**Maximum Operating Temperature Rating** ..... 65 C (150 F)

**Shipping Weight** ..... 1.5 Lbs (0.7 Kg)



**P4263 Model Shown**



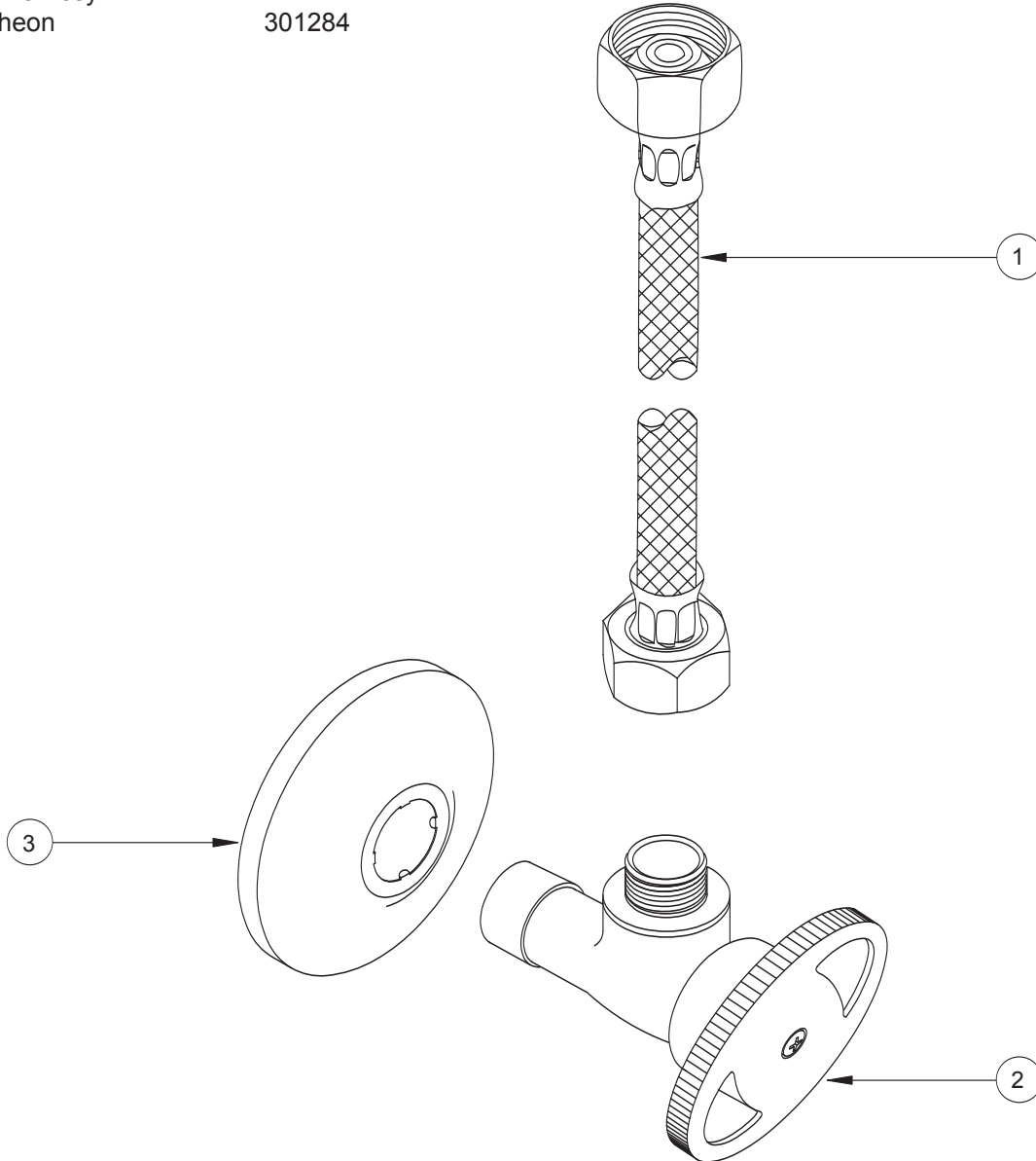
*Dimensions shown in inches (mm) are for reference only and are subject to change.*



**Ordering Code:**

**P4263**

#	Description	Part #
1	Stainless Steel Riser	62245612
2	Ball Valve Assy	144717
3	Escutcheon	301284

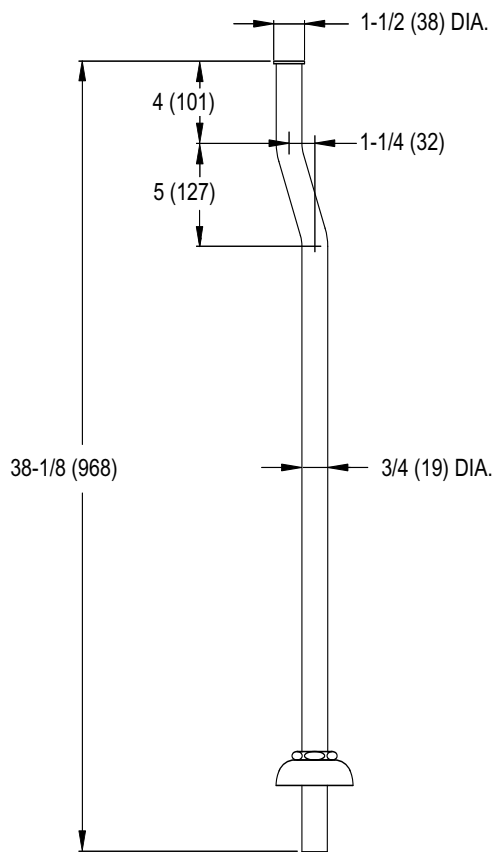


# P4501 Flush Pipe Assy, Exposed, 1 Unit



**P4501 Specification:** Commercial grade exposed flush pipe assembly for use with exposed urinal tank, and one top inlet urinal. All exposed surfaces include a resilient polished chrome plated finish.

**Shipping Weight** ..... 1.9 Lbs (0.9 Kg)



**P4501 Model Shown**

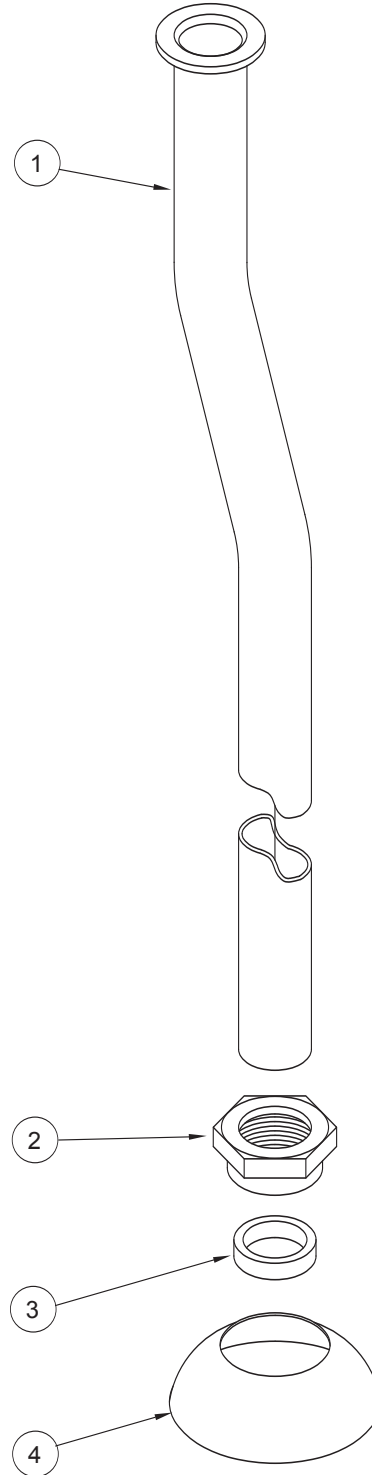
*Dimensions shown in inches (mm) are for reference only and are subject to change.*



**Ordering Code:**

**P4501**

#	Description	Part #
1	Offset Down Pipe w/ Collar	351021
2	Union Nut	300796
3	Gasket	301253
4	Escutcheon	300232



# P4502 Flush Pipe Assy, Exposed, 2 Units

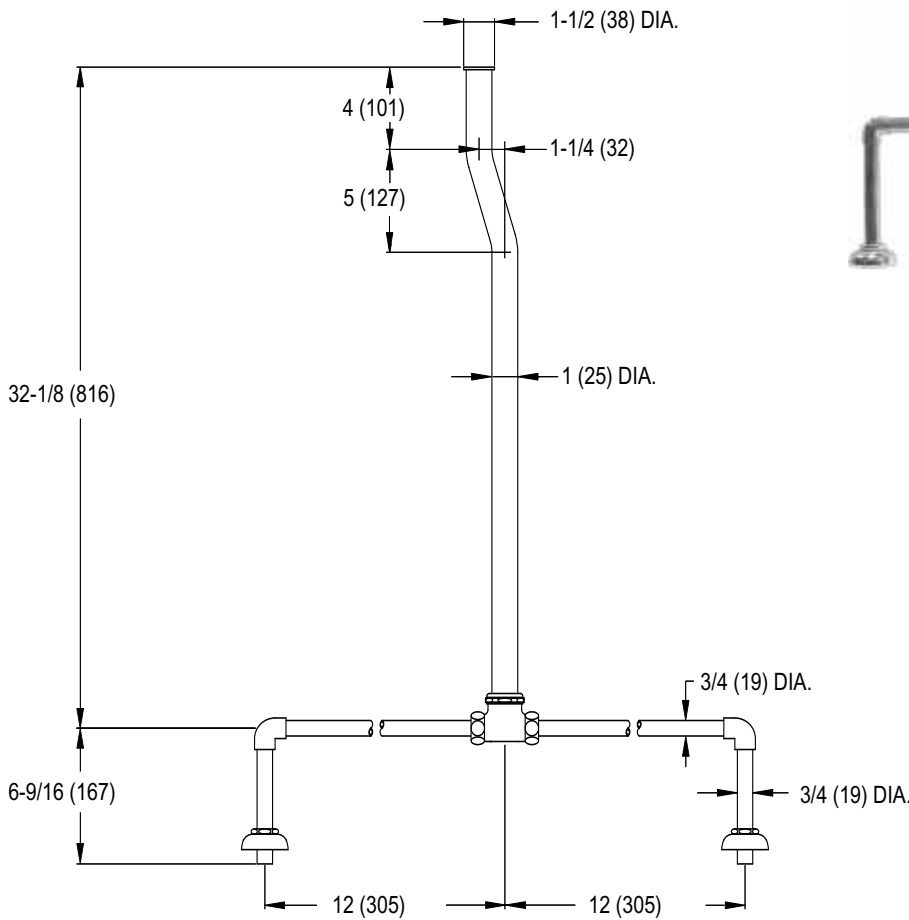


**P4502 Specification:** Commercial grade exposed flush pipe assembly for use with exposed urinal tank and two top inlet urinals. All exposed surfaces include a resilient polished chrome plated finish.

**Shipping Weight** ..... 4.2 Lbs (1.9 Kg)



**P4502 Model Shown**



*Dimensions shown in inches (mm) are for reference only and are subject to change.*

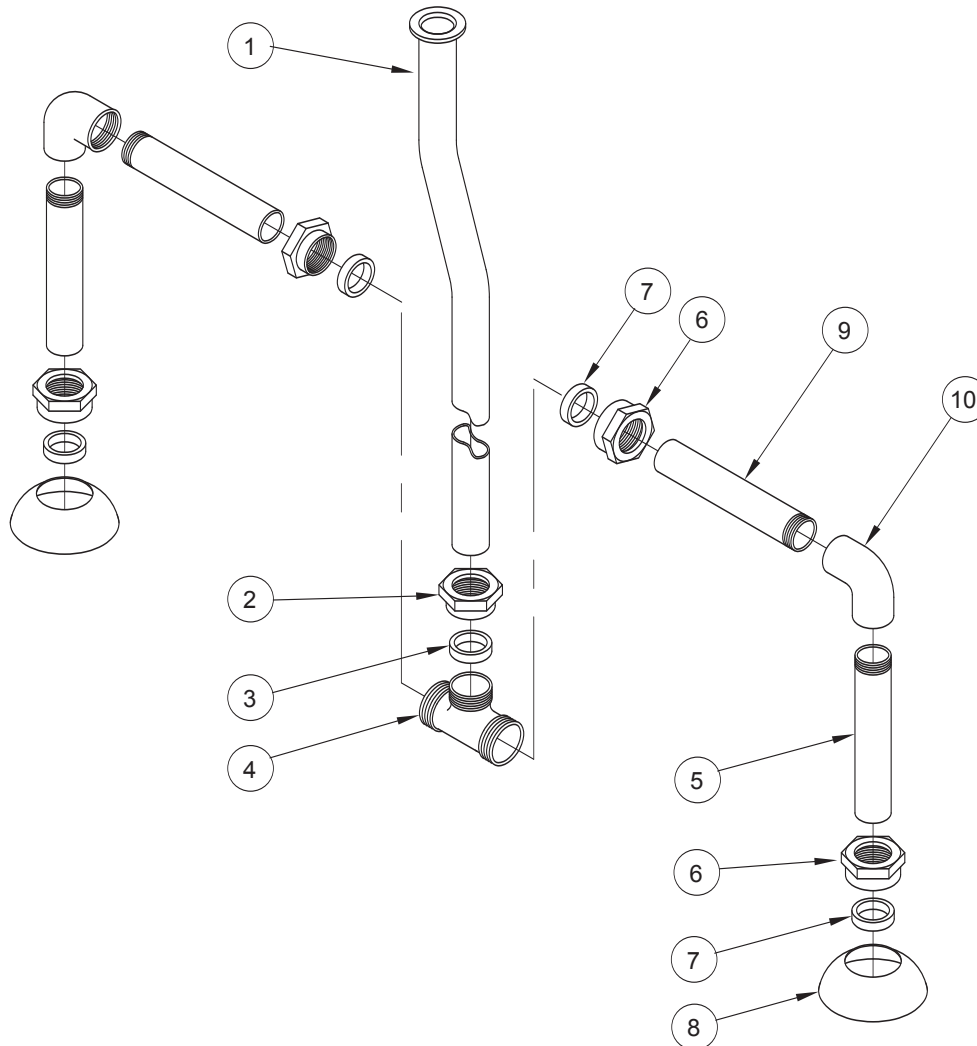
**Ordering Code:**

**P4502**





#	Description	Part #
1	Offset Down Pipe w/ Collar	351025
2	Union Nut	301389
3	Gasket	301391
4	Tee	301392
5	Supply Tube	301398
6	Union Nut	300796
7	Gasket	301253
8	Escutcheon	300232
9	Cross Tube	301396
10	Elbow	301397



# P4503 Flush Pipe Assy, Exposed, 3 Units

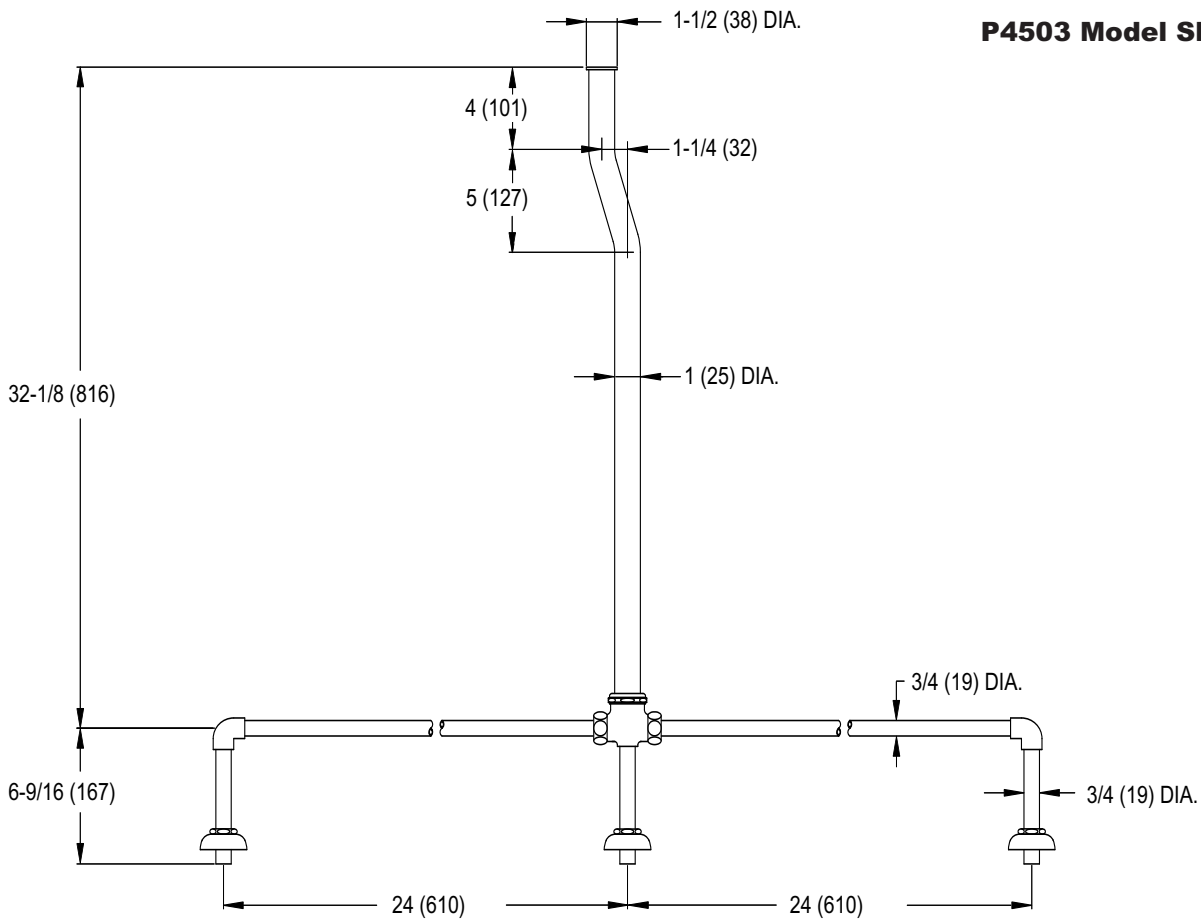


**P4503 Specification:** Commercial grade exposed flush pipe assembly for use with exposed urinal tank and three top inlet urinals. All exposed surfaces include a resilient polished chrome plated finish.

**Shipping Weight** ..... 5.5 Lbs (2.5 Kg)



**P4503 Model Shown**

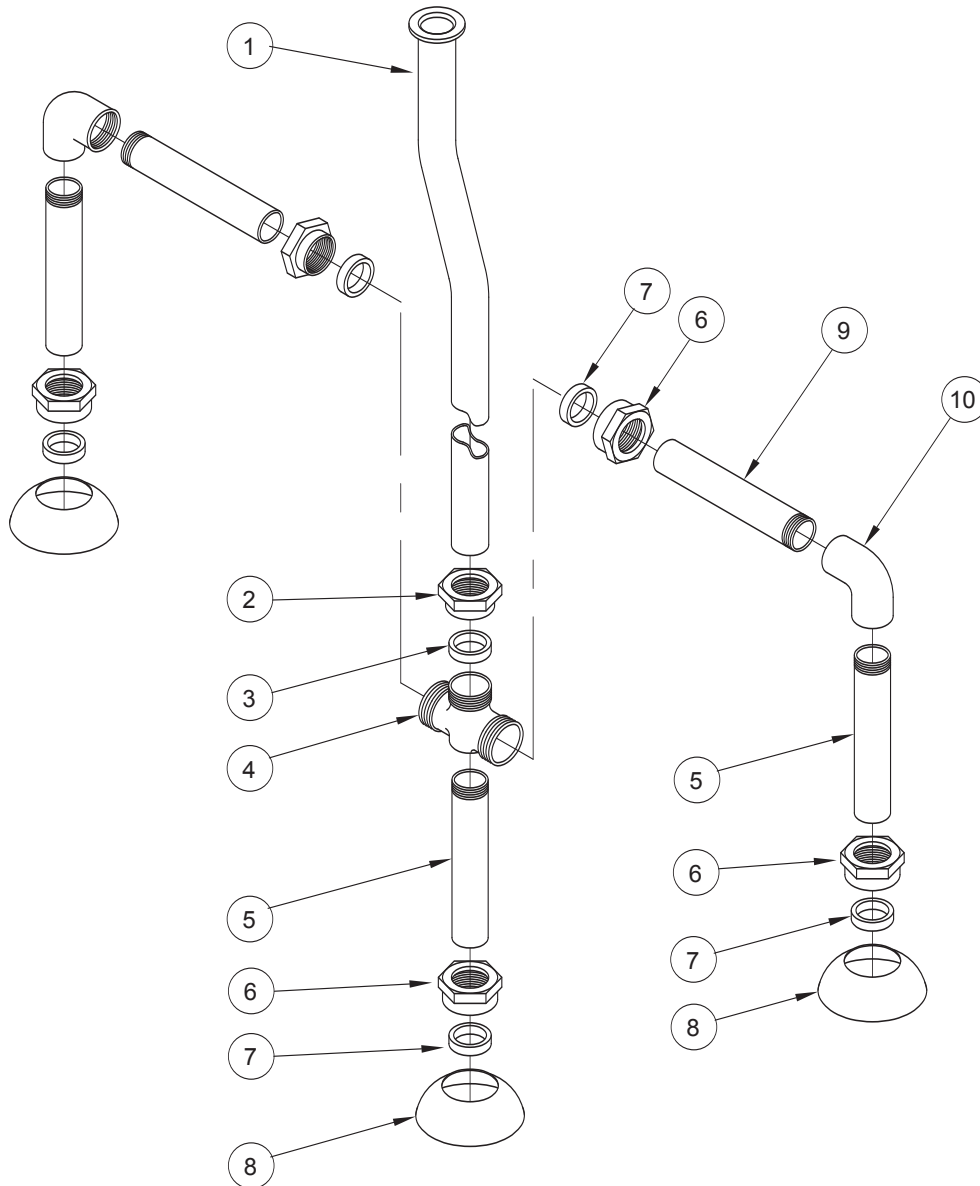


*Dimensions shown in inches (mm) are for reference only and are subject to change.*

**Ordering Code:**

**P4503**

#	Description	Part #
1	Offset Down Pipe w/ Collar	351025
2	Union Nut	301389
3	Gasket	301391
4	Cross	301400
5	Supply Tube	301398
6	Union Nut	300796
7	Gasket	301253
8	Escutcheon	300232
9	Cross Tube	301399
10	Elbow	301397



# P4504 Flush Pipe Assy, Exposed, 4 Units

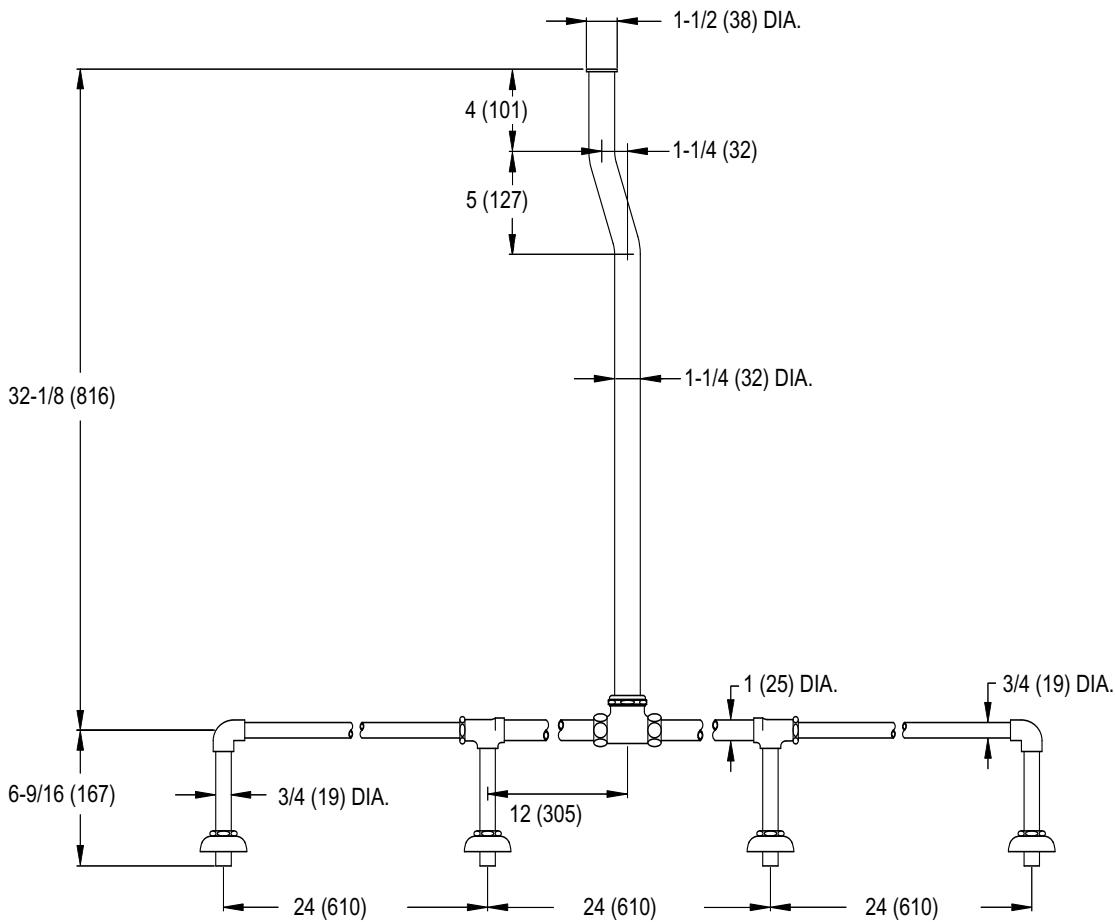


**P4504 Specification:** Commercial grade exposed flush pipe assembly for use with exposed urinal tank, and four top inlet urinals. All exposed surfaces include a resilient polished chrome plated finish.

**Shipping Weight** ..... 7.6 Lbs (3.5 Kg)



**P4504 Model Shown**

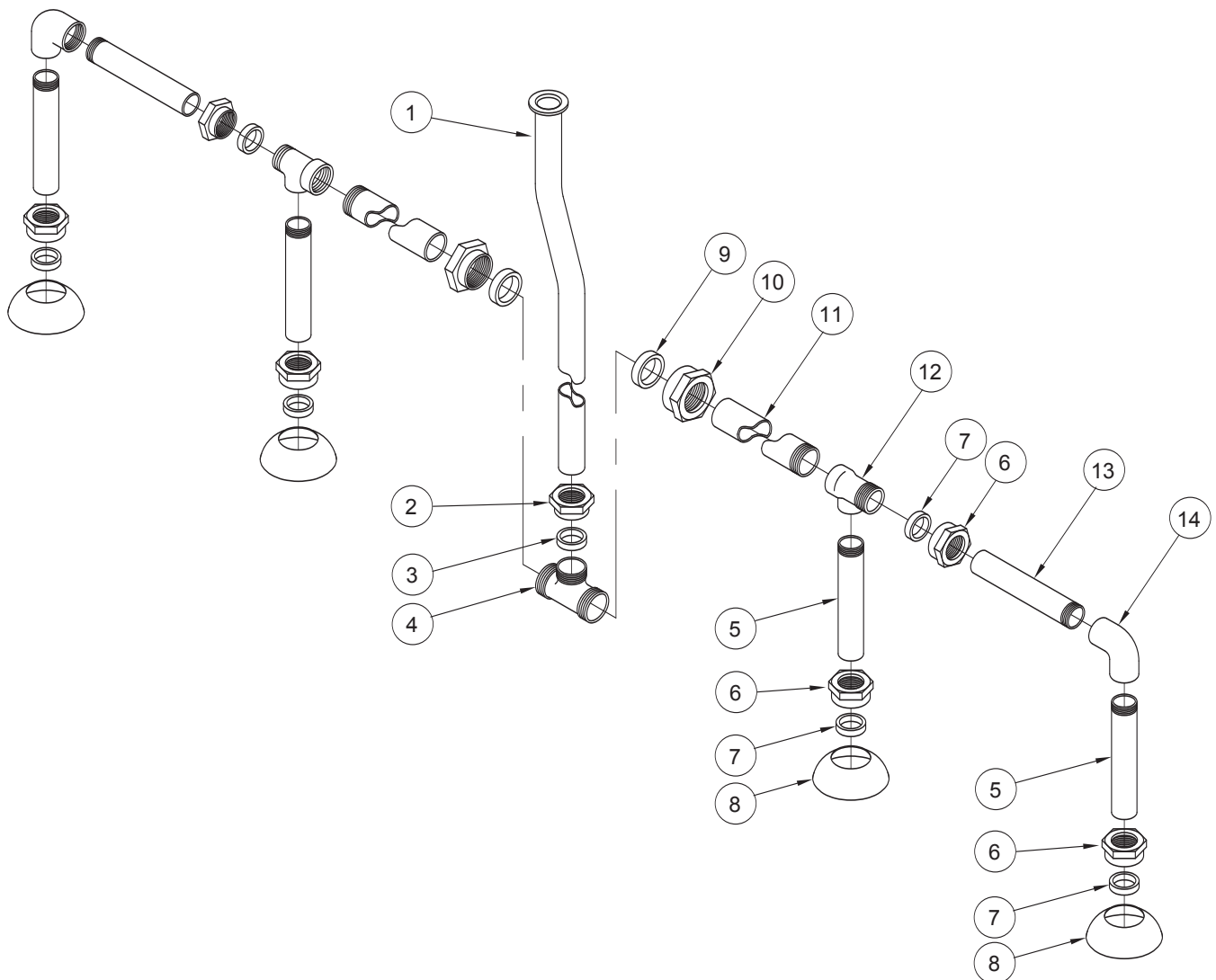


*Dimensions shown in inches (mm) are for reference only and are subject to change.*

**Ordering Code:**

**P4504**

#	Description	Part #
1	Offset Down Pipe w/ Collar	351032
2	Union Nut	300317
3	Gasket	301405
4	Tee	301401
5	Supply Tube	301398
6	Union Nut	300796
7	Gasket	301253
8	Escutcheon	300232
9	Gasket	301391
10	Union Nut	301389
11	Cross Tube	301406
12	Tee	301402
13	Cross Tube	301399
14	Elbow	301397



# P4505 Flush Pipe Assy, Exposed, 5 Units

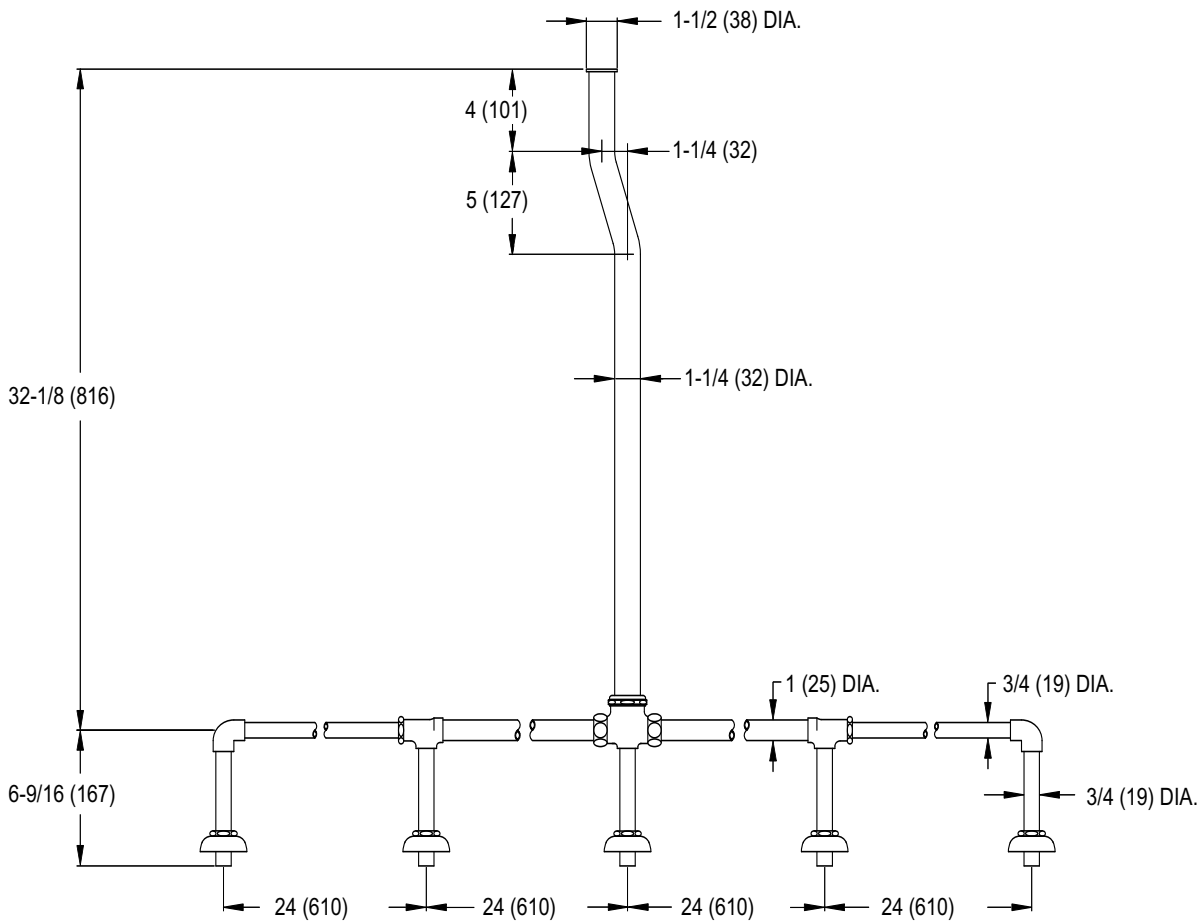


**P4505 Specification:** Commercial grade exposed flush pipe assembly for use with exposed urinal tank, and five top inlet urinals. All exposed surfaces include a resilient polished chrome plated finish.



**Shipping Weight** ..... 8.3 Lbs (3.8 Kg)

**P4505 Model Shown**

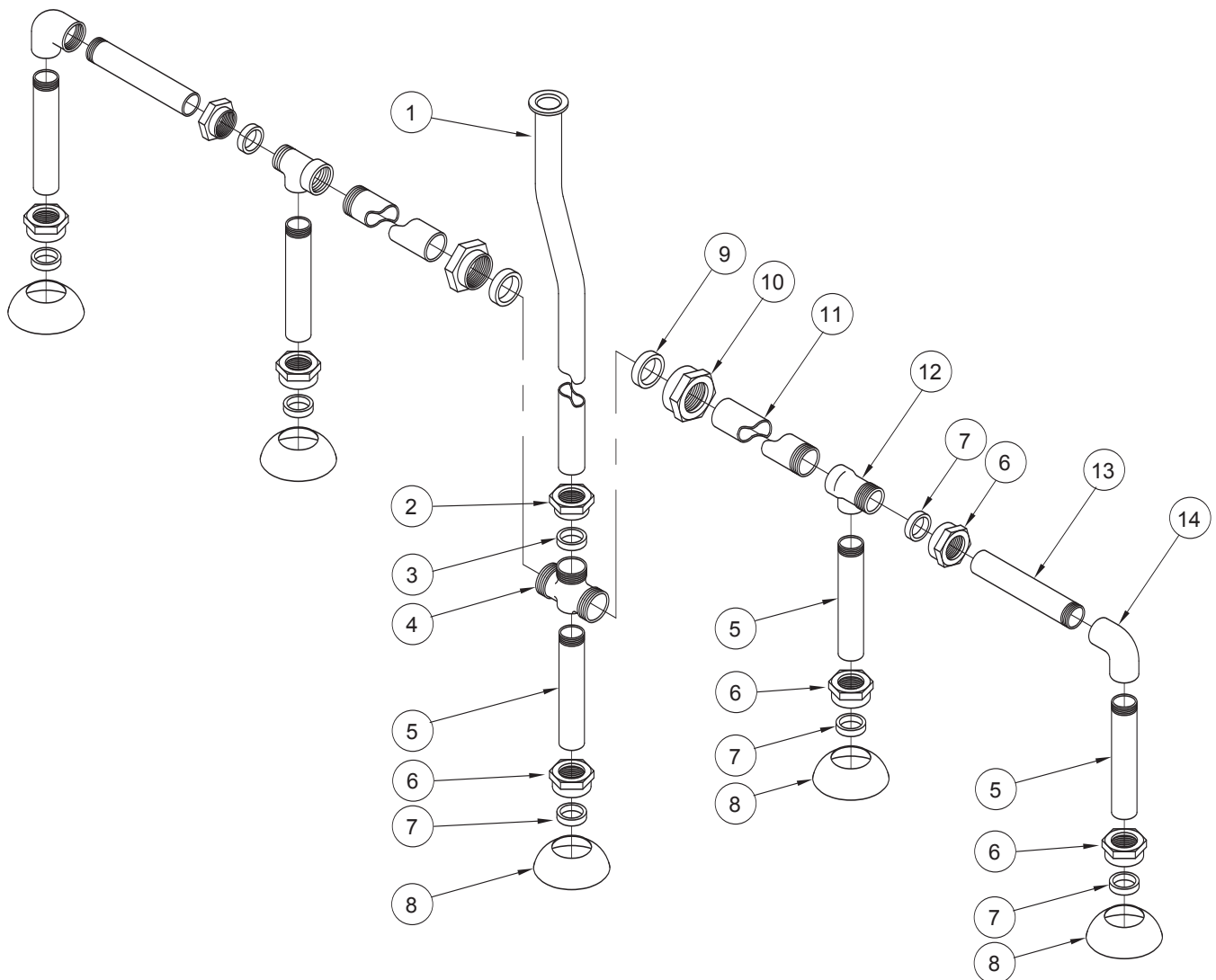


Dimensions shown in inches (mm) are for reference only and are subject to change.

**Ordering Code:**

**P4505**

#	Description	Part #
1	Offset Down Pipe w/ Collar	351032
2	Union Nut	300317
3	Gasket	301405
4	Cross	301393
5	Supply Tube	301398
6	Union Nut	300796
7	Gasket	301253
8	Escutcheon	300232
9	Gasket	301391
10	Union Nut	301389
11	Cross Tube	301407
12	Tee	301402
13	Cross Tube	301399
14	Elbow	301397



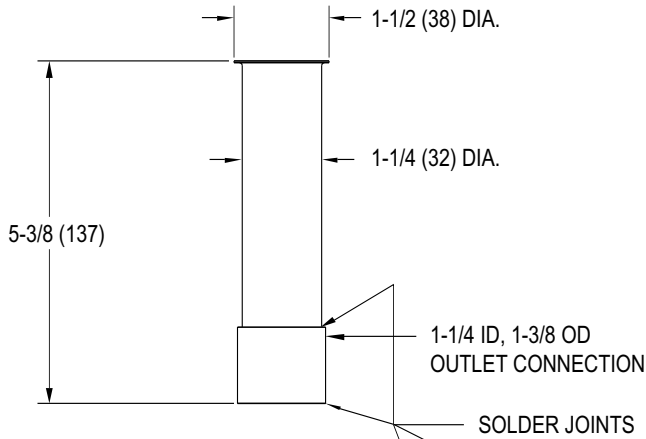
# P4511 Flush Pipe Assembly, 1 Unit



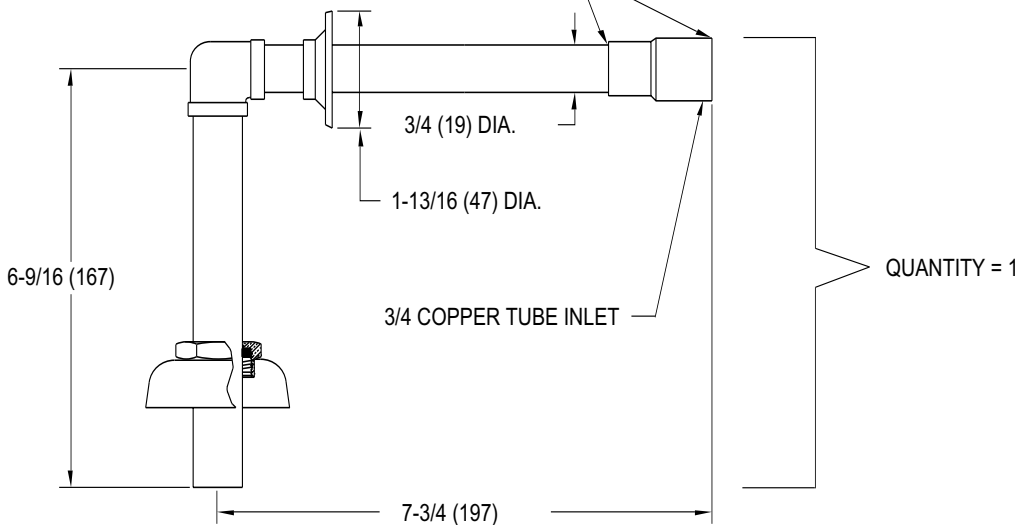
**P4511 Specification:** Commercial grade flush pipe assembly for use with concealed urinal tank, and one top inlet urinal. All exposed surfaces include a resilient polished chrome plated finish.



**Shipping Weight** ..... 1.0 Lbs (0.4 Kg)



**P4511 Model Shown**



*Dimensions shown in inches (mm) are for reference only and are subject to change.*

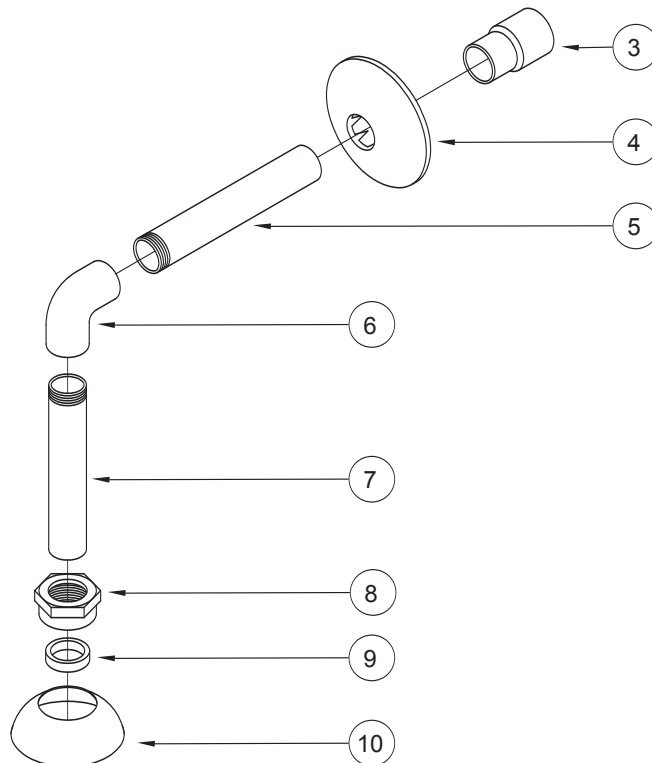
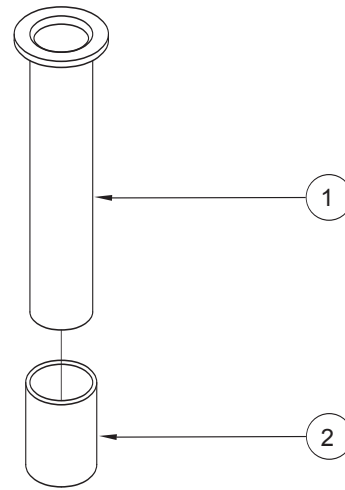


**Ordering Code:**

**P4511**



#	Description	Part #
1	Down Pipe	311129
2	Solder Adaptor	311123
3	Solder Adaptor	311128
4	Wall Flange	311131
5	Horizontal Supply Tube	311132
6	Elbow	301397
7	Vertical Supply Tube	311119
8	Union Nut	300796
9	Slip Joint Washer	311125
10	Escutcheon	300232



# P4512 Flush Pipe Assembly, 2 Units



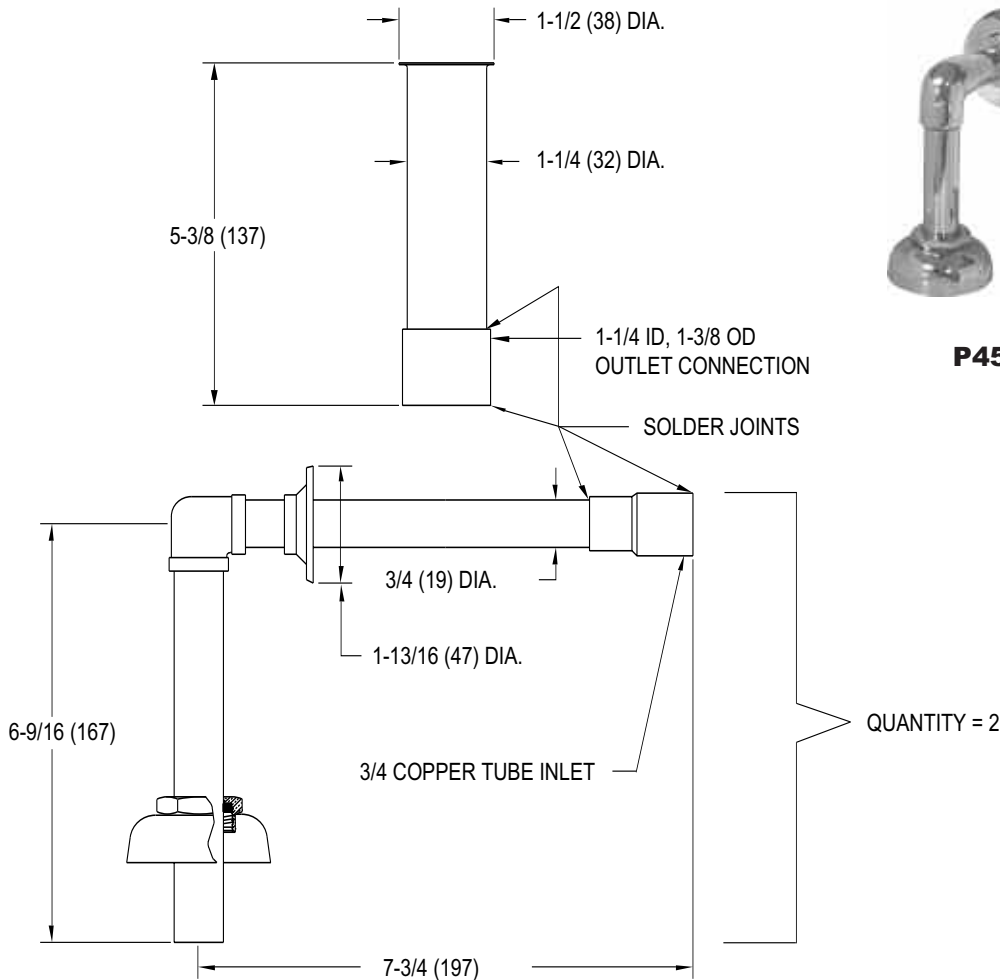
**P4512 Specification:** Commercial grade flush pipe assembly for use with concealed urinal tank, and two top inlet urinals. All exposed surfaces include a resilient polished chrome plated finish.



**Shipping Weight** ..... 2.1 Lbs (0.9 Kg)



**P4512 Model Shown**



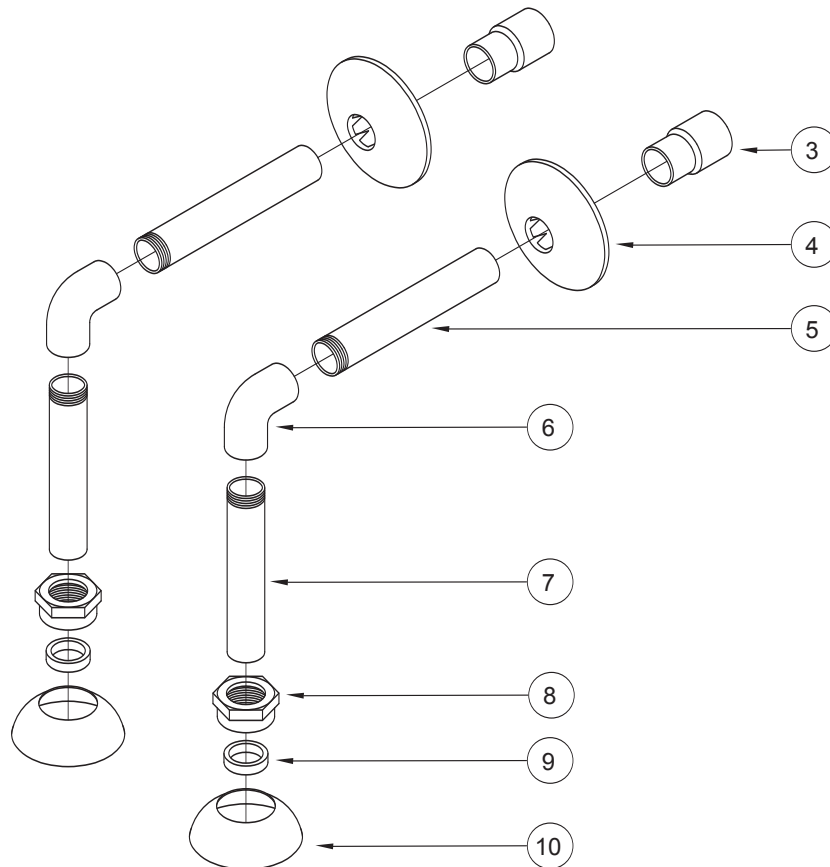
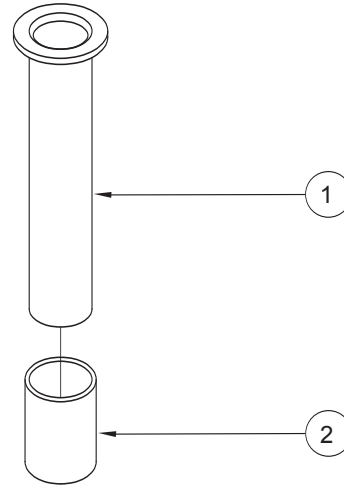
*Dimensions shown in inches (mm) are for reference only and are subject to change.*



**Ordering Code:**

**P4512**

#	Description	Part #
1	Down Pipe	311129
2	Solder Adaptor	311123
3	Solder Adaptor	311128
4	Wall Flange	311131
5	Horizontal Supply Tube	311132
6	Elbow	301397
7	Vertical Supply Tube	311119
8	Union Nut	300796
9	Slip Joint Washer	311125
10	Escutcheon	300232



# P4513 Flush Pipe Assembly, 3 Units

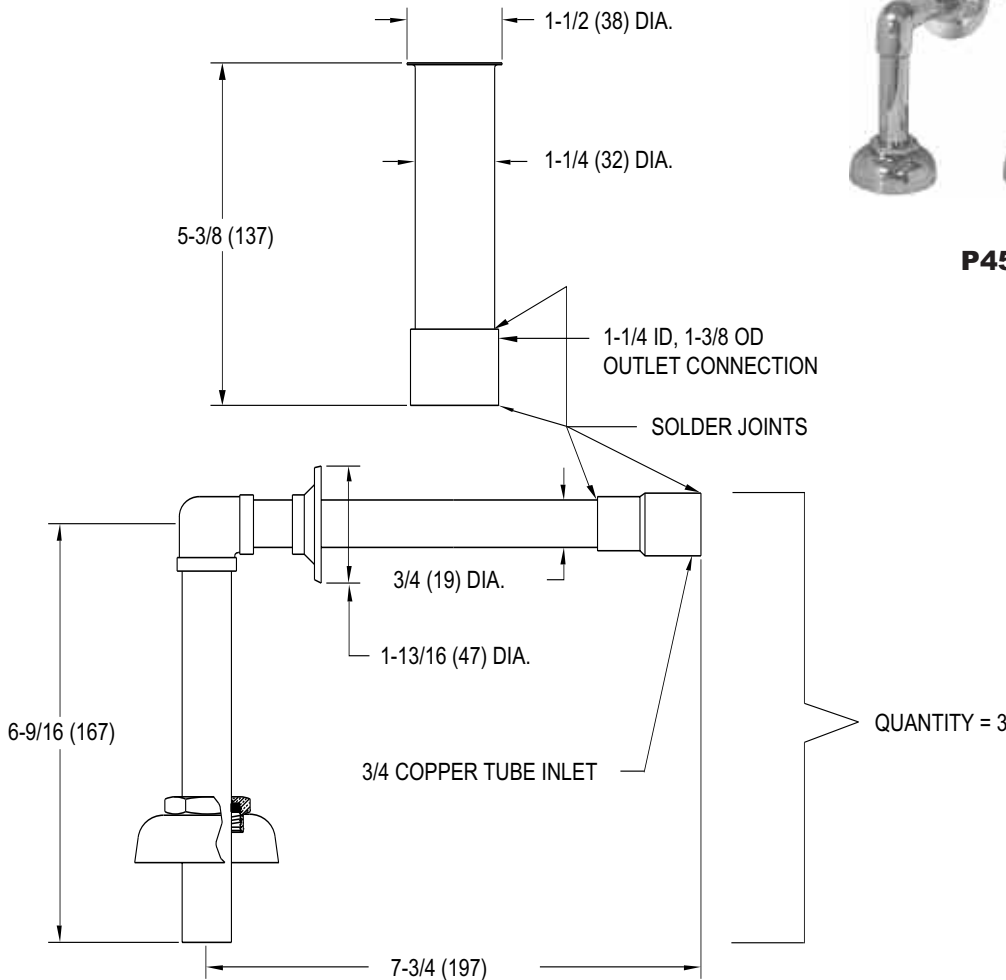


**P4513 Specification:** Commercial grade flush pipe assembly for use with concealed tank and three top inlet urinals. All exposed surfaces include a resilient polished chrome plated finish.

**Shipping Weight** ..... 2.8 Lbs (1.3 Kg)



**P4513 Model Shown**



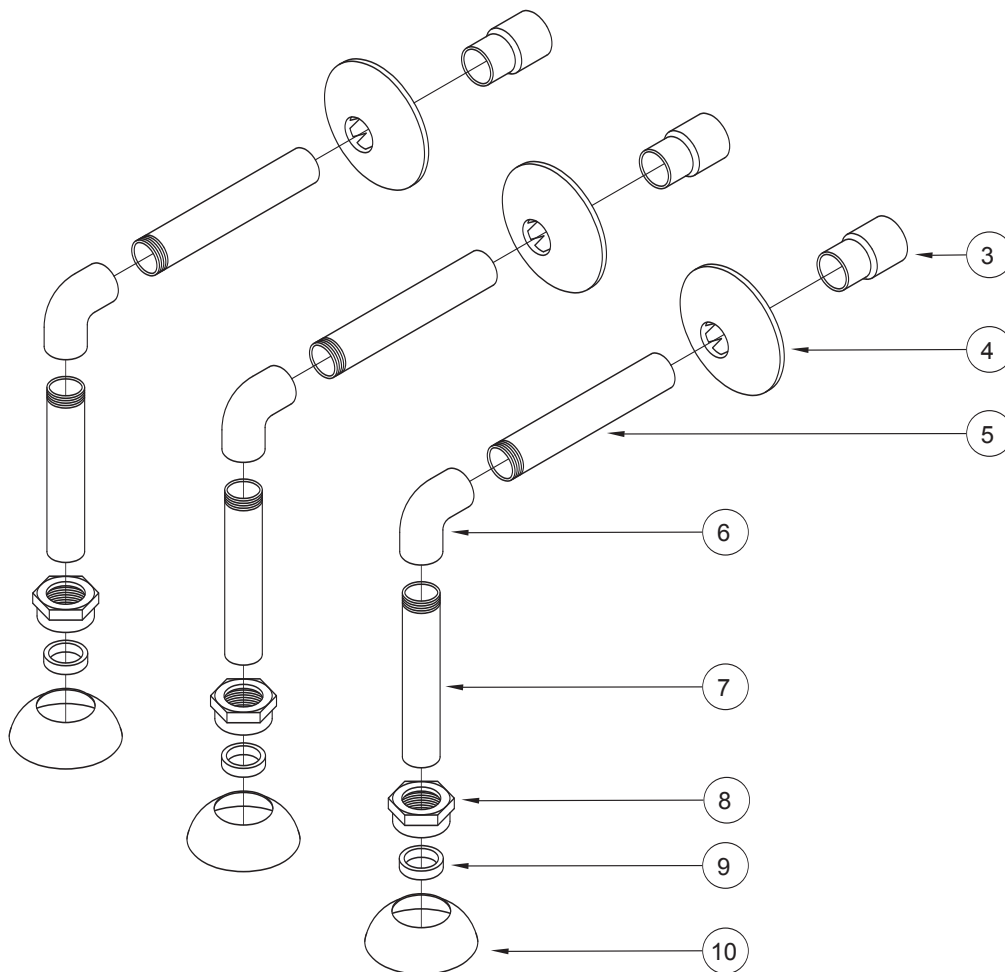
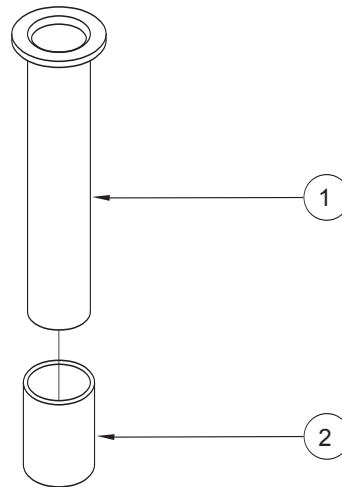
*Dimensions shown in inches (mm) are for reference only and are subject to change.*



**Ordering Code:**

**P4513**

#	Description	Part #
1	Down Pipe	311129
2	Solder Adaptor	311123
3	Solder Adaptor	311128
4	Wall Flange	311131
5	Horizontal Supply Tube	311132
6	Elbow	301397
7	Vertical Supply Tube	311119
8	Union Nut	300796
9	Slip Joint Washer	311125
10	Escutcheon	300232



# P4514 Flush Pipe Assembly, 4 Units



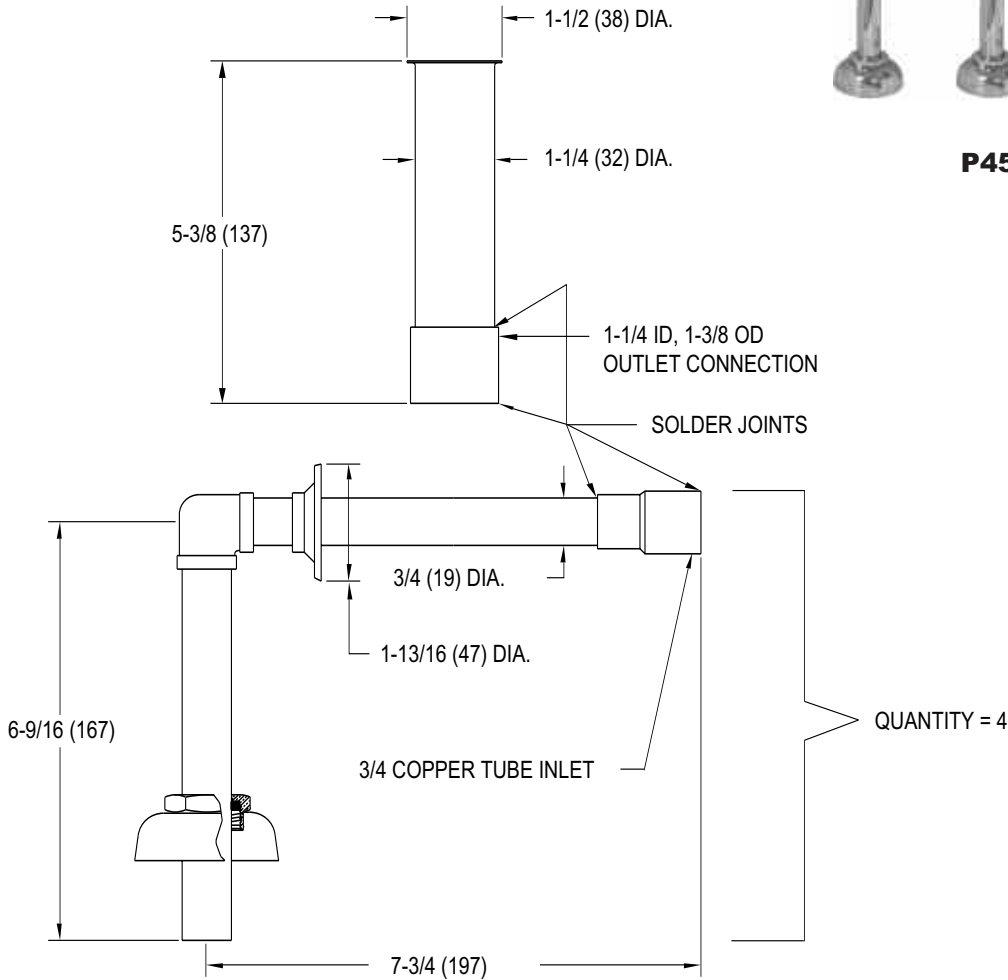
**P4514 Specification:** Commercial grade flush pipe assembly for use with concealed urinal tank, and four top inlet urinals. All exposed surfaces include a resilient polished chrome plated finish.



**Shipping Weight** ..... 3.7 Lbs (1.7 Kg)



**P4514 Model Shown**



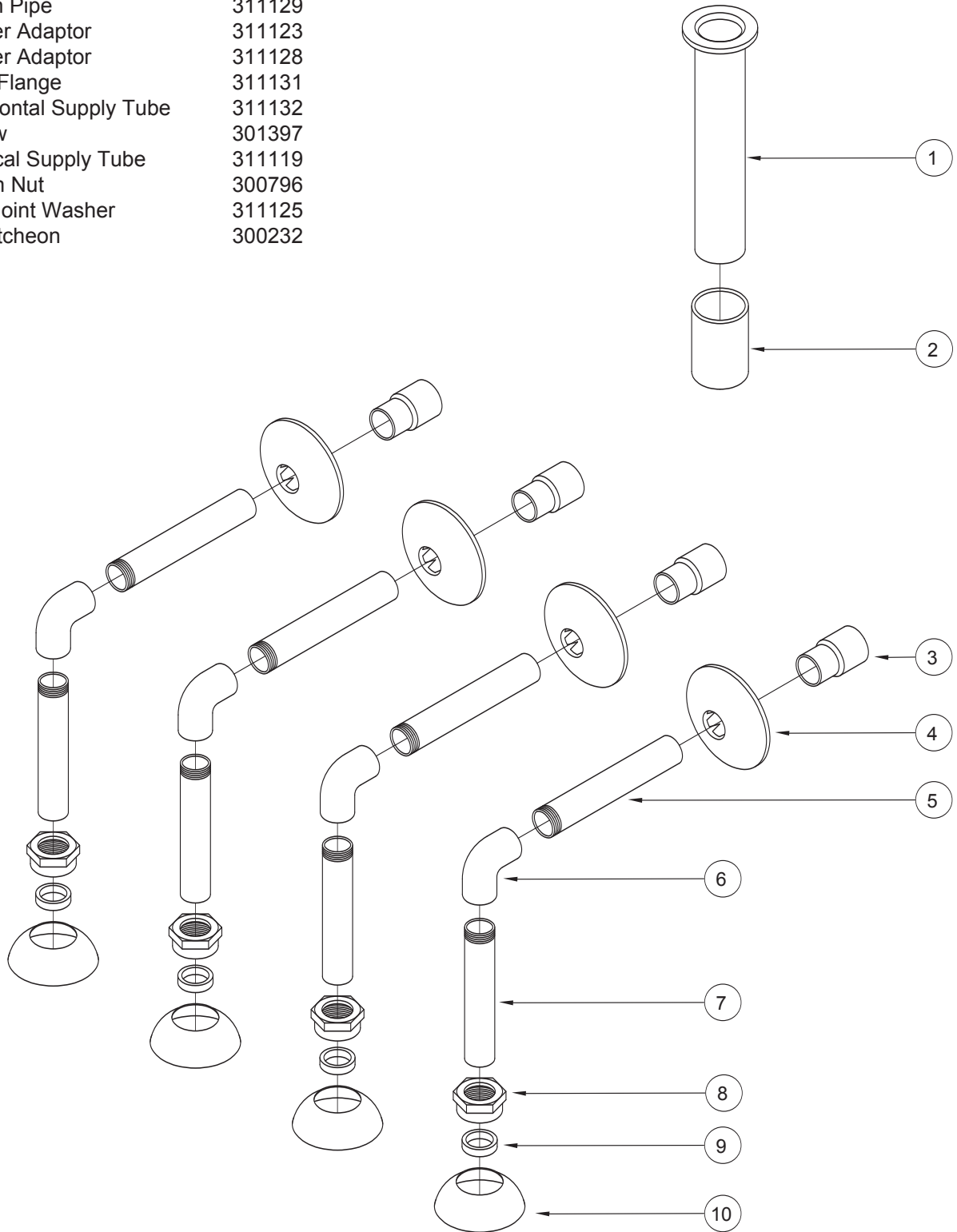
*Dimensions shown in inches (mm) are for reference only and are subject to change.*



**Ordering Code:**

**P4514**

#	Description	Part #
1	Down Pipe	311129
2	Solder Adaptor	311123
3	Solder Adaptor	311128
4	Wall Flange	311131
5	Horizontal Supply Tube	311132
6	Elbow	301397
7	Vertical Supply Tube	311119
8	Union Nut	300796
9	Slip Joint Washer	311125
10	Escutcheon	300232



# P4521 Flush Pipe Assy, Concealed, 1 Unit

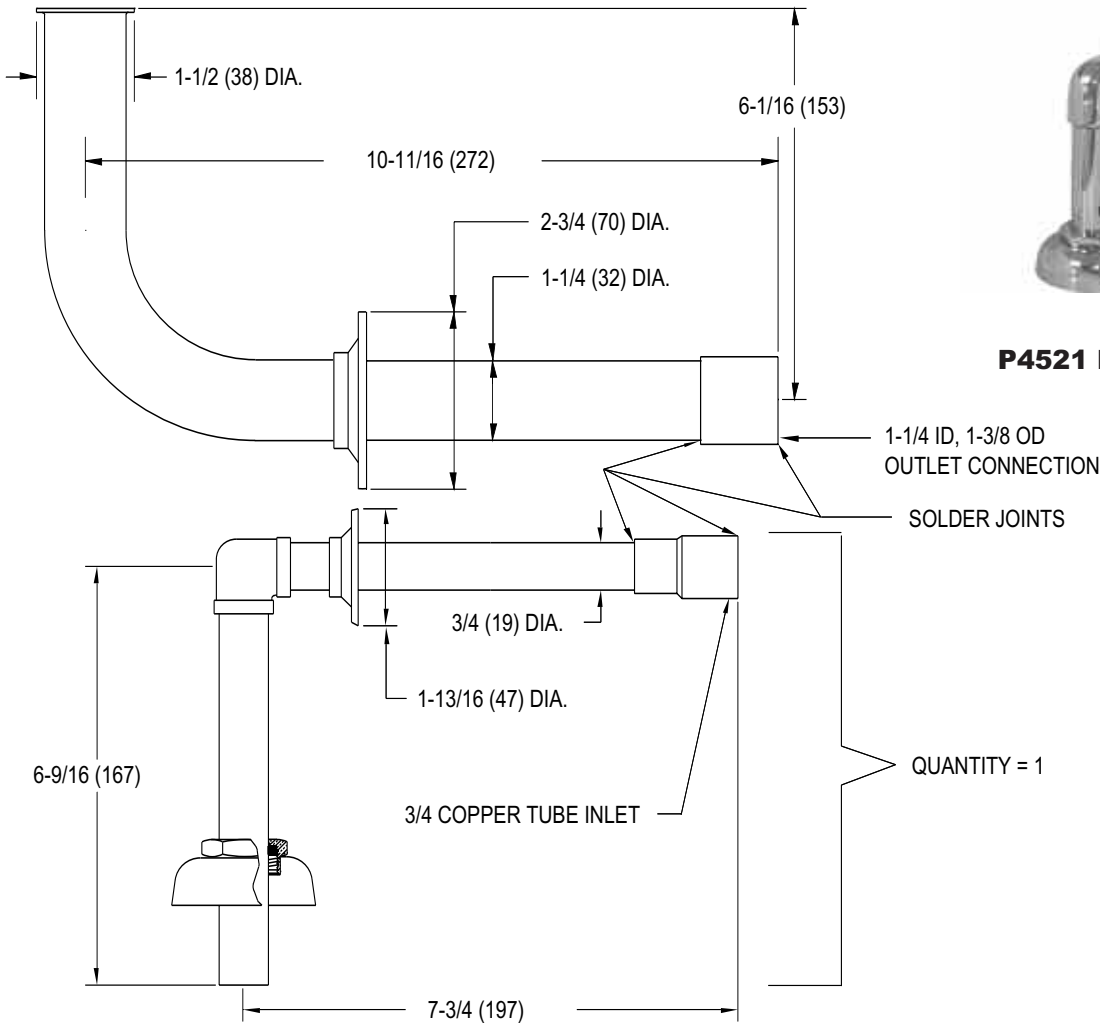


**P4521 Specification:** Commercial grade flush pipe assembly for use with exposed flush tank, and one top inlet urinal. All exposed surfaces include a resilient polished chrome plated finish.

**Shipping Weight** ..... 1.7 Lbs (0.8 Kg)



**P4521 Model Shown**



*Dimensions shown in inches (mm) are for reference only and are subject to change.*

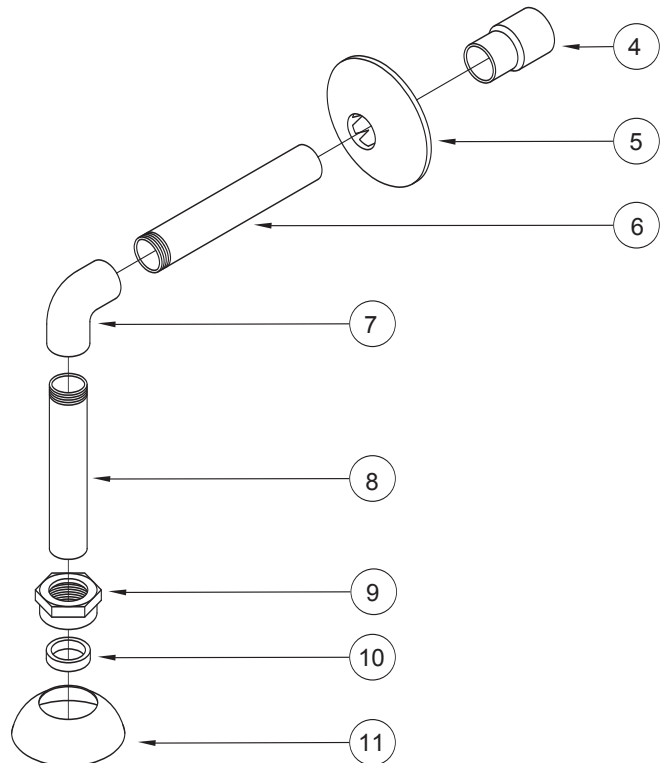
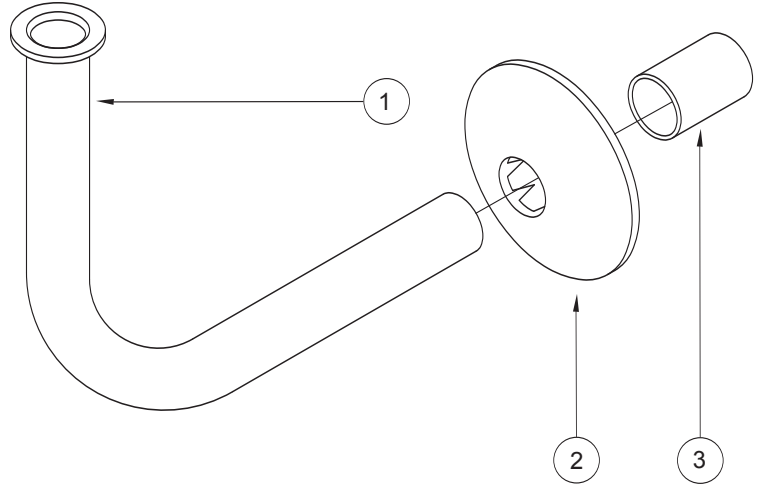
**Ordering Code:**

**P4521**





#	Description	Part #
1	Down Pipe	311122
2	Wall Flange w/ Set Screw	311124
3	Solder Adaptor	311123
4	Solder Adaptor	311128
5	Wall Flange	311131
6	Horizontal Supply Tube	311132
7	Elbow	301397
8	Vertical Supply Tube	311119
9	Union Nut	300796
10	Slip Joint Washer	311125
11	Escutcheon	300232



# P4522 Flush Pipe Assy, Concealed, 2 Units

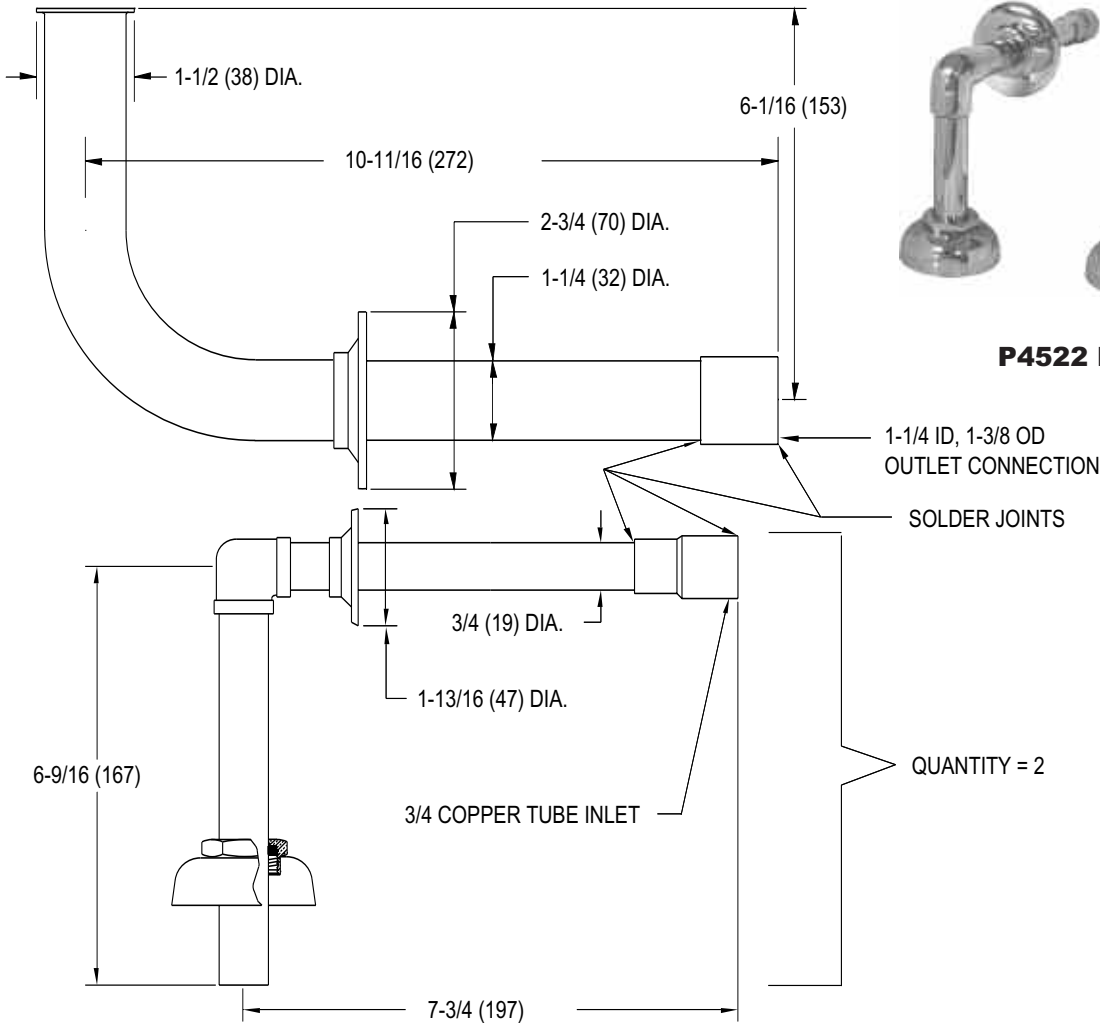


**P4522 Specification:** Commercial grade flush pipe assembly for use with exposed flush tank, and two top inlet urinals. All exposed surfaces include a resilient polished chrome plated finish.

**Shipping Weight** ..... 2.7 Lbs (1.2 Kg)



**P4522 Model Shown**



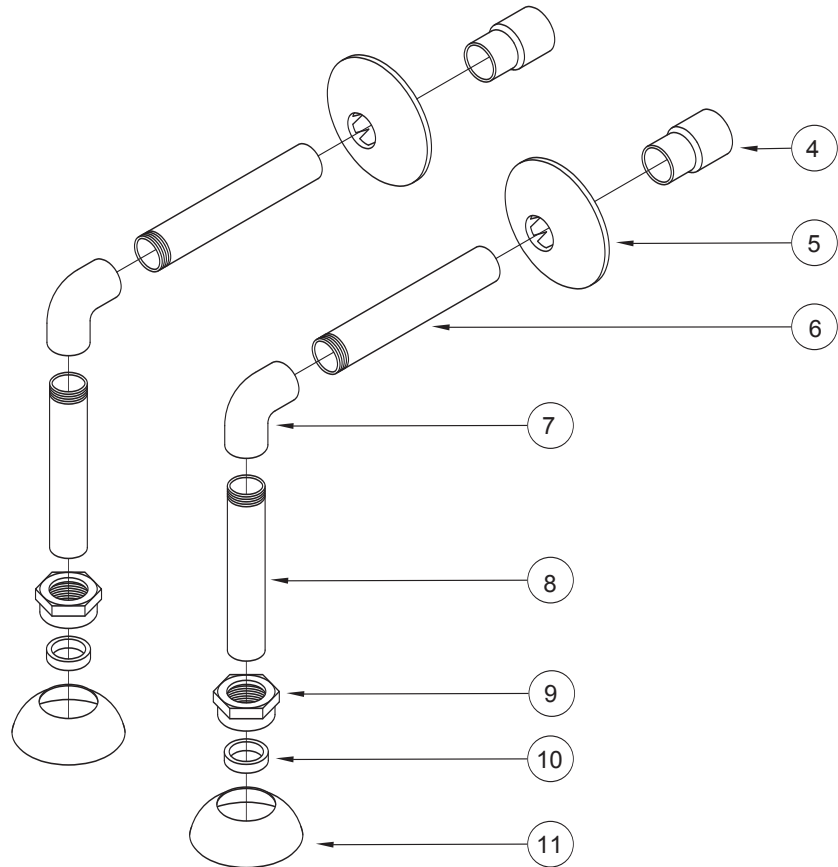
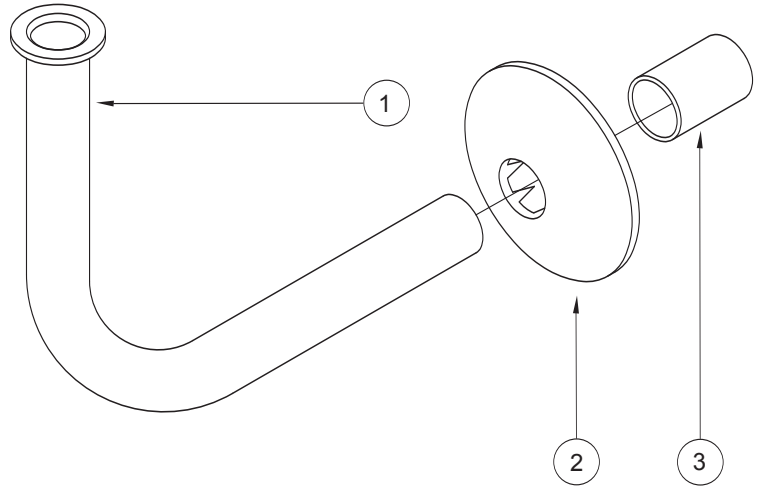
*Dimensions shown in inches (mm) are for reference only and are subject to change.*



**Ordering Code:**

**P4522**

#	Description	Part #
1	Down Pipe	311122
2	Wall Flange w/ Set Screw	311124
3	Solder Adaptor	311123
4	Solder Adaptor	311128
5	Wall Flange	311131
6	Horizontal Supply Tube	311132
7	Elbow	301397
8	Vertical Supply Tube	311119
9	Union Nut	300796
10	Slip Joint Washer	311125
11	Escutcheon	300232

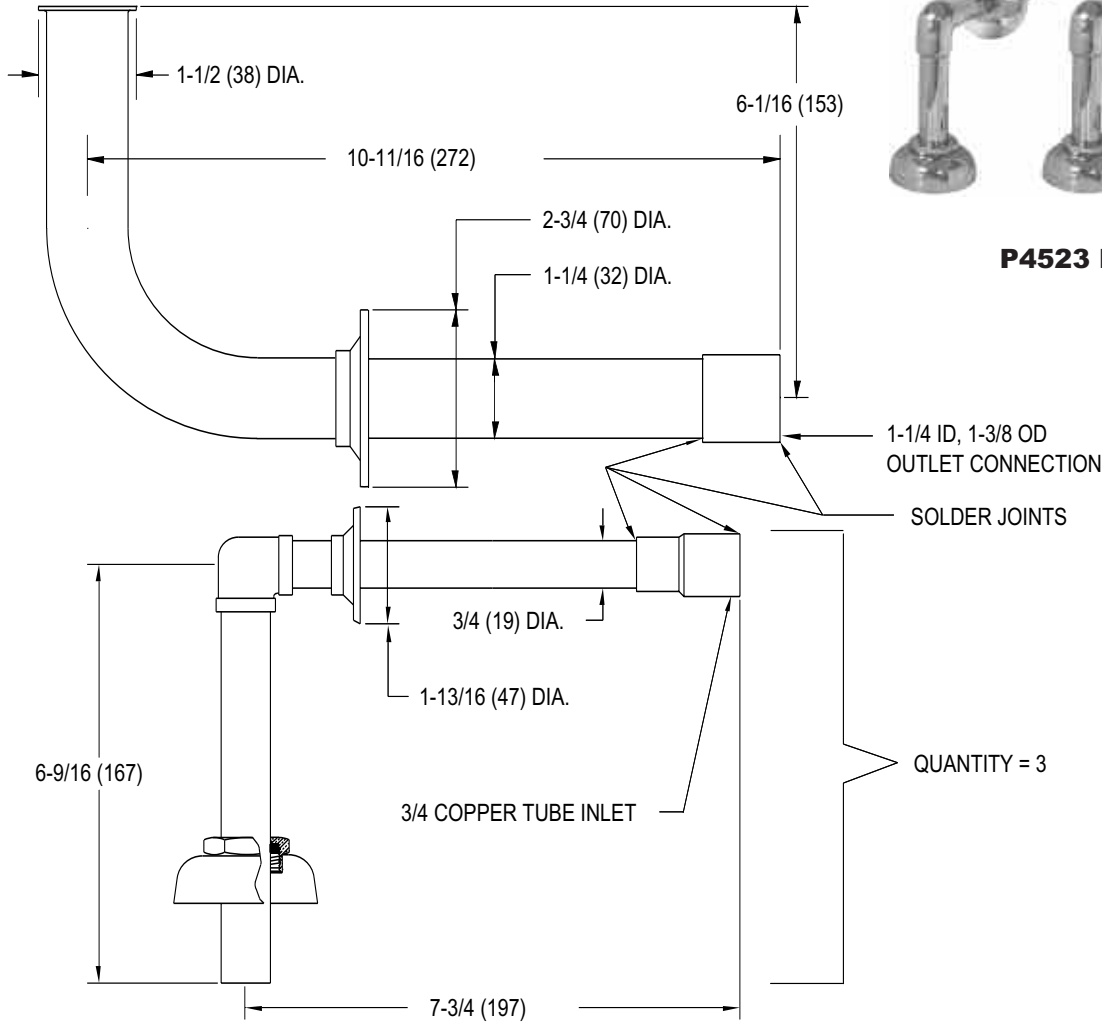


# P4523 Flush Pipe Assy, Concealed, 3 Units



**P4523 Specification:** Commercial grade flush pipe assembly for use with exposed flush tank, and three top inlet urinals. All exposed surfaces include a resilient polished chrome plated finish.

**Shipping Weight** ..... 3.5 Lbs (1.6 Kg)



**P4523 Model Shown**

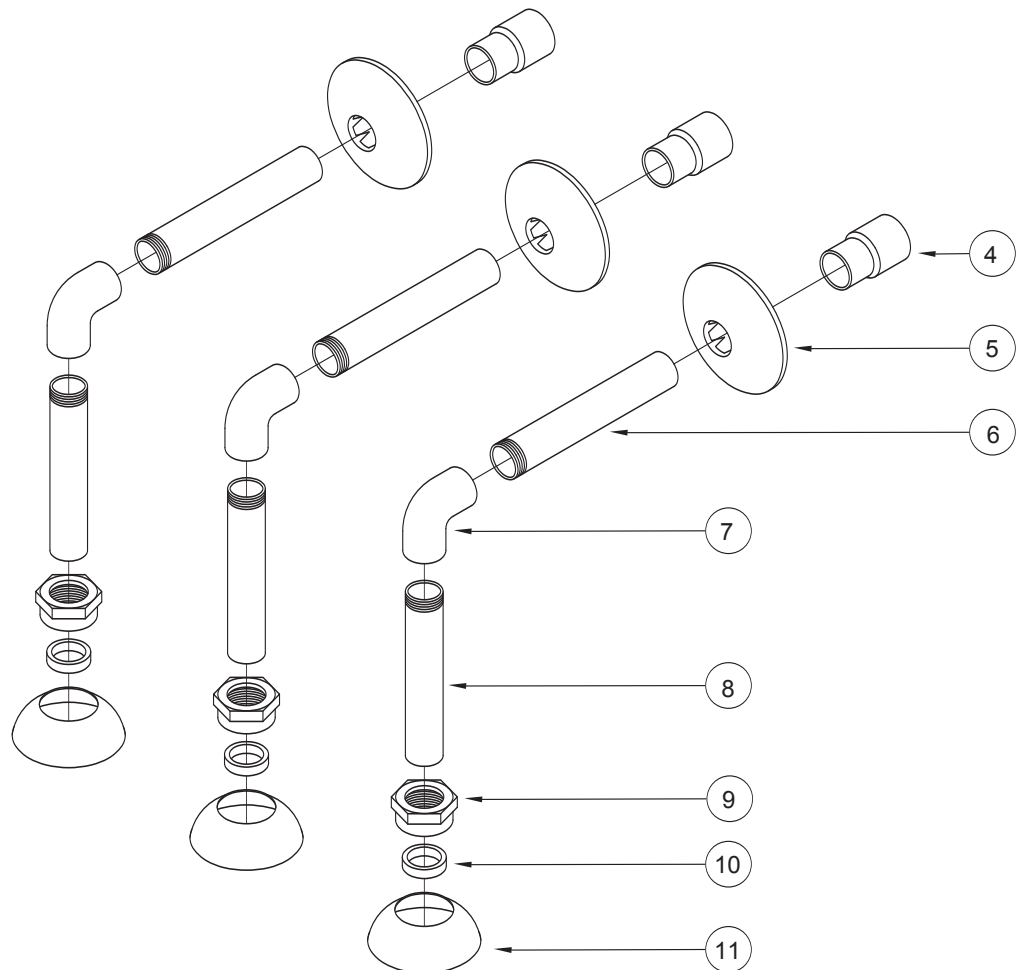
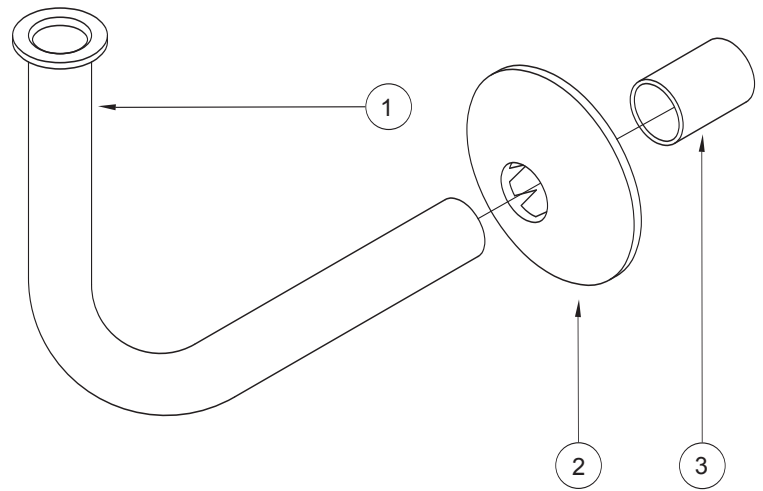
*Dimensions shown in inches (mm) are for reference only and are subject to change.*

**Ordering Code:**

**P4523**



#	Description	Part #
1	Down Pipe	311122
2	Wall Flange w/ Set Screw	311124
3	Solder Adaptor	311123
4	Solder Adaptor	311128
5	Wall Flange	311131
6	Horizontal Supply Tube	311132
7	Elbow	301397
8	Vertical Supply Tube	311119
9	Union Nut	300796
10	Slip Joint Washer	311125
11	Escutcheon	300232



# P4524 Flush Pipe Assy, Concealed, 4 Units

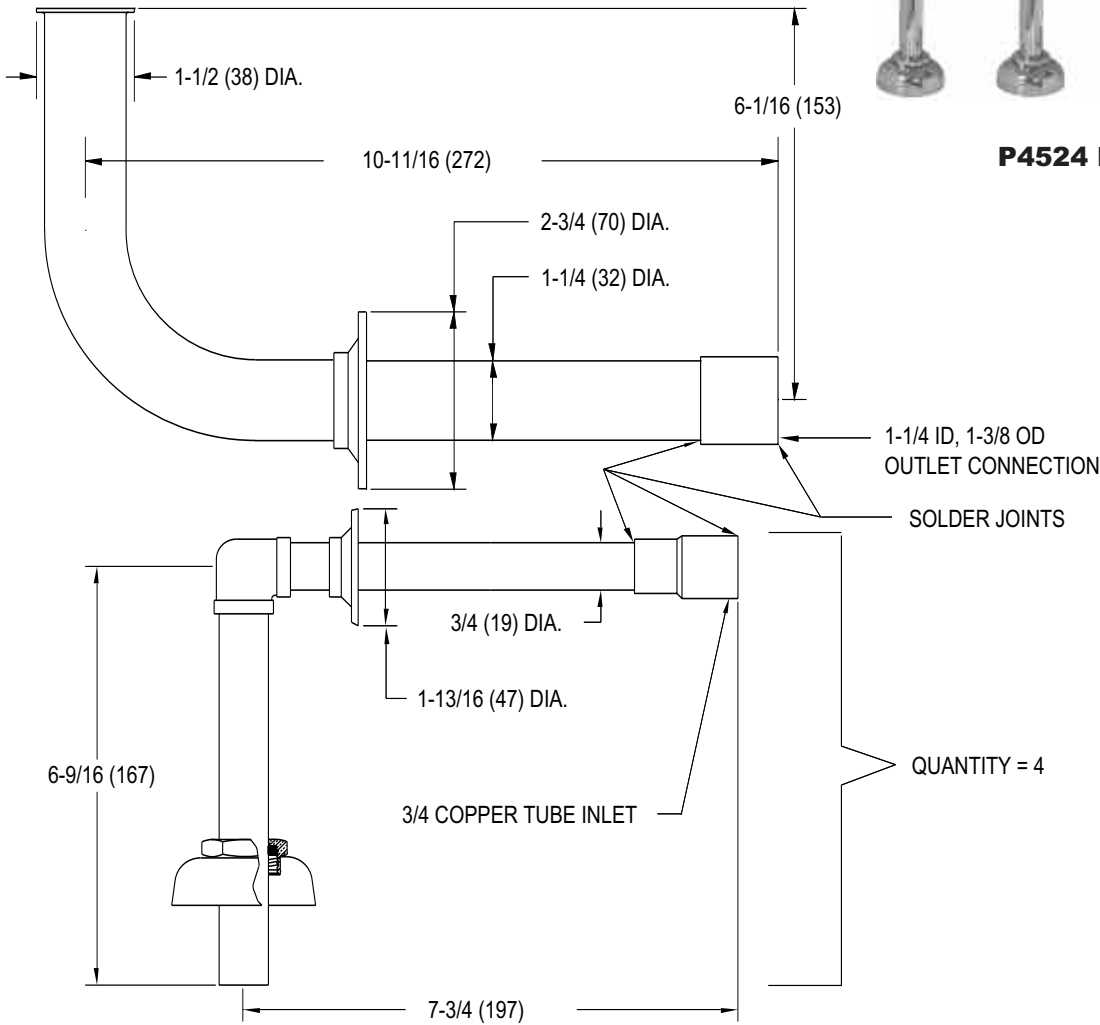


**P4524 Specification:** Commercial grade flush pipe assembly for use with exposed flush tank, and four top inlet urinals. All exposed surfaces include a resilient polished chrome plated finish.

**Shipping Weight** ..... 4.5 Lbs (2.0 Kg)



**P4524 Model Shown**



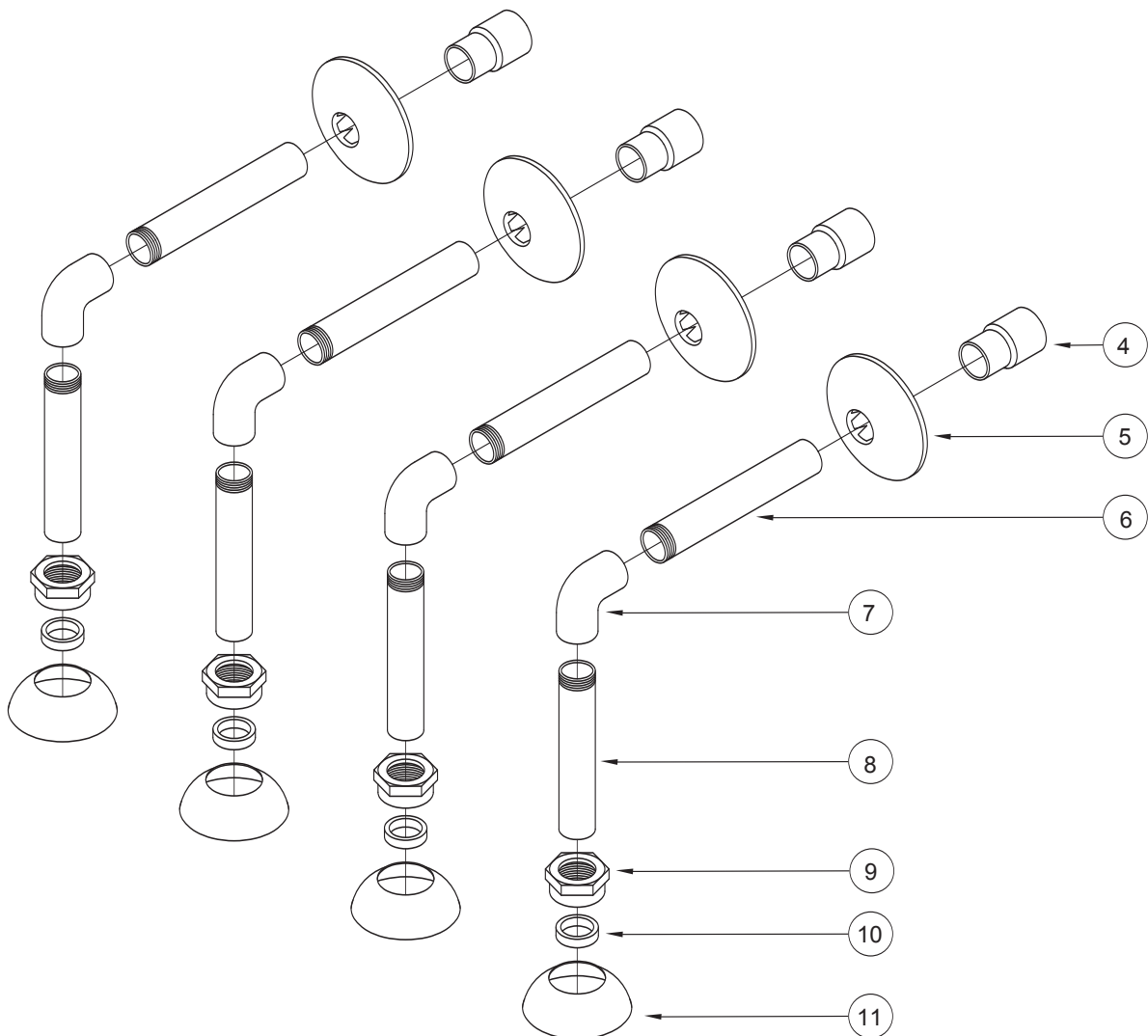
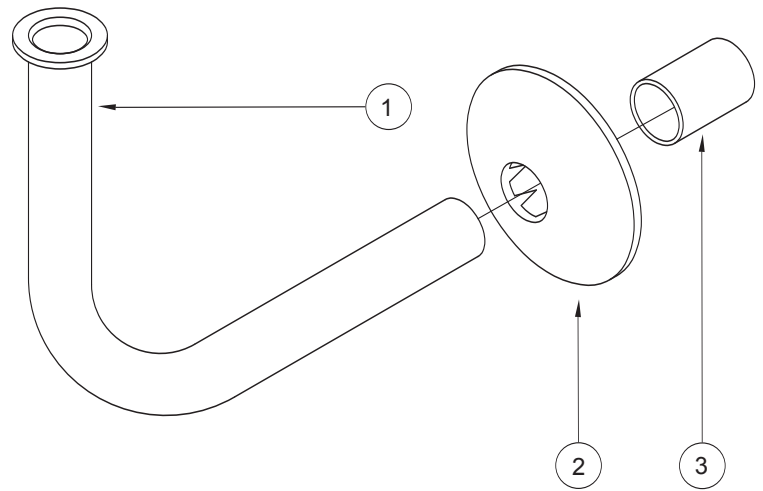
*Dimensions shown in inches (mm) are for reference only and are subject to change.*



**Ordering Code:**

**P4524**

#	Description	Part #
1	Down Pipe	311122
2	Wall Flange w/ Set Screw	311124
3	Solder Adaptor	311123
4	Solder Adaptor	311128
5	Wall Flange	311131
6	Horizontal Supply Tube	311132
7	Elbow	301397
8	Vertical Supply Tube	311119
9	Union Nut	300796
10	Slip Joint Washer	311125
11	Escutcheon	300232



# P4532 Flush Pipe Assy, Concealed, 2 Units

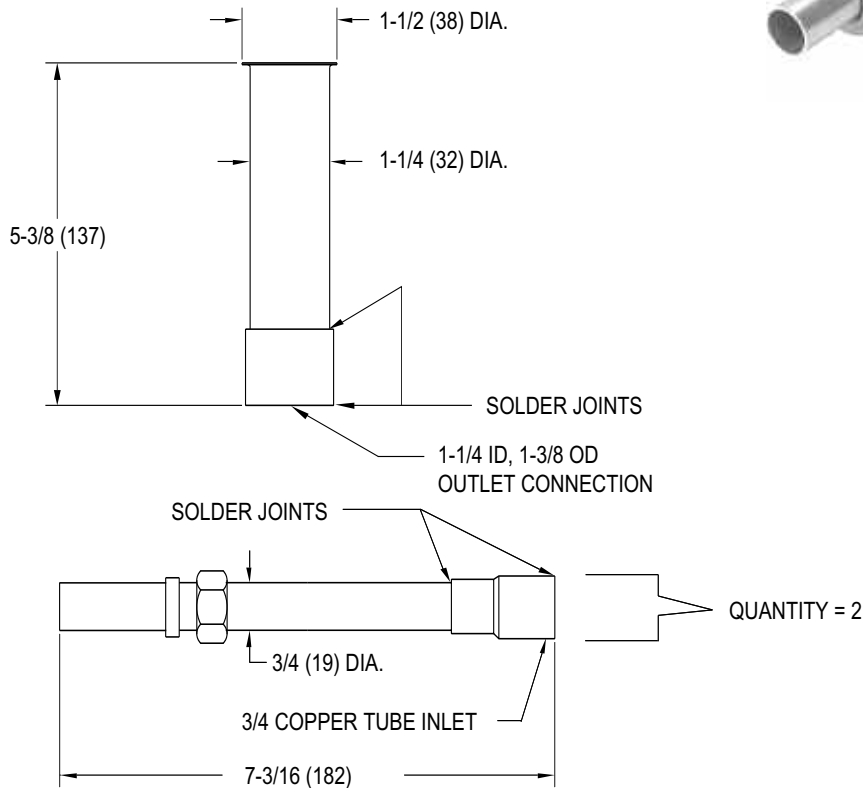


**P4532 Specification:** Commercial grade flush pipe assembly for use with concealed flush tank, and two back inlet urinals. All exposed surfaces include a resilient polished chrome plated finish.

**Shipping Weight** ..... 1.2 Lbs (0.5 Kg)



**P4532 Model Shown**



*Dimensions shown in inches (mm) are for reference only and are subject to change.*

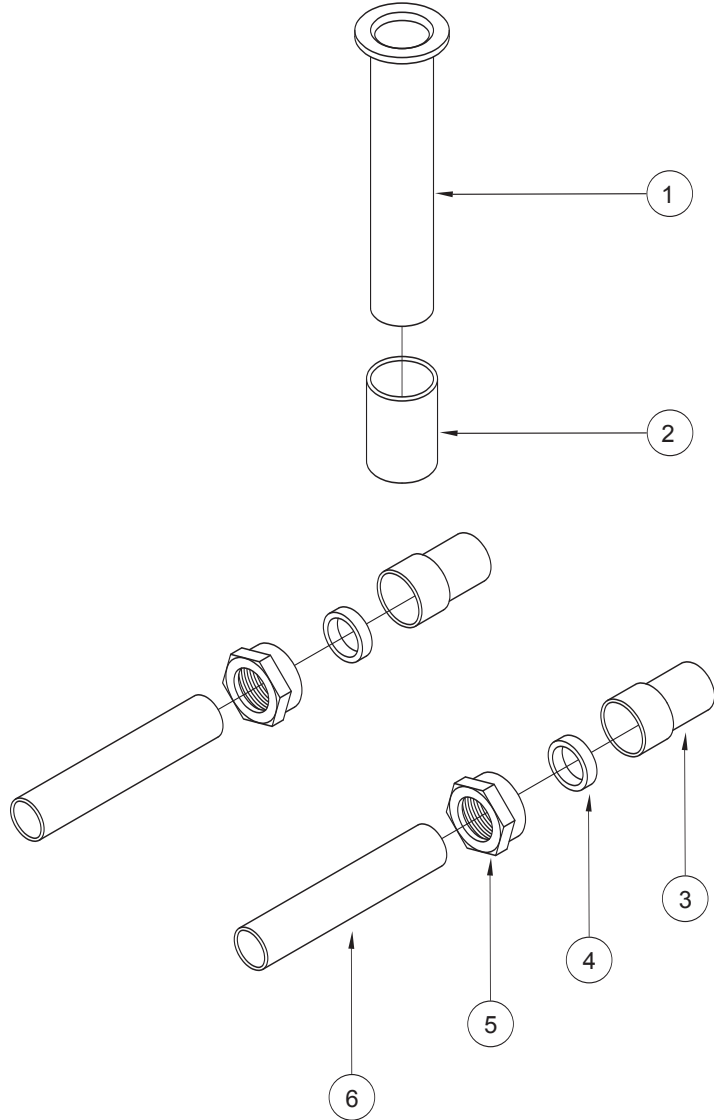


**Ordering Code:**

**P4532**



#	Description	Part #
1	Down Pipe	311129
2	Solder Adaptor	311123
3	Solder Adaptor	311128
4	Slip Joint Washer	311125
5	Union Nut	311126
6	Horizontal Supply Tube	311127



# P4541 Flush Pipe Assembly, 1 Unit

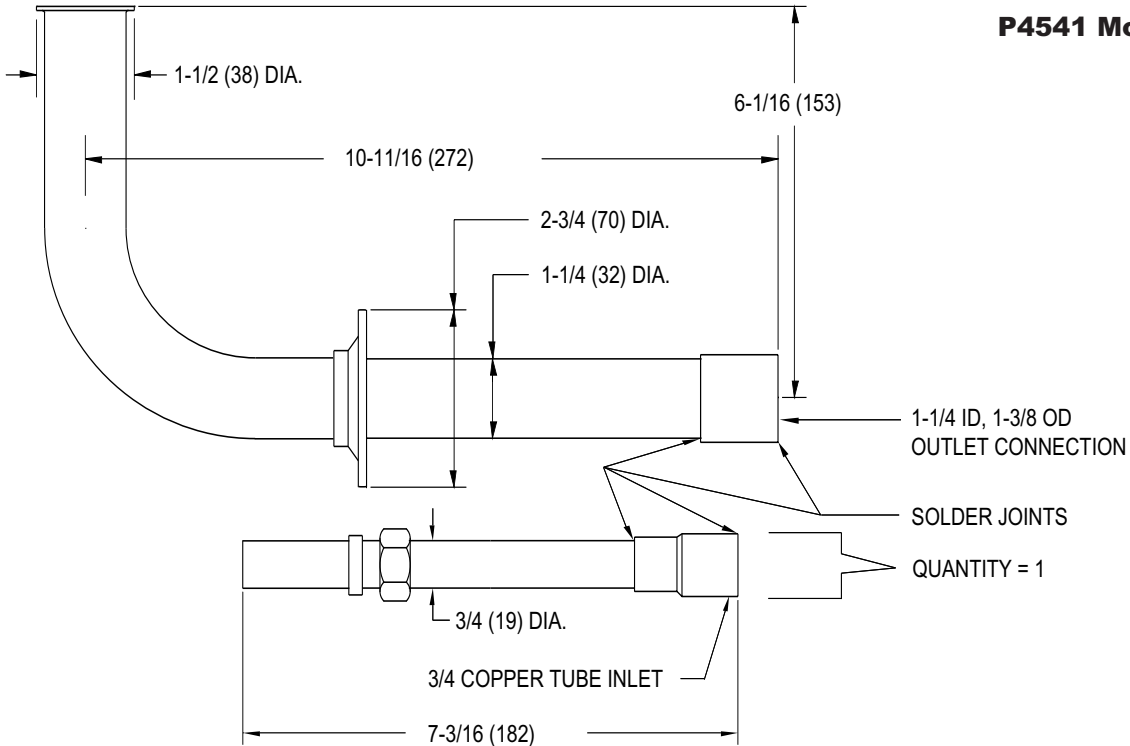


**P4541 Specification:** Commercial grade flush pipe assembly for use with exposed flush tank, and one back inlet urinal. All exposed surfaces include a resilient polished chrome plated finish.

**Shipping Weight** ..... 1.1 Lbs (0.5 Kg)



**P4541 Model Shown**



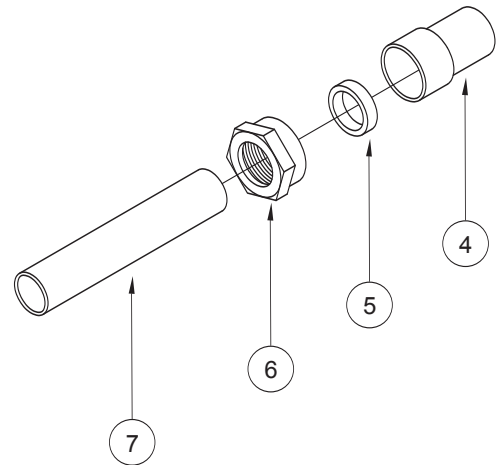
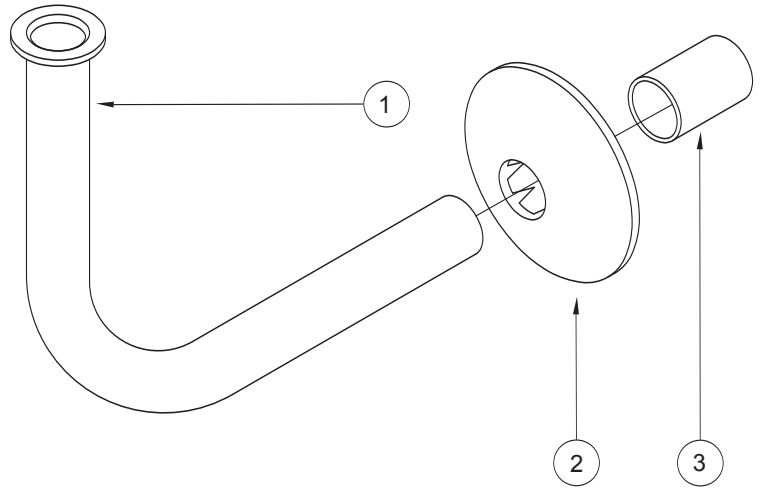
*Dimensions shown in inches (mm) are for reference only and are subject to change.*



**Ordering Code:**

**P4541**

#	Description	Part #
1	Down Pipe	311122
2	Wall Flange w/ Set Screw	311124
3	Solder Adaptor	311123
4	Solder Adaptor	311128
5	Slip Joint Washer	311125
6	Union Nut	311126
7	Horizontal Supply Tube	311127



# P4542 Flush Pipe Assembly, 2 Units

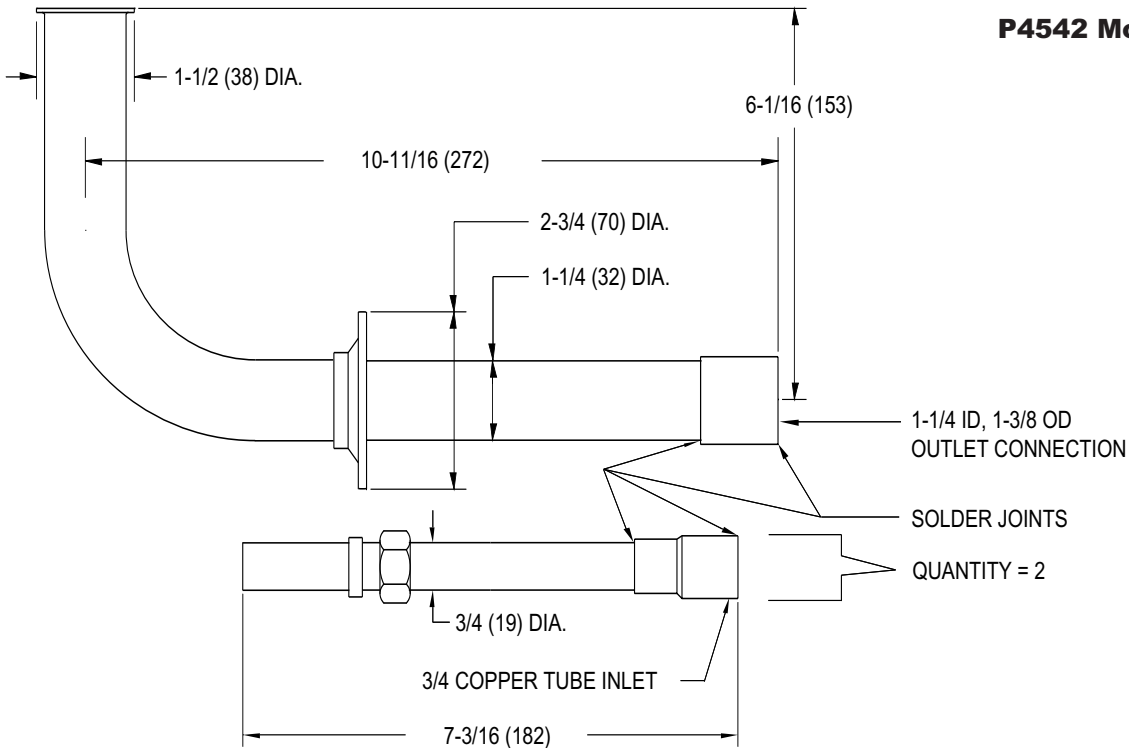


**P4542 Specification:** Commercial grade flush pipe assembly for use with exposed flush tank, and two back inlet urinals. All exposed surfaces include a resilient polished chrome plated finish.

**Shipping Weight** ..... 2.1 Lbs (0.9 Kg)



**P4542 Model Shown**



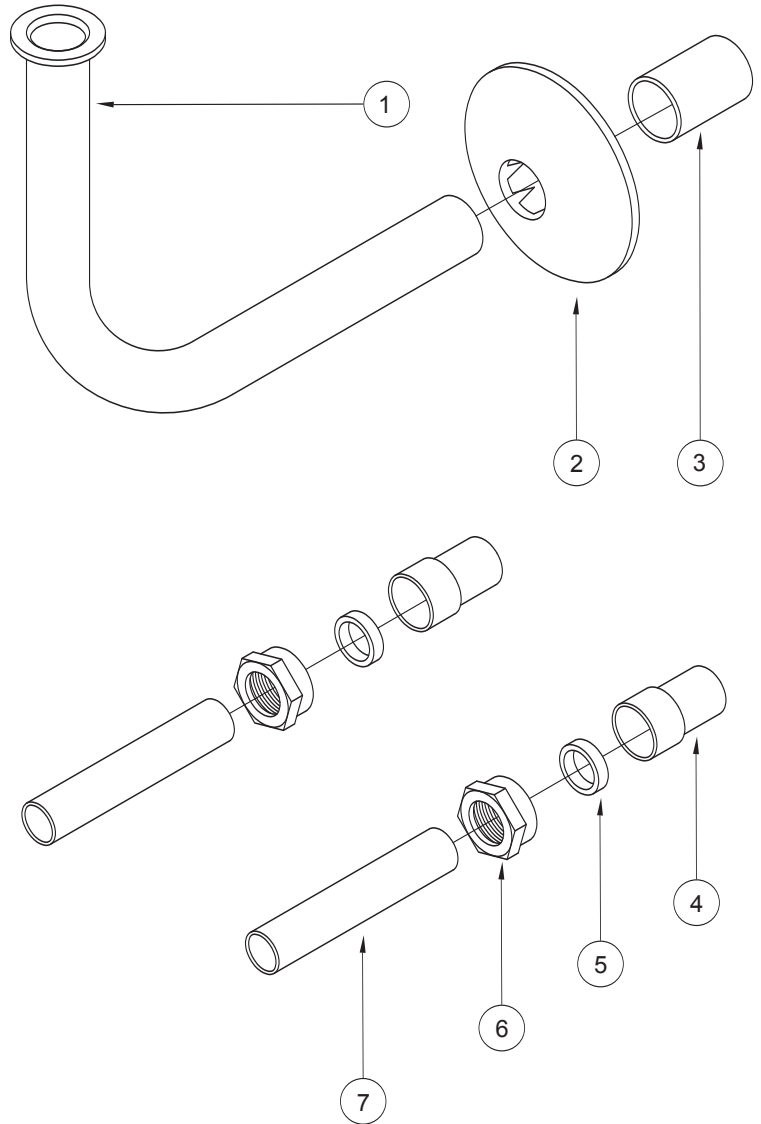
*Dimensions shown in inches (mm) are for reference only and are subject to change.*



**Ordering Code:**

**P4542**

#	Description	Part #
1	Down Pipe	311122
2	Wall Flange w/ Set Screw	311124
3	Solder Adaptor	311123
4	Solder Adaptor	311128
5	Slip Joint Washer	311125
6	Union Nut	311126
7	Horizontal Supply Tube	311127



# P4702 Shower Head, Rainbeau



**P4702 Specification:** Commercial grade cast brass shower head includes 2.5 GPM flow control, vandal resistant spray adjustment handle, and 1/2" NPT female inlet. All exposed surfaces have a resilient polished chrome plated finish.

**Maximum Flow Rates** ... 2.5 GPM @ 80 PSI (9.5 L/Min @ 550 KPa)

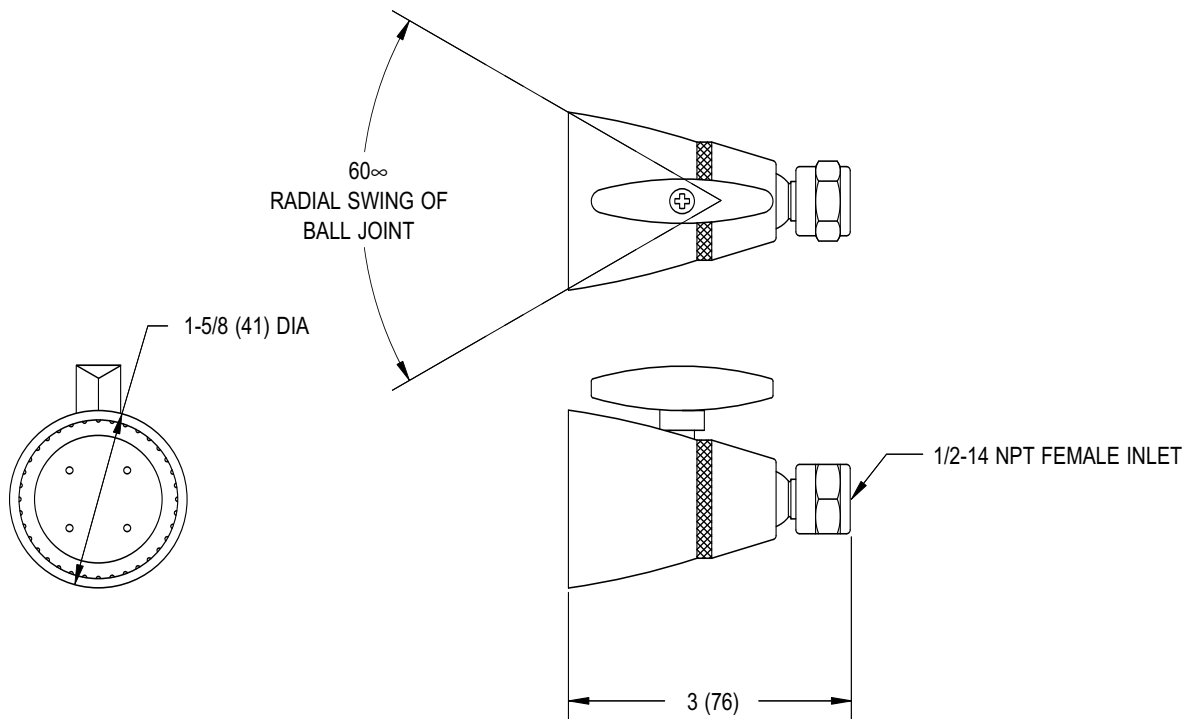
**Maximum Operating Pressure Rating** ..... 125 PSI (860 KPa)

**Maximum Operating Temperature Rating** ..... 65 C (150 F)

**Shipping Weight** ..... 0.7 Lbs (0.3 Kg)



**P4702 Model Shown**



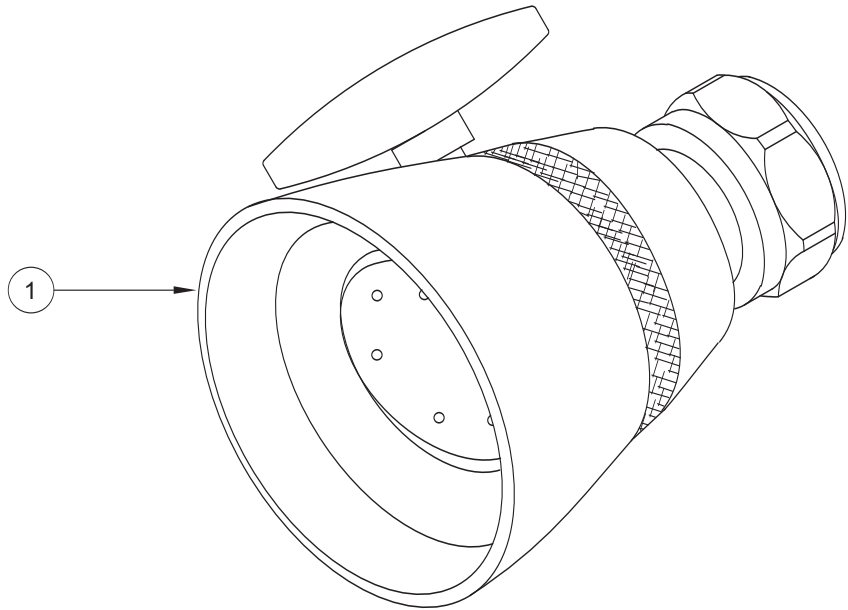
*Dimensions shown in inches (mm) are for reference only and are subject to change.*



**Ordering Code:**

**P4702**

#	Description	Part #
1	Shower Head	P4702



# P4801 Ballcock, Rough Brass

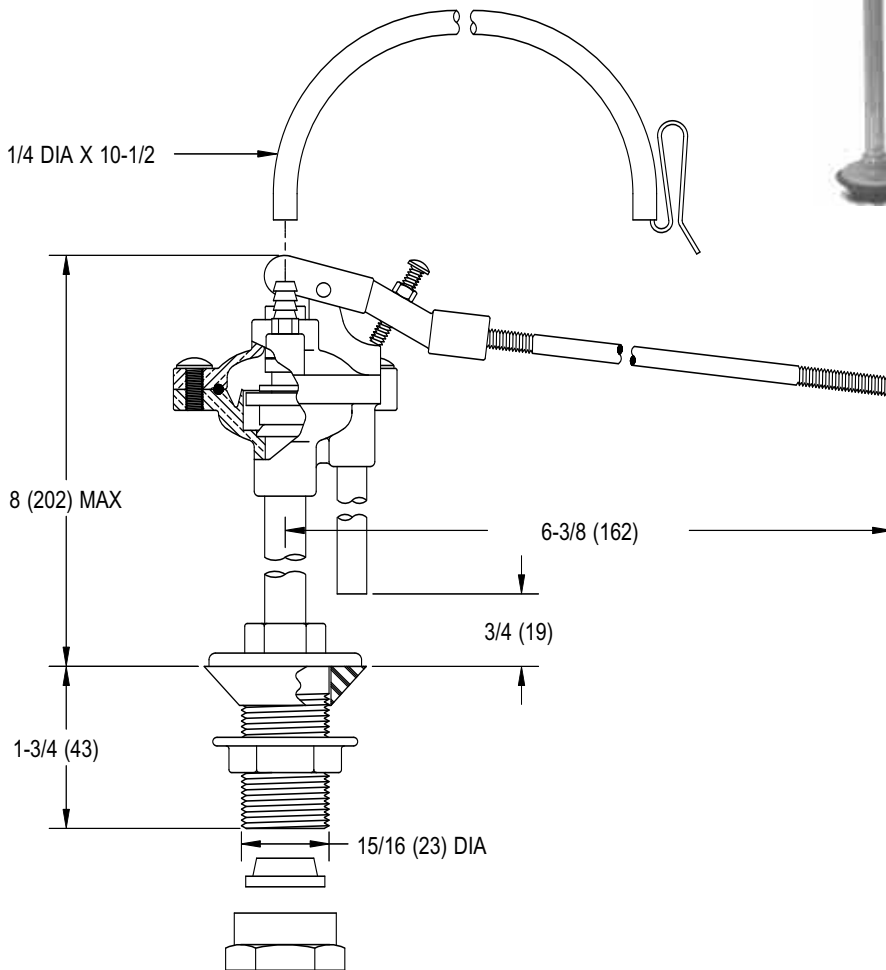


**P4801 Specification:** Commercial grade ballcock. Assembly includes heavy duty cast brass body construction, flexible refill tube with wire clip, rubber shank washer, rough brass locknut and coupling nut with slip-joint gasket.

**Shipping Weight** ..... 1.2 Lbs (0.5 Kg)



**P4801 Model Shown**



*Dimensions shown in inches (mm) are for reference only and are subject to change.*

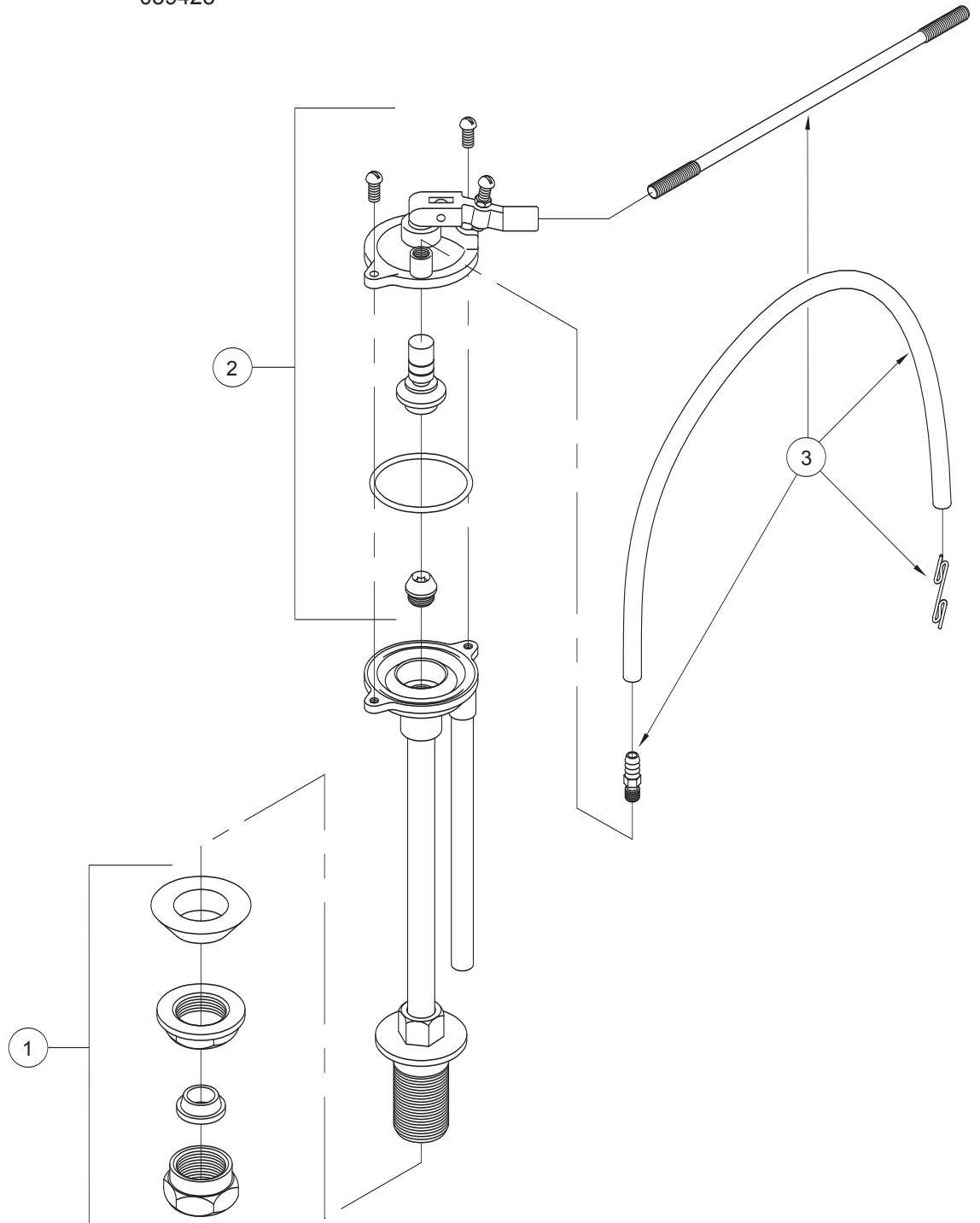


**Ordering Code:**

**P4801**



#	Description	Part #
1	Mounting Kit	039421
2	Plunger & Bonnet Kit	039422
3	Refill Kit	039423



# P4808 Ballcock, Moulded ABS, Adjustable

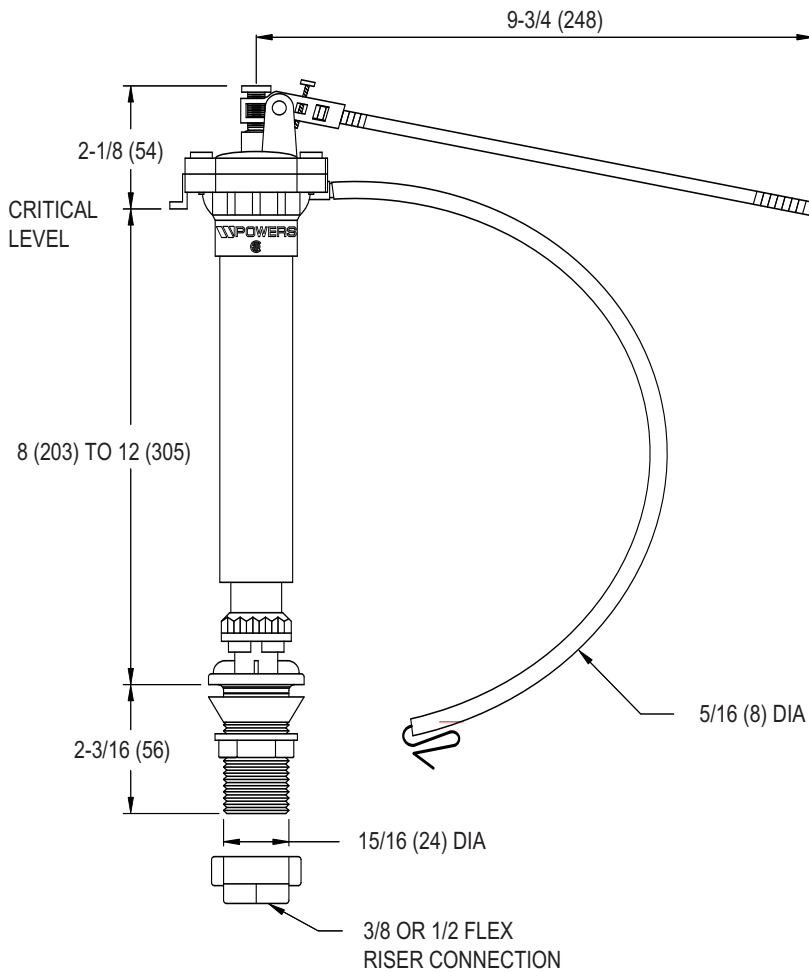


**P4808 Specification:** Commercial grade anti-siphon ballcock assembly. Molded ABS body construction. Assembly includes flexible refill tube with wire clip, rubber shank washer, coupling nut, float valve, and brass float rod. Complete unit adjustable from 8" (203 mm) to 12" (305 mm) in height.

**Shipping Weight** ..... 0.6 Lbs (0.3 Kg)



**P4808 Model Shown**



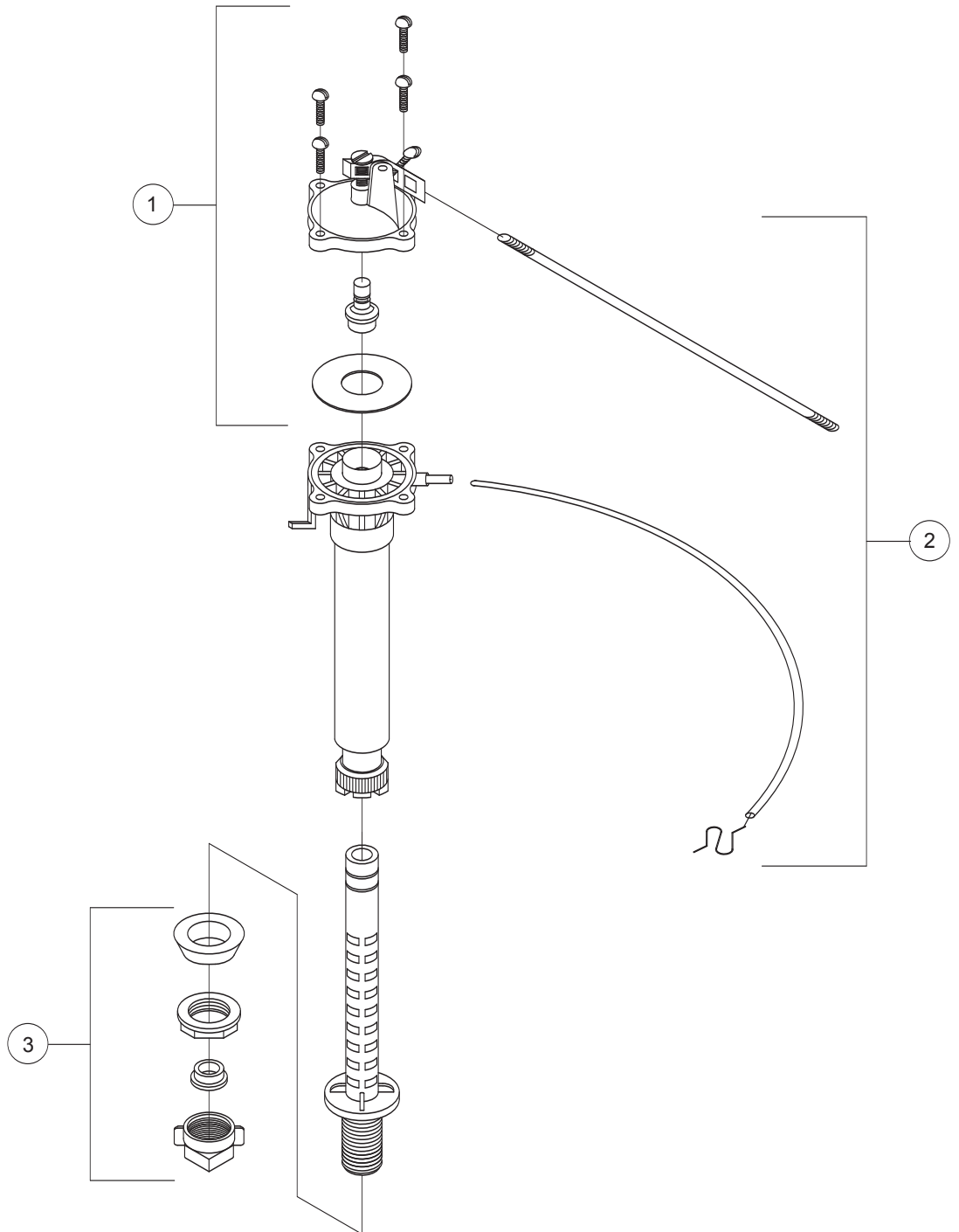
*Dimensions shown in inches (mm) are for reference only and are subject to change.*



**Ordering Code:**

**P4808**

#	Description	Part #
1	Bonnet and Plunger Assy.	039597
2	Refill Kit	039423
3	Mounting Kit	039421



# P5500 Impulse Auto Flush Retrofit Kit



**P5500 Specification:** Impulse® battery operated retrofit kit for Presto® urinal and water closet flush valves. Solid state DC sensor control circuit with 8 seconds activation delay and adjustable sensor range from 12" (300 mm) to 40" (1000 mm). 6.0V lithium battery provides up to 5 years service at 4000 flushes per month. A courtesy flush is available every 24 hours.

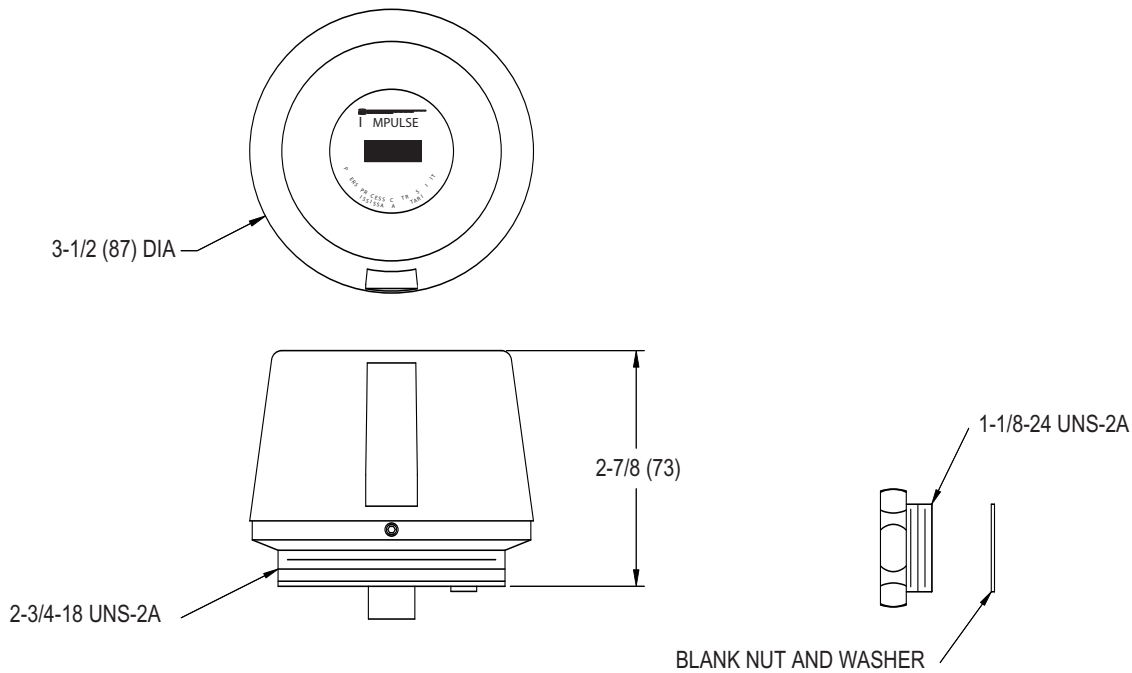
**Water Pressure Range** ..... 10-80 PSI (69-551 KPa)

**Cover Material** .....Molded Non-Toxic ABS, UL Approved

**Shipping Weight** ..... 1.7 Lbs (0.8 Kg)



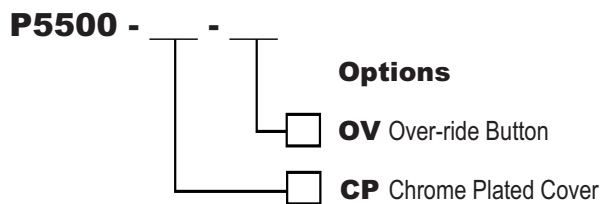
**P5500 Model Shown**



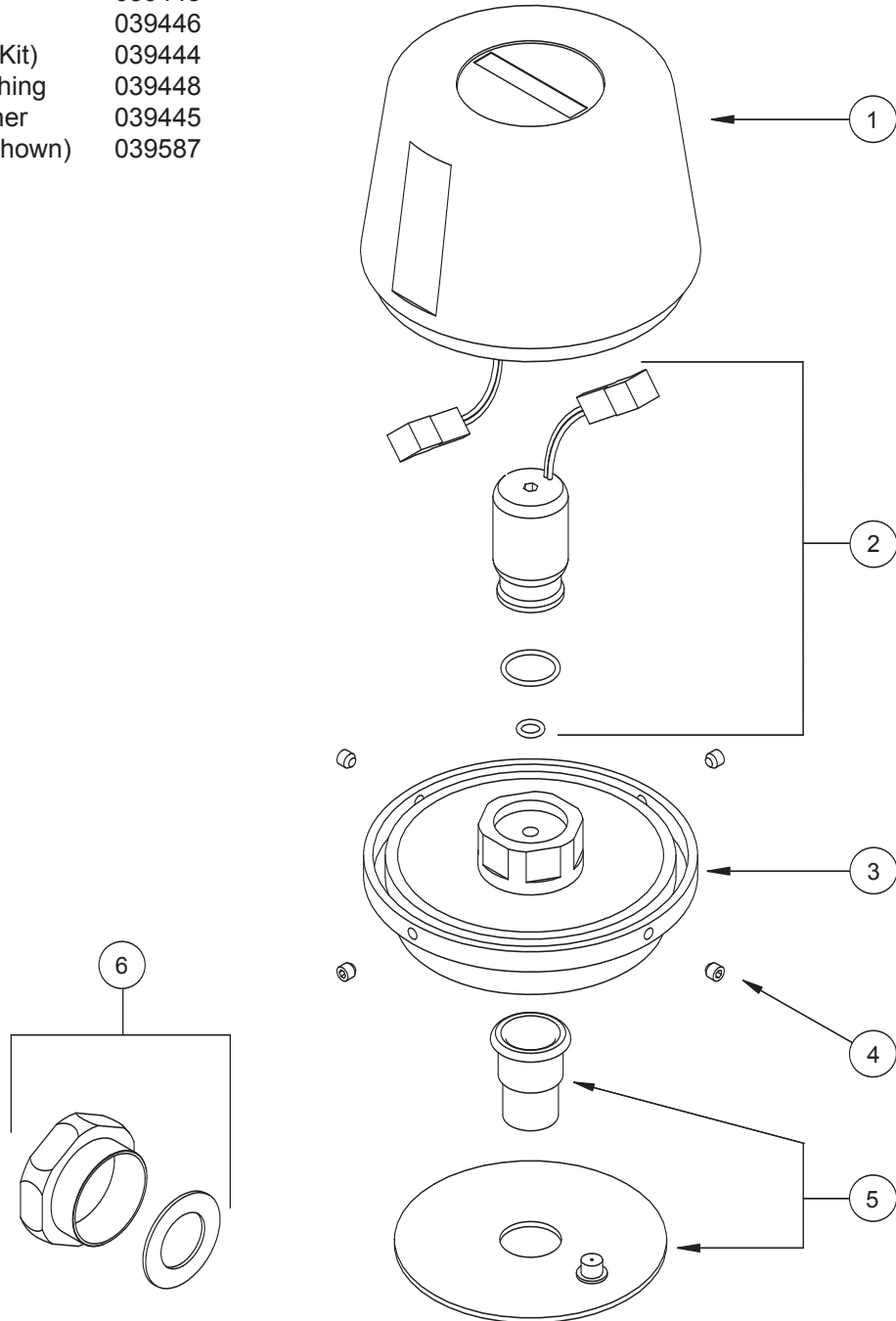
*Dimensions shown in inches (mm) are for reference only and are subject to change.*



**Ordering Code:**



#	Description	Part #
1	Electronic Housing	039442
2	Solenoid Valve	039443
3	Cover	039446
4	Set Screws (25 Per Kit)	039444
5	Diaphragm and Bushing	039448
6	Blank Nut and Washer	039445
7	Soft Parts Kit (Not Shown)	039587



# P5505 Impulse® Remote Control Unit

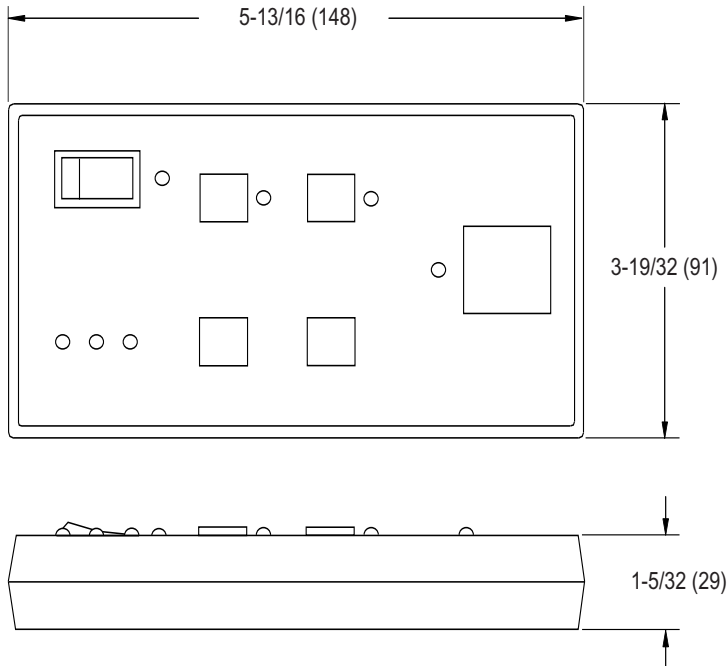


**P5505 Specification:** Impulse® remote control unit allows easy adjustments to flush volume and sensor distance without having to remove the Impulse protective cover. LED screen displays both sensor distance (in inches) and flush setting. Unit also indicates P5500 battery status.

**Shipping Weight** ..... 0.9 Lbs (0.4 Kg)



**P5505 Model Shown**



*Dimensions shown in inches (mm) are for reference only and are subject to change.*



**Ordering Code:**

**P5505**

#	Description	Part #
1	Impulse Remote Control Unit	P5505



# S1905 Solitaire® Lavatory Fitting



**S1905 Specification:** Commercial grade cast brass single lever lavatory fitting with 4" (102 mm) cover plate, 2.0 gpm (7.6 L/min) aerator, maximum temperature stop, and adjustable flow control. Each Solitaire® fitting provides precise finger-tip control through its technically advanced ceramic disc cartridge. Includes elegantly styled vandal resistant handle, single stud mounting and a resilient polished chrome plated finish.

**Maximum Flow Rates** ... 2.0 GPM @ 60 PSI (7.6 L/min @ 410 KPa)

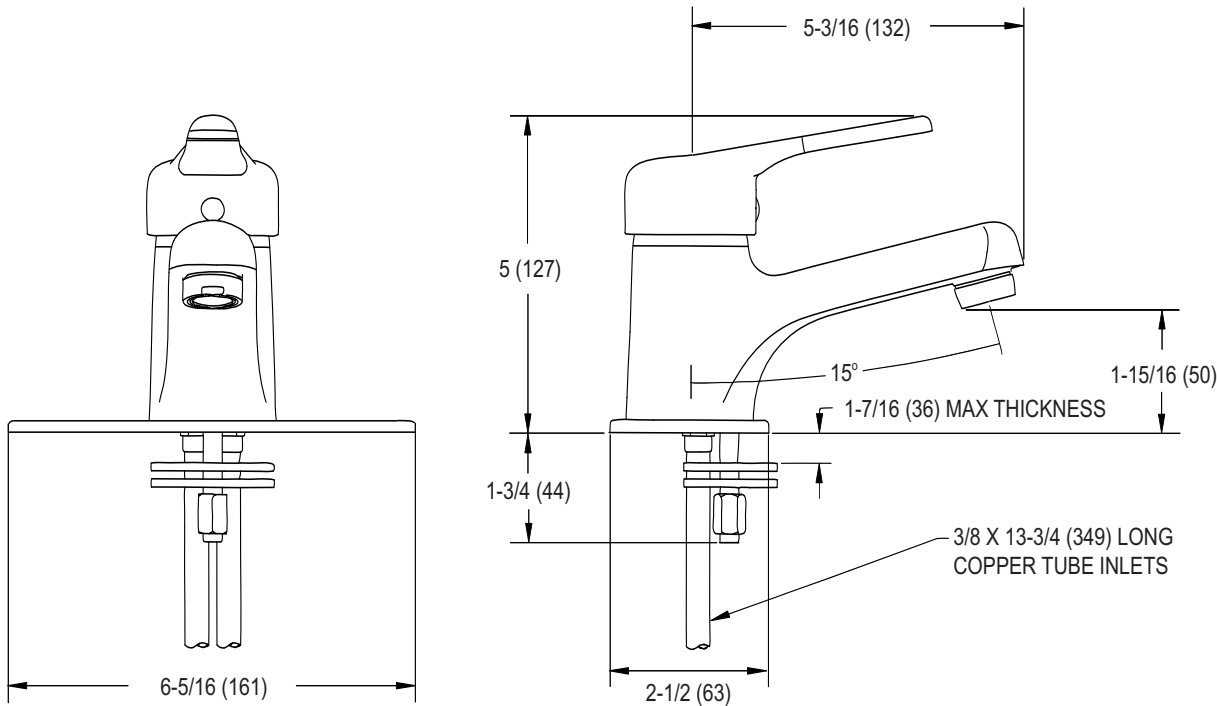
**Maximum Operating Pressure Rating** ..... 125 PSI (860 KPa)

**Maximum Operating Temperature Rating** ..... 65 C (150 F)

**Shipping Weight** ..... 3.5 Lbs (1.6 Kg)



**S1905 Model Shown**



Dimensions shown in inches (mm) are for reference only and are subject to change.



**Ordering Code:**

**S1905 - -**

**Outlet Options**

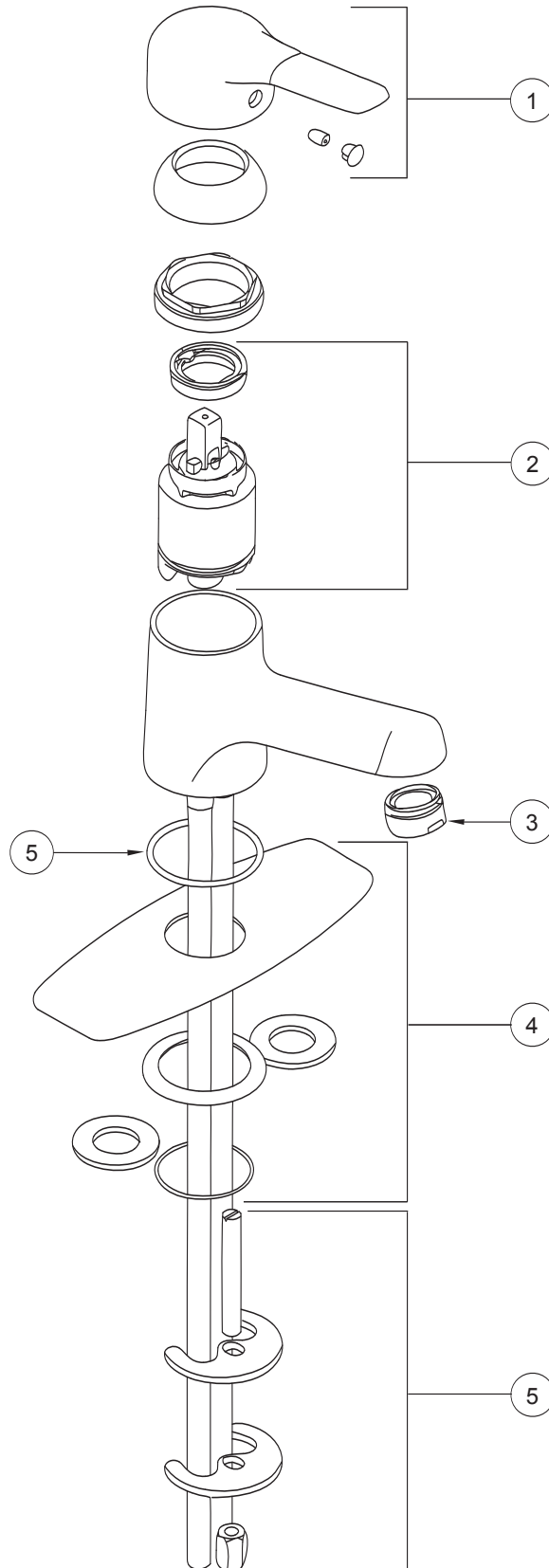
- Aerator (0.5 GPM, 1.9 L/min) **A5**
- Laminar Flow Outlet (2.0 GPM, 7.6 L/min) **LF**
- Spray Face (2.0 GPM, 7.6 L/min) **SF**
- Vandal Resistant Aerator (0.5 GPM, 1.9 L/min) **V5**
- Vandal Resistant Aerator (2.0 GPM, 7.6 L/min) **VA**
- Vandal Resistant Laminar Flow (2.0 GPM, 7.6 L/min) **VF**

**Additional Options**

- GD** 1-1/4" Grid Drain (P3902)
- OG** 1-1/4" Offset Grid Drain (P3906)



#	Description	Part #
1	Lever Handle	039457
2	Cartridge	039461
3	Aerator	300911
4	Cover Plate	P2723
5	Mounting Hardware	039458



# S1910 Solitaire® Lavatory Fitting W/ Pop-Up



**S1910 Specification:** Commercial grade cast brass single lever lavatory fitting with pop-up waste, 4" (102 mm) cover plate, 2.0 gpm (7.6 L/min) aerator, maximum temperature stop, and adjustable flow control. Each Solitaire® fitting provides precise finger-tip control through its technically advanced ceramic disc cartridge. Includes elegantly styled vandal resistant handle, single stud mounting, and a resilient polished chrome plated finish.

**Maximum Flow Rates ...** 2.0 GPM @ 60 PSI (7.6 L/min @ 410 KPa)

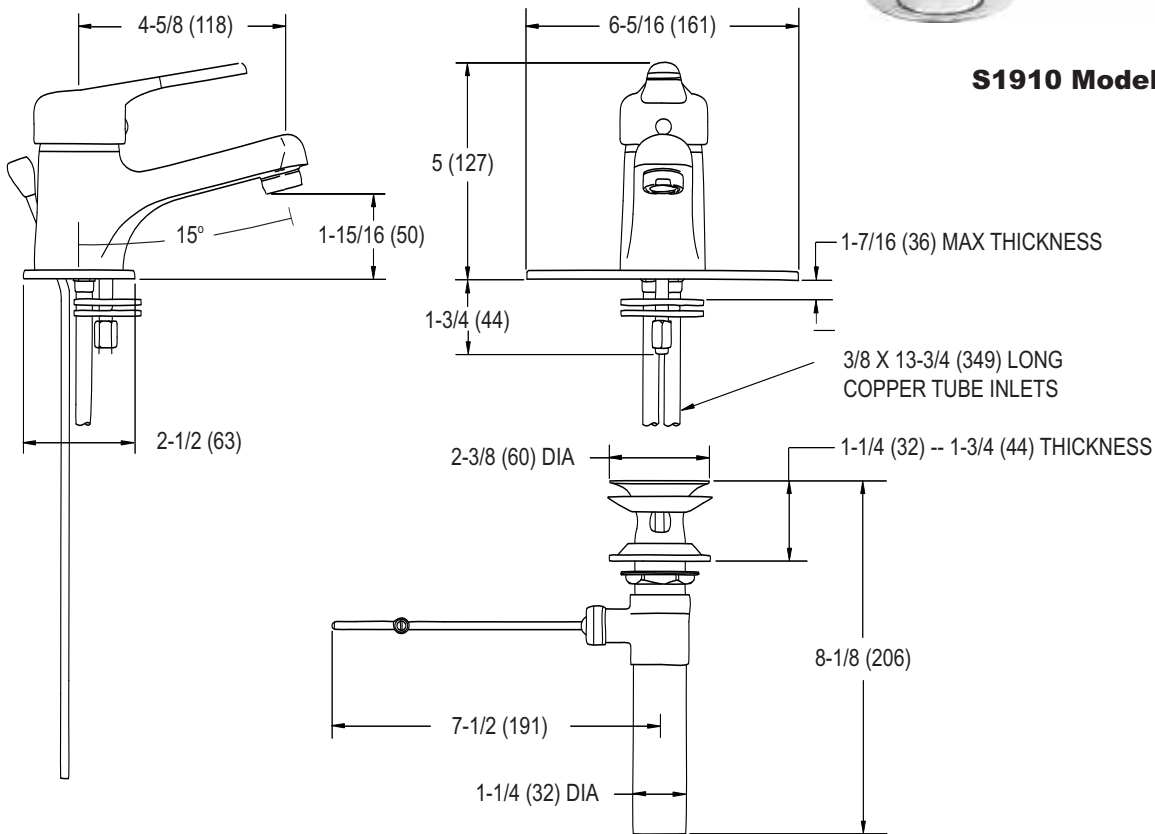
**Maximum Operating Pressure Rating .....** 125 PSI (860 KPa)

**Maximum Operating Temperature Rating .....** 65 C (150 F)

**Shipping Weight .....** 4.4 Lbs (2.0 Kg)



**S1910 Model Shown**



Dimensions shown in inches (mm) are for reference only and are subject to change.



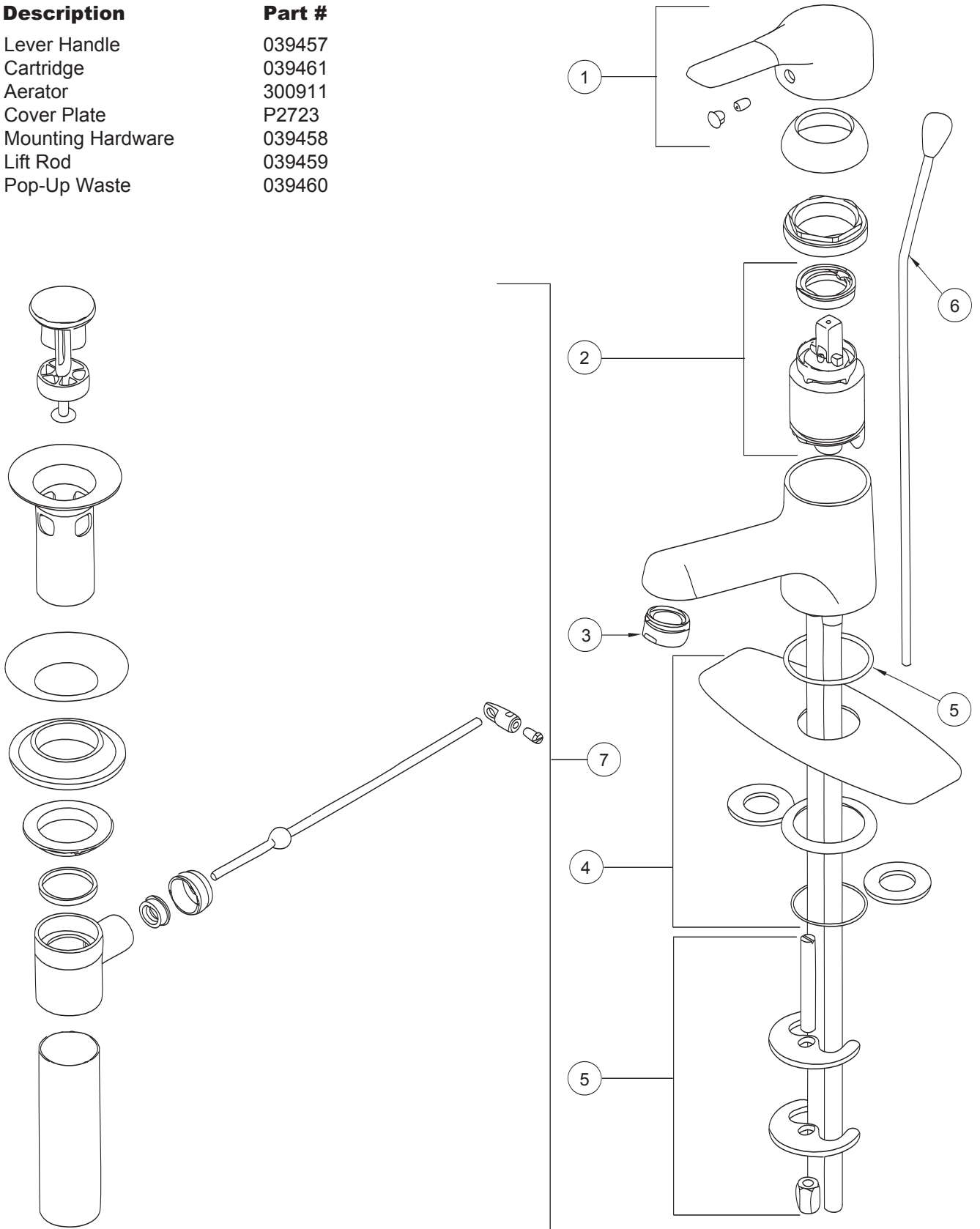
**Ordering Code:**

**S1910 -**

**Outlet Options**

- Aerator (0.5 GPM, 1.9 L/min) **A5**
- Laminar Flow Outlet (2.0 GPM, 7.6 L/min) **LF**
- Spray Face (2.0 GPM, 7.6 L/min) **SF**
- Vandal Resistant Aerator (0.5 GPM, 1.9 L/min) **V5**
- Vandal Resistant Aerator (2.0 GPM, 7.6 L/min) **VA**
- Vandal Resistant Laminar Flow (2.0 GPM, 7.6 L/min) **VF**

#	Description	Part #
1	Lever Handle	039457
2	Cartridge	039461
3	Aerator	300911
4	Cover Plate	P2723
5	Mounting Hardware	039458
6	Lift Rod	039459
7	Pop-Up Waste	039460



# S3910 Solitaire® Bidet Fitting W/ Pop-Up



**S3910 Specification:** Commercial grade cast brass single lever bidet fitting with pop-up waste, 2.0 gpm (7.6 L/min) aerator, maximum temperature stop, and adjustable flow control. Each Solitaire® fitting provides precise finger-tip control through its technically advanced ceramic disc cartridge. Includes elegantly styled vandal resistant handle, single stud mounting and a resilient polished chrome plated finish.

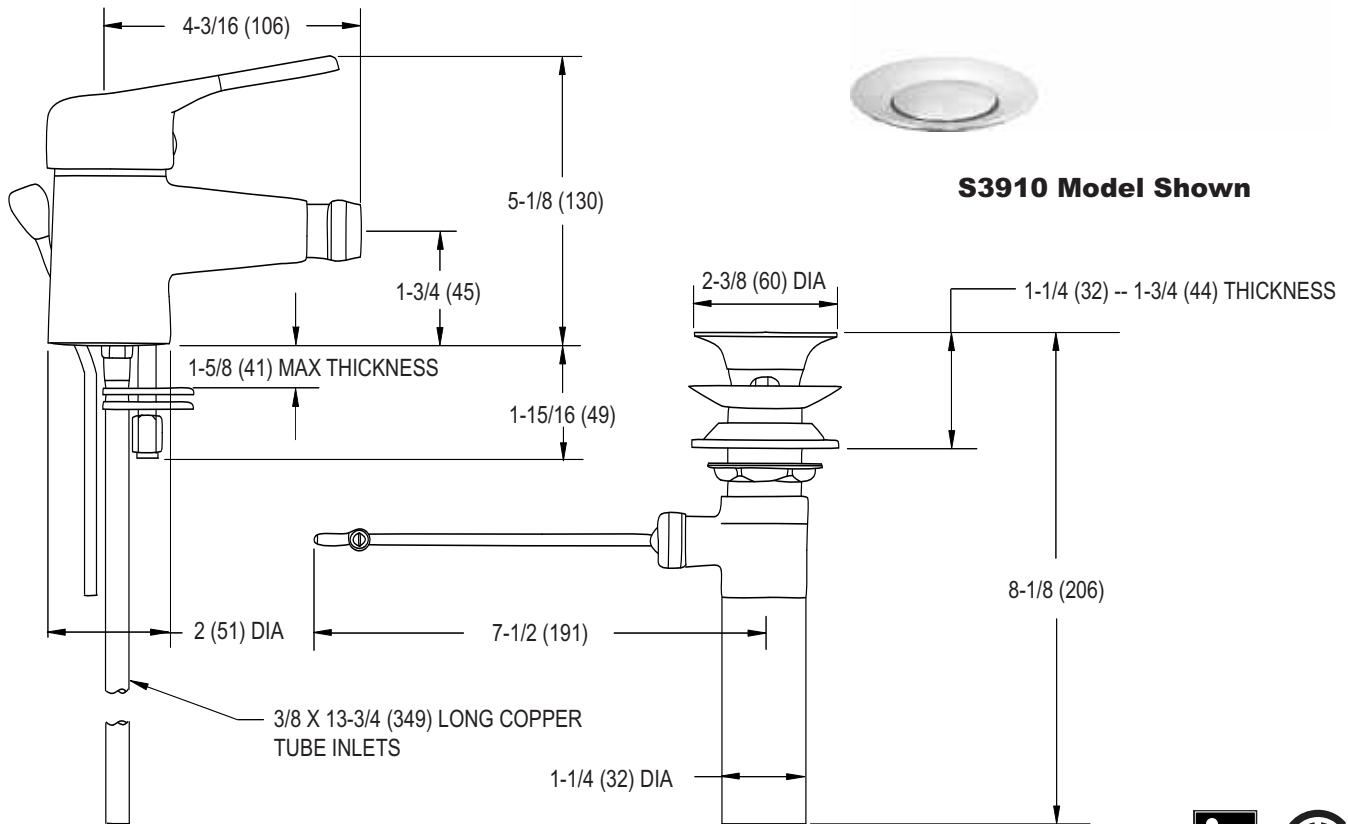


**Maximum Flow Rates ...** 2.0 GPM @ 60 PSI (7.6 L/min @ 410 KPa)

**Maximum Operating Pressure Rating .....** 125 PSI (860 KPa)

**Maximum Operating Temperature Rating .....** 65 C (150 F)

**Shipping Weight .....** 4.1 Lbs (1.9 Kg)



**S3910 Model Shown**

*Dimensions shown in inches (mm) are for reference only and are subject to change.*



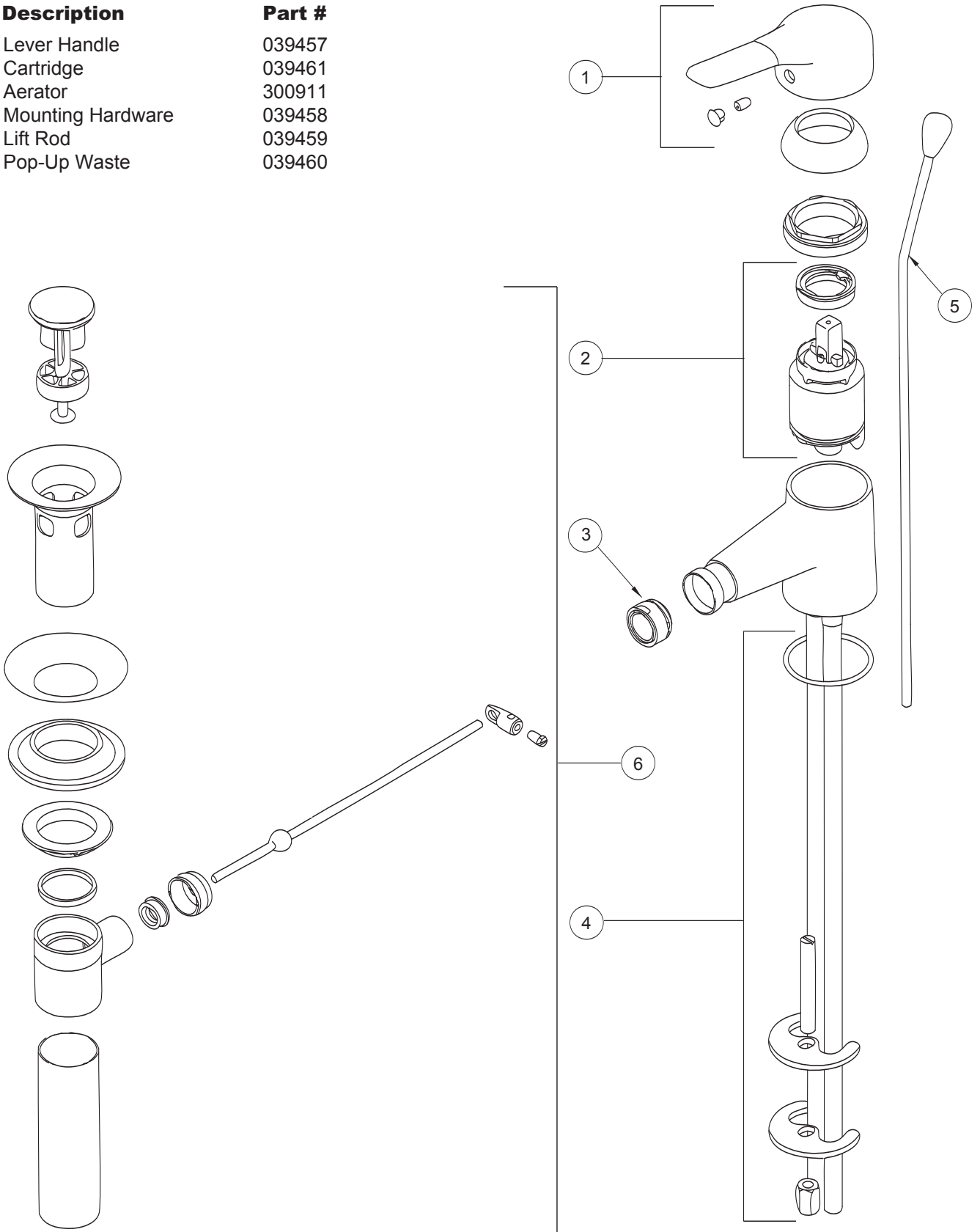
**Ordering Code:**

**S3910 -**

**Outlet Options**

- Aerator (0.5 GPM, 1.9 L/min) **A5**
- Laminar Flow Outlet (2.0 GPM, 7.6 L/min) **LF**
- Spray Face (2.0 GPM, 7.6 L/min) **SF**
- Vandal Resistant Aerator (0.5 GPM, 1.9 L/min) **V5**
- Vandal Resistant Aerator (2.0 GPM, 7.6 L/min) **VA**
- Vandal Resistant Laminar Flow (2.0 GPM, 7.6 L/min) **VF**

#	Description	Part #
1	Lever Handle	039457
2	Cartridge	039461
3	Aerator	300911
4	Mounting Hardware	039458
5	Lift Rod	039459
6	Pop-Up Waste	039460



# S5910 Solitaire® Sink Fitting



**S5910 Specification:** Commercial grade cast brass single lever sink fitting with high rise swing spout, 8" (203 mm) cover plate, 2.0 gpm (7.6 L/min) aerator, maximum temperature stop, and adjustable flow control. Each Solitaire® fitting provides precise finger-tip control through its technically advanced ceramic disc cartridge. Includes elegantly styled vandal resistant handle, single stud mounting and a resilient polished chrome plated finish.



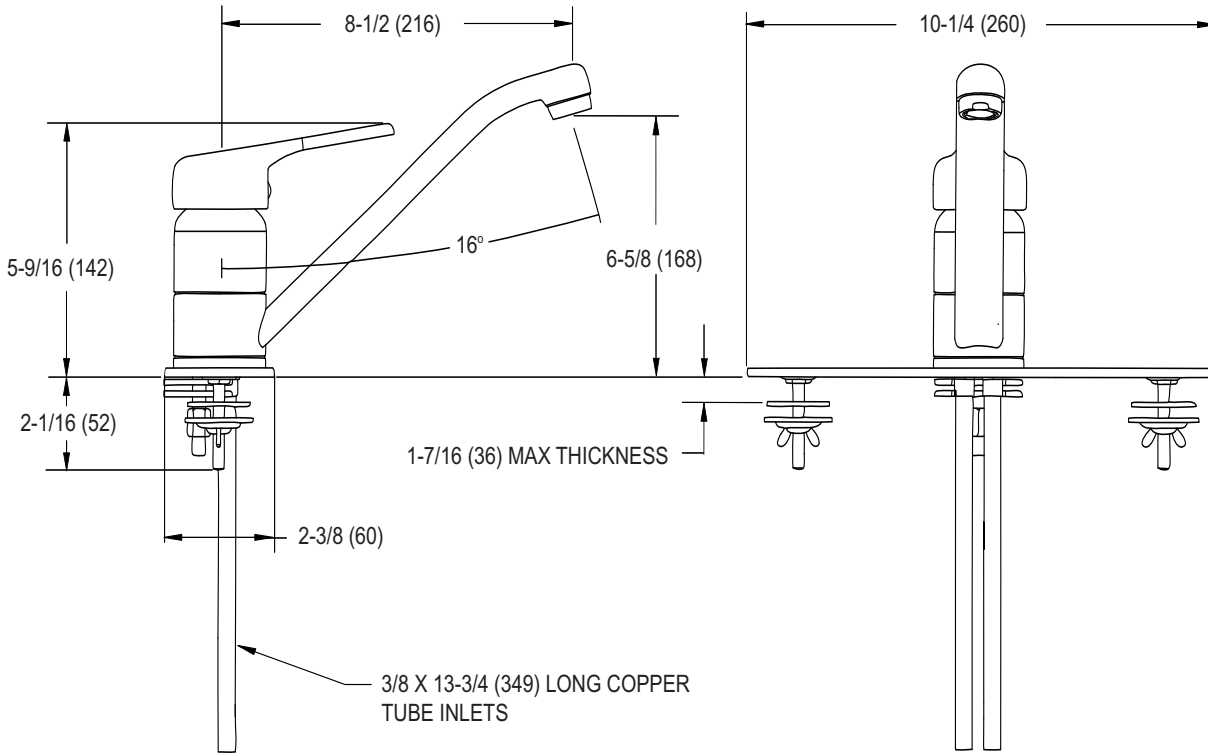
**S5910 Model Shown**

**Maximum Flow Rates ...** 2.0 GPM @ 60 PSI (7.6 L/min @ 410 KPa)

**Maximum Operating Pressure Rating .....** 125 PSI (860 KPa)

**Maximum Operating Temperature Rating .....** 65 C (150 F)

**Shipping Weight .....** 4.0 Lbs (1.8 Kg)



*Dimensions shown in inches (mm) are for reference only and are subject to change.*

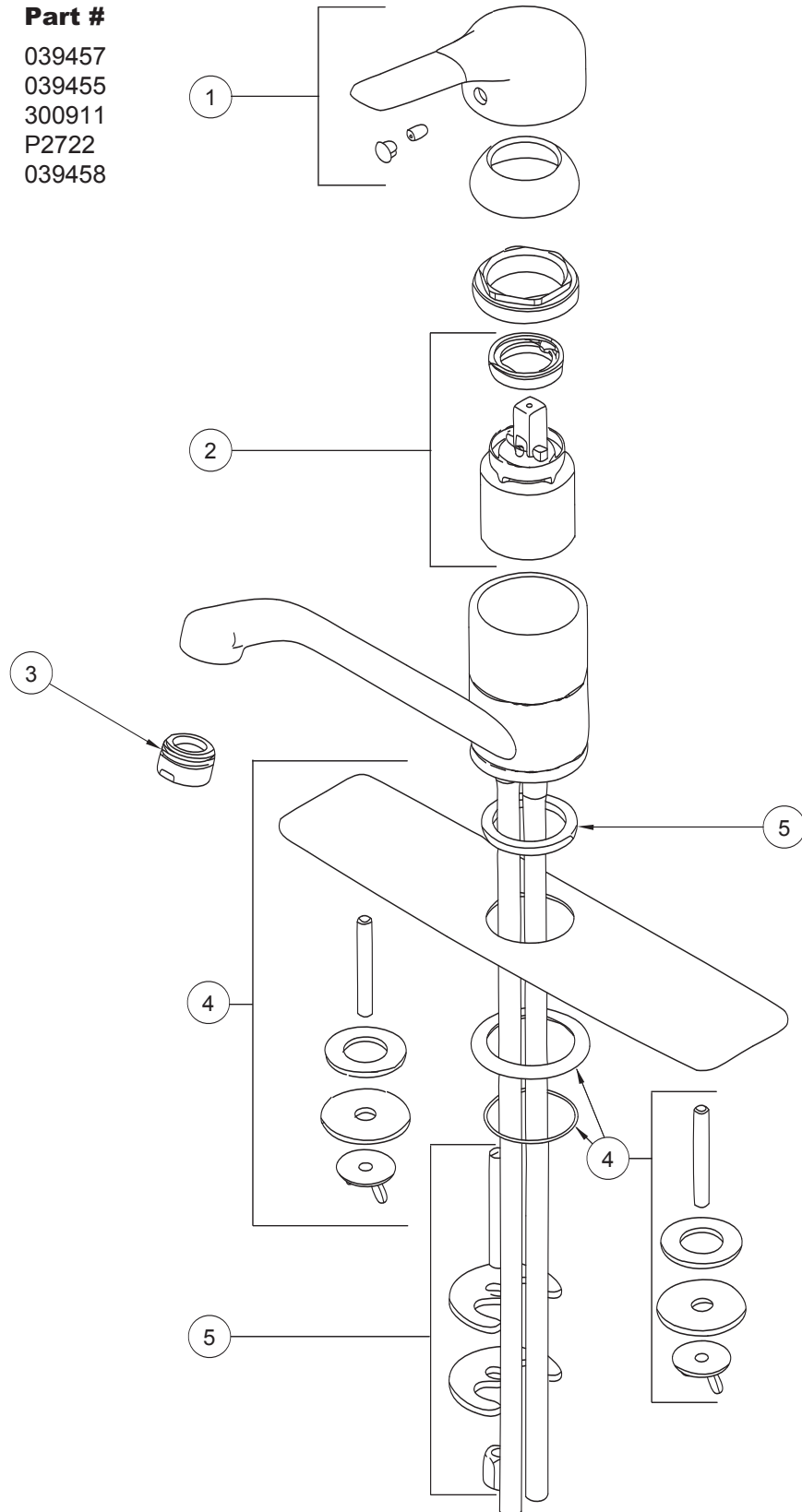
**Ordering Code:**

**S5910 -**

**Outlet Options**

- Aerator (0.5 GPM, 1.9 L/min) **A5**
- Laminar Flow Outlet (2.0 GPM, 7.6 L/min) **LF**
- Spray Face (2.0 GPM, 7.6 L/min) **SF**
- Vandal Resistant Aerator (0.5 GPM, 1.9 L/min) **V5**
- Vandal Resistant Aerator (2.0 GPM, 7.6 L/min) **VA**
- Vandal Resistant Laminar Flow (2.0 GPM, 7.6 L/min) **VF**

#	Description	Part #
1	Lever Handle	039457
2	Cartridge	039455
3	Aerator	300911
4	Cover Plate	P2722
5	Mounting Hardware	039458



# S5915 Solitaire® Sink Fitting W/ Spray



**S5915 Specification:** Commercial grade cast brass single lever sink fitting with 2.0 gpm (7.6 L/min) aerator, pull-out spray, 8" (203 mm) cover plate, . maximum temperature stop, and adjustable flow control. Each Solitaire® fitting provides precise finger-tip control through its technically advanced ceramic disc cartridge. Includes elegantly styled vandal resistant handle, single stud mounting and a resilient polished chrome plated finish.



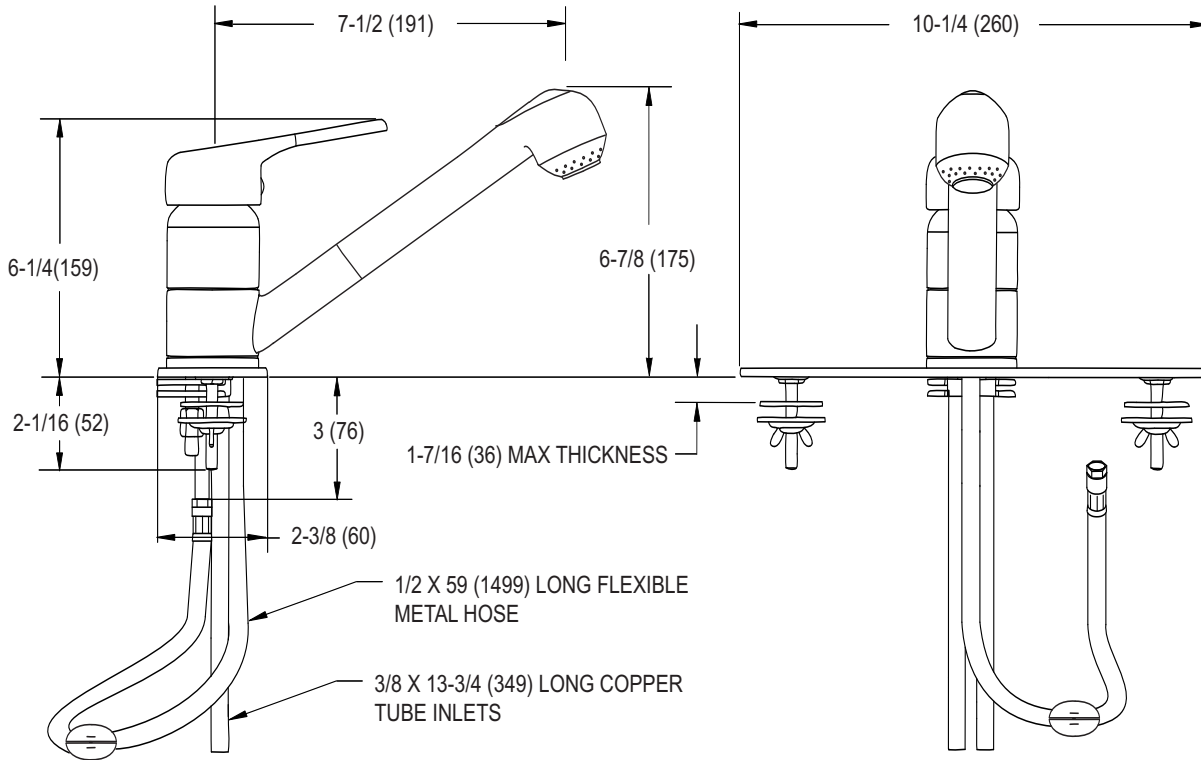
**S5915 Model Shown**

**Maximum Flow Rates ...** 2.0 GPM @ 60 PSI (7.6 L/min @ 410 KPa)

**Maximum Operating Pressure Rating .....** 125 PSI (860 KPa)

**Maximum Operating Temperature Rating .....** 65 C (150 F)

**Shipping Weight .....** 4.5 Lbs (2.0 Kg)



*Dimensions shown in inches (mm) are for reference only and are subject to change.*

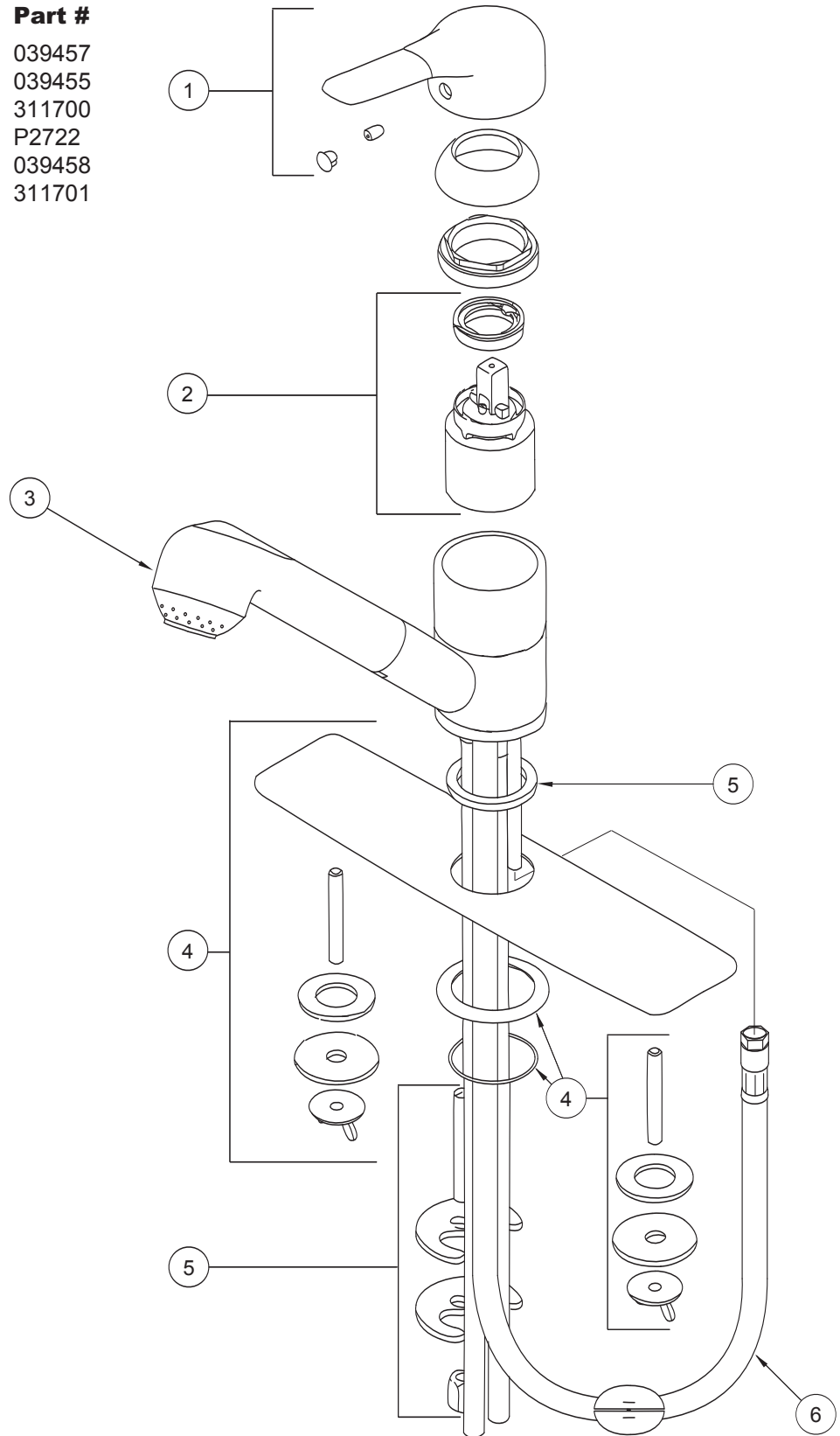
**Ordering Code:**

**S5915**





#	Description	Part #
1	Lever Handle	039457
2	Cartridge	039455
3	Pull-Out Spray Assy.	311700
4	Cover Plate	P2722
5	Mounting Hardware	039458
6	Metal Hose	311701





**Metering Handle:** Polished chrome plated vandal resistant metal handle meets ADA accessibility requirements when installed on Powers fittings. For use with Meter-One cartridge only.

**Ordering Code:**

Blue: 675-026  
Red: 675-026



**Acrylic Handle:** Beautifully made clear acrylic handle comes in three sizes to match any fitting installation. Assembly includes acrylic ring, handle screw, skirt, and indexed button.

**Ordering Code:**

Small: 4" (102 mm) centreset lavatory fittings.	Cold: 039287
	Hot: 039288
Medium: 8" (203 mm) widespread fittings.	Cold: 039307
	Hot: 039308
Large: Bath and Shower fittings.	Cold: 039322
	Hot: 039321



**Lever Handle:** Polished chrome plated lever metal handle meets ADA accessibility requirements when installed on Powers fittings. Assembly includes handle, screw, and indexed button.

**Ordering Code:**

Small: 4" (102 mm) centreset lavatory fittings.	Cold: 039292
	Hot: 039291
Medium: 8" (203 mm) widespread fittings.	Cold: 039309
	Hot: 039310
Large: Bath and Shower fittings.	Cold: 039360
	Hot: 039361



**5-Rib Handle:** Polished chrome plated 5-rib metal handle. Assembly includes, handle, screw, and indexed button.

**Ordering Code:**

Small: 4" (102 mm) centreset lavatory fittings.	Cold: 039303
	Hot: 039304
Medium: 8" (203 mm) widespread fittings.	Cold: 039315
	Hot: 039316
Large: Bath and Shower fittings.	Cold: 039326
	Hot: 039325

**Ordering Code:**

Blue: 039296  
Red: 039295

**3" Blade Handle:** Polished chrome plated cast brass handle meets ADA accessibility requirements when installed on Powers fittings. Assembly includes handle, screw, and colour coded button.



**Ordering Code:**

Blue: 039300  
Red: 039299

**4-1/2" Blade Handle:** Polished chrome plated cast brass handle meets ADA accessibility requirements when installed on Powers fittings. Assembly includes handle, screw, and colour coded button.



**Ordering Code:**

Blue: 039319  
Red: 039320

**6" Blade Handle:** Polished chrome plated cast brass handle meets ADA accessibility requirements when installed on Powers fittings. Assembly includes handle, and colour coded cap nut.



**Ordering Code:**

Blue: 039313  
Red: 039314

**4-Arm Cross Handle:** Polished chrome plated cast brass handle in a traditional style. Assembly includes handle, screw, and colour coded button.





**300911:** 2.0 gpm (7.6 L/min) outlet provides a soft, aerated stream of water. Threaded male inlet adaptable to Powers 4" (102 mm) centreset and 8" (203 mm) widespread lavatory fittings.

**Ordering Code:**  
 300911



**300994:** 2.0 gpm (7.6 L/min) outlet provides a soft, aerated stream of water. Female threaded inlet adaptable to most gooseneck and swing spouts.

**Ordering Code:**  
 300994



**311196:** 0.5 gpm (1.9 L/min) outlet provides a soft, aerated spray of water. Threaded male inlet adaptable to Powers 4" (102 mm) centreset and 8" (203 mm) widespread lavatory fittings. For use in water conservation applications.

**Option Code:**    **Ordering Code:**  
**-A5**                      311196



**311197:** 0.5 gpm (1.9 L/min) outlet provides a soft, aerated spray of water. Female threaded inlet adaptable to most gooseneck and swing spouts. For water conservation applications.

**Option Code:**    **Ordering Code:**  
**-A5**                      311197



**300773:** Vandal resistant 2.0 gpm (7.6 L/min) outlet provides a soft, aerated stream of water. Rotating outer sleeve prevents hand removal. Special wrench (304239) provided. Female threaded inlet adaptable to most gooseneck and swing spouts.

**Option Code:**    **Ordering Code:**  
**-VA**                      300773



**310276:** Vandal resistant 2.0 gpm (7.6 L/min) outlet provides a soft, aerated stream of water. Rotating outer sleeve prevents hand removal. Special wrench (304239) provided. Threaded male inlet adaptable to most low spouts.

**Option Code:**    **Ordering Code:**  
**-VA**                      310276










**311198:** Vandal resistant 0.5 gpm (1.9 L/min) outlet provides a soft, aerated spray of water. Rotating outer sleeve prevents hand removal. Special wrench (304239) provided. Male threaded inlet adaptable to low spouts.

**Option Code:**    **Ordering Code:**  
**-V5**                      311198



**311199:** Vandal resistant 0.5 gpm (1.9 L/min) outlet provides a soft, aerated spray of water. Rotating outer sleeve prevents hand removal. Special wrench (304239) provided. Threaded female inlet adaptable to most gooseneck and swing spouts.

**Option Code:**    **Ordering Code:**  
**-V5**                      311199

<b>Ordering Code:</b> 309760	<b>Option Code:</b> <b>-LF</b>	<b>309760:</b> 2.0 gpm (7.6 L/min) laminar flow outlet provides a non-aerated stream of water and splash reduction. Threaded male inlet adaptable to Powers 4" (102 mm) centreset and 8" (203 mm) widespread lavatory fittings.	
<b>Ordering Code:</b> 310274	<b>Option Code:</b> <b>-LF</b>	<b>310274:</b> 2.0 gpm (7.6 L/min) laminar flow outlet provides a non-aerated stream of water and splash reduction. Female threaded inlet adaptable to most gooseneck and swing spouts.	
<b>Ordering Code:</b> 311363	<b>Option Code:</b> <b>-VF</b>	<b>311363:</b> Vandal-resistant 2.0 gpm (7.6 L/min) laminar flow outlet provides a non-aerated stream of water and splash reduction. Special wrench (304239) provided. Threaded male inlet adaptable to Powers low spouts.	
<b>Ordering Code:</b> 311364	<b>Option Code:</b> <b>-VF</b>	<b>311364:</b> Vandal-resistant 2.0 gpm (7.6 L/min) laminar flow outlet provides a non-aerated stream of water and splash reduction. Special wrench (304239) provided. Threaded female inlet adaptable to most Powers gooseneck and swing spouts.	
<b>Ordering Code:</b> 361166	<b>Option Code:</b> <b>-SF</b>	<b>361166:</b> 2.0 gpm (7.6 L/min) rose spray outlet provides a non-aerated wide angle stream of water. Threaded male inlet adaptable to Powers 4" (102 mm) centreset and 8" (203 mm) widespread lavatory fittings.	
<b>Ordering Code:</b> 361027	<b>Option Code:</b> <b>-SF</b>	<b>361027:</b> 2.0 gpm (7.6 L/min) rose spray outlet provides a non-aerated wide angle stream of water. Female threaded inlet adaptable to most gooseneck spouts.	
<b>Ordering Code:</b> 304239		<b>304239:</b> Specialized wrench for use with all Powers vandal-resistant aerators.	



**Dial-ese® Cartridges:** Commercial grade, machined brass construction, the Dial-ese® cartridges offer smooth on/off operation with sealed-in lubrication. The "heart of trouble-free plumbing", these Dial-ese® cartridges use water pressure to assist in shutting off water supply. For use with acrylic, hooded lever, 3" (76 mm), 4-1/2" (114 mm), 5-rib and cross handles only.

**Ordering Code:**

LH: 039038-BP5  
RH: 039037-BP5

1/4 Turn Version:

LH: 361226  
RH: 361227



**Dial-ese® Hospital Cartridges:** Commercial grade, machined brass construction, the hospital Dial-ese® cartridges offer smooth on/off operation with sealed-in lubrication. The "heart of trouble-free plumbing", these Dial-ese® cartridges use water pressure to assist in shutting off water supply. For use with, 6" (152 mm) handles only.

**Ordering Code:**

LH: 039064-BP5  
RH: 039065-BP5



**Meter-One® Cartridges:** Commercial grade, brass construction, the Meter-One® cartridges offer trouble free metering operation. The Meter-One® cartridge has been designed to meet the requirements of ADA at both low and high inlet pressures. The internal inlet mesh filter ensures particulates never enter the internal workings. Time adjustable from 1 to 20 seconds.

**Ordering Code:**

675-036



**Magi-Close® Cartridges:** Commercial grade, brass construction, the Magi-Close® cartridges offer smooth on/off operation with sealed-in lubrication. These self-closing cartridges provide automatic shut-off of the water supply when the fitting handle is released. For use with acrylic, 5-rib and hooded lever handles only.

**Option Code:**

**-SC**

**Ordering Code:**

039051-BP5



**Magi-Close® Cartridges:** Commercial grade, brass construction, the Magi-Close® cartridges offer smooth on/off operation with sealed-in lubrication. These self-closing cartridges provide automatic shut-off of the water supply when the fitting handle is released. For use with 3" (76 mm), 4-1/2" (114 mm) blade and cross handles only.

**Option Code:**

**-SC**

**Ordering Code:**

039344-BP5



**Dial-ese® Repair Kit:**

- |                       |                   |
|-----------------------|-------------------|
| 1 Low Locknut         | 1 RH Centrepiece  |
| 1 High Locknut        | 1 LH Centrepiece  |
| 8 Gaskets             | 1 RH Stem         |
| 6 Insulating Adapters | 1 LH Stem         |
| 2 Sleeves             | 1 RH Control Unit |
| 6 Packing Rings       | 1 LH Control Unit |
| 6 Handle Screws       | 1 Tube Lubricant  |
| 1 Steel Wrench        |                   |
| 12 Seat Rings         |                   |

**Ordering Code:**

P4401



**Magi-Close® Repair Kit:**

- |                       |                  |
|-----------------------|------------------|
| 2 Sleeves             | 4 Stems          |
| 6 Gaskets             | 2 Springs        |
| 2 Caps                | 2 Top Cams       |
| 2 Top Cam Springs     | 2 Bottom Cams    |
| 6 Packing Rings       | 2 Control Units  |
| 6 Insulating Adapters | 1 Tube Lubricant |
| 6 Handle Screws       |                  |
| 1 Steel Wrench        |                  |
| 12 Seat Rings         |                  |

**Ordering Code:**

P4402

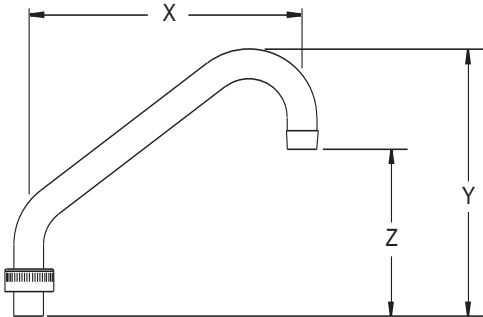


**Steel Wrench:** Handy, easy-to-use steel wrench for removing Dial-ese® and Magi-Close® trimming units.

**Ordering Code:**

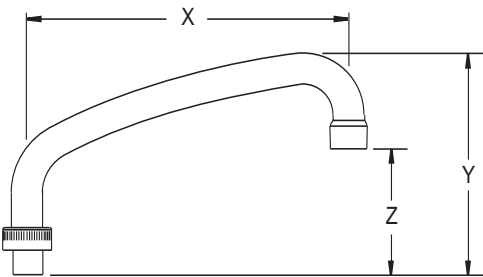
P4403

### Swing Spout - High Profile (For All P2700 and P1600 Series Fittings)



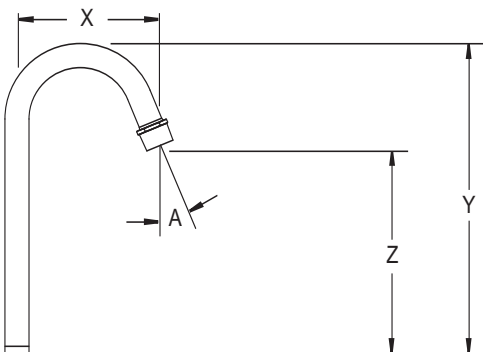
Spout Option Code	Spout Assy. Order Code	X inches (mm)	Y inches (mm)	Z inches (mm)
-06	039469	6 (152)	7.4 (188)	4.6 (117)
-08	039470	8 (203)	7.4 (188)	4.6 (117) *
-10	039471	10 (254)	7.4 (188)	4.6 (117)
-12	039472	12 (305)	7.4 (188)	4.6 (117)

### Swing Spout (For P1232 and P3300 Series Fittings)



Spout Option Code	Spout Assy. Order Code	X inches (mm)	Y inches (mm)	Z inches (mm)
-06	039474	6 (152)	5.7 (145)	3.9 (89)
-08	039475	7.9 (201)	5.7 (145)	3.9 (89) *
-10	039476	10 (254)	5.7 (145)	3.9 (89)
-12	039477	12 (305)	5.9 (150)	3.9 (89)

### Gooseneck Spout (For All Gooseneck Fittings)



Spout Option Code	Spout Assy. Order Code	X inches (mm)	Y inches (mm)	Z inches (mm)	A degrees
-G1	039484	3.5 (89)	9.0 (229)	6.0 (152)	15
-G2	039485	5.3 (135)	13.5 (343)	9.0 (229)	10
-G3	039486	8 (203)	18.8 (478)	13.5 (343)	0

\* Standard



# TERMS & CONDITIONS

## **FREIGHT TERMS:**

All shipments are F.O.B. shipping point. Shipments from the factory of less than 500 lbs or \$2,500.00 net are F.O.B. factory. Factory shipments over 500 lbs, \$5,000.00 list or \$2,500.00 net will be prepaid and allowed within Canada when made at the lowest motor carrier transportation rate. Short-shipments and/or damaged goods must be reported within 72 hours.

## **PAYMENT TERMS:**

Invoices are due and payable 30 days from the date of invoice. A 2% cash discount is allowed on net amount of invoice if paid on or before the 10th of the following month. Invoices dated on or after the 25th will be considered as dated the first of the next month.

## **STOCKING WHOLESALE MINIMUM CHARGE:**

A minimum billing charge of \$75.00 applies to shipments F.O.B. factory. Stocking Wholesaler Customers are encouraged to order sufficient material to avoid this charge which is necessitated by increased costs of processing small orders.

## **SPECIAL PRODUCTS:**

Orders for special or modified products are non-cancellable and non-returnable.

## **LIMITED WARRANTY:**

WATTS Industries (Canada) Inc. warrants each product against defects in material and workmanship for a period of one year from the date of original shipment. In the event of such defects within the warranty period, the Company will, at its option, replace or recondition the product without charge. This shall constitute the exclusive remedy for breach of warranty, and the Company shall not be responsible for any incidental or consequential damages, including, without limitation, damages or other costs resulting from labor charges, delays, vandalism, negligence, fouling caused by foreign material, damage from adverse water conditions, chemicals, or any other circumstances over which the Company has no control. This warranty shall be invalidated by any abuse, misuse, misapplication or improper installation of the product.

## **THE COMPANY MAKES NO OTHER WARRANTIES EXPRESS OR IMPLIED EXCEPT AS PROVIDED IN THIS LIMITED WARRANTY.**

## **RETURNED GOODS RESTOCKING CHARGE:**

No material shall be returned without authorization. When credit is issued it will be at the price charged, or prevailing price if lower, less handling charges based on costs of reconditioning, boxing, etc. However, a minimum 25% handling charge will apply. A minimum handling charge of \$35.00 is applied whenever the 25% handling deduction does not total \$35.00. Products which are obsolete or made to special order are not returnable.

## **NOTE:**

Prices and terms are subject to change without notice and supersede all previous quotations. The right is reserved to change or modify product design or construction without prior notice and without incurring any obligation to make such changes and modifications on products previously or subsequently sold.

WATTS Industries (Canada) Inc. reserves the right to modify or change product design or construction without prior notice and without incurring any obligation to make similar changes and modifications to products previously or subsequently sold.

See your POWERS representative for any clarification.



PBSG-001



**Canadian Manufacturing  
& Sales Office**

5435 North Service Road • Burlington, ON • L7L 5H7

Phone: (905) 332-4090 • Fax: (905) 332-7068

[www.wattscanada.ca](http://www.wattscanada.ca)

**Toll-Free Customer Service Line:**

**1-888-208-8927**