



## Electronic Flush Valves & Retrofit Kits

Hard wire flush valve for 3/4" top spud flushing URINAL with H2Optics® SENSOR ON VALVE - maximum 13" height (c/l of inlet to top of urinal)

**Model No: 81T231HWA**

### COMPLIES WITH:

- IAPMO listed to CSA B125.3/ASSE 1037
- ADA Compliant to meet Handicapped Accessibility Standard ICC/ ANSI A117.1 of less than 5 lbs operating force
- U.S. Patent # 6, 826, 455
- Other patents pending
- (Contact Delta Representative for State and/or Local Approvals)



### SPECIFICATION:

- Quiet action, Teck® exposed HARD WIRE operated diaphragm flush valve
- Right or left-hand supply installation
- Vandal Resistant copper tube conduit
- Chloramine resistant diaphragm
- Forged brass diaphragm retainer
- Renewable seat
- Polished chrome plated finish
- Vacuum breaker
- (110 to 24 VAC Transformer not included. See Series Spec for additional part numbers.)
- For URINALS with 3/4" top inlet
- ADA compliant, automatic operation hard wire powered infrared sensor
- Polished chrome plated vandal resistant metal cover with top mounted sensor operated H2Optics® electronics
- Scratch resistant replaceable lens window
- Infrared sensor range adjustment of 457mm-914mm (18" - 36"), factory set at 28" (±2")
- Hard wire adaptor 24 VAC to 6 VDC converter (supplied)
- Optional 24 hour automatic flush factory set to ON
- Set-up sensor range adjustment indicator lights
- 24 VAC input, 8 second arming delay
- Electronic operated non-hold-open metal manual override button with 5 second lockout
- (110 to 24 VAC transformer not included. See Series Spec Sheet for additional part numbers)
- 1" FIP/ 3/4" Copper sweat inlet adaptor, angle check stop with protecting cap
- Adjustable 121mm (4-3/4") plus or minus 11mm (7/16") inlet/valve outlet centers
- Cover tube, stainless steel wall flange, spud flange, spud nut, and 330mm (13") outlet tube.
- Optional backup battery available
- External water conserving adjustment: 1.9L(0.50 Gal.) Factory Set Flush at 60 psi - FIELD ADJUSTABLE from 0.47 to 3.78 Litre Flush (1/8 to 1.0 GAL.)

### OPERATION:

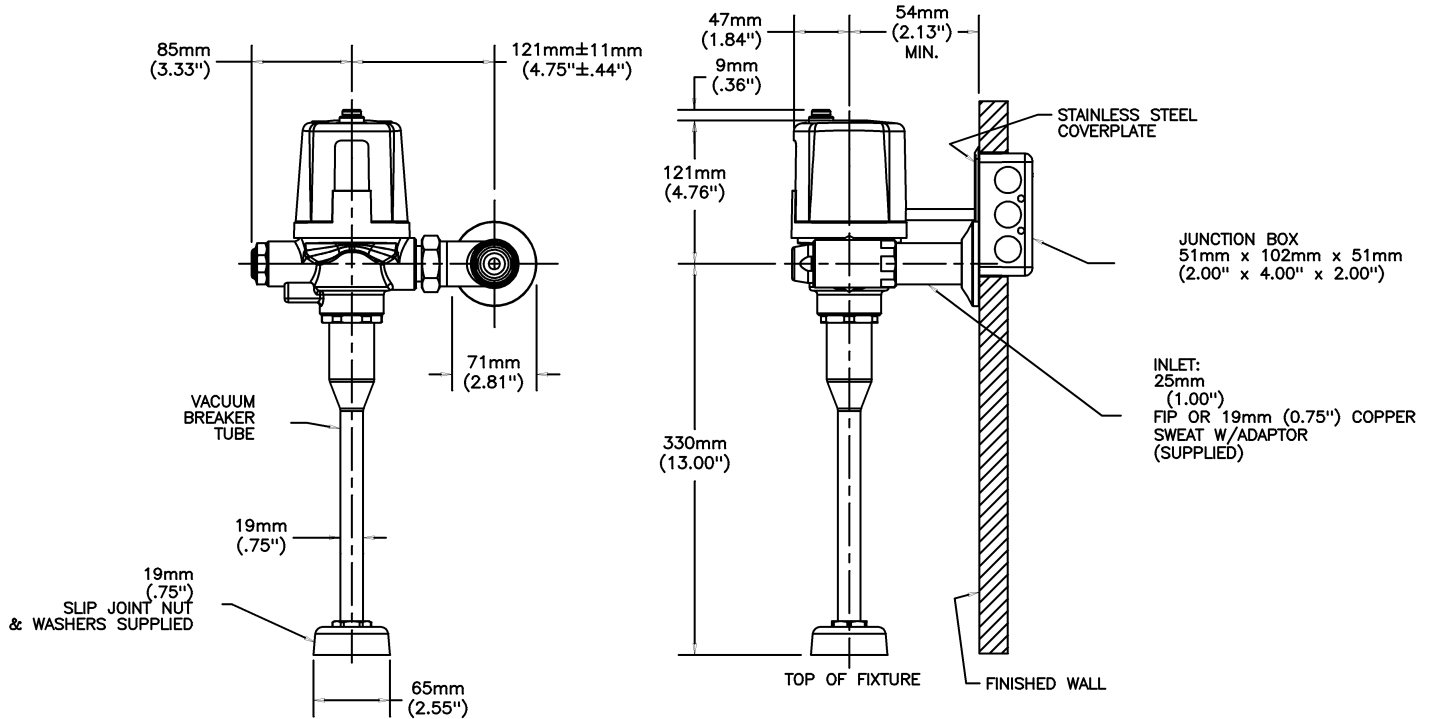
- Not Available

***(Dimensional drawing on following page)***

Delta reserves the right (1) to make changes to specifications and materials, and (2) to change or discontinue models, both without notice or obligation. Dimensions are for reference. Measurement may vary plus or minus 6mm(0.25"). Mounting locations are suggested only. Check with local codes for requirements in your area. This spec was produced February 05, 2013.

Delta Faucet Company - 55 East 111th St. - Indianapolis, Indiana, USA 46280 - (317) 848-1812  
Delta Faucet Canada - 395 Matheson Blvd E - Mississauga, Ontario, Canada L4Z 2H2 - (905) 712-3030

Teck® flushometer valves are designed to operate at any supply pressure between 10 psi and 125 psi in accordance with CSA B125. The Teck® flush valve delivers the industry's highest peak flows to enhance bowl scrubbing. At high water pressures, splash out, noise or reduced life of plumbing components may be observed with a few models of water closet or urinal fixtures. To minimize or eliminate these effects, select a different model of water closet or urinal from the same or another manufacturer, or install a pressure reducing valve. If the installation does not allow for either of these options, the control stop adjusting screw may be used to reduce pressure to the valve.



Delta reserves the right (1) to make changes to specifications and materials, and (2) to change or discontinue models, both without notice or obligation. Dimensions are for reference. Measurement may vary plus or minus 6mm(0.25"). Mounting locations are suggested only. Check with local codes for requirements in your area. This spec was produced February 05, 2013.