



GERBER

www.gerberonline.com

ULTRA FLUSH™ 1.28 GPF Elongated Toilet

10" Rough-In

Features:

□ HE-21-311

- Vitreous china
- Recommended 35 PSI minimum operating pressure
- Sloan Flushmate pressure vessel
- 10" rough-in
- Pressurized flushing action
- Elongated bowl
- Dual-fed siphon jet action bowl (no splashing)
- 2" fully glazed trapway for effective waste removal
- Front tank lever
- 6 point tank to bowl connection for tank stability
- Sanitary bead for easy cleaning
- Color matched bolt caps included
- Toilet seat not included



Technical Information:

Included Components:

- Combination HE-21-311
- Bowl HE-21-372
- Tank HE-28-385

Fixtures:

Configuration	two-piece, elongated
Water per Flush	1.28 gpf (4.8 lpf)
Rough-In	10"
Height	28 3/8"
Width	20 1/8"
Depth	28 1/4"
Trapway	2"
Large Water Surface	8 7/8" x 6 5/8"
Shipping Weight	90 lbs

Optional Accessories: (to be purchased separately)

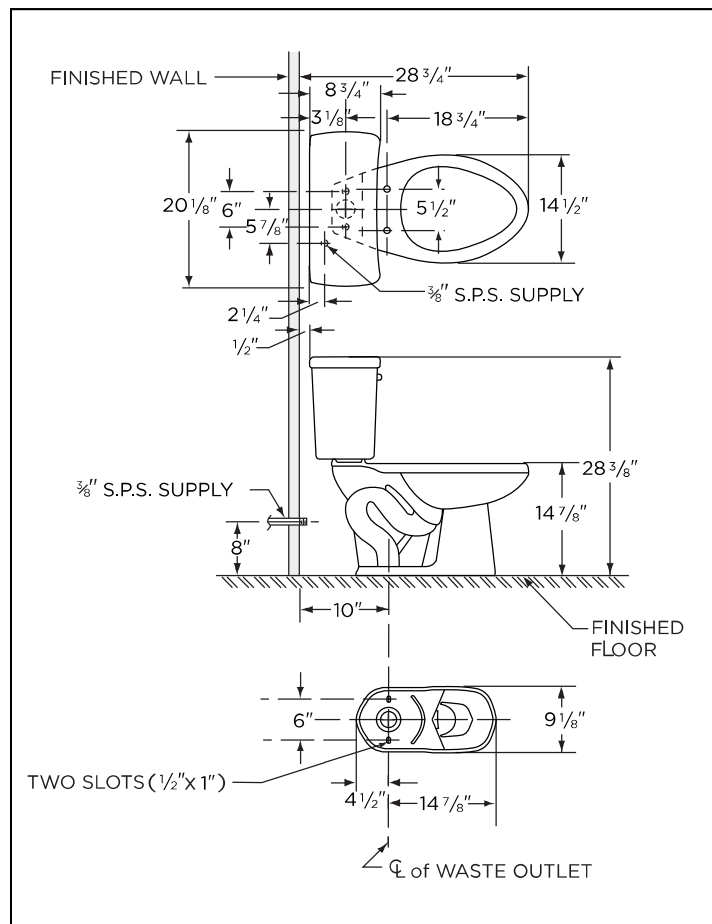
Soft Close Toilet Seat	99-213
------------------------	--------

Colors/Finishes:

- White

Warranty:

- 10 year warranty on Pressure Vessel, Limited Lifetime Warranty on Vitreous China



HIGH EFFICIENCY TOILET

HET



NOTES: All dimensions are in inches. Illustrations may not be drawn to scale.

IMPORTANT:

Dimensions of fixtures are nominal and may vary within the range of tolerances established by ASME standard A 112.19.2 THIS FIXTURE QUALIFIES ACCORDING TO ASME TEST PROCEDURES AS A HIGH EFFICIENCY WATER CLOSET WITH AN AVERAGE CONSUMPTION OF 1.28 gpf (4.8 Lpf) OR LESS.